

**TM-ZF360 41102210021A FRAME/SL,MANUAL**

PB2000012-01 POWER TAKE OFF & PUMP (ZF300,ZF360)  
PK2000313-00 FRAME UNIT  
PO1000122-01 INDICATION PLATES  
PY1000373-00 OPTIONS  
ASSEMBLY

www.AutoEPC.com

- POWER TAKE OFF
- パワー テイク オフの選定

指示番号 key No.	CARRIER MAKER キャリア メーカー
1	mitsubishi ミツビシ
2	HINO ヒノ
3	ISUZU イズズ
4	NISSAN ニッサン

[NOTE]

- (1) SOME TYPES OF THE CARRIER ARE EQUIPPED WITH THE MANUFACTURER'S GENUINE POWER TAKE OFF.
- (2) POWER TAKE OFF FOR EXPORT IS SUPPLIED FROM THE CARRIER MANUFACTURE.

[注 意]

- (1) パワーテイクオフは車種によってメーカー純正品があります。
- (2) 海外向けのパワーテイクオフは、車両メーカー品です。

- PUMP
- ポンプの選定

指示番号 key No.	PUMP MODEL ポンプ型式番号
5	SGP1-32L

[NOTE]

- (1) PUMP MODEL NOS. ARE PUNCHED ON PUMP NAMEPLATE.

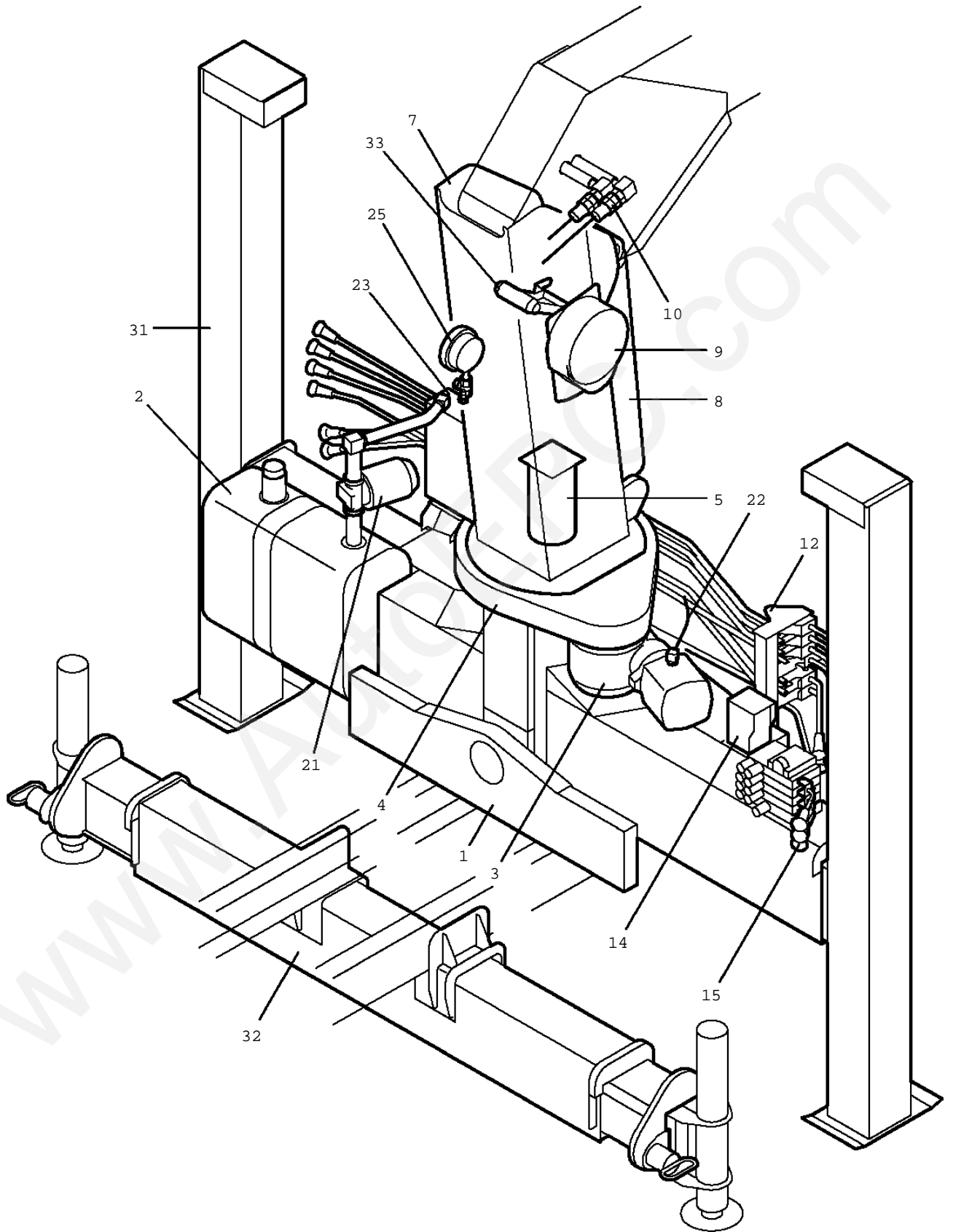
[注 意]

- (1) ポンプ型式番号はポンプ本体の銘板に打刻しています。

**TM-ZF360 41102210021A FRAME/SL,MANUAL**

Pos No.	Parts No	Parts Name	Qty	Unit	Technical Data	Serial	
1	31790780000	POWER TAKE OFF	1				
	31790950000	POWER TAKE OFF	1				
	31791000000	POWER TAKE OFF	1				
	31791310000	POWER TAKE OFF	1				
	31791360000	POWER TAKE OFF	1				
	36400950000	POWER TAKE OFF	1				
	36401040000	POWER TAKE OFF	1				
	36400940000	POWER TAKE OFF	1				
	31791960000	POWER TAKE OFF	1				
	31791720000	POWER TAKE OFF	1				
	31791560000	POWER TAKE OFF	1				
	31791550000	POWER TAKE OFF	1				
	31790940000	POWER TAKE OFF	1				
	31790770000	POWER TAKE OFF	1				
	31790810000	POWER TAKE OFF	1				
	52130202001	POWER TAKE OFF	1				
	2	31791550000	POWER TAKE OFF	1			
		31790960000	POWER TAKE OFF	1			
		31791560000	POWER TAKE OFF	1			
		31790940000	POWER TAKE OFF	1			
31791490000		POWER TAKE OFF	1				
31790930000		POWER TAKE OFF	1				
31790690000		POWER TAKE OFF	1				
31791360000		POWER TAKE OFF	1				
31790920000		POWER TAKE OFF	1				
3		31791370000	POWER TAKE OFF	1			
	31791380000	POWER TAKE OFF	1				
	31791580000	POWER TAKE OFF	1				
	31791020000	POWER TAKE OFF	1				
	(*****)	POWER TAKE OFF	1				
	31790980000	POWER TAKE OFF	1				
4	31790910000	POWER TAKE OFF	1				
	(*****)	POWER TAKE OFF (PACKING)	1				
	31790740000	POWER TAKE OFF	1				
	31790830000	POWER TAKE OFF	1				
	31790840000	POWER TAKE OFF	1				
	31790850000	POWER TAKE OFF	1				
	31790750000	POWER TAKE OFF	1				
5	36652730000	PUMP, HYDRAULIC (LEFT, SPLINE 13)	1				

TM-ZF360 41102210021A FRAME/SL, MANUAL  
PK2000313-00 FRAME UNIT



**TM-ZF360 41102210021A FRAME/SL,MANUAL**

Pos No.	Parts No	Parts Name	Qty	Unit	Technical D
1	(***** )	FRAME	1		
2	(***** )	TANK SUPPORT INSTALLATION	1		
3	(***** )	REDUCER,SWING SPEED (MOUNT)	1		
4	(***** )	COVER,SWING FRAME	1		
5	(***** )	JOINT,ROTARY (MOUNT)	1		
7	(***** )	SWING FRAME	1		
8	(***** )	CYLINDER,ELEVATING	1		
9	(***** )	MOUNT,WINCH	1		
	(***** )	MOUNT,WINCH	1		
10	(***** )	PIPING,HYDRAULIC UPPER	1		
	(***** )	PIPING,HYDRAULIC UPPER	1		
12	(***** )	OPE.ASSY,CONT.VALVE (CRANE)	1		
14	(***** )	ELECTRICAL ACCESSORIES	1		
15	(***** )	OPE.ASSY,CONT.VALVE (WINCH)	1		
21	(***** )	PIPING,LOWER (CRANE)	1		
	(***** )	PIPING,LOWER (CRANE)	1		
22	(***** )	PIPING,SWING	1		
	(***** )	PIPING,SWING	1		
	(***** )	PIPING,SWING	1		
23	(***** )	PIPING,LOWER (VALVE,NABCO)	1		
	(***** )	PIPING,LOWER (VALVE,SANWA)	1		
25	36682160000	METER,LOAD (2.9TON NAGANO/ENG.& JAPANESE)	1		
	36682400000	METER,LOAD (3.0TON ENG.&RUSSIAN/NAGANO)	1		
	36683350000	METER,LOAD (7000IDS ENGLISH/NAGANO)	1		
	36682940000	METER,LOAD (3.2TON ENG.&CHINESE/NAGANO)	1		
	36682740000	METER,LOAD (3.0TON NAGANO/FRENCH)	1		
	36682150000	METER,LOAD (2.9TON KUSABA/ENG.& JAPANESE)	1		
	36682270000	METER,LOAD (3.0TON NAGANO/ENGLISH)	1		
31	(***** )	OUTRIGGER (FOR 6-7TON)	1		
	(***** )	OUTRIGGER (FOR 4TON)	1		
32	(***** )	OUTRIGGER,REAR (ROTARY)	1		
33	(***** )	DETECTOR,DISORDERLY WINDING	1		

TM-ZF360 41102210021A FRAME/SL,MANUAL  
PO1000122-01 INDICATION PLATES

メイバン  
INDICATION PLATES

【組立名称一覧】より選択してください。

SEE THE CORRESPONDING "ASSEMBLY NAME" LIST.

**TM-ZF360 41102210021A FRAME/SL,MANUAL**

Pos No.	Parts No	Parts Name	Qty	Unit	Technical Data
1	(***** )	PLATE ASSY,NAME (JAPANESE)	1		
2	(***** )	PERFORMANCE DATA (ZF363SL,DAY CAB/JPN)	1		
	(***** )	PERFORMANCE DATA (ZF363SL,WB=3700/JPN)	1		
3	(***** )	PERFORMANCE DATA (ZF364SL,DAY CAB/JPN)	1		
	(***** )	PERFORMANCE DATA (ZF364SL,WB=3700/JPN)	1		
4	(***** )	PERFORMANCE DATA (ZF365SL,DAY CAB/JPN)	1		
	(***** )	PERFORMANCE DATA (ZF365SL,WB=3700/JPN)	1		
5	(***** )	PERFORMANCE DATA (ZF366SL,7TON)	1		
	(***** )	PERFORMANCE DATA (ZF366SL,WB=3700/JPN)	1		

www.AutoEPC.com

TM-ZF360 41102210021A FRAME/SL,MANUAL  
PY1000373-00 OPTIONS

トクベツ ショウ  
OPTIONS

【組立名称一覧】より選択してください。

SEE THE CORRESPONDING "ASSEMBLY NAME" LIST.



**TM-ZF360 41102210021A FRAME/SL,MANUAL**

Pos No.	Parts No	Parts Name	Qty	Unit
1	(*****)	REMOTE CONTROL (KIT)	1	
2	(*****)	RADIO CONTROL (PARTS)	1	
3	(*****)	PARTS ASSY,RADIO CONTROLLER (KIT:LED/SANWA)	1	
	(*****)	PARTS ASSY,RADIO CONTROLLER (KIT:LED/NACHI)	1	
4	(*****)	RADIO CONTROLLER ASSY (F:LED/WITHOUT HOOK-IN,-#EE4307)	1	
	(*****)	RADIO CONTROLLER ASSY (F:LED/WITHOUT HOOK-IN,#EE4308-)	1	
5	(*****)	RADIO CONTROLLER ASSY (F:LED/WITH HOOK-IN,-#EE4307)	1	
	(*****)	RADIO CONTROLLER ASSY (F:LED/WITH HOOK-IN,#EE4308-)	1	
6	(*****)	PARTS,BML (5,6 SECT.HOOK-IN)	1	
	(*****)	PARTS,BML (5,6 SECT.MANUAL)	1	
	(*****)	PARTS,BML (5,6 SECT.RADICON HOOK-IN)	1	
	(*****)	PARTS,BML (3,4 SECT.MANUAL)	1	
	(*****)	PARTS,BML (3,4 SECT.HOOK-IN)	1	
	(*****)	PARTS,BML (3,4 SECT.RADICON HOOK-IN)	1	
7	(*****)	PARTS,AWL	1	
	(*****)	PARTS,AWL	1	
	(*****)	PARTS,AWL	1	
	(*****)	PARTS,AWL (5.6 SECT./ZF360SLM:EE4308-)	1	
	(*****)	PARTS,AWL (2-4 SECT./ZF360SLM:EE4308-)	1	
	(*****)	PARTS,AWL	1	
	(*****)	PARTS,AWL (5,6 SECT./RADICON OR MH)	1	
	(*****)	PARTS,AWL (2-4 SECT./RADICON OR MH)	1	
	(*****)	PARTS,AWL	1	
8	36802760000	ANTENNA (15M.TRAVELLING TYPE C,D,E)	1	
	36800150000	ANTENNA (15M.TRAVELLING TYPE A,B)	1	
9	36800280000	CABLE,REMOTE CONTROL (T,OPTION 20M)	1	
10	(*****)	HOOK	1	
11	(*****)	HOOK (3TON SL WINCH, 2-PART LINE/MOUNT)	1	
12	(*****)	DETECTOR,DISORDERLY WINDING	1	
13	(*****)	ROPE,GUIDE	1	
14	(*****)	OUTRIGGER,REAR (ROTARY)	1	
15	(*****)	WINCH (4TON SELF, REMOCON)	1	
	(*****)	WINCH (4TON SELF)	1	
	(*****)	WINCH (3TON SELF, REMOCON)	1	
	(*****)	WINCH (5TON SELF)	1	
	(*****)	WINCH (4TON SELF, RADICON)	1	
	(*****)	WINCH (3TON SELF, RADICON)	1	
	(*****)	WINCH (DRUM FREE)	1	
16	(*****)	PLATE (355X355,H=80)	1	
17	(*****)	LAMP (MOUNT,POST/24V-60W)	1	
18	(*****)	LAMP (MOUNT,BOOM/24V-45W)	1	
19	(*****)	ALARM SYSTEM	1	
	(*****)	ALARM SYSTEM	1	
	(*****)	ALARM SYSTEM	1	
	(*****)	ALARM SYSTEM	1	
	(*****)	ALARM SYSTEM	1	
	(*****)	ALARM SYSTEM	1	
20	(*****)	ELEC.ASSY	1	
	(*****)	ELEC.ASSY	1	
21	(*****)	ELEC.ASSY (AWL LAMP)	1	
22	(*****)	JOINT,ROTARY (RING ASSY,SLIP)	1	
23	(*****)	PLATE ASSY,NAME (FOR FIXING AWL)	1	

# TM-ZF360 41102210021A FRAME/SL,MANUAL

PB1030015-02 POWER TAKE OFF  
PB1030043-02 POWER TAKE OFF  
PB1030048-00 POWER TAKE OFF  
PB1030083-02 POWER TAKE OFF  
PB1030091-01 POWER TAKE OFF  
PB1030093-01 POWER TAKE OFF  
PB1030096-00 POWER TAKE OFF (PACKING)  
PB1030103-04 POWER TAKE OFF  
PB1030104-01 POWER TAKE OFF  
PB1030105-01 POWER TAKE OFF  
PB1030106-01 POWER TAKE OFF  
PB1030107-02 POWER TAKE OFF  
PB1030108-02 POWER TAKE OFF  
PB1030109-02 POWER TAKE OFF  
PB1030111-00 POWER TAKE OFF  
PB1030112-00 POWER TAKE OFF  
PB1030113-02 POWER TAKE OFF  
PB1030114-03 POWER TAKE OFF  
PB1030115-00 POWER TAKE OFF  
PB1030118-02 POWER TAKE OFF  
PB1030127-01 POWER TAKE OFF  
PB1030128-01 POWER TAKE OFF  
PB1030135-02 POWER TAKE OFF  
PB1030136-02 POWER TAKE OFF  
PB1030137-02 POWER TAKE OFF  
PB1030138-01 POWER TAKE OFF  
PB1030141-01 POWER TAKE OFF  
PB1030142-02 POWER TAKE OFF  
PB1030145-02 POWER TAKE OFF  
PB1030146-01 POWER TAKE OFF  
PB1030147-02 POWER TAKE OFF  
PB1030153-01 POWER TAKE OFF  
PB1030166-01 POWER TAKE OFF  
PB1030187-01 POWER TAKE OFF  
PB1100099-00 PUMP, HYDRAULIC (LEFT, SPLINE 13)  
PB1130109-02 TANK, OIL  
PB1300177-03 JOINT, ROTARY (MOUNT)  
PB1300181-01 JOINT, ROTARY  
PB1300301-01 JOINT, ROTARY  
PB1300430-01 JOINT, ROTARY (RING ASSY, SLIP)  
PB1320304-02 VALVE, MANUAL CONTROL (NABCO)  
PB1320305-02 VALVE, MANUAL CONTROL (NABCO)  
PB1320397-01 VALVE, MANUAL CONTROL (SANWA)  
PB1380052-00 POWER SUPPLY  
PB1400186-01 PIPING, HYDRAULIC UPPER  
PB1400251-00 PIPING, HYDRAULIC UPPER  
PB1410659-00 PIPING, LOWER (VALVE, NABCO)  
PB1410660-00 PIPING, LOWER (VALVE, SANWA)  
PB1410665-00 PIPING, LOWER (SELF WINCH 3T, OP)  
PB1410666-00 PIPING, LOWER (SELF WINCH 4T, OP)  
PB1410912-01 PIPING, LOWER (REPLACE FILTER)  
PB1410913-00 PIPING, LOWER (CRANE)  
PB1410914-00 PIPING, LOWER (CRANE)  
PB1411316-00 PIPING, LOWER (NACHI)  
PB1411897-00 PIPING, LOWER (SANWA)  
PB1411940-00 PIPING, LOWER (REMOTE CONTROL VALVE)  
PB1910115-00 PIPING (VALVA, MANUAL CONTROL)  
PC1010449-02 OUTRIGGER (FOR 4TON)  
PC1010450-03 OUTRIGGER  
PC1010451-02 OUTRIGGER  
PC1010452-02 OUTRIGGER (FOR 6-7TON)  
PC1010453-02 OUTRIGGER  
PC1010454-02 OUTRIGGER (LEFT, FOR 6-7TON)  
PC1010455-01 OUTRIGGER (REAR)  
PC1020015-00 OUTRIGGER, REAR (ROTARY)  
PC1030137-01 CYLINDER, JACK (REAR OUTRIGGER)  
PC1030214-03 CYLINDER, JACK (MIN=1440)  
PC1050119-01 CYLINDER, EXTENSION (WELDED STRUCTURE)  
PC1190020-00 INDICATOR, OUTRIGGER  
PC1190021-00 INDICATOR, OUTRIGGER  
PC1190022-00 INDICATOR, OUTRIGGER  
PC1200272-00 PIPING, OUTRIGGER (WITH POWER SUPPLY)  
PC1230021-03 PIPING, REAR JACK (2, ROTARY)  
PC5410006-03 CONTROL UNIT  
PD1010062-01 REDUCER, SWING SPEED

# TM-ZF360 41102210021A FRAME/SL,MANUAL

PD1010088-02 REDUCER,SWING SPEED (MOUNT)  
PD1010133-00 REDUCER,SWING SPEED  
PD1010172-00 REDUCER,SWING SPEED  
PD1200090-01 PIPING,SWING  
PD1200121-00 PIPING,SWING  
PD1200127-00 PIPING,SWING  
PE1010183-02 CYLINDER,ELEVATING  
PE5020094-00 ELEC.ASSY  
PE5020095-00 ELEC.ASSY (CRANE/SWITCH)  
PE5020096-00 ELEC.ASSY (CRANE/HARNESS)  
PE5020097-00 ELEC.ASSY (CRANE/HARNESS)  
PE5020098-00 ELEC.ASSY (CARRIER)  
PE5020099-00 ELEC.ASSY (FRAME)  
PE5020100-00 ELEC.ASSY (FRAME)  
PE5020101-00 ELEC.ASSY (AWL LAMP)  
PE5020102-00 ELEC.ASSY  
PE5020103-00 ELEC.ASSY  
PF1010128-02 WINCH (OOKUBO)  
PF1010131-01 WINCH (DRUM FREE,OPTION)  
PF1010132-00 WINCH (SELF 3TX1,OPTION)  
PF1010133-01 WINCH (DRUM FREE)  
PF1010134-01 WINCH (SL 3TX1)  
PF1010135-02 WINCH (HARTYS)  
PF1010167-01 WINCH (HARTYS)  
PF1010177-00 WINCH (SL 4TONX1)  
PF1010210-00 WINCH (SELF)  
PF1010229-01 WINCH (Y.G.TEC)  
PF1010237-01 WINCH (OOKUBO)  
PF1010275-00 WINCH (4TON SELF)  
PF1010277-00 WINCH (5TON SELF)  
PF1010278-00 WINCH (3TON SELF, REMOCON)  
PF1010279-00 WINCH (4TON SELF, REMOCON)  
PF1010280-00 WINCH (3TON SELF, RADICON)  
PF1010281-00 WINCH (4TON SELF, RADICON)  
PF1010299-00 WINCH (DRUM FREE)  
PF1020004-01 DRUM,WINCH  
PF1020035-00 DRUM,WINCH  
PF1050063-01 HOOK (DRUM FREE,OPTION)  
PF1050126-01 HOOK  
PF1050161-03 HOOK (1-PART LINE ,OPTION)  
PF1050223-02 HOOK (3TON SELF WINCH)  
PF1050224-01 HOOK (4TON SELF WINCH,OPTION)  
PF1050311-01 HOOK (3TON SL WINCH, 2-PART LINE/MOUNT)  
PF1050447-00 HOOK  
PF1050540-02 HOOK (5TON)  
PF1080001-00 SUPPORT (DRUM FREE,OPTION)  
PF1180053-00 DETECTOR,DISORDERLY WINDING  
PF1200188-01 PIPING,WINCH (DRUM FREE,OPTION)  
PF1400204-06 MOUNT,WINCH  
PF1400262-01 MOUNT,WINCH  
PG1130016-02 DETECTOR,BOOM LENGTH  
PG1130086-01 DETECTOR,BOOM LENGTH (BML,OPTION)  
PG1130086-01 DETECTOR,BOOM LENGTH (BML,OPTION)  
PG1130134-00 DETECTOR,BOOM LENGTH  
PG1130135-00 DETECTOR,BOOM LENGTH  
PG1130144-00 DETECTOR,BOOM LENGTH (MOUNT)  
PG1130145-00 DETECTOR,BOOM LENGTH (MOUNT)  
PH1010007-01 DETECTOR,LOAD (BML,OPTION)  
PH1010008-00 DETECTOR,LOAD  
PH1060266-01 DETECTOR,OVER WINDING (OPTION)  
PH1100053-00 DETECTOR,OVER FRONT AREA (BML,OPTION)  
PH1250033-01 MOMENT LIMITER (BML-PB)  
PH1250115-00 MOMENT LIMITER (BML)  
PH1350007-00 WORKING AREA LIMITER (AWL-N)  
PH1350007-00 WORKING AREA LIMITER (AWL-N)  
PH1350007-00 WORKING AREA LIMITER (AWL-N)  
PH1350007-00 WORKING AREA LIMITER (AWL-N)  
PH1350007-00 WORKING AREA LIMITER (AWL-N)  
PI1010058-00 MOTOR,HYDRAULIC (WINCH)  
PI1010078-01 MOTOR,HYDRAULIC (SWING)  
PI1010085-01 MOTOR,HYDRAULIC  
PI1010086-00 MOTOR,HYDRAULIC  
PI1010087-00 MOTOR,HYDRAULIC (WINCH)  
PI1120241-00 VALVE,SOLENOID  
PI1190010-01 VALVE,PRESSURE REGULATOR (SELF WINCH)

# TM-ZF360 41102210021A FRAME/SL,MANUAL

PI1250040-02 VALVE,COUNTERBALANCE  
PI1250073-01 VALVE,COUNTERBALANCE (ELEVATING)  
PI1280060-03 VALVE,PILOT CHECK  
PI1280066-01 VALVE,PILOT CHECK  
PI1280067-00 VALVE,PILOT CHECK  
PI1300061-02 FILTER,OIL (YAMASHIN)  
PI1330006-00 VALVE,DIVIDING & COMBINING (MURAKAMI)  
PI1440017-00 METER,LOAD (3.0TON NAGANO/FRENCH)  
PI1440020-00 METER,LOAD (3.0TON NAGANO/ENGLISH)  
PI1440021-00 METER,LOAD (3.0TON ENG.&RUSSIAN/NAGANO)  
PI1440022-00 METER,LOAD (3.2TON ENG.&CHINESE/NAGANO)  
PI1440023-00 METER,LOAD (7000IDS ENGLISH/NAGANO)  
PI1440035-01 METER,LOAD (2.9TON KUSABA/ENG.& JAPANESE)  
PI1440036-01 METER,LOAD (2.9TON NAGANO/ENG.& JAPANESE)  
PK1010385-00 FRAME  
PK1100192-00 SWING FRAME  
PK1200221-00 COVER,SWING FRAME  
PL1010595-02 OPE.ASSY,CONT.VALVE (WINCH)  
PL1010601-02 OPE.ASSY,CONT.VALVE (CRANE)  
PL1010611-01 OPE.ASSY,CONT.VALVE (SL)  
PL1010746-00 OPE.ASSY,CONT.VALVE (RADICON)  
PL1010747-00 OPE.ASSY,CONT.VALVE (RADICON)  
PL1030507-01 OPERATION SYSTEM, ACCELERATOR  
PN1011420-00 ELEC.ASSY (REMOTE CONTROL)  
PN1011422-02 ELEC.ASSY (LOWER,LAMP)  
PN1011423-03 ELEC.ASSY (UPPER,LAMP/POST)  
PN1011425-01 ELEC.ASSY (DRUM FREE,OP.)  
PN1011426-02 ELEC.ASSY (UPPER,LAMP/BOOM)  
PN1011427-00 ELEC.ASSY (ALARM,UPPER)  
PN1011525-01 ELECTRICAL ACCESSORIES  
PN1011527-01 ELEC.ASSY (SELF WINCH)  
PN1011685-01 ELEC.ASSY (ALARM,UPPER)  
PN1011777-00 ELEC.ASSY (ALARM,LOWER)  
PN1011778-01 ELEC.ASSY (LOWAR)  
PN1011779-00 ELEC.ASSY (AWL)  
PN1011780-00 ELEC.ASSY (AWL)  
PN1011828-03 ELEC.ASSY (SL)  
PN1011829-01 ELEC.ASSY (SL)  
PN1011969-00 ELEC.ASSY (ALARM,LOWER)  
PN1011983-02 ELEC.ASSY (ALARM,UPPER)  
PN1011985-02 ELEC.ASSY (BML,OPTION)  
PN1012023-01 ELEC.ASSY (OUTRIGGER,REAR)  
PN1012225-00 ELEC.ASSY  
PN1012771-00 ELEC.ASSY (ALARM,UPPER)  
PN1012772-01 ELEC.ASSY (ALARM,UPPER)  
PN1013065-01 ELEC.ASSY (RADIO CONTROL)  
PN1013066-01 ELEC.ASSY (RADIO CONTROL)  
PN1014041-00 ELEC.ASSY  
PN1014042-00 ELEC.ASSY (SPARE HARNESS)  
PN1014043-01 ELEC.ASSY (ANTENNA)  
PN1014202-01 ELEC.ASSY (CARRIER)  
PN1014244-00 ELEC.ASSY  
PN1014341-00 ELEC.ASSY (CARRIER)  
PN1014342-00 ELEC.ASSY (CARRIER)  
PN1080213-00 LAMP (MOUNT,BOOM/24V-45W)  
PN1080214-00 LAMP (MOUNT,POST/24V-60W)  
PN1350004-01 REEL,CORD  
PN5010195-00 NAME PLATE ASSY  
PN5010239-00 NAME PLATE ASSY  
PO1012215-00 PLATE ASSY,NAME (AWL)  
PO1012450-00 PLATE ASSY,NAME (AWL)  
PO1012451-00 PLATE ASSY,NAME (DRUM FREE)  
PO1012473-02 PLATE ASSY,NAME (HOOK)  
PO1012546-01 PLATE ASSY,NAME (BML,OPTION)  
PO1012616-02 PLATE ASSY,NAME (JAPANESE)  
PO1012663-00 PLATE ASSY,NAME (BML BOOM,OPTION)  
PO1012664-00 PLATE ASSY,NAME (SELF WINCH 4T,OPTION)  
PO1012665-00 PLATE ASSY,NAME (SELF WINCH 3T,OPTION)  
PO1012666-00 PLATE ASSY,NAME (OUTRIGGER,REAR)  
PO1012675-01 PERFORMANCE DATA (ZF365SL,WB=3700/JPN)  
PO1012676-01 PERFORMANCE DATA (ZF365SL,DAY CAB/JPN)  
PO1012677-01 PERFORMANCE DATA (ZF364SL,WB=3700/JPN)  
PO1012678-01 PERFORMANCE DATA (ZF364SL,DAY CAB/JPN)  
PO1012679-01 PERFORMANCE DATA (ZF363SL,WB=3700/JPN)  
PO1012680-01 PERFORMANCE DATA (ZF363SL,DAY CAB/JPN)

# TM-ZF360 41102210021A FRAME/SL,MANUAL

PO1012681-01 PERFORMANCE DATA (ZF366SL,WB=3700/JPN)  
PO1012686-01 PERFORMANCE DATA (ZF366SL,7TON)  
PO1014437-01 PLATE ASSY,NAME (UPPER)  
PO1014489-01 PLATE ASSY,NAME  
PO1014584-01 PLATE ASSY,NAME (BOOM,ELEV. STOWING FAILURE)  
PO1014592-01 PLATE ASSY,NAME  
PO1014748-00 PLATE ASSY,NAME (FOR FIXING AWL)  
PP5150005-00 PARTS ASSY,RADIO CONTROLLER (KIT:LED/NACHI)  
PP5150006-00 PARTS ASSY,RADIO CONTROLLER (KIT:LED/SANWA)  
PR5040028-00 RADIO CONTROLLER ASSY (F:LED/WITHOUT HOOK-IN,-#EE4307)  
PR5040029-00 RADIO CONTROLLER ASSY (F:LED/WITHOUT HOOK-IN,#EE4308-)  
PR5040030-00 RADIO CONTROLLER ASSY (F:LED/WITH HOOK-IN,-#EE4307)  
PR5040031-00 RADIO CONTROLLER ASSY (F:LED/WITH HOOK-IN,#EE4308-)  
PR5050007-00 REEL ASSY,CORD  
PR5050011-00 REEL ASSY,CORD  
PR5130002-00 RING ASSY,SLIP  
PS5530073-00 SWITCH ASSY (GREEN:PANASONIC)  
PS5530074-00 SWITCH ASSY (PLANTING:NACC)  
PS5530075-00 SWITCH ASSY (GREEN:PANASONIC)  
PV1010025-00 REMOTE CONTROL (KIT)  
PV1020077-00 VALVE,REMOTE CONTROL (SANWA)  
PV1020113-00 VALVE,REMOTE CONTROL (SANWA)  
PV1020163-02 VALVE,REMOTE CONTROL (SANWA)  
PV1020230-03 VALVE,REMOTE CONTROL (NACHI)  
PV1020351-00 VALVE,REMOTE CONTROL  
PV1020366-00 VALVE,REMOTE CONTROL  
PV1030014-05 SWITCH BOX (RADIO CONTROL.M2.TYPE-B)  
PV1030080-04 SWITCH BOX (RADIO CONTROL,LED TYPE)  
PV1030089-00 SWITCH BOX  
PV1030090-00 SWITCH BOX  
PV1030107-00 SWITCH BOX (SELF WINCH RADIO CONTROL)  
PV1040013-02 CONTROL BOX (RADIO CONTROL.M2.B)  
PV1040032-01 CONTROL BOX (SELF WINCH RADIO CONTROL)  
PV1040093-03 CONTROL UNIT  
PV1040099-00 CONTROL UNIT  
PV1050009-00 CYLINDER,ACCELERATOR(NACHI)  
PV1050011-00 CYLINDER,ACCELERATOR  
PV1070133-00 RADIO CONTROL (PARTS)  
PV1070398-00 RADIO CONTROL (KIT:MITSUMI)  
PV1080036-00 PARTS,BML (3,4 SECT.HOOK-IN)  
PV1080037-00 PARTS,BML (3,4 SECT.MANUAL)  
PV1080038-00 PARTS,BML (3,4 SECT.RADICON HOOK-IN)  
PV1080039-00 PARTS,BML (5,6 SECT.HOOK-IN)  
PV1080040-00 PARTS,BML (5,6 SECT.MANUAL)  
PV1080041-00 PARTS,BML (5,6 SECT.RADICON HOOK-IN)  
PV1090009-00 PARTS,AWL  
PV1090010-00 PARTS,AWL  
PV1090011-00 PARTS,AWL  
PV1090012-00 PARTS,AWL  
PV1090014-00 PARTS,AWL  
PV1090026-00 PARTS,AWL (2-4 SECT./RADICON OR MH)  
PV1090027-00 PARTS,AWL (5,6 SECT./RADICON OR MH)  
PV1250002-04 STOWING BOX (REMOTE CONTROL)  
PV1250006-00 STOWING BOX (BAG,RADIO CONTROL)  
PV1250013-00 BOX,STOWING  
PV1300007-00 CABLE,REMOTE CONTROL (T,OPTION 20M)  
PV1400011-00 ANTENNA (15M.TRAVELLING TYPE A,B)  
PV1400014-02 ANTENNA (FOR RADIO CONTROL)  
PV1400014-02 ANTENNA (FOR RADIO CONTROL)  
PV1400021-01 ANTENNA (FOR RADIO CONTROL)  
PV1400024-01 ANTENNA (15M.TRAVELLING TYPE C,D,E)  
PV1400042-00 ANTENNA (FOR RADIO CONTROL)  
PV1410003-01 MOUNT,ANTENNA (FOR RADIO CONTROL)  
PW1050010-00 STOPPER,TIRE  
PW5060005-01 WINCH ASSY (Y.G.TEC)  
PX1100157-00 TANK SUPPORT INSTALLATION  
PX1940004-00 MOUNT  
PX1940184-01 MOUNT (BOOM)  
PX5010072-00 MOUNT ASSY (ANTENNA)  
PY1250015-01 SWITCH INSTALLATION (BML)  
PY1560022-01 ALARM SYSTEM  
PY1560023-01 ALARM SYSTEM  
PY1560024-01 ALARM SYSTEM  
PY1560025-01 ALARM SYSTEM  
PY1560026-01 ALARM SYSTEM

**TM-ZF360 41102210021A FRAME/SL,MANUAL**

PY1560027-01 ALARM SYSTEM

PY2060002-00 ROPE,GUIDE (OPTION)

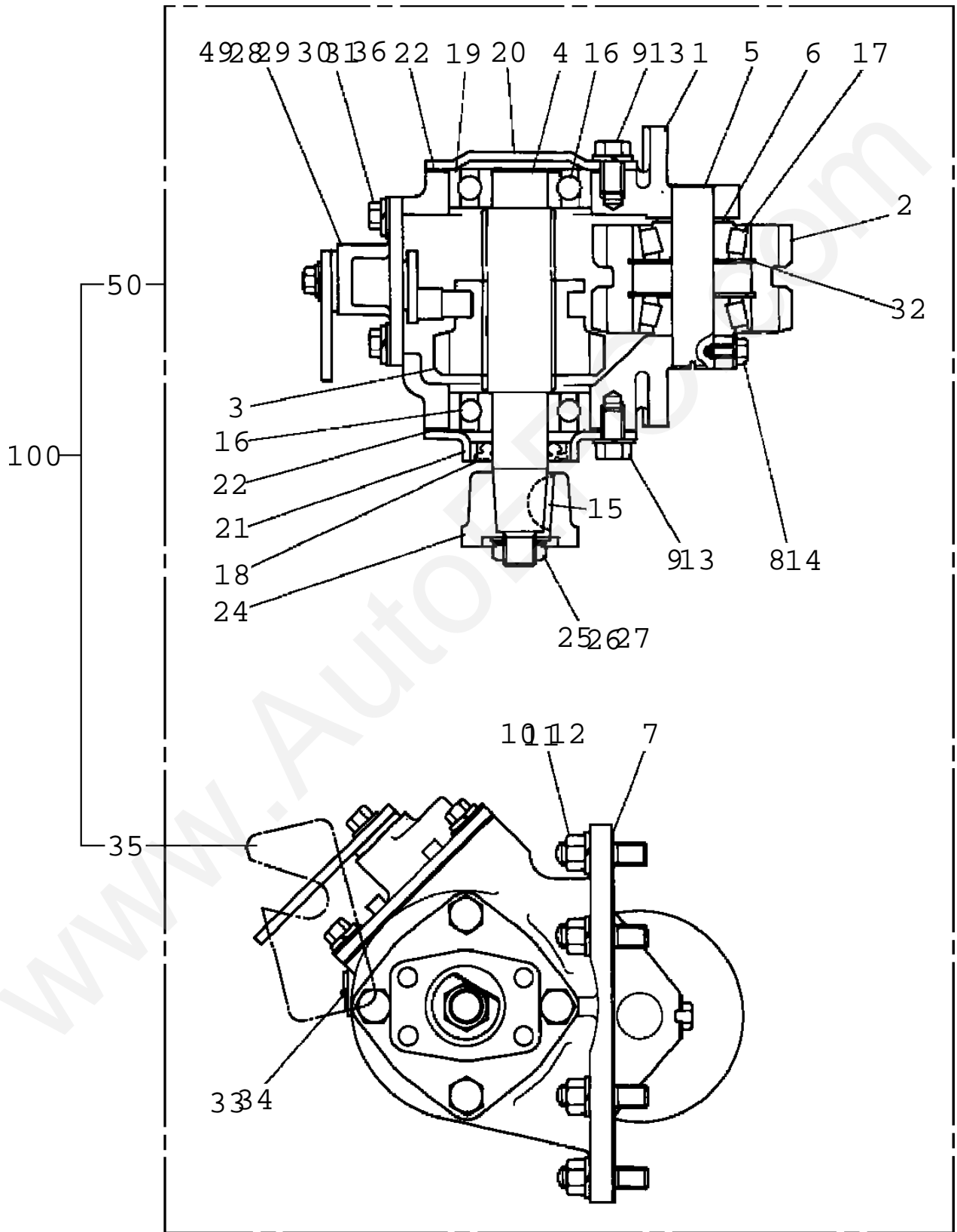
PY2060004-00 ROPE,GUIDE

PY2340011-00 PLATE (355X355,H=80)

PZ0000000-00 PARTS,AWL (2-4 SECT./ZF360SLM:EE4308-)

PZ0000000-00 PARTS,AWL (5.6 SECT./ZF360SLM:EE4308-)

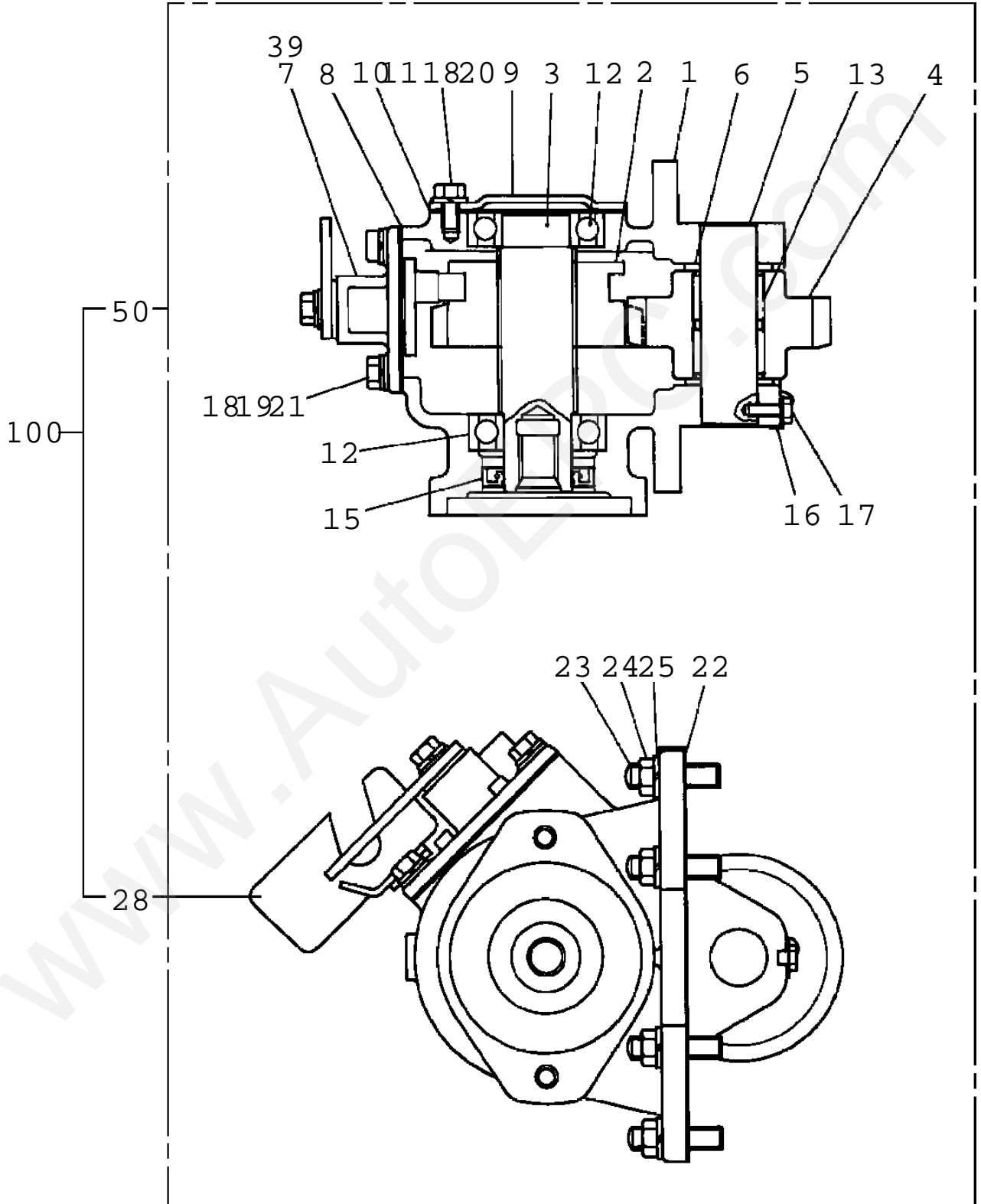
www.AutoEPC.com



**TM-ZF360 41102210021A FRAME/SL,MANUAL**

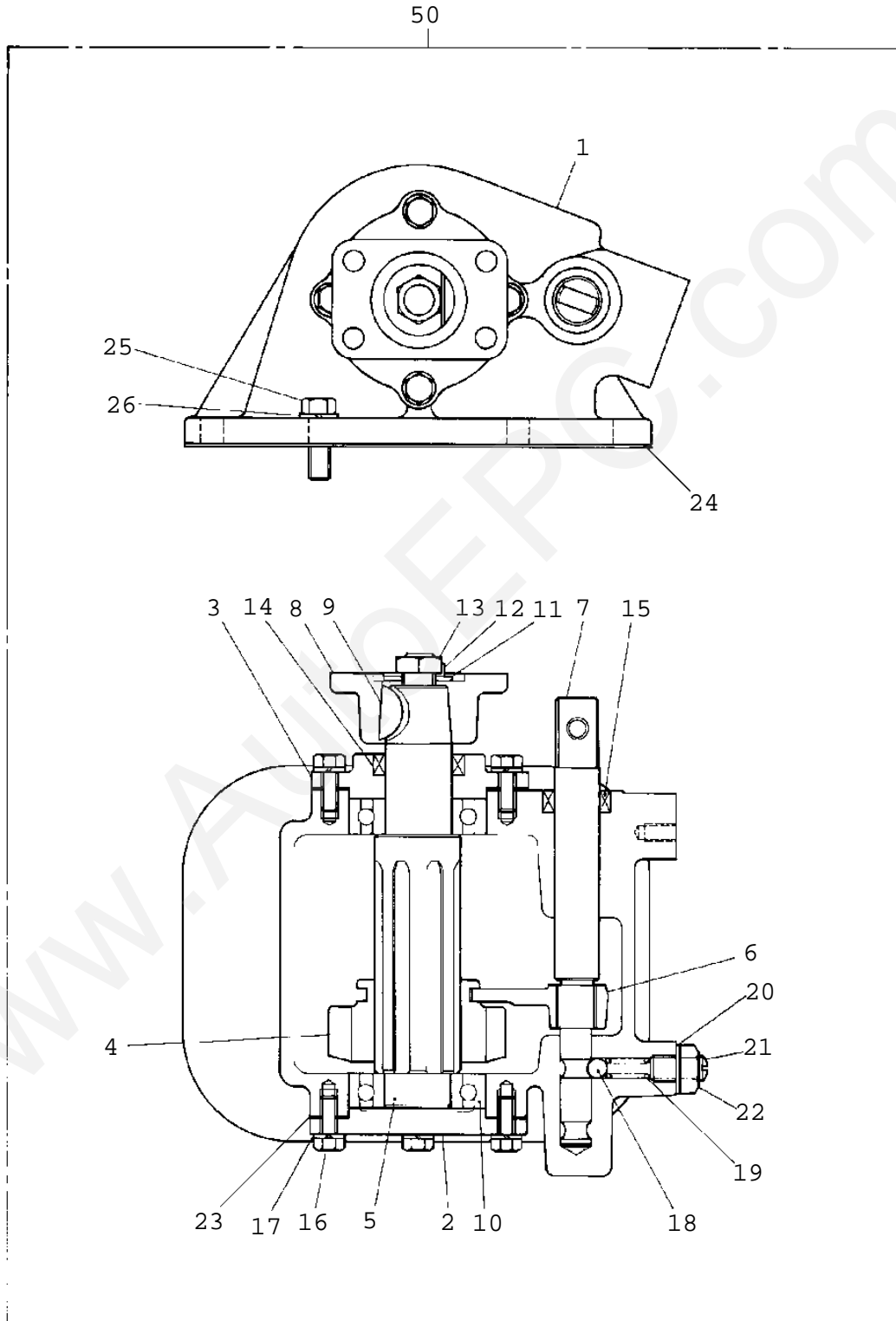
Pos No.	Parts No	Parts Name	Qty	Unit	Technical Data	Serial No (Start)	Serial No (End)
1	36400235010	CASE	1				
2	36400235020	GEAR	1				
3	36400235030	GEAR	1				
4	36400235040	SHAFT	1				
5	36400095040	SHAFT	1				
6	36400095050	COLLAR	1				
7	36400215080	PACKING (CASE)	1				
8	90101206012	BOLT	1		M6X12		
9	90191210016	BOLT	8		M10X16		
10	36400295010	BOLT	6				
11	90267201000	NUT	6		M10		
12	90302041001	WASHER,SPRING	14		10		
14	36400095130	WASHER	1				
15	36400135100	KEY	1				
16	80500006305	BEARING,BALL	2				
17	36400095120	BEARING	2				
18	91206025005	SEAL,OIL	1				
19	36400095090	SHIM	N				
20	36400235050	COVER (FRONT)	1				
21	36400235060	COVER (REAR)	1				
22	36400235070	PACKING	2				
24	36400135120	COUPLING	1				
25	36400135150	NUT	1		M4X1.5		
26	36400135090	WASHER	1				
27	36400135160	WASHER,PLAIN	1				
28	36400225110	SHIFTER SET	1				
29	36400095110	PACKING	1				
30	90191208020	BOLT	4		M8X20		
32	80602110520	RING,RITAINING	2		R52		
33	36400295020	PLATE,NAME	1				
35	31790670100	SUPPORT	1				
36	90191208025	BOLT	2		M8X25		
49	36400225160	SEAL,OIL	1				
50	36400290000	POWER TAKE OFF	1				
100	31790690000	POWER TAKE OFF	1				





**TM-ZF360 41102210021A FRAME/SL,MANUAL**

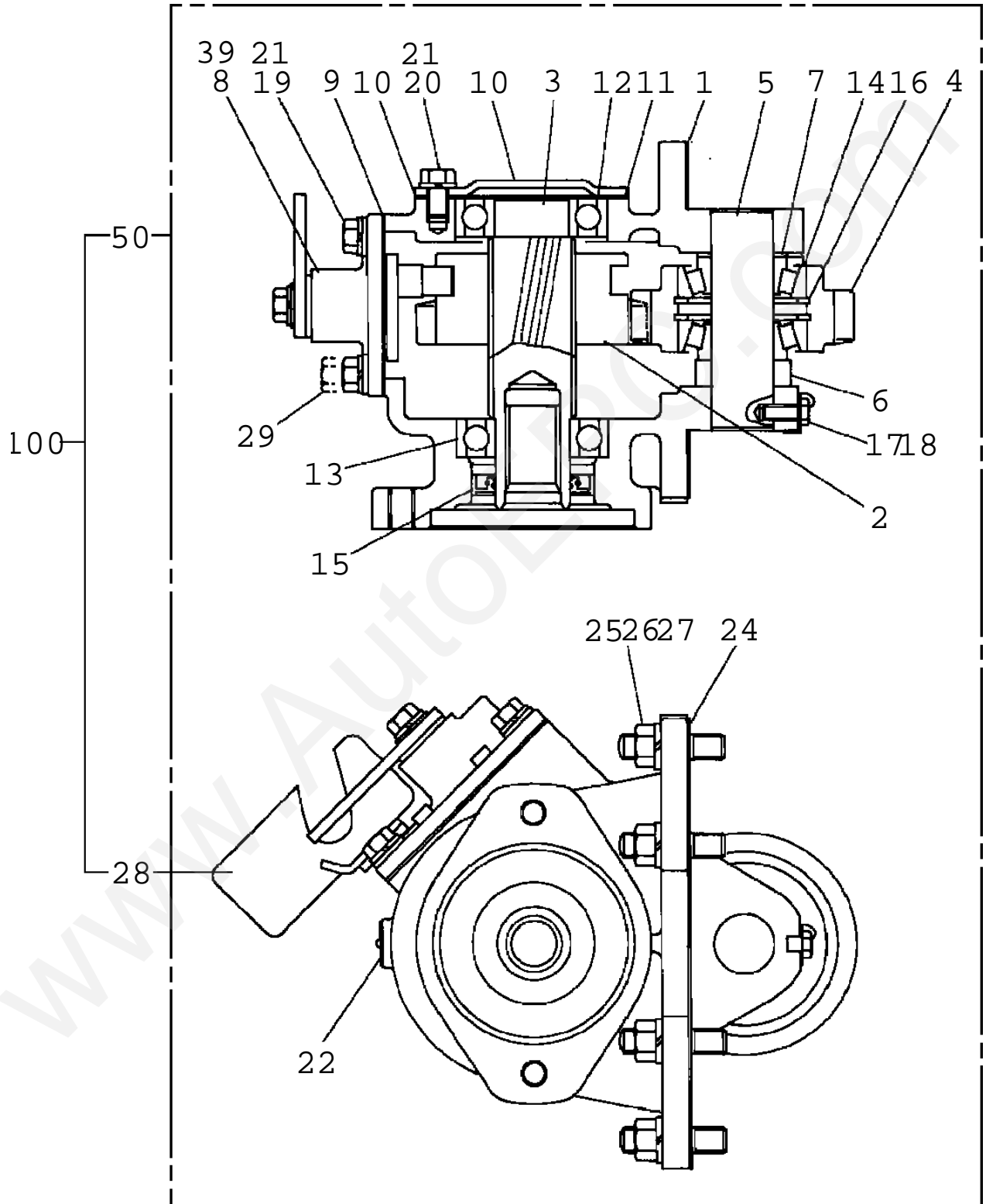
Pos No.	Parts No	Parts Name	Qty	Unit	Technical Data	Serial No (Start)	Ser
1	36400395010	CASE	1				
2	36400395020	GEAR	1				
3	36400395030	SHAFT	1				
4	36400395040	GEAR	1				
5	36400395050	SHAFT	1				
6	36400395060	COLLAR (THRUST)	1				
7	36400225110	SHIFTER SET	1				
8	36400095110	PACKING	1				
9	36400095070	COVER (BEARING)	1				
10	36400095080	PACKING (COVER)	1				
11	36400095090	SHIM	N				
12	80500006206	BEARING,BALL	2				
13	36400395070	BEARING	2				
15	91206030005	SEAL,OIL	1				
16	36400095130	WASHER	1				
17	90101206015	BOLT	1		M6X15		
18	90302040801	WASHER,SPRING	7		8		
19	90191208020	BOLT	4		M8X20		
20	90191208014	BOLT	3		M8X14		
21	90191208025	BOLT	2		M8X25		
22	36400395080	PACKING (CASE)	1				
23	36400095150	BOLT,STUD	6		M10X1.25/1.5X43		
24	90267201000	NUT	6		M10		
25	90302041001	WASHER,SPRING	6		10		
28	31790770100	SUPPORT	1				
39	36400225160	SEAL,OIL	1				
50	36400390000	POWER TAKE OFF	1				
100	31791720000	POWER TAKE OFF	1				



**TM-ZF360 41102210021A FRAME/SL, MANUAL**

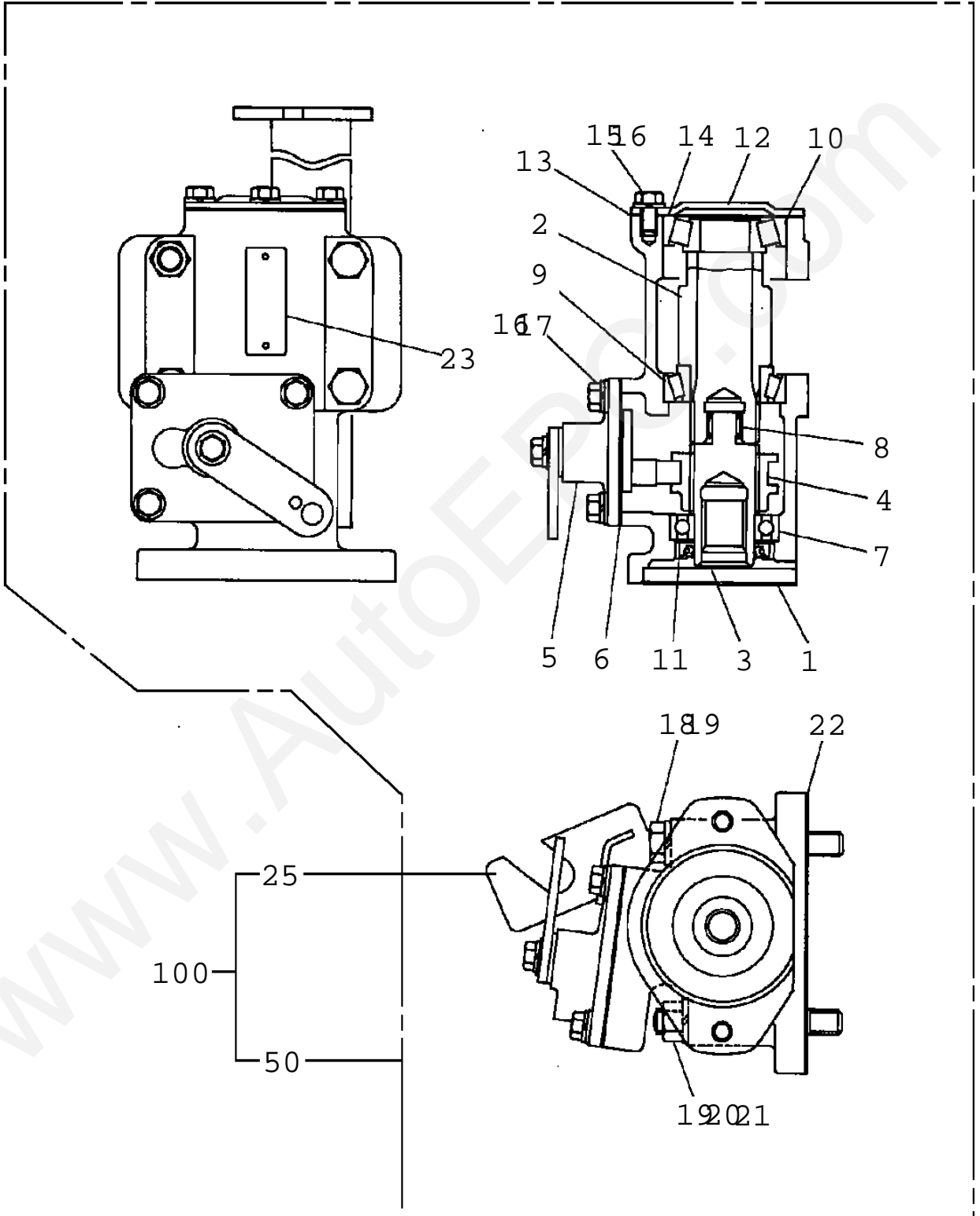
Pos No.	Parts No	Parts Name	Qty	Unit	Technical Data	Serial No (Start)	Ser
1	52130202121	CASE	1				
2	52130202320	COVER (BEARING)	1				
3	52130202330	COVER	1				
4	52130202021	GEAR	1				
5	52130202010	SHAFT (OUTPUT)	1				
6	52130202040	FORK (SHIFTER)	1				
7	52130202050	SHAFT (SHIFTER)	1				
8	52130202030	YOKE	1				
9	52430304110	KEY	1				
10	80500006206	BEARING, BALL	2				
11	36400725080	WASHER, PLAIN	1				
12	36400725050	WASHER	1				
13	36400725070	NUT	1		M14		
14	91206030009	SEAL, OIL	1				
15	91206020007	SEAL, OIL	1				
16	90191208020	BOLT	8		M8X20		
17	90302040801	WASHER, SPRING	8		8		
18	80560010000	BALL, STEEL	1		10		
19	52430604190	SPRING	1				
20	52430604180	PACKING	1				
21	52430304150	BOLT (ADJUSTING)	1				
22	90209201200	NUT	1		M12		
23	52130307290	PACKING	2				
24	52130202240	PACKING	2				
25	90191210030	BOLT	6		M10X30		
26	90302041001	WASHER, SPRING	6		10		
50	52130202001	POWER TAKE OFF	1				

www.AutoEPC.com



**TM-ZF360 41102210021A FRAME/SL,MANUAL**

Pos No.	Parts No	Parts Name	Qty	Unit	Technical Data	Serial No (Start)	Ser
1	36400715010	CASE	1				
2	36400395020	GEAR	1				
3	36400705010	SHAFT	1				
4	36400675020	GEAR	1				
5	36400395050	SHAFT	1				
6	36400675030	COLLAR	1				
7	36400675040	COLLAR	1				
8	36400225110	SHIFTER SET	1				
9	36400095110	PACKING	1				
10	36400095070	COVER (BEARING)	1				
11	36400095080	PACKING (COVER)	1				
12	36400095090	SHIM	N				
13	80500006206	BEARING,BALL	2				
14	36400675050	BEARING	2				
15	91216035002	SEAL,OIL	1				
16	80602110520	RING,RITAINING	2		R52		
17	36400095130	WASHER	1				
18	90101206015	BOLT	1		M6X15		
19	90191208020	BOLT	4		M8X20		
20	90191208014	BOLT	3		M8X14		
21	90302040801	WASHER,SPRING	7		8		
22	36400705020	PLATE,NAME	1				
24	36400395080	PACKING (CASE)	1				
25	36400095150	BOLT,STUD	6		M10X1.25/1.5X43		
26	90267201000	NUT	6		M10		
27	90302041001	WASHER,SPRING	6		10		
28	31790770100	SUPPORT	1				
29	90191208025	BOLT	2		M8X25		
39	36400225160	SEAL,OIL	1				
50	36400700000	POWER TAKE OFF	1				
100	31791310000	POWER TAKE OFF	1				

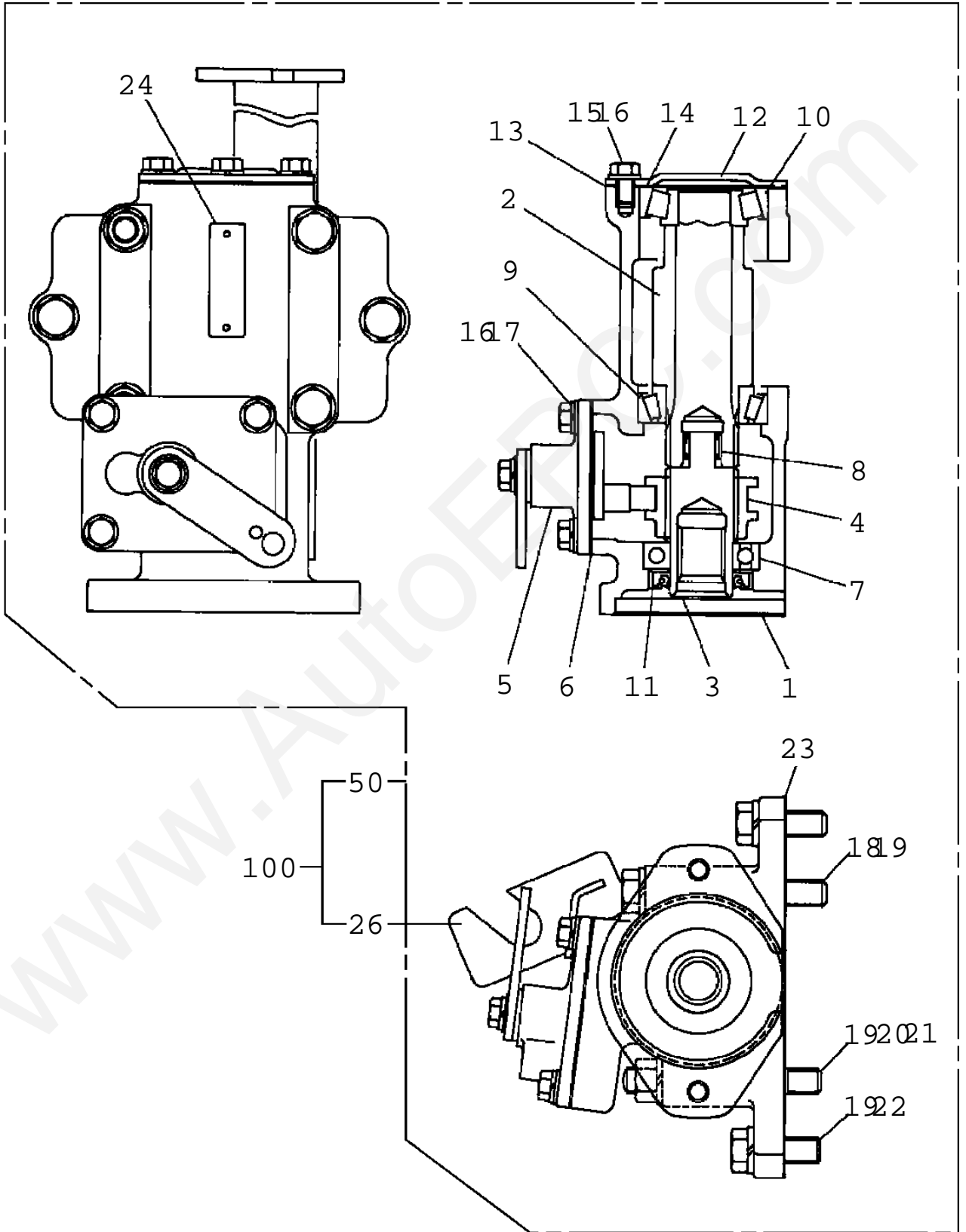


**TM-ZF360 41102210021A FRAME/SL,MANUAL**

Pos No.	Parts No	Parts Name	Qty	Unit	Technical Data	Serial No (Start)	Seri
1	36400785010	CASE	1				
2	36400765020	GEAR	1				
3	36400775010	SHAFT	1				
4	36400765040	SLEEVE	1				
5	36400095100	SHIFTER ASSY	1				
6	36400095110	PACKING	1				
7	80500006006	BEARING,BALL	1				
8	36400765050	BEARING,NEEDLE	1				
9	36400765060	BEARING	1				
10	36400765070	BEARING	1				
11	91206030005	SEAL,OIL	1				
12	36400095070	COVER (BEARING)	1				
13	36400095080	PACKING (COVER)	1				
14	36400095090	SHIM	N				
15	90191208014	BOLT	3		M8X14		
16	90302040801	WASHER,SPRING	7		8		
17	90191208020	BOLT	4		M8X20		
18	90193512090	BOLT	2				
19	90302041201	WASHER,SPRING	4		12		
20	36400785020	BOLT,STUD	2				
21	90267401200	NUT	2				
22	36400765110	PACKING (CASE)	1				
23	36400795010	PLATE,NAME	1				
25	31790680100	SUPPORT	1				
50	36400790000	POWER TAKE OFF	1				
100	31790740000	POWER TAKE OFF	1				

www.AutoEPC.com

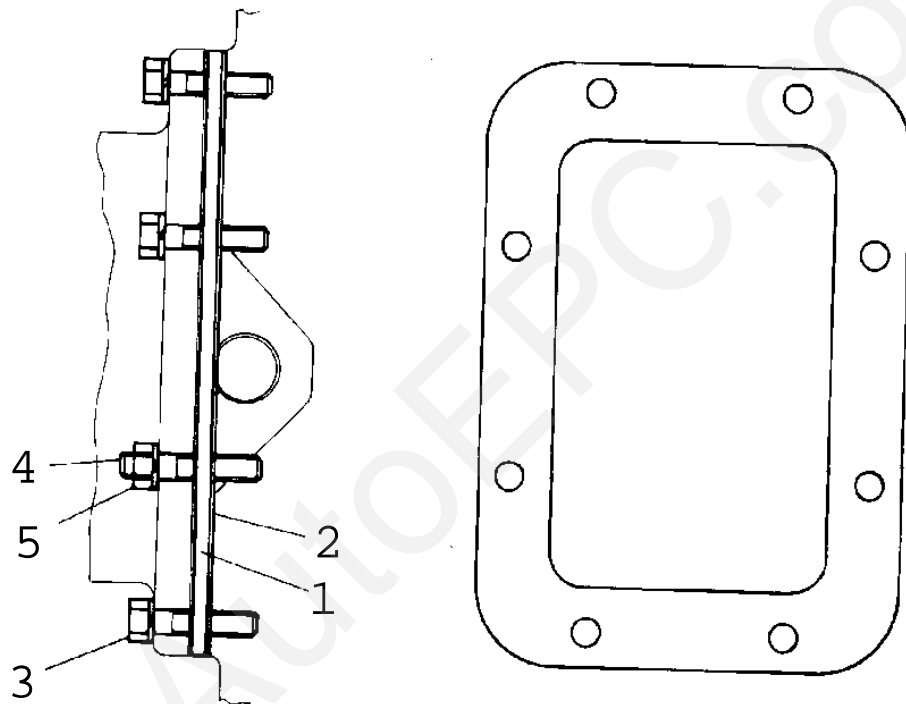




**TM-ZF360 41102210021A FRAME/SL,MANUAL**

Pos No.	Parts No	Parts Name	Qty	Unit	Technical Data	Serial No (Start)	Seri
1	36400805010	CASE	1				
2	36400805020	GEAR	1				
3	36400775010	SHAFT	1				
4	36400765040	SLEEVE	1				
5	36400095100	SHIFTER ASSY	1				
6	36400095110	PACKING	1				
7	80500006006	BEARING,BALL	1				
8	36400765050	BEARING,NEEDLE	1				
9	36400765060	BEARING	1				
10	36400765070	BEARING	1				
11	91206030005	SEAL,OIL	1				
12	36400095070	COVER (BEARING)	1				
13	36400095080	PACKING (COVER)	1				
14	36400095090	SHIM	N				
15	90191208014	BOLT	3		M8X14		
16	90302040801	WASHER,SPRING	7		8		
17	90191208020	BOLT	4		M8X20		
18	90193512090	BOLT	2				
19	90302041201	WASHER,SPRING	6		12		
20	36400785020	BOLT,STUD	2				
21	90264201200	NUT	2		M12		
22	90193512035	BOLT	2		M12X35		
23	36400435090	PACKING (CASE)	1				
24	36400805030	PLATE,NAME	1				
26	31790680100	SUPPORT	1				
50	36400810000	POWER TAKE OFF	1				
100	31790750000	POWER TAKE OFF	1				

TM-ZF360 41102210021A FRAME/SL, MANUAL  
PB1030096-00 POWER TAKE OFF (PACKING)

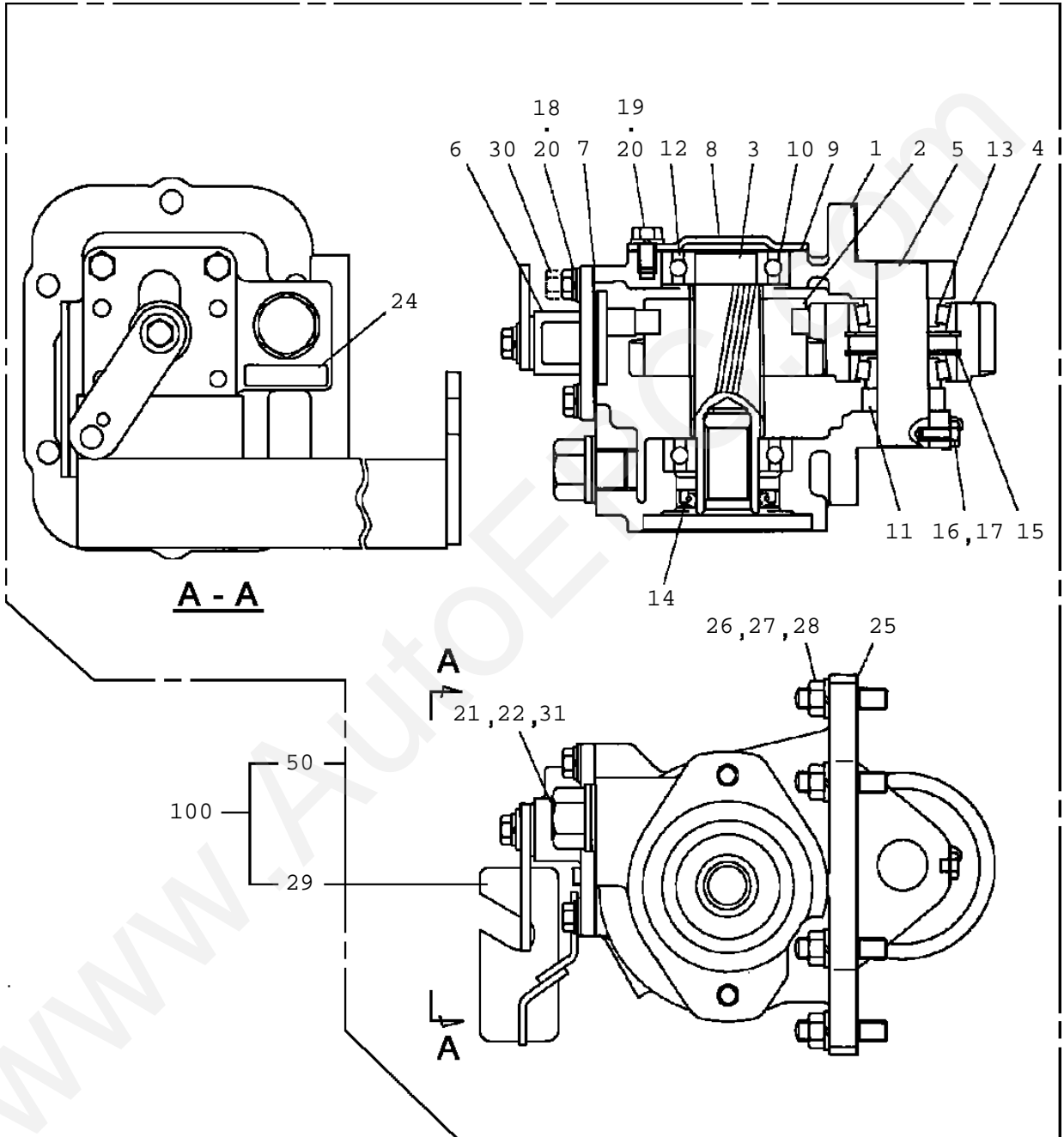


**TM-ZF360 41102210021A FRAME/SL,MANUAL**

Pos No.	Parts No	Parts Name	Qty	Unit	Technical Data	Serial No (Start)	Serial No
1	31790085010	SPACER	1		T=5.458		
2	52430304090	PACKING	1				
3	90191210035	BOLT	7		M10X35		
4	31790085020	BOLT,STUD	1				
5	90264201000	NUT	1		M10		

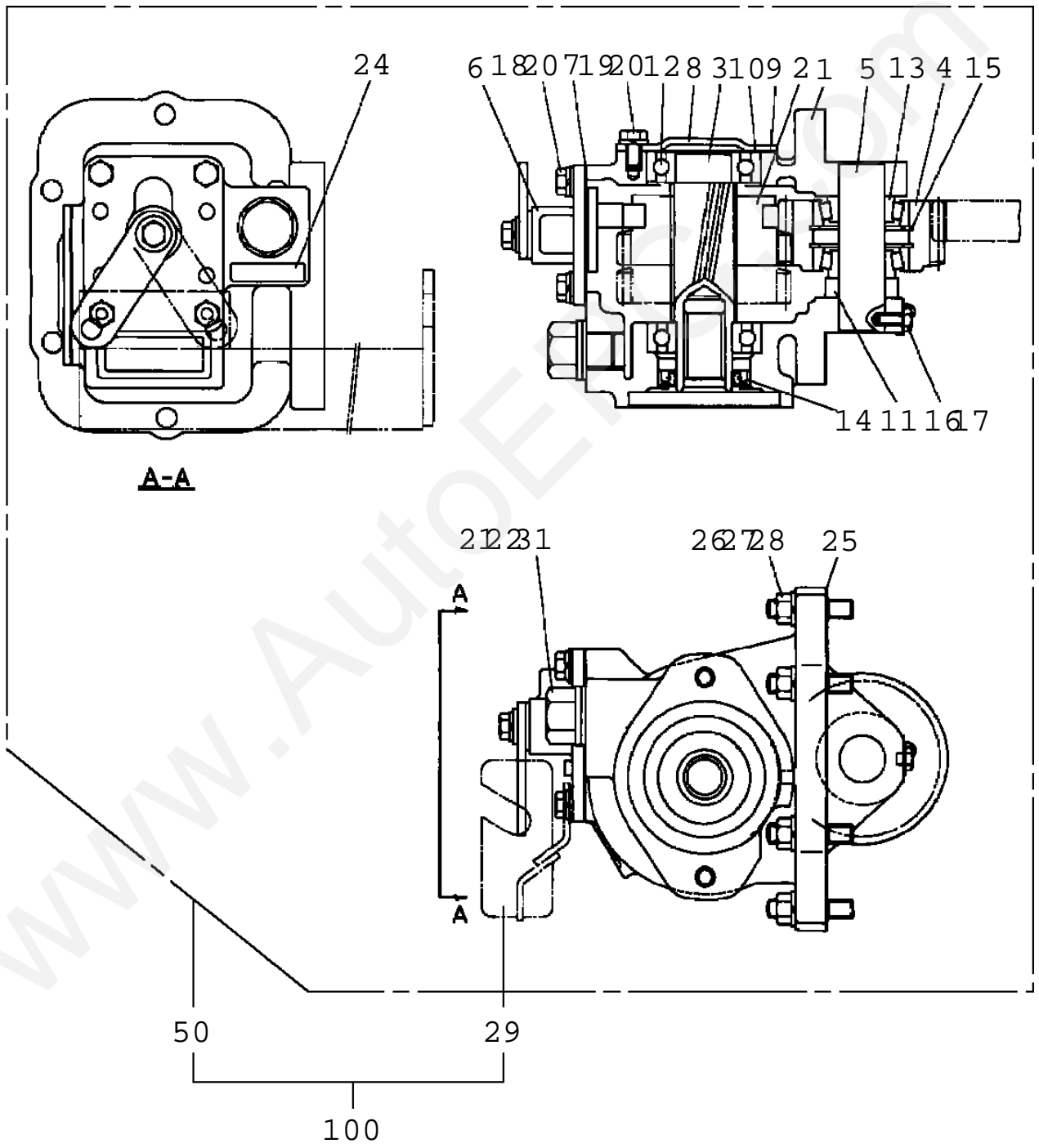
www.AutoEPC.com

TM-ZF360 41102210021A FRAME/SL, MANUAL  
PB1030103-04 POWER TAKE OFF



**TM-ZF360 41102210021A FRAME/SL,MANUAL**

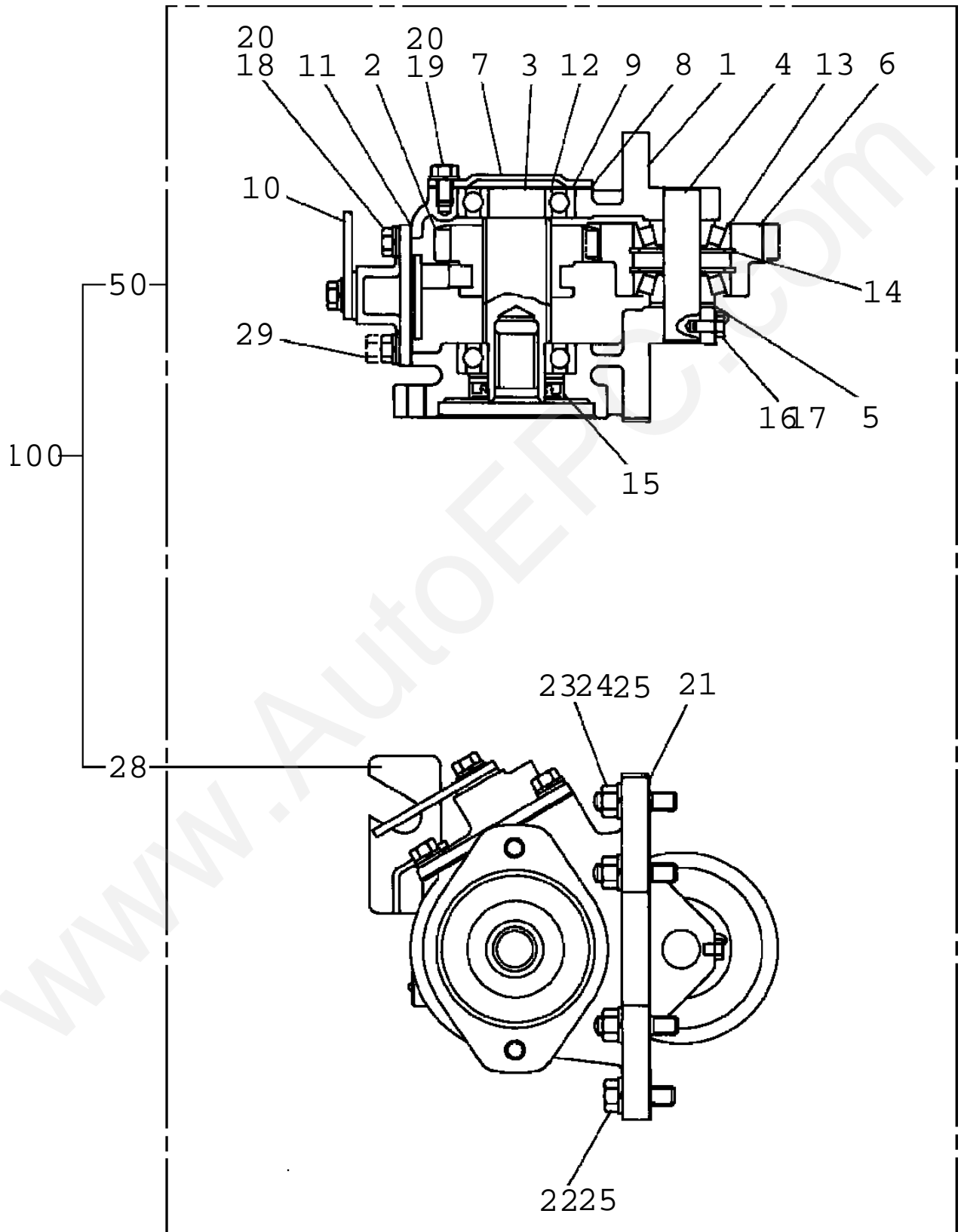
Pos No.	Parts No	Parts Name	Qty	Unit	Technical Data	Serial No (Start)	Se
1	36400845060	CASE	1				
2	36400845020	GEAR	1				
3	36400845030	SHAFT	1				
4	36400845040	GEAR	1				
5	36400395050	SHAFT	1				
6	36400095100	SHIFTER ASSY	1				
7	36400095110	PACKING	1				
8	36400095070	COVER (BEARING)	1				
9	36400095080	PACKING (COVER)	1				
10	36400095090	SHIM	1				
11	36400675030	COLLAR	1				
12	80500006206	BEARING,BALL	2				
13	36400675050	BEARING	2				
14	91206030005	SEAL,OIL	1				
15	80602110520	RING,RITAINING	2		R52		
16	36400095130	WASHER	1				
17	90101206015	BOLT	1		M6X15		
18	90191208020	BOLT	4		M8X20		
19	90191208014	BOLT	3		M8X14		
20	90302040801	WASHER,SPRING	7		8		
21	36401025060	PLUG	1				
22	36401025070	WASHER,PLAIN	1				
24	36401025090	PLATE,NAME	1				
25	36401025100	PACKING	1				
26	36400095150	BOLT,STUD	6		M10X1.25/1.5X43		
27	90267201000	NUT	6		M10		
28	90302041001	WASHER,SPRING	6		10		
29	31790770100	SUPPORT	1				
30	90191208025	BOLT	2		M8X25		
31	36401025120	NUT (REINFORCER)	1				
50	36400840000	POWER TAKE OFF	1				
100	31790770000	POWER TAKE OFF	1				



**TM-ZF360 41102210021A FRAME/SL, MANUAL**

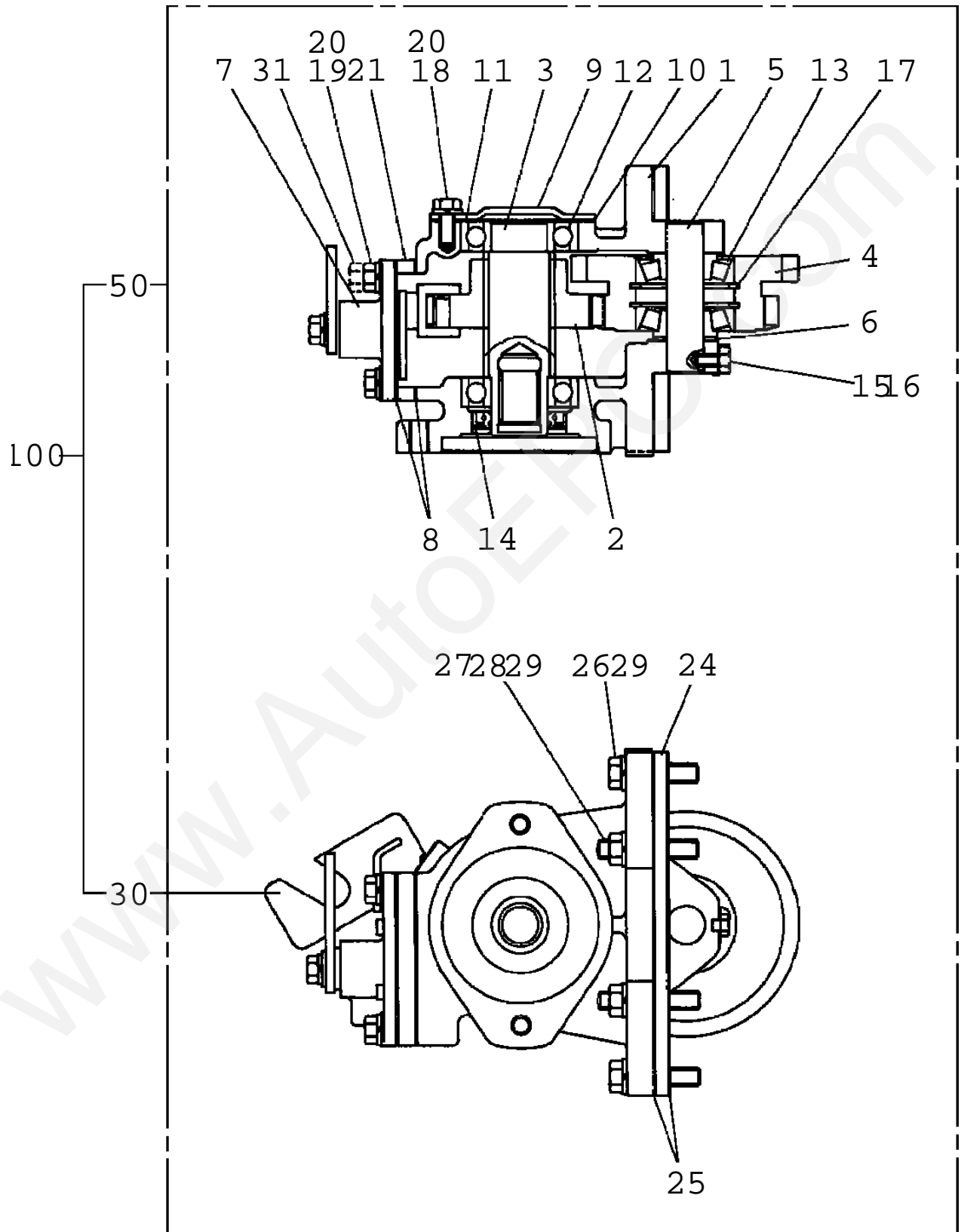
Pos No.	Parts No	Parts Name	Qty	Unit	Technical Data	Serial No (Start)	Se
1	36400855030	CASE	1				
2	36400845020	GEAR	1				
3	36400845030	SHAFT	1				
4	36400845040	GEAR	1				
5	36400395050	SHAFT	1				
6	36400095100	SHIFTER ASSY	1				
7	36400095110	PACKING	1				
8	36400095070	COVER (BEARING)	1				
9	36400095080	PACKING (COVER)	1				
10	36400095090	SHIM	1				
11	36400675030	COLLAR	1				
12	80500006206	BEARING,BALL	2				
13	36400675050	BEARING	2				
14	91206030005	SEAL,OIL	1				
15	80602110520	RING,RITAINING	2		R52		
16	36400095130	WASHER	1				
17	90101206015	BOLT	1		M6X15		
18	90191208020	BOLT	4		M8X20		
19	90191208014	BOLT	3		M8X14		
20	90302040801	WASHER,SPRING	7		8		
21	36401025060	PLUG	1				
22	36401025070	WASHER,PLAIN	1				
24	36401025090	PLATE,NAME	1				
25	36401025100	PACKING	1				
26	36401695040	BOLT,STUD	6		M10X1.25/1.5X47		
27	90267201000	NUT	6		M10		
28	90302041001	WASHER,SPRING	6		10		
29	31790770100	SUPPORT	1				
31	36401025120	NUT (REINFORCER)	1				
50	36400850000	POWER TAKE OFF	1				
100	31790780000	POWER TAKE OFF	1				





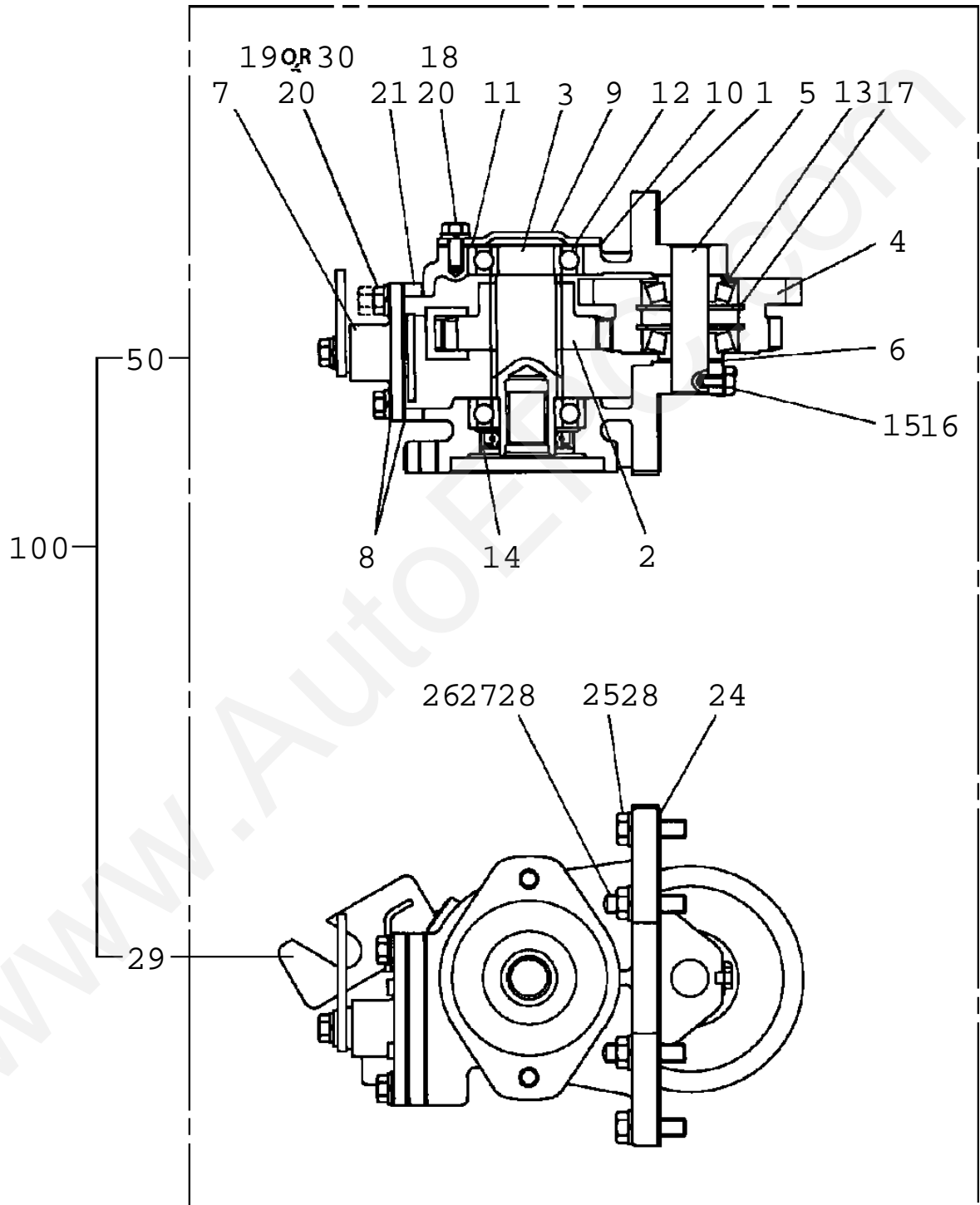
**TM-ZF360 41102210021A FRAME/SL, MANUAL**

Pos No.	Parts No	Parts Name	Qty	Unit	Technical Data	Serial No (Start)	Ser
1	36400865010	CASE	1				
2	36400865020	GEAR	1				
3	36400865030	SHAFT	1				
4	36400095040	SHAFT	1				
5	36400095050	COLLAR	1				
6	36400865040	GEAR	1				
7	36400095070	COVER (BEARING)	1				
8	36400095080	PACKING (COVER)	1				
9	36400095090	SHIM	1				
10	36400095100	SHIFTER ASSY	1				
11	36400095110	PACKING	1				
12	80500006206	BEARING,BALL	2				
13	36400095120	BEARING	2				
14	80602110520	RING,RITAINING	2		R52		
15	91206030005	SEAL,OIL	1				
16	90101206012	BOLT	1		M6X12		
17	36400095130	WASHER	1				
18	90191208020	BOLT	4		M8X20		
19	90191208014	BOLT	3		M8X14		
20	90302040801	WASHER,SPRING	7		8		
21	36400335030	SHIM	1				
22	90191210030	BOLT	4		M10X30		
23	36400095150	BOLT,STUD	4		M10X1.25/1.5X43		
24	90267201000	NUT	4		M10		
25	90302041001	WASHER,SPRING	8		10		
28	31790670100	SUPPORT	1				
29	90191208025	BOLT	2		M8X25		
50	36400860000	POWER TAKE OFF	1				
100	31791360000	POWER TAKE OFF	1				



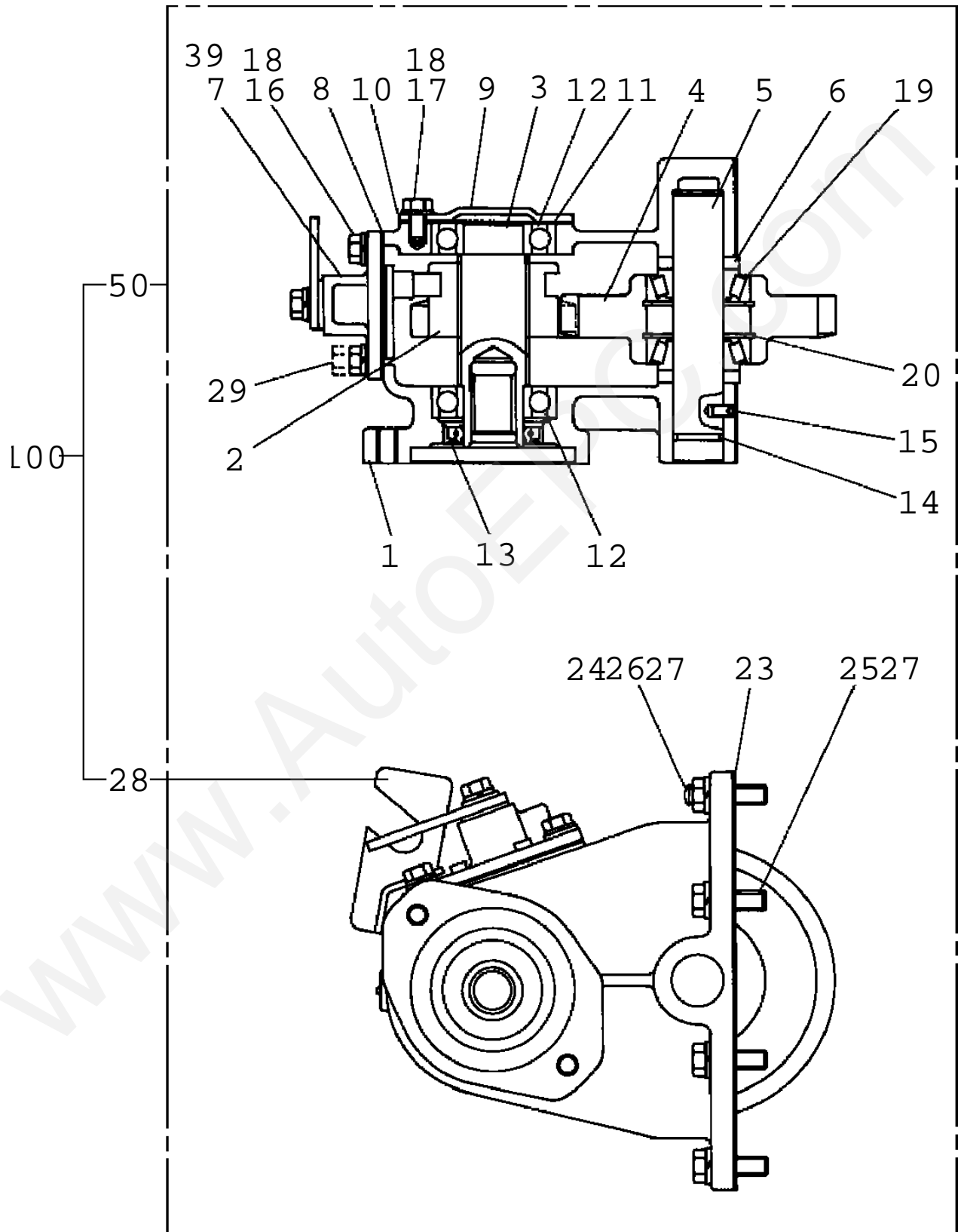
**TM-ZF360 41102210021A FRAME/SL,MANUAL**

Pos No.	Parts No	Parts Name	Qty	Unit	Technical Data	Serial No (Start)	Seri
1	36400875010	CASE	1				
2	36400875020	GEAR	1				
3	36400875030	SHAFT	1				
4	36400875040	GEAR	1				
5	36400095040	SHAFT	1				
6	36400095050	COLLAR	1				
7	36400875050	SHIFTER SET	1				
8	36400095110	PACKING	2				
9	36400095070	COVER (BEARING)	1				
10	36400095080	PACKING (COVER)	1				
11	36400095090	SHIM	1				
12	80500006206	BEARING,BALL	2				
13	36400095120	BEARING	2				
14	91206030005	SEAL,OIL	1				
15	36400095130	WASHER	1				
16	90101206012	BOLT	1		M6X12		
17	80602110520	RING,RITAINING	2		R52		
18	90191208014	BOLT	3		M8X14		
19	90191208030	BOLT	4		M8X30		
20	90302040801	WASHER,SPRING	7		8		
21	36400285080	SPACER	1				
24	36400345010	SPACER	1				
25	36400335030	SHIM	1				
26	90191210040	BOLT	4		M10X40		
27	36400285060	BOLT	4				
28	90267201000	NUT	4		M10		
29	90302041001	WASHER,SPRING	8		10		
30	31790680100	SUPPORT	1				
31	90191208035	BOLT	2		M8X35		
50	36400870000	POWER TAKE OFF	1				
100	31791550000	POWER TAKE OFF	1				



**TM-ZF360 41102210021A FRAME/SL,MANUAL**

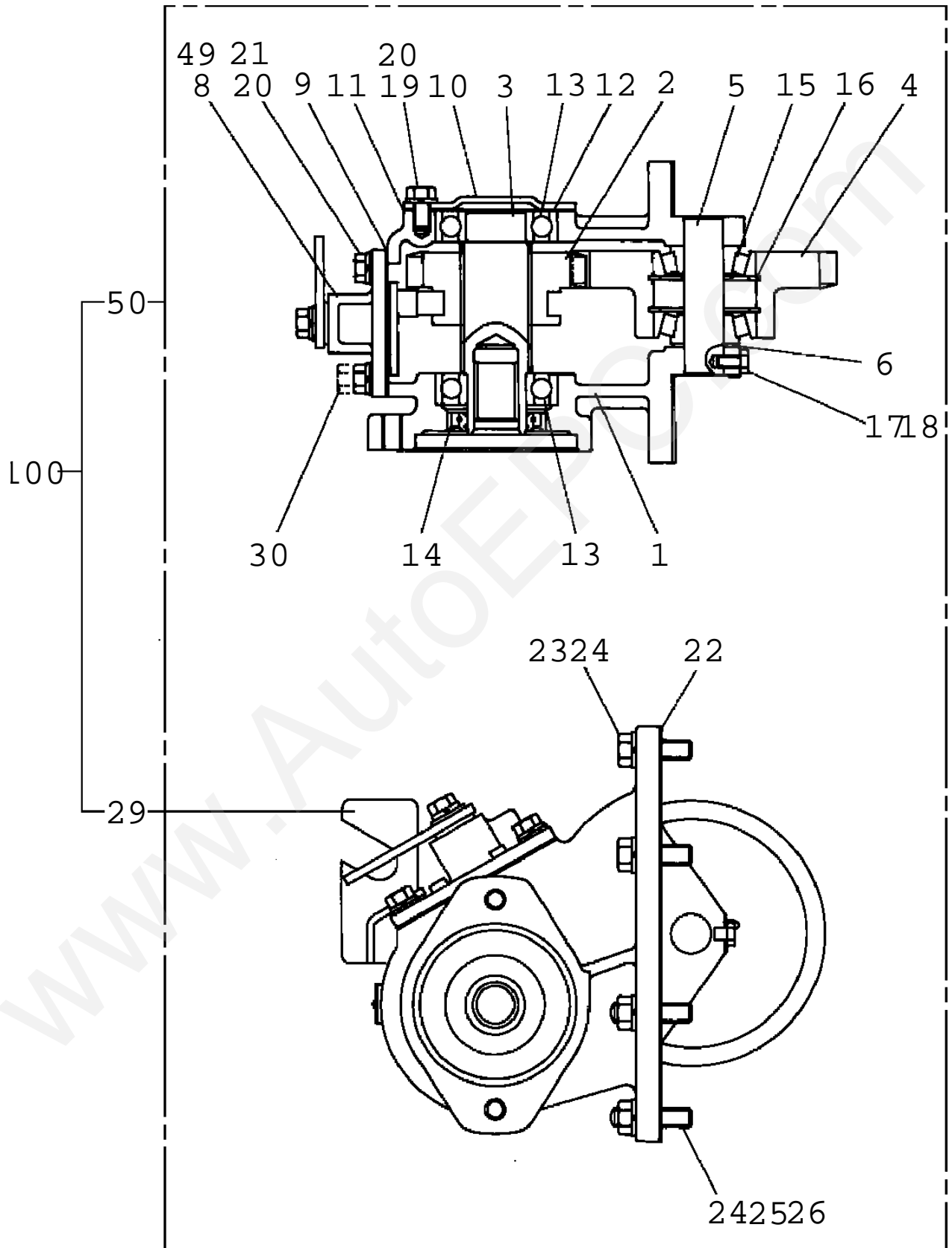
Pos No.	Parts No	Parts Name	Qty	Unit	Technical Data	Serial No (Start)	Ser
1	36400875010	CASE	1				
2	36400875020	GEAR	1				
3	36400875030	SHAFT	1				
4	36400885010	GEAR	1				
5	36400095040	SHAFT	1				
6	36400095050	COLLAR	1				
7	36400875050	SHIFTER SET	1				
8	36400095110	PACKING	2				
9	36400095070	COVER (BEARING)	1				
10	36400095080	PACKING (COVER)	1				
11	36400095090	SHIM	1				
12	80500006206	BEARING,BALL	2				
13	36400095120	BEARING	2				
14	91206030005	SEAL,OIL	1				
15	36400095130	WASHER	1				
16	90101206012	BOLT	1		M6X12		
17	80602110520	RING,RITAINING	2		R52		
18	90191208014	BOLT	3		M8X14		
19	90191208030	BOLT	4		M8X30		
20	90302040801	WASHER,SPRING	7		8		
21	36400285080	SPACER	1				
24	36400095140	PACKING (CASE)	1				
25	90191210030	BOLT	4		M10X30		
26	36400095150	BOLT,STUD	4		M10X1.25/1.5X43		
27	90267201000	NUT	4		M10		
28	90302041001	WASHER,SPRING	8		10		
29	31790680100	SUPPORT	1				
30	90191208035	BOLT	2		M8X35		
50	36400880000	POWER TAKE OFF	1				
100	31791560000	POWER TAKE OFF	1				



**TM-ZF360 41102210021A FRAME/SL,MANUAL**

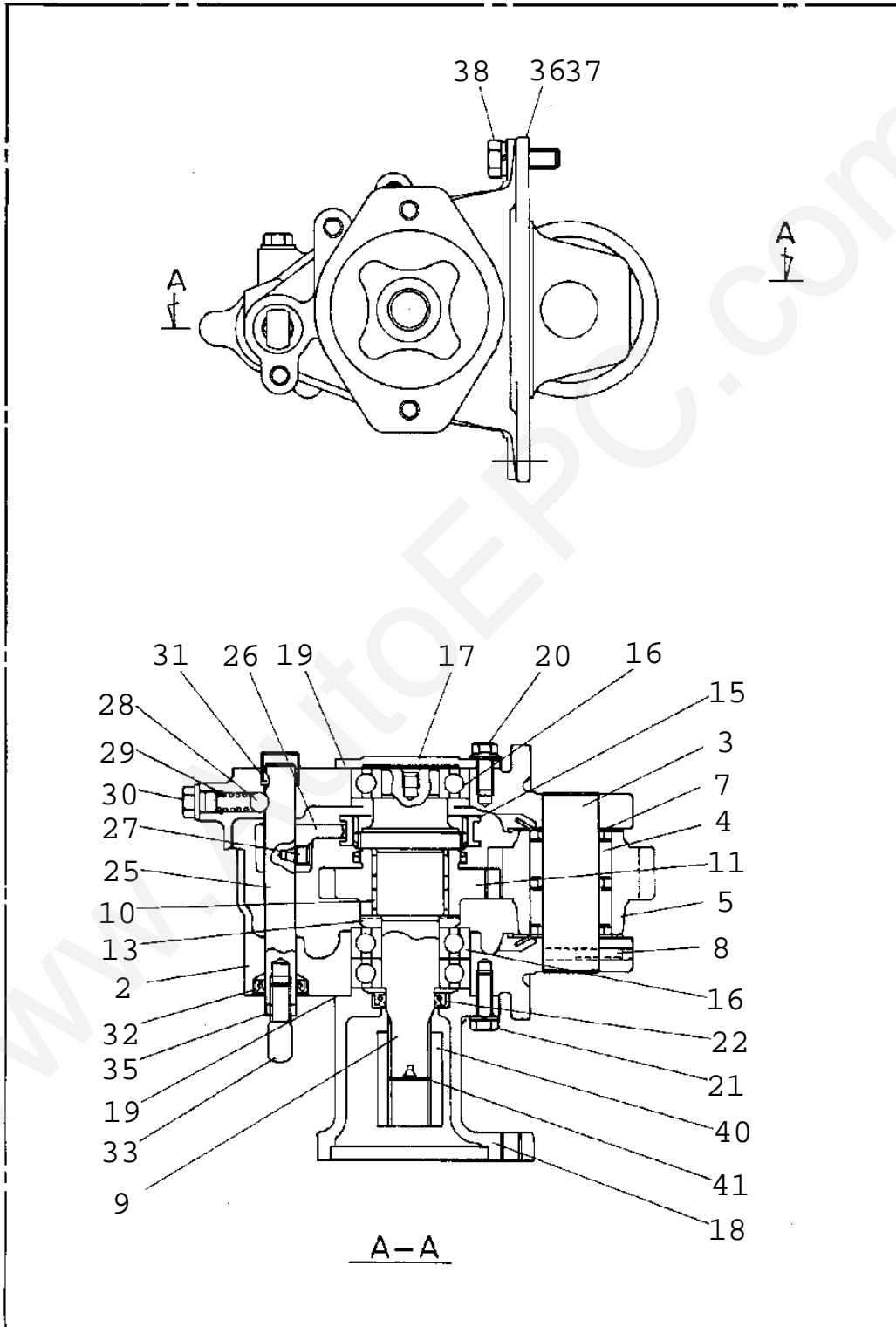
Pos No.	Parts No	Parts Name	Qty	Unit	Technical Data	Serial No (Start)	Ser
1	36400895010	CASE	1				
2	36400895020	GEAR	1				
3	36400895030	SHAFT	1				
4	36400895040	GEAR	1				
5	36400415050	SHAFT	1				
6	36400215070	COLLAR	2				
7	36400225110	SHIFTER SET	1				
8	36400095110	PACKING	1				
9	36400095070	COVER (BEARING)	1				
10	36400095080	PACKING (COVER)	1				
11	36400095090	SHIM	1				
12	80500006206	BEARING,BALL	2				
13	91206030005	SEAL,OIL	1				
14	91001102100	O-RING	1		1A P21		
15	90710006120	SCREW,SET	1		M6X12		
16	90191208020	BOLT	4		M8X20		
17	90191208014	BOLT	3		M8X14		
18	90302040801	WASHER,SPRING	7		8		
19	36400675050	BEARING	2				
20	80602110520	RING,RITAINING	2		R52		
23	36400415100	PACKING (CASE)	1				
24	36400095150	BOLT,STUD	2		M10X1.25/1.5X43		
25	90191210030	BOLT	6		M10X30		
26	90267201000	NUT	2		M10		
27	90302041001	WASHER,SPRING	8		10		
28	31790670100	SUPPORT	1				
29	90191208025	BOLT	2		M8X25		
39	36400225160	SEAL,OIL	1				
50	36400890000	POWER TAKE OFF	1				
100	31791370000	POWER TAKE OFF	1				





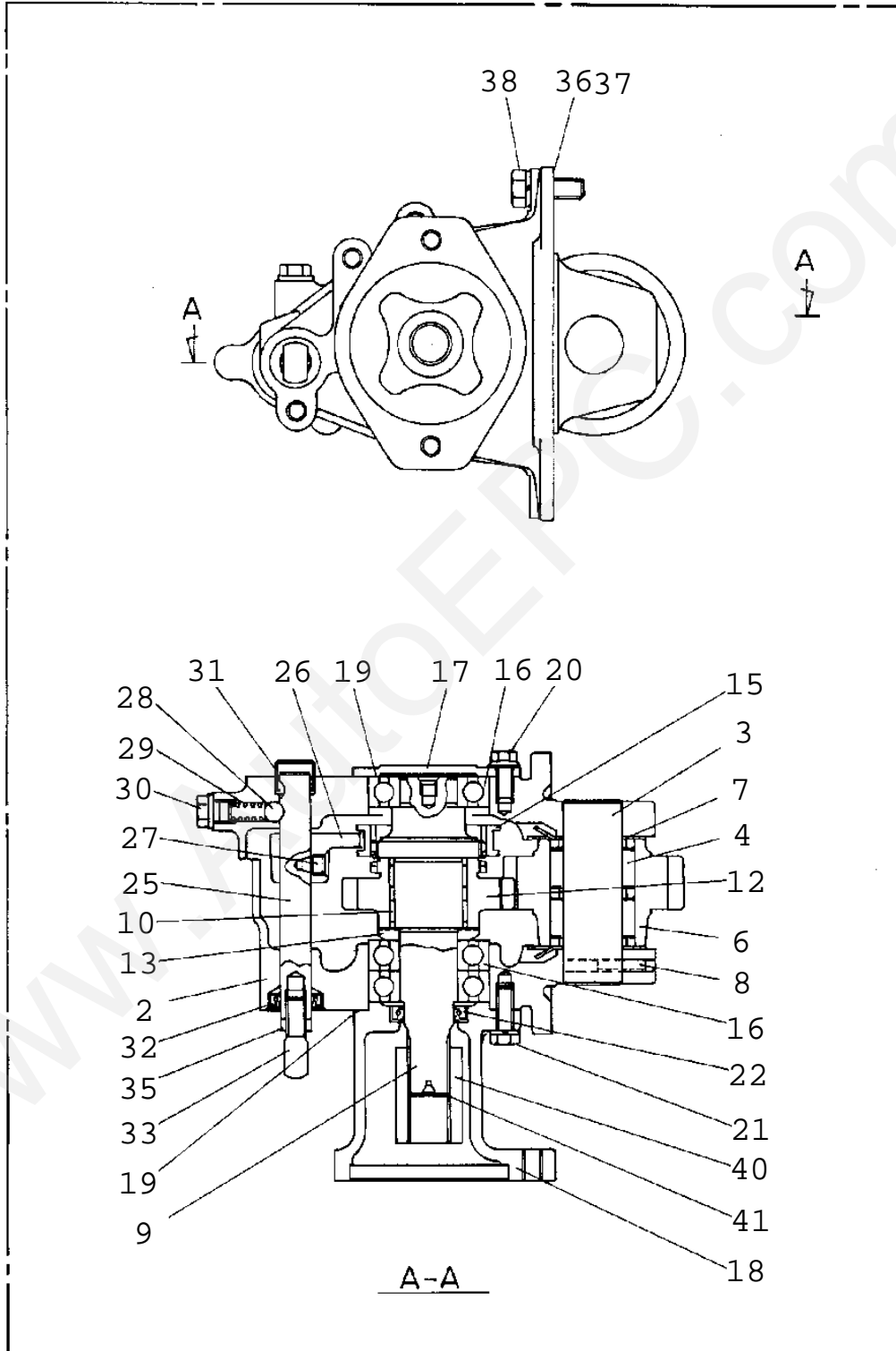
**TM-ZF360 41102210021A FRAME/SL,MANUAL**

Pos No.	Parts No	Parts Name	Qty	Unit	Technical Data	Serial No (Start)	Ser
1	36400905010	CASE	1				
2	36400905020	GEAR	1				
3	36400865030	SHAFT	1				
4	36400905030	GEAR	1				
5	36400095040	SHAFT	1				
6	36400095050	COLLAR	1				
8	36400225110	SHIFTER SET	1				
9	36400095110	PACKING	1				
10	36400095070	COVER (BEARING)	1				
11	36400095080	PACKING (COVER)	1				
12	36400095090	SHIM	1				
13	80500006206	BEARING,BALL	2				
14	91206030005	SEAL,OIL	1				
15	36400095120	BEARING	2				
16	80602110520	RING,RITAINING	2		R52		
17	36400095130	WASHER	1				
18	90101206012	BOLT	1		M6X12		
19	90191208014	BOLT	3		M8X14		
20	90302040801	WASHER,SPRING	7		8		
21	90191208020	BOLT	4		M8X20		
22	36400415100	PACKING (CASE)	1				
23	90191210030	BOLT	4		M10X30		
24	90302041001	WASHER,SPRING	8		10		
25	36400095150	BOLT,STUD	4		M10X1.25/1.5X43		
26	90267201000	NUT	4		M10		
29	31790670100	SUPPORT	1				
30	90191208025	BOLT	2		M8X25		
49	36400225160	SEAL,OIL	1				
50	36400900000	POWER TAKE OFF	1				
100	31791380000	POWER TAKE OFF	1				



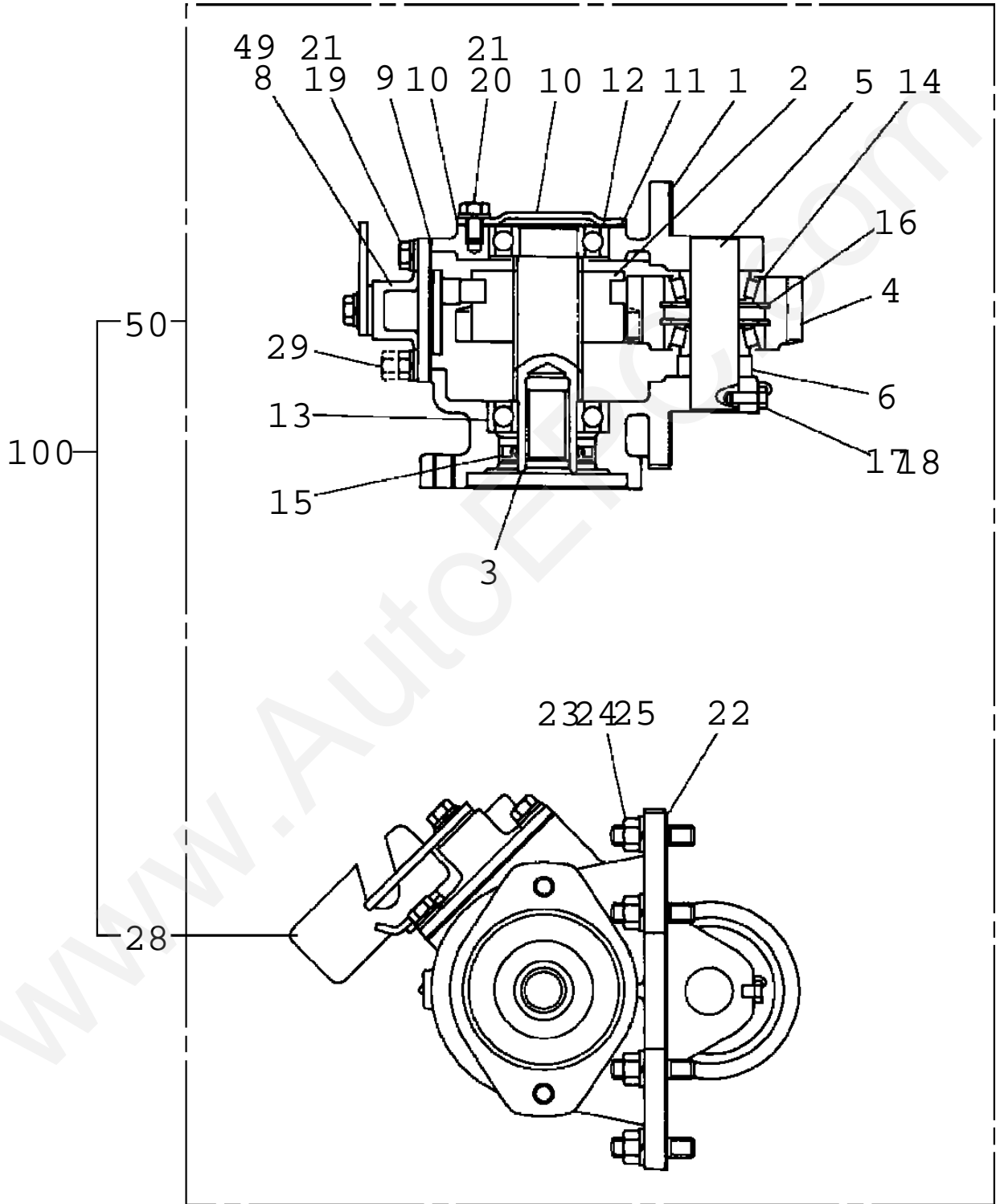
**TM-ZF360 41102210021A FRAME/SL, MANUAL**

Pos No.	Parts No	Parts Name	Qty	Unit	Technical Data	Serial No (Start
2	51630103010	CASE (P.T.O)	1			
3	51630103020	SHAFT (POWER TAKE OFF)	1			
4	51630103030	BEARING, NEEDLE	1			
5	36400945010	GEAR	1			
7	51630103050	WASHER	2			
8	51630103060	PIN, SPRING	1			
9	36400955020	SHAFT (OUTPUT)	1			
10	51630103080	BEARING, NEEDLE	2			
11	51630104020	GEAR	1			
13	51630103100	WASHER	1			
15	51630103110	SLEEVE	1			
16	80500006206	BEARING, BALL	3			
17	52630106230	COVER (FRONT)	1			
18	36400955030	ADAPTER	1			
19	51630103140	GASKET	2			
20	51630103150	BOLT	4			
21	36400955040	BOLT	4		M8X25X1.25	
22	36400955050	SEAL, OIL	1			
25	51630103170	SHAFT	1			
26	51630103180	FORK	1			
27	51630103190	BOLT	1			
28	52630106200	BALL, STEEL	1			
30	51630103200	PLUG	1			
31	51630103210	PLUG	1			
32	51630103220	SEAL, OIL	1			
33	51630103230	BOLT	1			
35	51630103240	NUT	1			
36	51630103250	GASKET	1			
37	51630103260	GASKET	1			
38	36400315040	BOLT	6			
40	36400955060	COUPLING	1			
41	36400955070	RING, STOP	1			
50	36400940000	POWER TAKE OFF	1			



**TM-ZF360 41102210021A FRAME/SL, MANUAL**

Pos No.	Parts No	Parts Name	Qty	Unit	Technical Data	Serial No (Start
2	51630103010	CASE (P.T.O)	1			
3	51630103020	SHAFT (POWER TAKE OFF)	1			
4	51630103030	BEARING, NEEDLE	1			
6	36400955010	GEAR	1			
7	51630103050	WASHER	2			
8	51630103060	PIN, SPRING	1			
9	36400955020	SHAFT (OUTPUT)	1			
10	51630103080	BEARING, NEEDLE	2			
12	51630103090	GEAR, OUTPUT	1			
13	51630103100	WASHER	1			
15	51630103110	SLEEVE	1			
16	80500006206	BEARING, BALL	3			
17	52630106230	COVER (FRONT)	1			
18	36400955030	ADAPTER	1			
19	51630103140	GASKET	2			
20	51630103150	BOLT	4			
21	36400955040	BOLT	4		M8X25X1.25	
22	36400955050	SEAL, OIL	1			
25	51630103170	SHAFT	1			
26	51630103180	FORK	1			
27	51630103190	BOLT	1			
28	52630106200	BALL, STEEL	1			
29	52630106190	SPRING	1			
30	51630103200	PLUG	1			
31	51630103210	PLUG	1			
32	51630103220	SEAL, OIL	1			
33	51630103230	BOLT	1			
35	51630103240	NUT	1			
36	51630103250	GASKET	1			
37	51630103260	GASKET	1			
38	36400315040	BOLT	6			
40	36400955060	COUPLING	1			
41	36400955070	RING, STOP	1			
50	36400950000	POWER TAKE OFF	1			

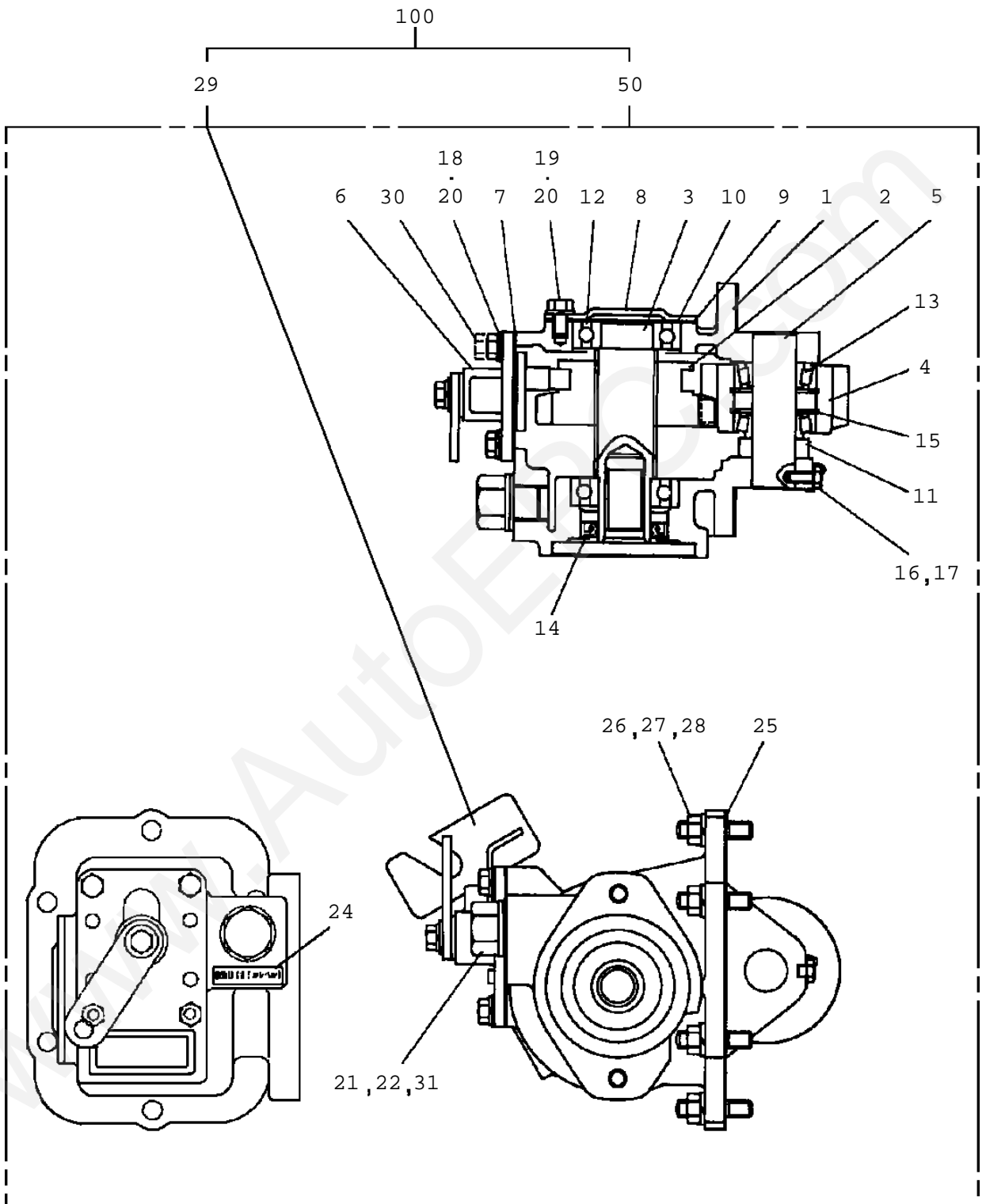


**TM-ZF360 41102210021A FRAME/SL,MANUAL**

Pos No.	Parts No	Parts Name	Qty	Unit	Technical Data	Serial No (Start)	Ser
1	36401015010	CASE	1				
2	36400845020	GEAR	1				
3	36400845030	SHAFT	1				
4	36400845040	GEAR	1				
5	36400395050	SHAFT	1				
6	36400675030	COLLAR	1				
8	36400225110	SHIFTER SET	1				
9	36400095110	PACKING	1				
10	36400095070	COVER (BEARING)	1				
11	36400095080	PACKING (COVER)	1				
12	36400095090	SHIM	1				
13	80500006206	BEARING,BALL	2				
14	36400675050	BEARING	2				
15	91216035002	SEAL,OIL	1				
16	80602110520	RING,RITAINING	2		R52		
17	36400095130	WASHER	1				
18	90101206015	BOLT	1		M6X15		
19	90191208020	BOLT	4		M8X20		
20	90191208014	BOLT	3		M8X14		
21	90302040801	WASHER,SPRING	7		8		
22	36400395080	PACKING (CASE)	1				
23	36400095150	BOLT,STUD	6		M10X1.25/1.5X43		
24	90267201000	NUT	6		M10		
25	90302041001	WASHER,SPRING	6		10		
28	31790770100	SUPPORT	1				
29	90191208025	BOLT	2		M8X25		
49	36400225160	SEAL,OIL	1				
50	36401010000	POWER TAKE OFF	1				
100	31791960000	POWER TAKE OFF	1				

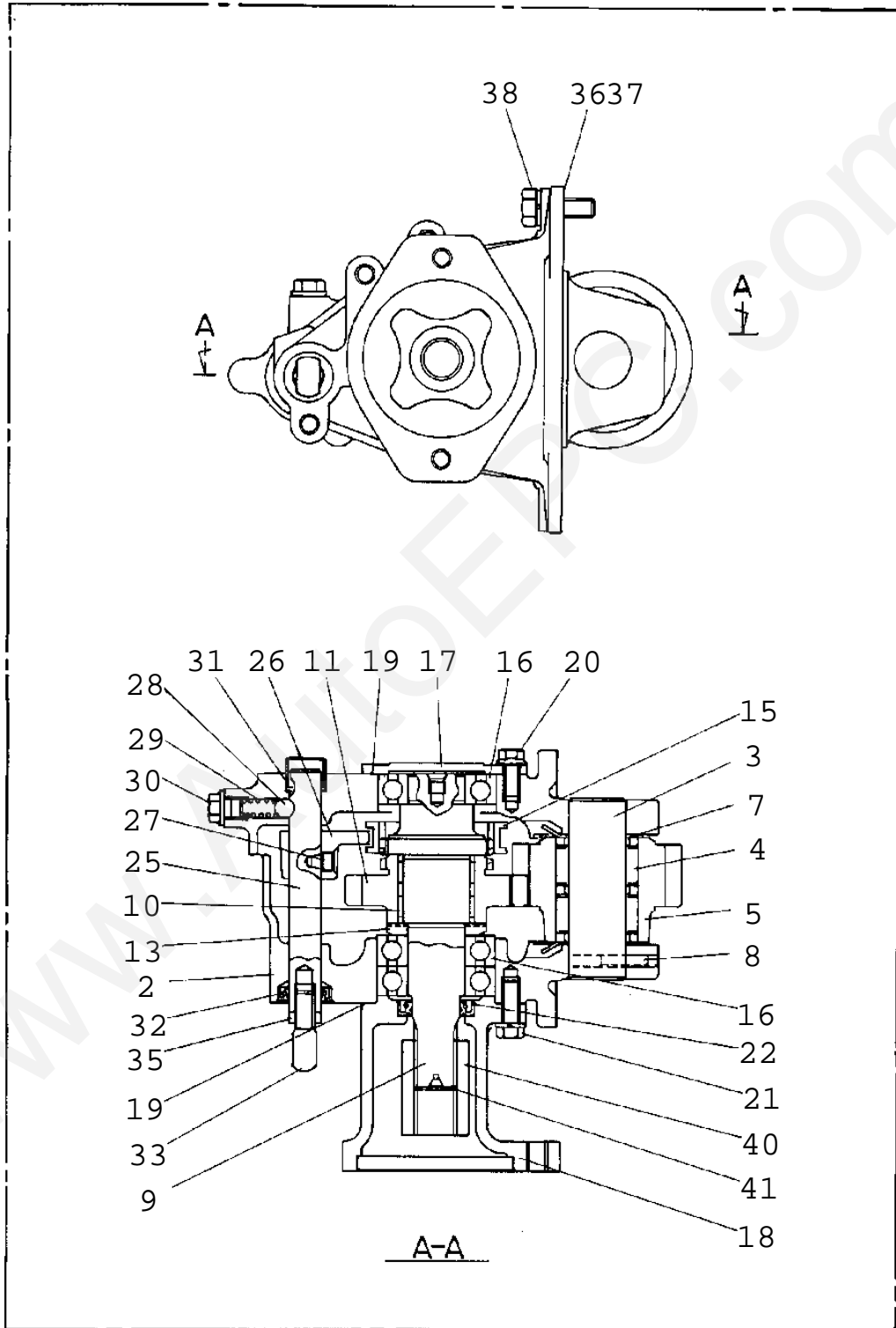


TM-ZF360 41102210021A FRAME/SL, MANUAL  
PB1030114-03 POWER TAKE OFF



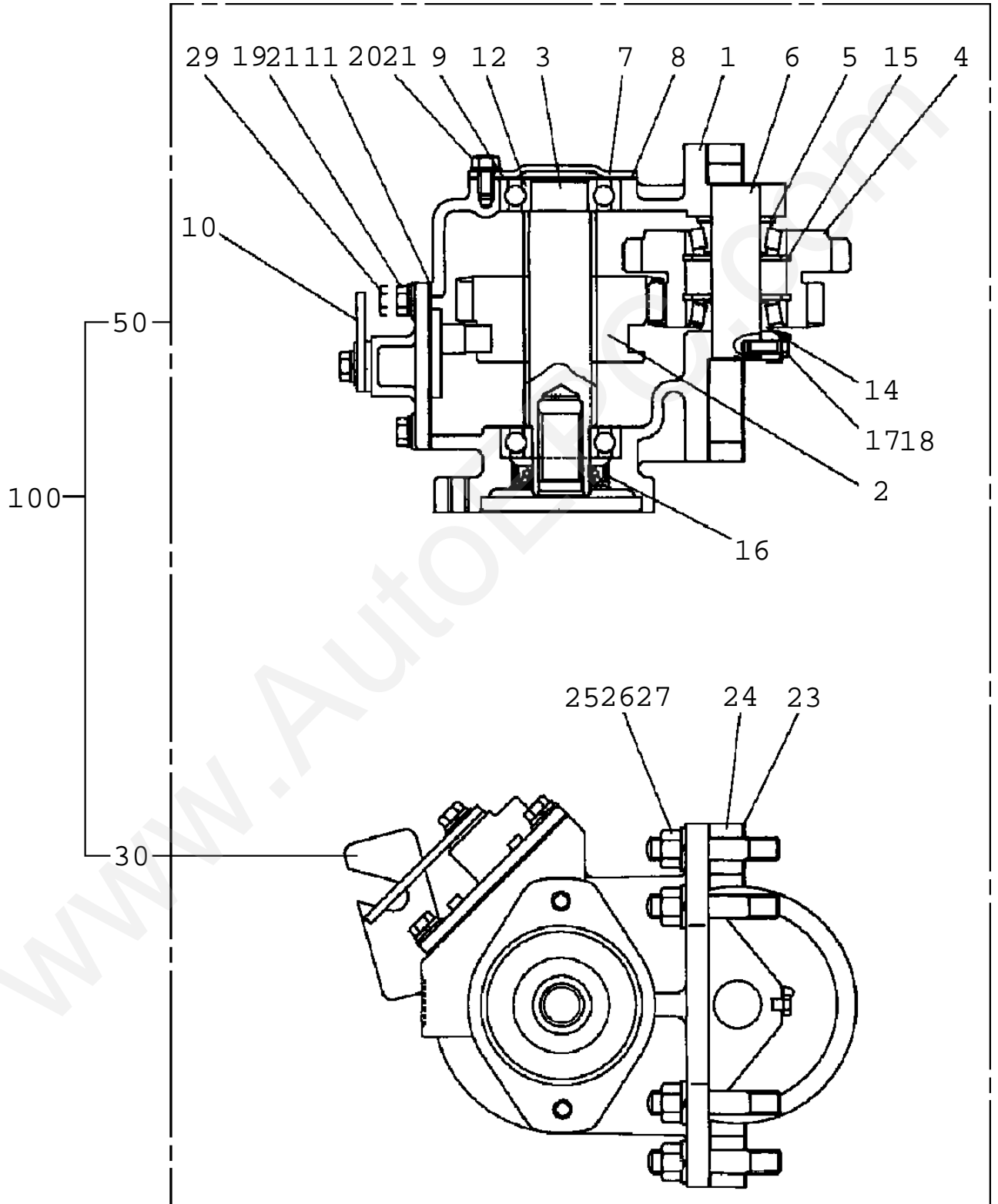
**TM-ZF360 41102210021A FRAME/SL,MANUAL**

Pos No.	Parts No	Parts Name	Qty	Unit	Technical Data	Serial No (Start)	Se
1	36401025010	CASE	1				
2	36401025020	GEAR	1				
3	36400845030	SHAFT	1				
4	36401025030	GEAR	1				
5	36400395050	SHAFT	1				
6	36400095100	SHIFTER ASSY	1				
7	36400095110	PACKING	1				
8	36400095070	COVER (BEARING)	1				
9	36400095080	PACKING (COVER)	1				
10	36400095090	SHIM	1				
11	36400675030	COLLAR	1				
12	80500006206	BEARING,BALL	2				
13	36401025050	BEARING	2				
14	91206030005	SEAL,OIL	1				
15	80602110470	RING,RITAINING	2		R47		
16	36400095130	WASHER	1				
17	90101206015	BOLT	1		M6X15		
18	90191208020	BOLT	4		M8X20		
19	90191208014	BOLT	3		M8X14		
20	90302040801	WASHER,SPRING	7		8		
21	36401025060	PLUG	1				
22	36401025070	WASHER,PLAIN	1				
24	36401025090	PLATE,NAME	1				
25	36401025100	PACKING	1				
26	36400095150	BOLT,STUD	6		M10X1.25/1.5X43		
27	90267201000	NUT	6		M10		
28	90302041001	WASHER,SPRING	6		10		
29	31790770100	SUPPORT	1				
30	90191208025	BOLT	2		M8X25		
31	36401025120	NUT (REINFORCER)	1				
50	36401020000	POWER TAKE OFF	1				
100	31790810000	POWER TAKE OFF	1				



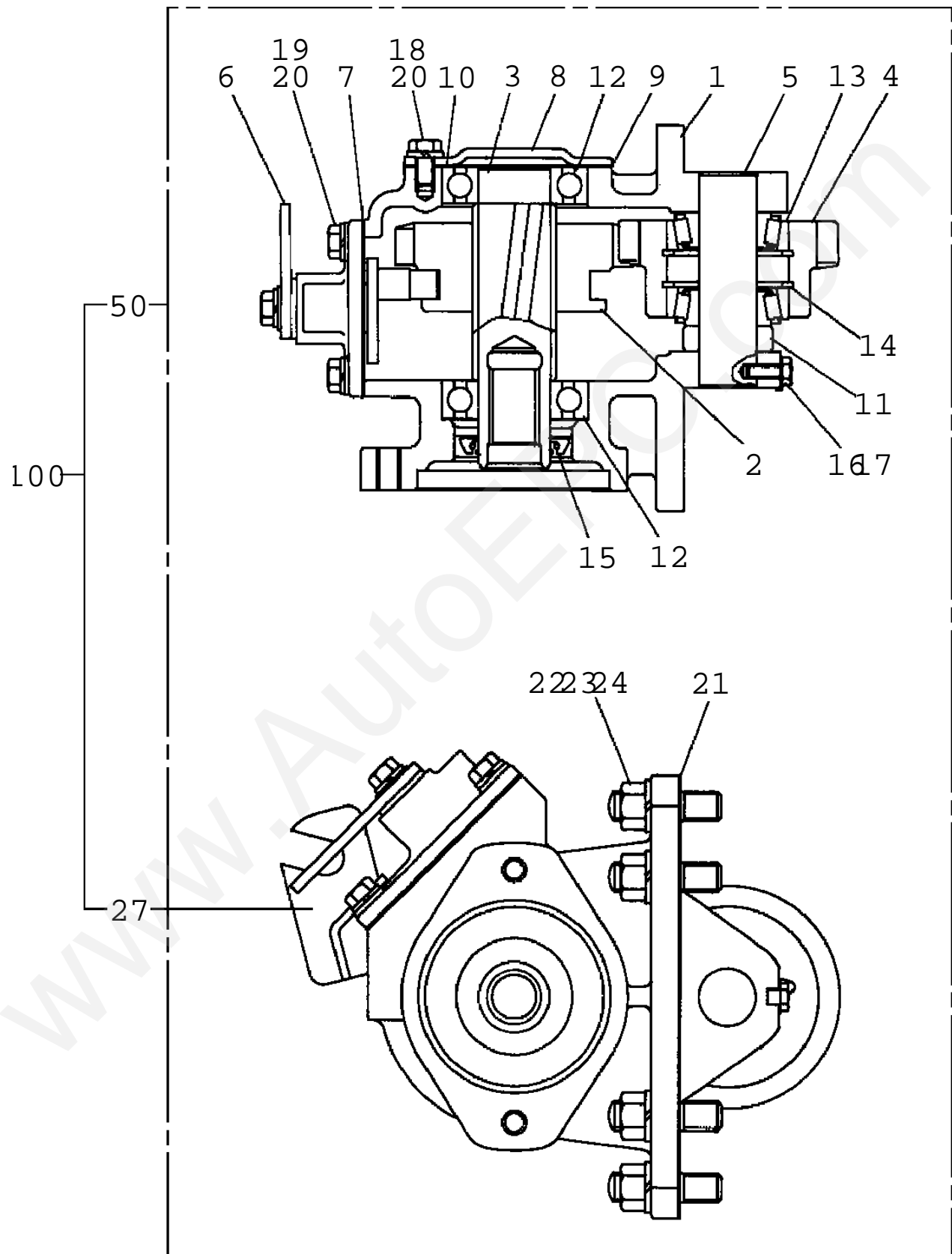
**TM-ZF360 41102210021A FRAME/SL,MANUAL**

Pos No.	Parts No	Parts Name	Qty	Unit	Technical Data	Serial No (Start
2	51630103010	CASE (P.T.O)	1			
3	51630103020	SHAFT (POWER TAKE OFF)	1			
4	51630103030	BEARING,NEEDLE	1			
5	36401045010	GEAR	1			
7	51630103050	WASHER	2			
8	51630103060	PIN,SPRING	1			
9	36400955020	SHAFT (OUTPUT)	1			
10	51630103080	BEARING,NEEDLE	2			
11	36401045020	GEAR	1			
13	51630103100	WASHER	1			
15	51630103110	SLEEVE	1			
16	80500006206	BEARING,BALL	3			
17	52630106230	COVER (FRONT)	1			
18	36400955030	ADAPTER	1			
19	51630103140	GASKET	2			
20	51630103150	BOLT	4			
21	36400955040	BOLT	4		M8X25X1.25	
22	36400955050	SEAL,OIL	1			
25	51630103170	SHAFT	1			
26	51630103180	FORK	1			
27	51630103190	BOLT	1			
28	52630106200	BALL,STEEL	1			
29	52630106190	SPRING	1			
30	51630103200	PLUG	1			
31	51630103210	PLUG	1			
32	51630103220	SEAL,OIL	1			
33	51630103230	BOLT	1			
35	51630103240	NUT	1			
36	51630103250	GASKET	1			
37	51630103260	GASKET	1			
38	36400315040	BOLT	6			
40	36400955060	COUPLING	1			
41	36400955070	RING,STOP	1			
50	36401040000	POWER TAKE OFF	1			



**TM-ZF360 41102210021A FRAME/SL,MANUAL**

Pos No.	Parts No	Parts Name	Qty	Unit	Technical Data	Serial No (Start)	Seri
1	36401105010	CASE	1				
2	36401105100	GEAR	1				
3	36401105030	SHAFT	1				
4	36401105110	GEAR	1				
5	36401105050	COLLAR	1				
6	36400395050	SHAFT	1				
7	36400095070	COVER (BEARING)	1				
8	36400095080	PACKING (COVER)	1				
9	36400095090	SHIM	1				
10	36401105060	SHIFTER SET	1				
11	36400995080	PACKING	1				
12	80500006206	BEARING,BALL	2				
14	36400675050	BEARING	2				
15	80602110520	RING,RITAINING	2		R52		
16	91206030005	SEAL,OIL	1				
17	90101206015	BOLT	1		M6X15		
18	36400095130	WASHER	1				
19	90191208020	BOLT	4		M8X20		
20	90191208014	BOLT	3		M8X14		
21	90302040801	WASHER,SPRING	7		8		
23	36400915060	PACKING	2				
24	36401105120	SPACER	1				
25	36401105080	BOLT	6				
26	90267401200	NUT	6				
27	90302041201	WASHER,SPRING	6		12		
29	90191208025	BOLT	2		M8X25		
30	31790790100	SUPPORT	1				
50	36401100000	POWER TAKE OFF	1				
100	31790850000	POWER TAKE OFF	1				

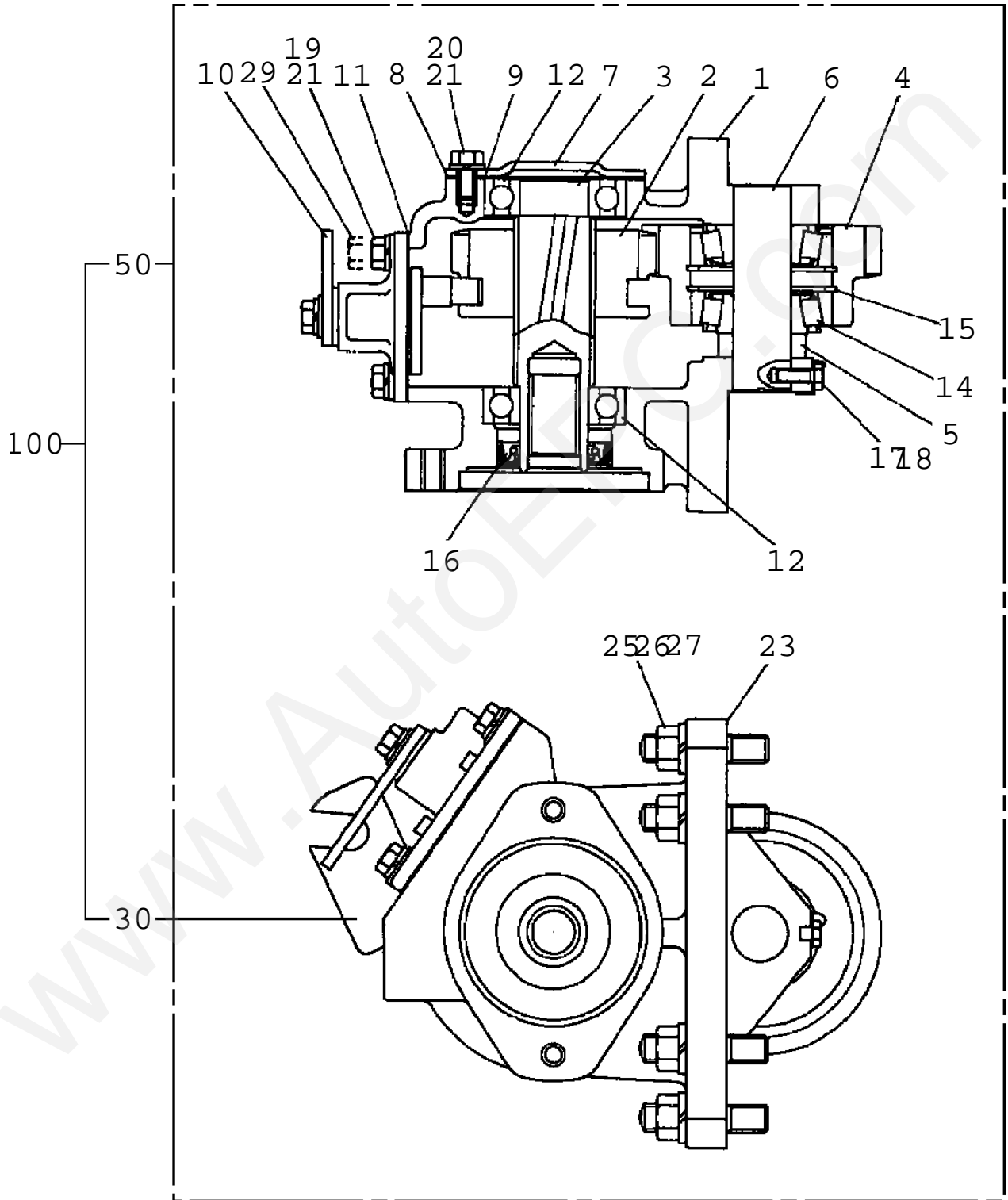


**TM-ZF360 41102210021A FRAME/SL,MANUAL**

Pos No.	Parts No	Parts Name	Qty	Unit	Technical Data	Serial No (Start)	Seri
1	36401055010	CASE	1				
2	36401055020	GEAR	1				
3	36401055030	SHAFT	1				
4	36401055040	GEAR	1				
5	36400395050	SHAFT	1				
6	36400095100	SHIFTER ASSY	1				
7	36400095110	PACKING	1				
8	36400095070	COVER (BEARING)	1				
9	36400095080	PACKING (COVER)	1				
10	36400095090	SHIM	1				
11	36400675030	COLLAR	1				
12	80500006206	BEARING,BALL	2				
13	36400675050	BEARING	2				
14	80602110520	RING,RITAINING	2		R52		
15	91206030005	SEAL,OIL	1				
16	90191206015	BOLT	1		M6		
17	36400095130	WASHER	1				
18	90191208014	BOLT	3		M8X14		
19	90191208020	BOLT	4		M8X20		
20	90302040801	WASHER,SPRING	7		8		
21	36400915060	PACKING	1				
22	36400435120	BOLT,STUD	6				
23	90267401200	NUT	6				
24	90302041201	WASHER,SPRING	6		12		
27	31790830100	SUPPORT	1				
50	36401050000	POWER TAKE OFF	1				
100	31790830000	POWER TAKE OFF	1				

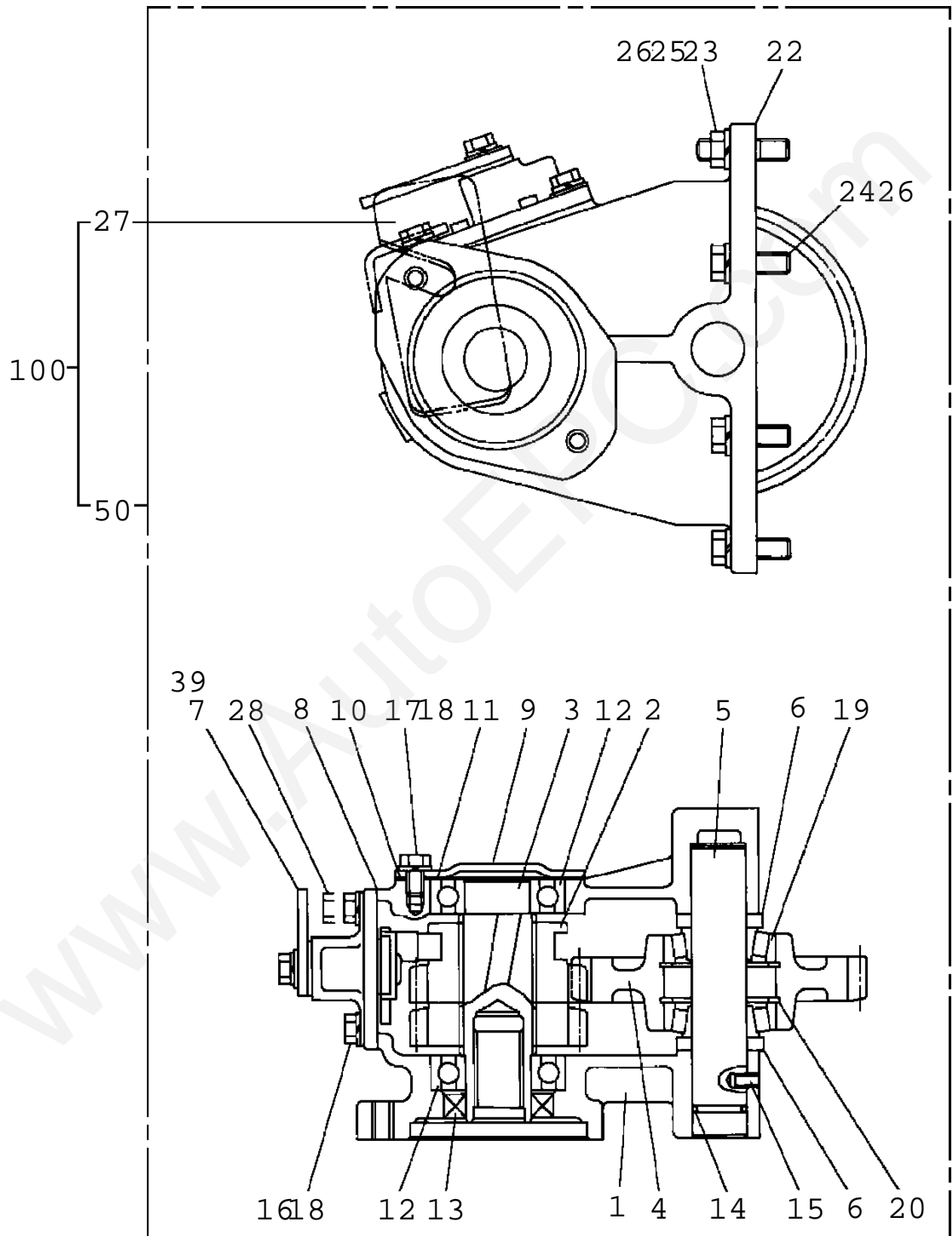
www.AutoEPC.com





**TM-ZF360 41102210021A FRAME/SL,MANUAL**

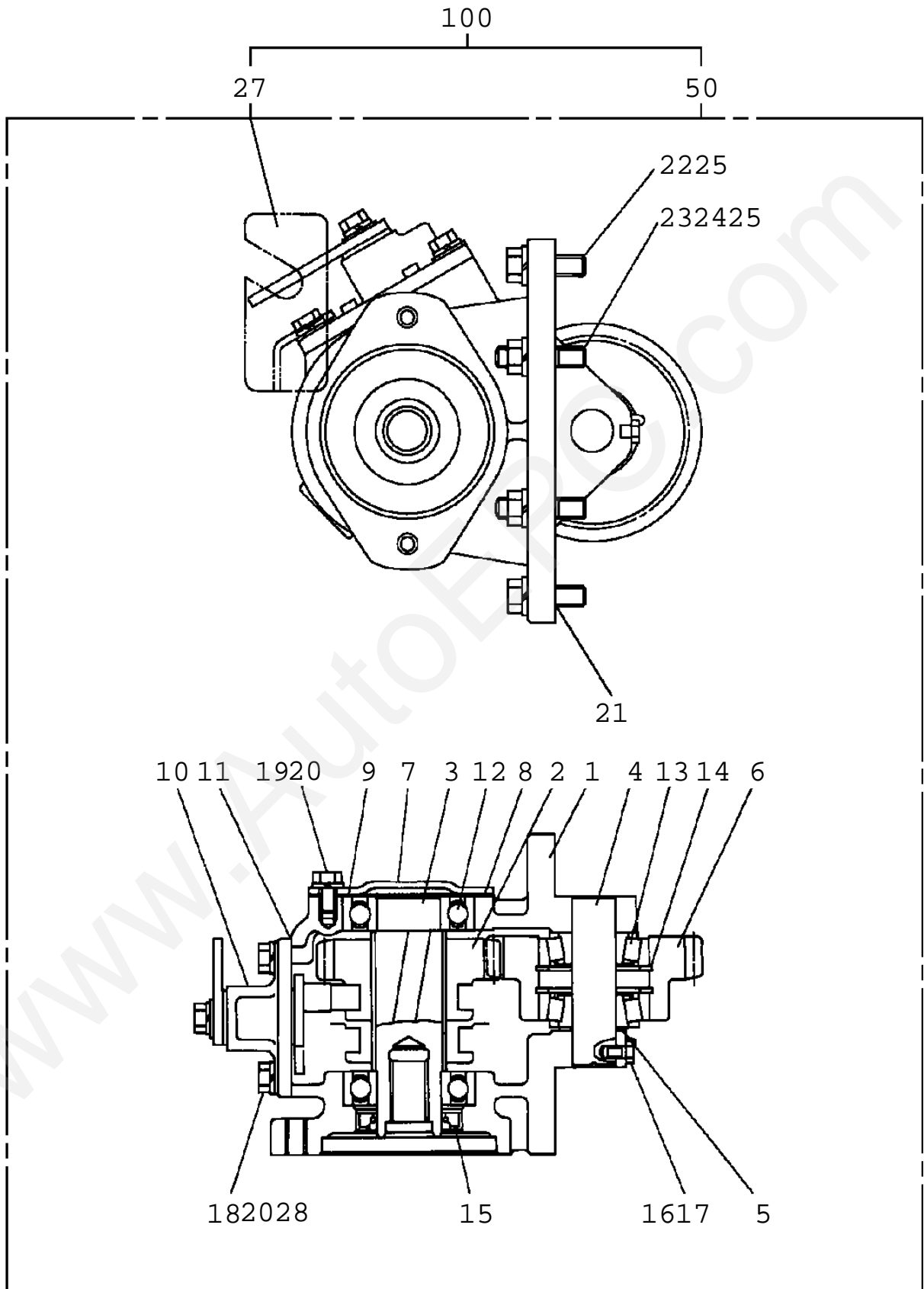
Pos No.	Parts No	Parts Name	Qty	Unit	Technical Data	Serial No (Start)	Seri
1	36401095080	CASE	1				
2	36401095020	GEAR	1				
3	36400915030	SHAFT	1				
4	36401095030	GEAR	1				
5	36400675030	COLLAR	1				
6	36400395050	SHAFT	1				
7	36400095070	COVER (BEARING)	1				
8	36400095080	PACKING (COVER)	1				
9	36400095090	SHIM	1				
10	36400095100	SHIFTER ASSY	1				
11	36400095110	PACKING	1				
12	80500006206	BEARING,BALL	2				
14	36400135070	BEARING	2				
15	80602110620	RING,RITAINING	2		R62		
16	91206030005	SEAL,OIL	1				
17	90101206015	BOLT	1		M6X15		
18	36400095130	WASHER	1				
19	90191208020	BOLT	4		M8X20		
20	90191208014	BOLT	3		M8X14		
21	90302040801	WASHER,SPRING	7		8		
23	36400915060	PACKING	1				
25	36401095040	BOLT	6				
26	90267401200	NUT	6				
27	90302041201	WASHER,SPRING	6		12		
29	90191208025	BOLT	2		M8X25		
30	31790830100	SUPPORT	1				
50	36401090000	POWER TAKE OFF	1				
100	31790840000	POWER TAKE OFF	1				



**TM-ZF360 41102210021A FRAME/SL,MANUAL**

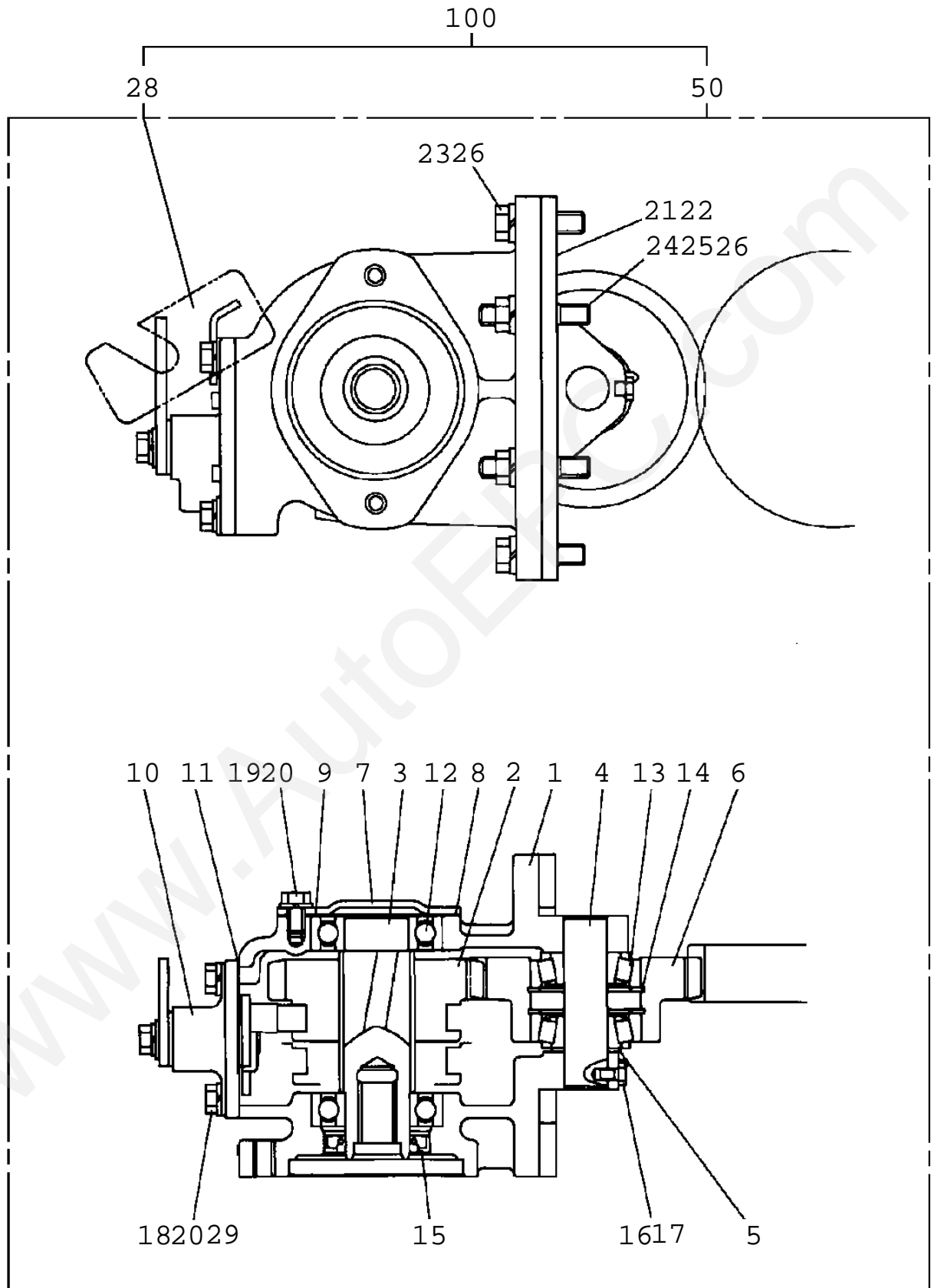
Pos No.	Parts No	Parts Name	Qty	Unit	Technical Data	Serial No (Start)	Ser
1	36400895010	CASE	1				
2	36400895020	GEAR	1				
3	36400895030	SHAFT	1				
4	36400895040	GEAR	1				
5	36400415050	SHAFT	1				
6	36400215070	COLLAR	2				
7	36400225110	SHIFTER SET	1				
8	36400095110	PACKING	1				
9	36400095070	COVER (BEARING)	1				
10	36400095080	PACKING (COVER)	1				
11	36400095090	SHIM	1				
12	80500006206	BEARING,BALL	2				
13	91206030005	SEAL,OIL	1				
14	91001102100	O-RING	1		1A P21		
15	90710006120	SCREW,SET	1		M6X12		
16	90191208020	BOLT	4		M8X20		
17	90191208014	BOLT	3		M8X14		
18	90302040801	WASHER,SPRING	7		8		
19	36400675050	BEARING	2				
20	80602110520	RING,RITAINING	2		R52		
22	36400415100	PACKING (CASE)	1				
23	36400095150	BOLT,STUD	2		M10X1.25/1.5X43		
24	90191210030	BOLT	6		M10X30		
25	90267201000	NUT	2		M10		
26	90302041001	WASHER,SPRING	8		10		
27	31790910100	SUPPORT	1				
28	90191208025	BOLT	2		M8X25		
39	36400225160	SEAL,OIL	1				
50	36401180000	POWER TAKE OFF	1				
100	31790910000	POWER TAKE OFF	1				

TM-ZF360 41102210021A FRAME/SL, MANUAL  
PB1030136-02 POWER TAKE OFF



**TM-ZF360 41102210021A FRAME/SL,MANUAL**

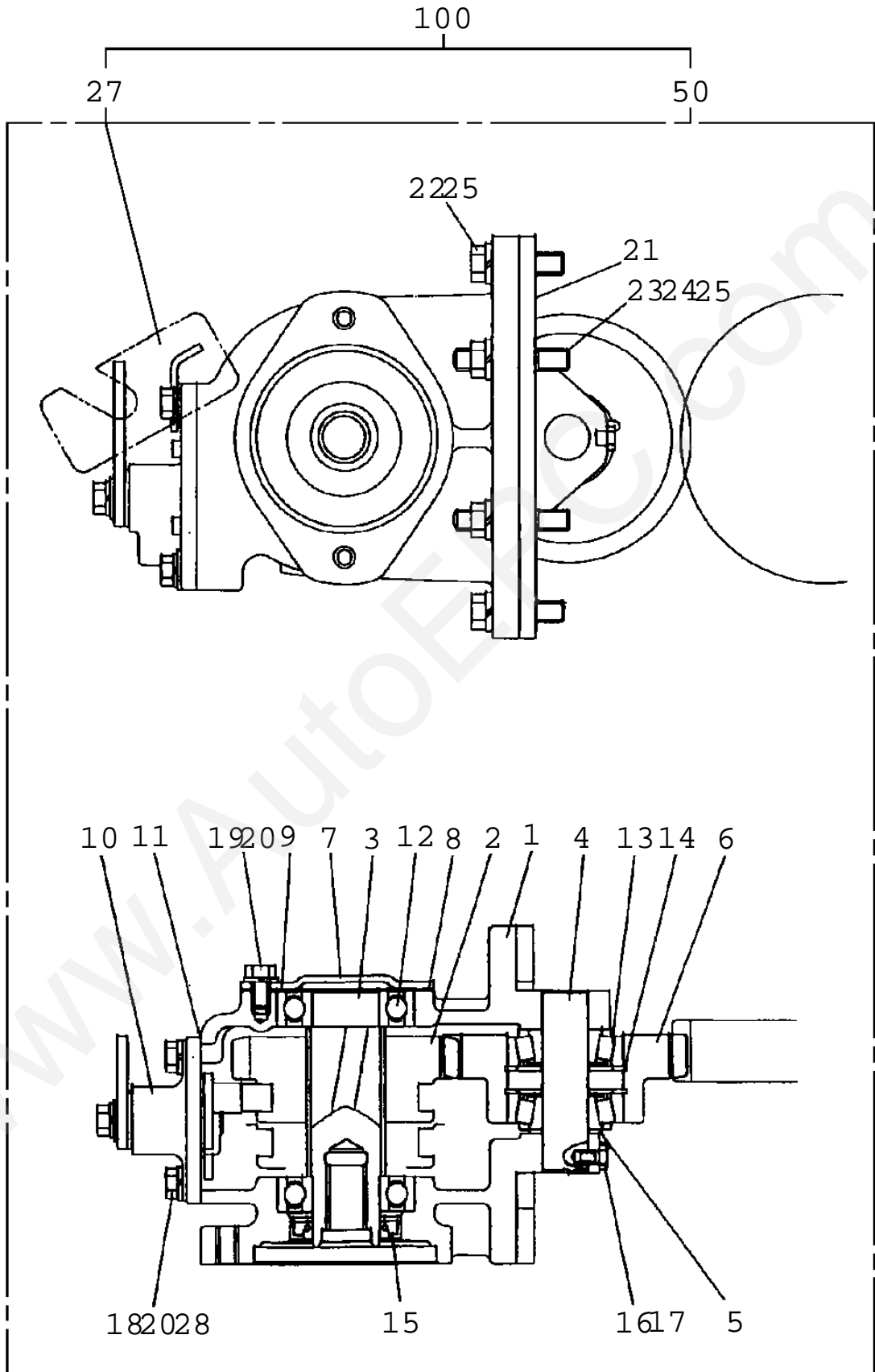
Pos No.	Parts No	Parts Name	Qty	Unit	Technical Data	Serial No (Start)	Ser
1	36401345010	CASE	1				
2	36400865020	GEAR	1				
3	36400895030	SHAFT	1				
4	36400095040	SHAFT	1				
5	36400095050	COLLAR	1				
6	36400865040	GEAR	1				
7	36400095070	COVER (BEARING)	1				
8	36400095080	PACKING (COVER)	1				
9	36400095090	SHIM	1				
10	36400095100	SHIFTER ASSY	1				
11	36400095110	PACKING	1				
12	80500006206	BEARING,BALL	2				
13	36400095120	BEARING	2				
14	80602110520	RING,RITAINING	2		R52		
15	91206030005	SEAL,OIL	1				
16	90101206012	BOLT	1		M6X12		
17	36400095130	WASHER	1				
18	90191208020	BOLT	4		M8X20		
19	90191208014	BOLT	3		M8X14		
20	90302040801	WASHER,SPRING	7		8		
21	36400335030	SHIM	1				
22	90191210030	BOLT	4		M10X30		
23	36400095150	BOLT,STUD	4		M10X1.25/1.5X43		
24	90267201000	NUT	4		M10		
25	90302041001	WASHER,SPRING	8		10		
27	31790670100	SUPPORT	1				
28	90191208025	BOLT	2		M8X25		
50	36401340000	POWER TAKE OFF	1				
100	31790920000	POWER TAKE OFF	1				



**TM-ZF360 41102210021A FRAME/SL,MANUAL**

Pos No.	Parts No	Parts Name	Qty	Unit	Technical Data	Serial No (Start)	Seri
1	36401365010	CASE	1				
2	36401355010	GEAR	1				
3	36401355020	SHAFT	1				
4	36400095040	SHAFT	1				
5	36400095050	COLLAR	1				
6	36401355030	GEAR	1				
7	36400095070	COVER (BEARING)	1				
8	36400095080	PACKING (COVER)	1				
9	36400095090	SHIM	1				
10	36400095100	SHIFTER ASSY	1				
11	36400095110	PACKING	1				
12	80500006206	BEARING,BALL	2				
13	36400095120	BEARING	2				
14	80602110520	RING,RITAINING	2		R52		
15	91206030005	SEAL,OIL	1				
16	90101206012	BOLT	1		M6X12		
17	36400095130	WASHER	1				
18	90191208020	BOLT	4		M8X20		
19	90191208014	BOLT	3		M8X14		
20	90302040801	WASHER,SPRING	7		8		
21	36400345010	SPACER	1				
22	36400335030	SHIM	1				
23	90191210035	BOLT	4		M10X35		
24	36401355040	BOLT	4				
25	90267201000	NUT	4		M10		
26	90302041001	WASHER,SPRING	8		10		
28	31790680100	SUPPORT	1				
29	90191208025	BOLT	2		M8X25		
50	36401350000	POWER TAKE OFF	1				
100	31790930000	POWER TAKE OFF	1				

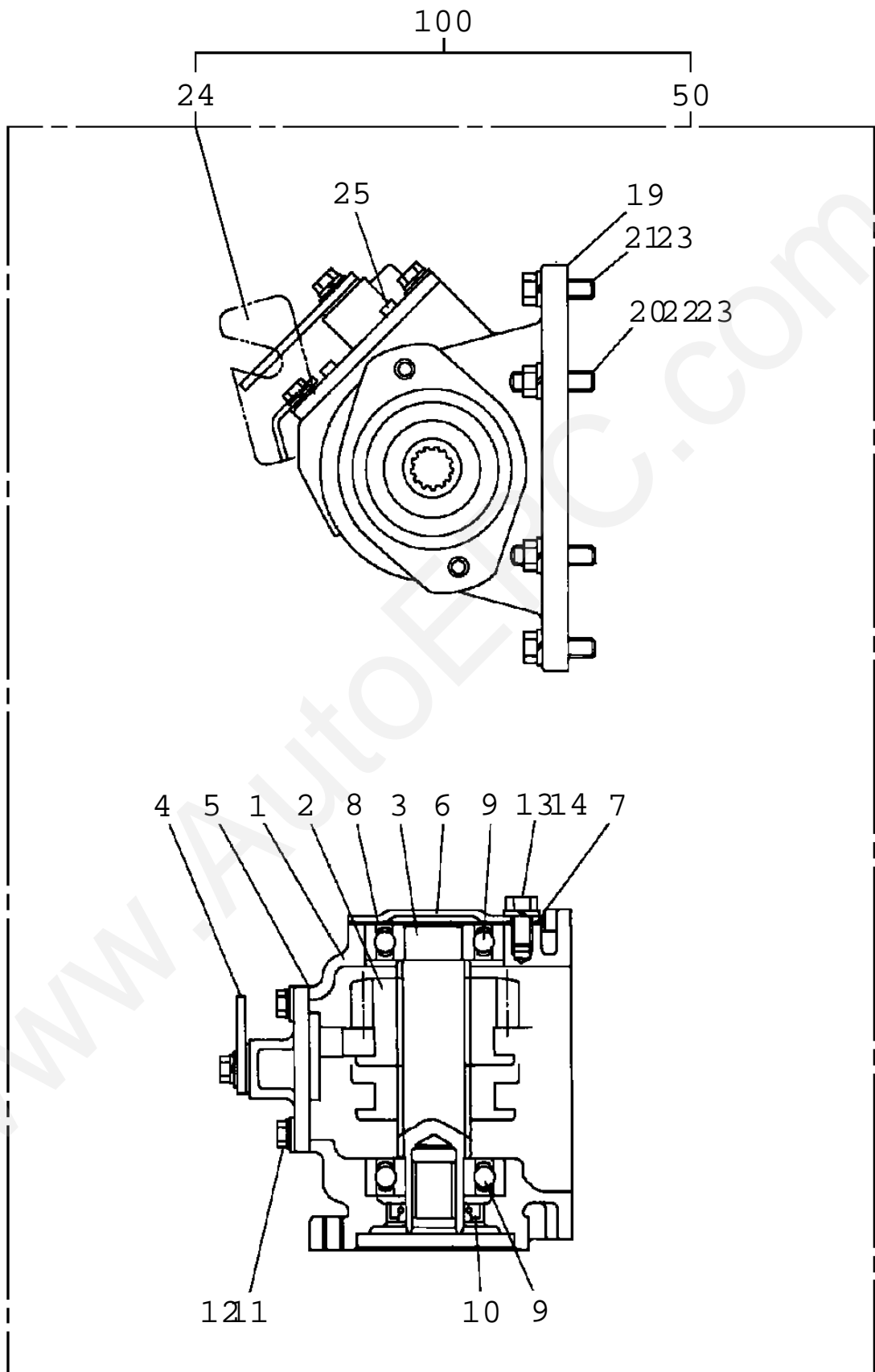




**TM-ZF360 41102210021A FRAME/SL,MANUAL**

Pos No.	Parts No	Parts Name	Qty	Unit	Technical Data	Serial No (Start)	Ser
1	36401365010	CASE	1				
2	36401365020	GEAR	1				
3	36400895030	SHAFT	1				
4	36400095040	SHAFT	1				
5	36400095050	COLLAR	1				
6	36401365030	GEAR	1				
7	36400095070	COVER (BEARING)	1				
8	36400095080	PACKING (COVER)	1				
9	36400095090	SHIM	1				
10	36400095100	SHIFTER ASSY	1				
11	36400095110	PACKING	1				
12	80500006206	BEARING,BALL	2				
13	36400095120	BEARING	2				
14	80602110520	RING,RITAINING	2		R52		
15	91206030005	SEAL,OIL	1				
16	90101206012	BOLT	1		M6X12		
17	36400095130	WASHER	1				
18	90191208020	BOLT	4		M8X20		
19	90191208014	BOLT	3		M8X14		
20	90302040801	WASHER,SPRING	7		8		
21	36400335030	SHIM	1				
22	90191210030	BOLT	4		M10X30		
23	36400095150	BOLT,STUD	4		M10X1.25/1.5X43		
24	90267201000	NUT	4		M10		
25	90302041001	WASHER,SPRING	8		10		
27	31790680100	SUPPORT	1				
28	90191208025	BOLT	2		M8X25		
50	36401360000	POWER TAKE OFF	1				
100	31790940000	POWER TAKE OFF	1				

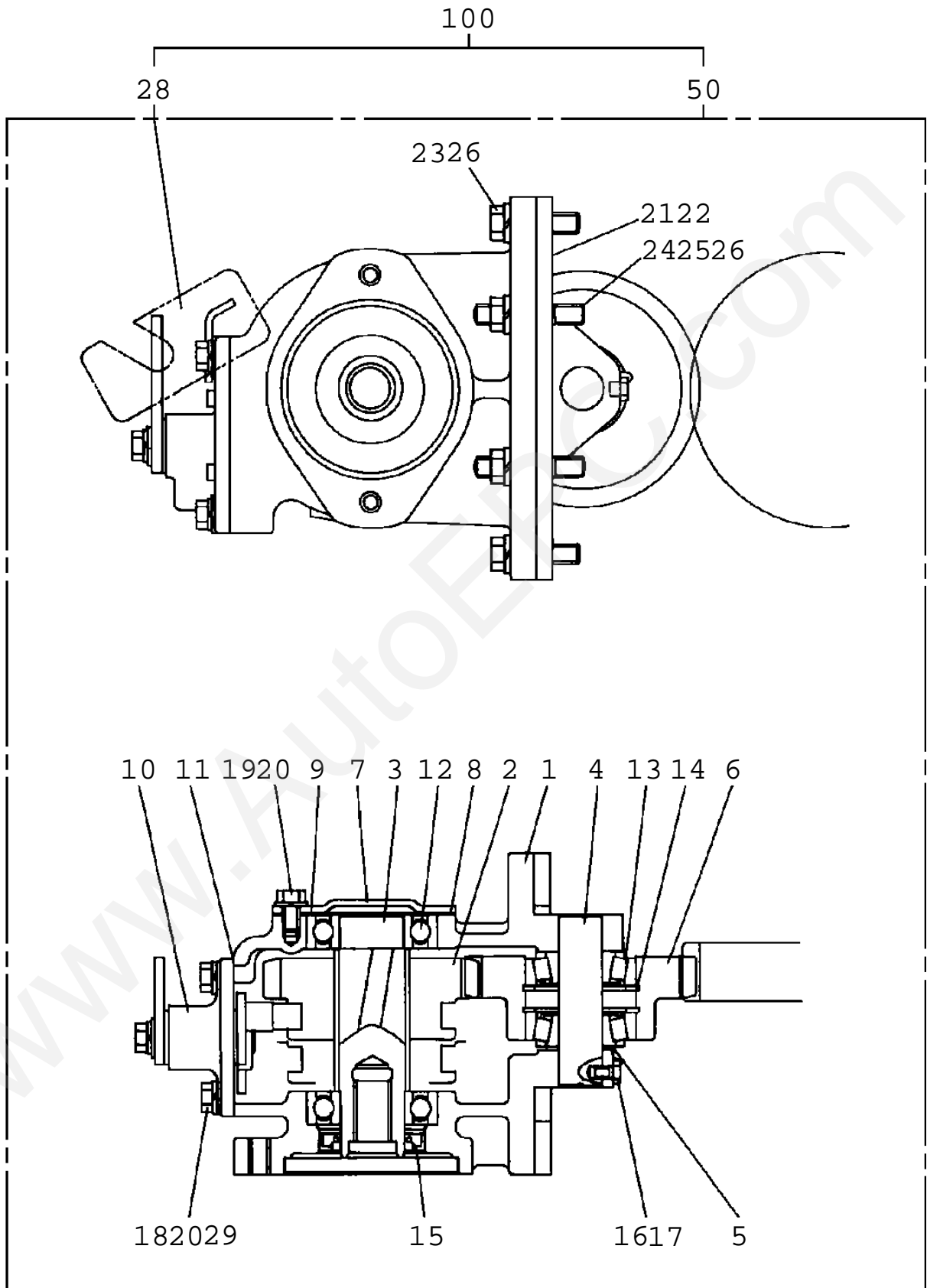
TM-ZF360 41102210021A FRAME/SL, MANUAL  
PB1030141-01 POWER TAKE OFF



**TM-ZF360 41102210021A FRAME/SL,MANUAL**

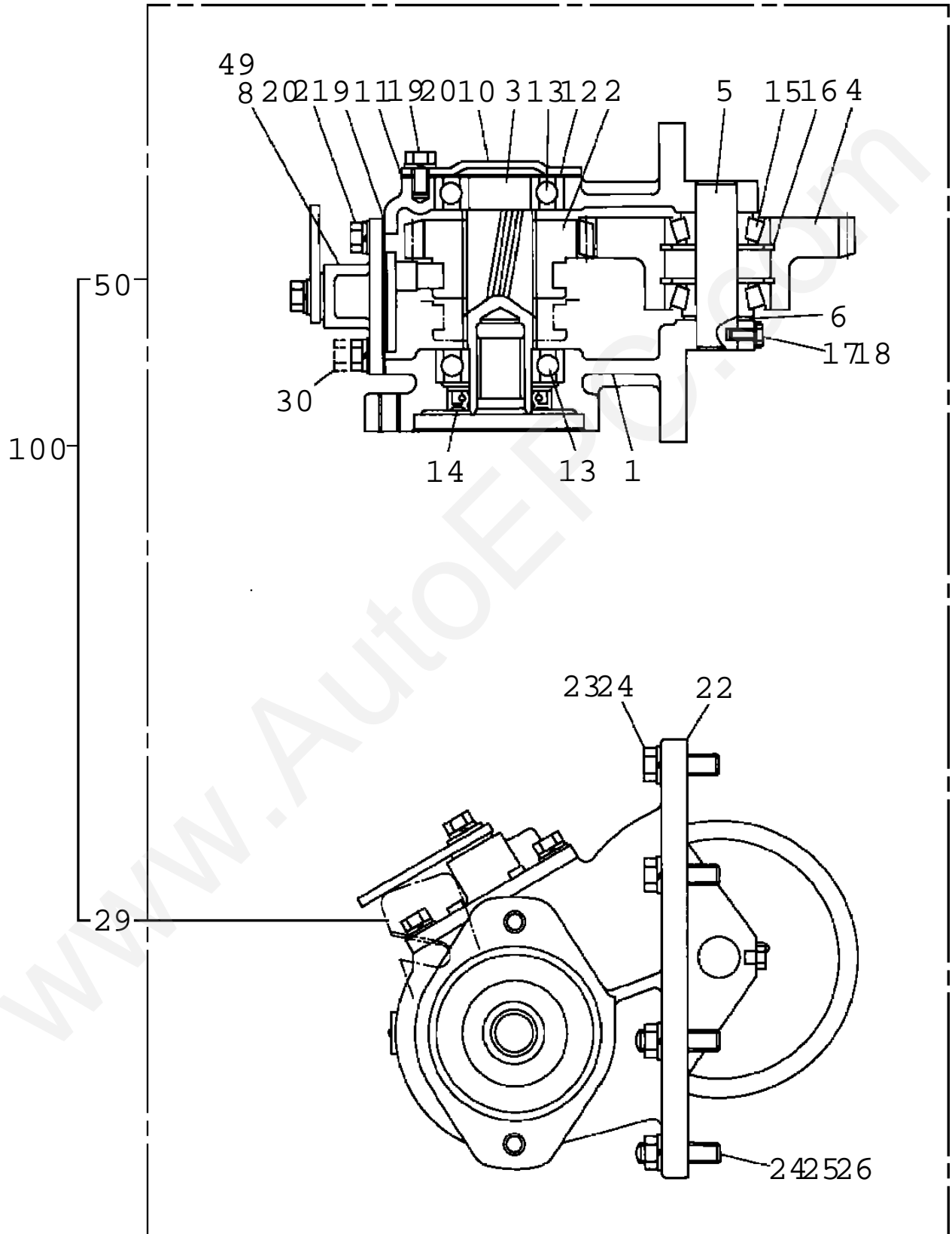
Pos No.	Parts No	Parts Name	Qty	Unit	Technical Data	Serial No (Start)	Ser
1	36401375010	CASE	1				
2	36401375020	GEAR	1				
3	36401375030	SHAFT	1				
4	36401105060	SHIFTER SET	1				
5	36400995080	PACKING	1				
6	36400995040	COVER	1				
7	36400995050	PACKING (COVER)	1				
8	36400995060	SHIM	1				
9	80500006306	BEARING,BALL	2				
10	91206030005	SEAL,OIL	1				
11	90191208020	BOLT	4		M8X20		
12	90302040801	WASHER,SPRING	4		8		
13	90191210016	BOLT	4		M10X16		
14	90302041001	WASHER,SPRING	12		10		
19	36401375050	PACKING	2				
20	36400095150	BOLT,STUD	2		M10X1.25/1.5X43		
21	90191210030	BOLT	6		M10X30		
22	90267201000	NUT	2		M10		
24	31790790100	SUPPORT	1				
25	90191208025	BOLT	2		M8X25		
50	36401370000	POWER TAKE OFF	1				
100	31790950000	POWER TAKE OFF	1				

www.AutoEPC.com



**TM-ZF360 41102210021A FRAME/SL,MANUAL**

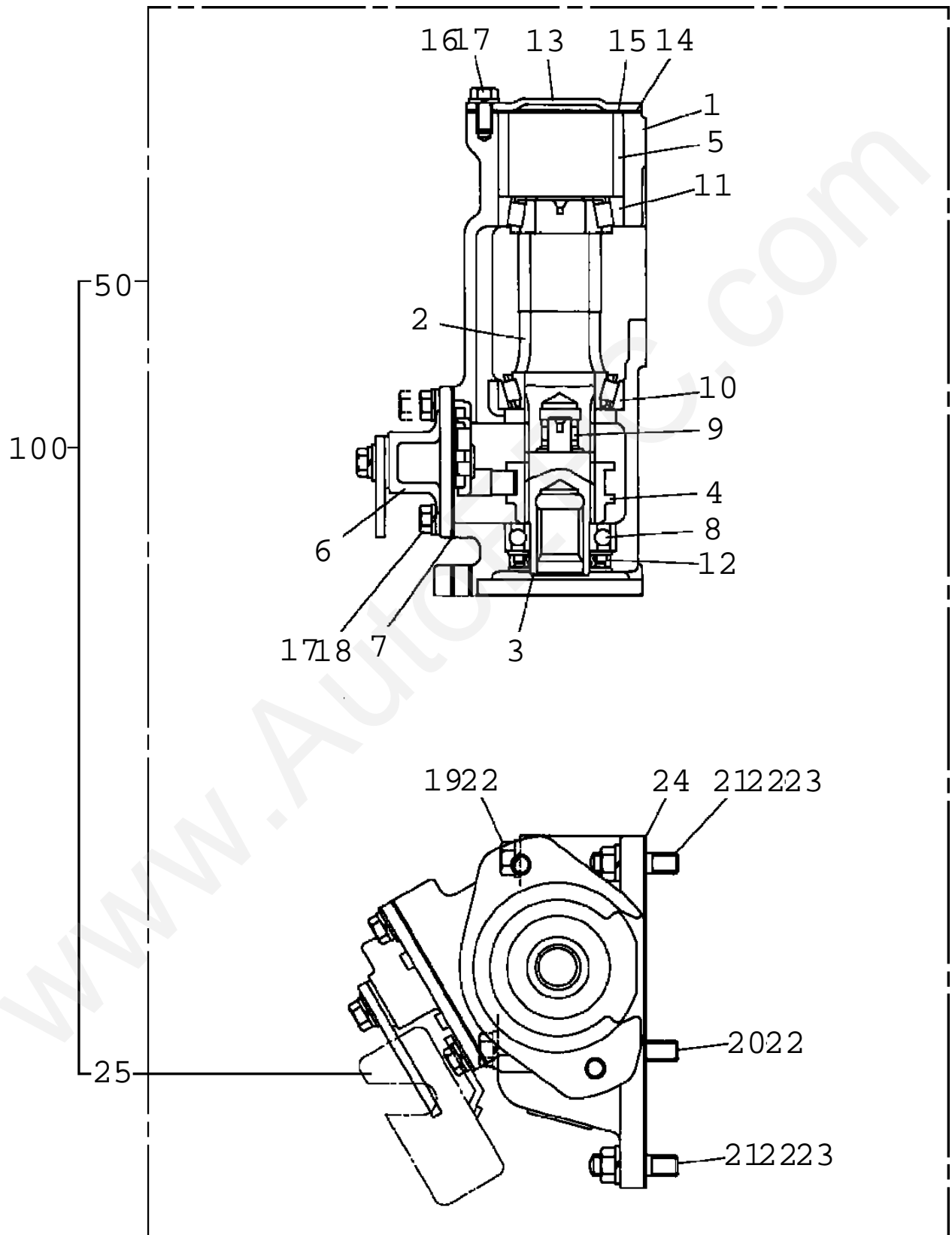
Pos No.	Parts No	Parts Name	Qty	Unit	Technical Data	Serial No (Start)	Seri
1	36401365010	CASE	1				
2	36401385010	GEAR	1				
3	36400895030	SHAFT	1				
4	36400095040	SHAFT	1				
5	36400095050	COLLAR	1				
6	36401385020	GEAR	1				
7	36400095070	COVER (BEARING)	1				
8	36400095080	PACKING (COVER)	1				
9	36400095090	SHIM	1				
10	36400095100	SHIFTER ASSY	1				
11	36400095110	PACKING	1				
12	80500006206	BEARING,BALL	2				
13	36400095120	BEARING	2				
14	80602110520	RING,RITAINING	2		R52		
15	91206030005	SEAL,OIL	1				
16	90101206012	BOLT	1		M6X12		
17	36400095130	WASHER	1				
18	90191208020	BOLT	4		M8X20		
19	90191208014	BOLT	3		M8X14		
20	90302040801	WASHER,SPRING	7		8		
21	36400345010	SPACER	1				
22	36400335030	SHIM	1				
23	90191210035	BOLT	4		M10X35		
24	36401385030	BOLT	4				
25	90267201000	NUT	4		M10		
26	90302041001	WASHER,SPRING	8		10		
28	31790680100	SUPPORT	1				
29	90191208025	BOLT	1		M8X25		
50	36401380000	POWER TAKE OFF	1				
100	31790960000	POWER TAKE OFF	1				



**TM-ZF360 41102210021A FRAME/SL,MANUAL**

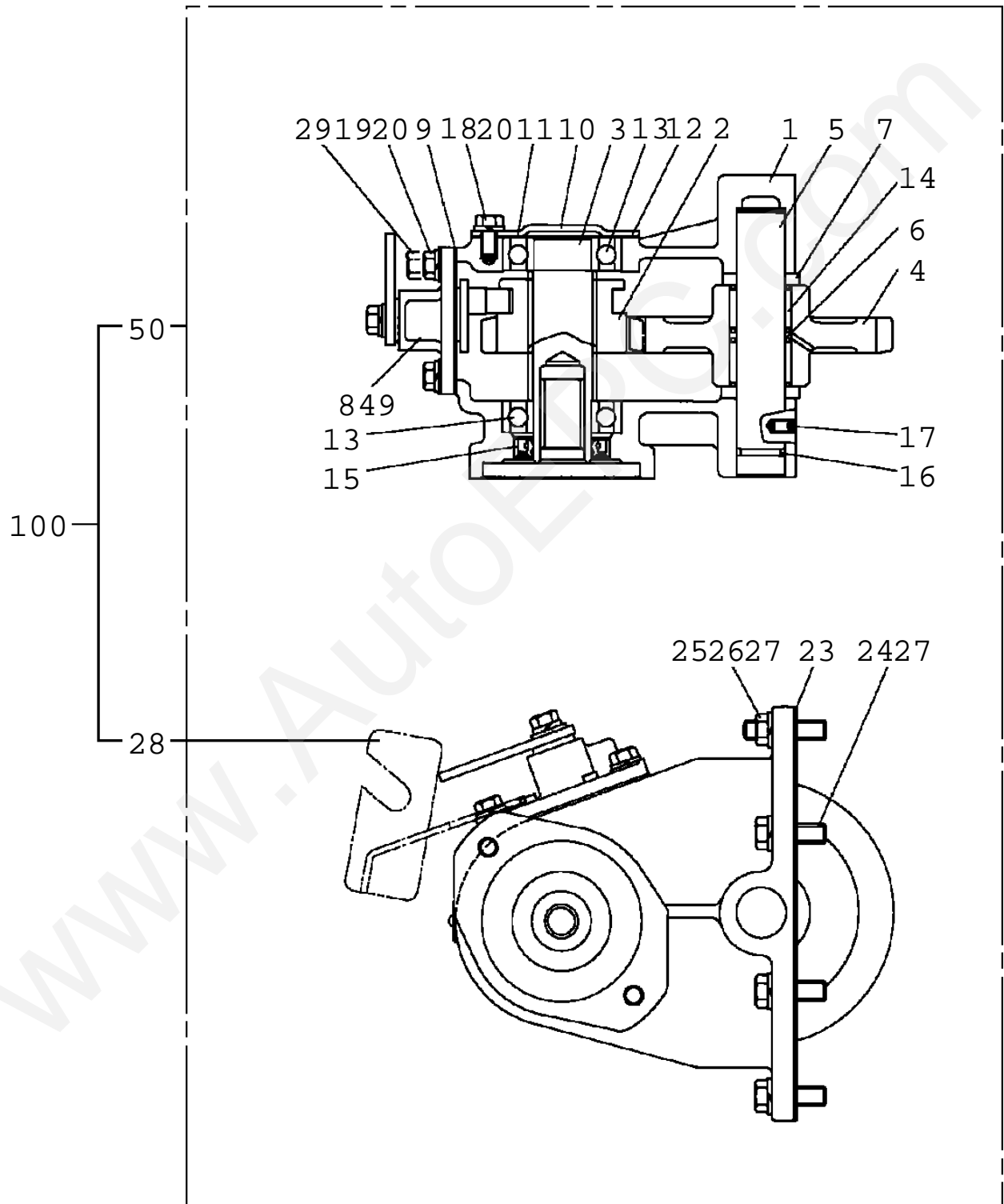
Pos No.	Parts No	Parts Name	Qty	Unit	Technical Data	Serial No (Start)	Ser
1	36400905010	CASE	1				
2	36400905020	GEAR	1				
3	36400865030	SHAFT	1				
4	36400905030	GEAR	1				
5	36400095040	SHAFT	1				
6	36400095050	COLLAR	1				
8	36400225110	SHIFTER SET	1				
9	36400095110	PACKING	1				
10	36400095070	COVER (BEARING)	1				
11	36400095080	PACKING (COVER)	1				
12	36400095090	SHIM	1				
13	80500006206	BEARING,BALL	2				
14	91206030005	SEAL,OIL	1				
15	36400095120	BEARING	2				
16	80602110520	RING,RITAINING	2		R52		
17	36400095130	WASHER	12				
18	90101206012	BOLT	1		M6X12		
19	90191208014	BOLT	3		M8X14		
20	90302040801	WASHER,SPRING	7		8		
21	90191208020	BOLT	4		M8X20		
22	36400415100	PACKING (CASE)	1				
23	90191210030	BOLT	4		M10X30		
24	90302041001	WASHER,SPRING	8		10		
25	36400095150	BOLT,STUD	4		M10X1.25/1.5X43		
26	90267201000	NUT	4		M10		
29	31790910100	SUPPORT	1				
30	90191208025	BOLT	2		M8X25		
49	36400225160	SEAL,OIL	1				
50	36401410000	POWER TAKE OFF	1				
100	31790980000	POWER TAKE OFF	1				





**TM-ZF360 41102210021A FRAME/SL,MANUAL**

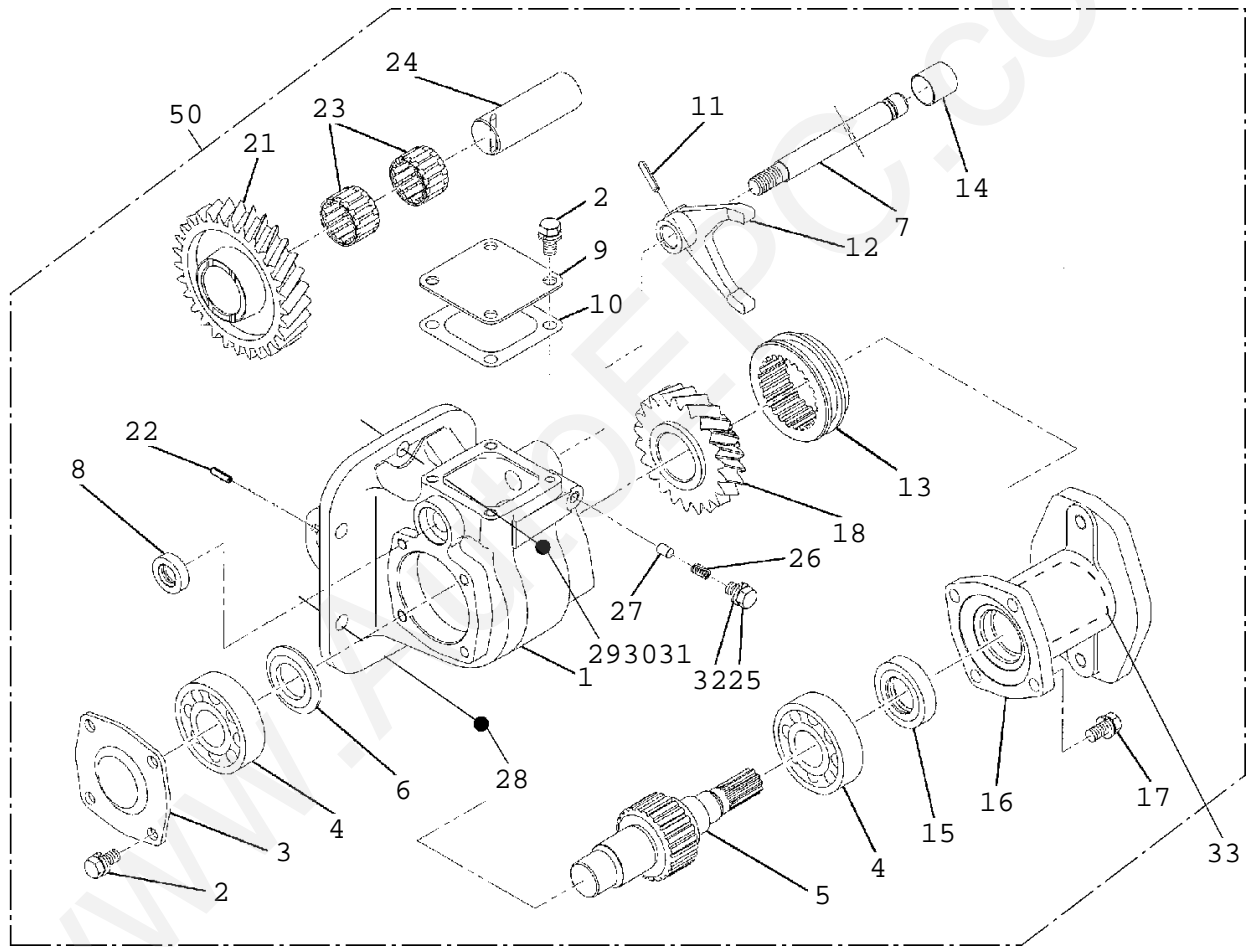
Pos No.	Parts No	Parts Name	Qty	Unit	Technical Data	Serial No (Start)	Ser
1	36401425010	CASE	1				
2	36401425020	GEAR (TO)	1				
3	36400775010	SHAFT	1				
4	36401125040	SLEEVE	1				
5	36401135070	COLLAR	1				
6	36400095100	SHIFTER ASSY	1				
7	36400095110	PACKING	1				
8	80500006006	BEARING,BALL	1				
9	36400765050	BEARING,NEEDLE	1				
10	36401125080	BEARING,ROLLER	1				
11	36400765070	BEARING	1				
12	91206030005	SEAL,OIL	1				
13	36400095070	COVER (BEARING)	1				
14	36400095080	PACKING (COVER)	1				
15	36400095090	SHIM	N				
16	90191208014	BOLT	3		M8X14		
17	90302040801	WASHER,SPRING	7		8		
18	90191208020	BOLT	4		M8X20		
19	90191210080	BOLT	1		M10X80		
20	90191210090	BOLT	2		M10X90		
21	36400095150	BOLT,STUD	3		M10X1.25/1.5X43		
22	90302041001	WASHER,SPRING	6		10		
23	90267201000	NUT	3		M10		
24	36401125120	PACKING (CASE)	1				
25	31790770100	SUPPORT	1				
50	36401440000	POWER TAKE OFF	1				
100	31791000000	POWER TAKE OFF	1				



**TM-ZF360 41102210021A FRAME/SL,MANUAL**

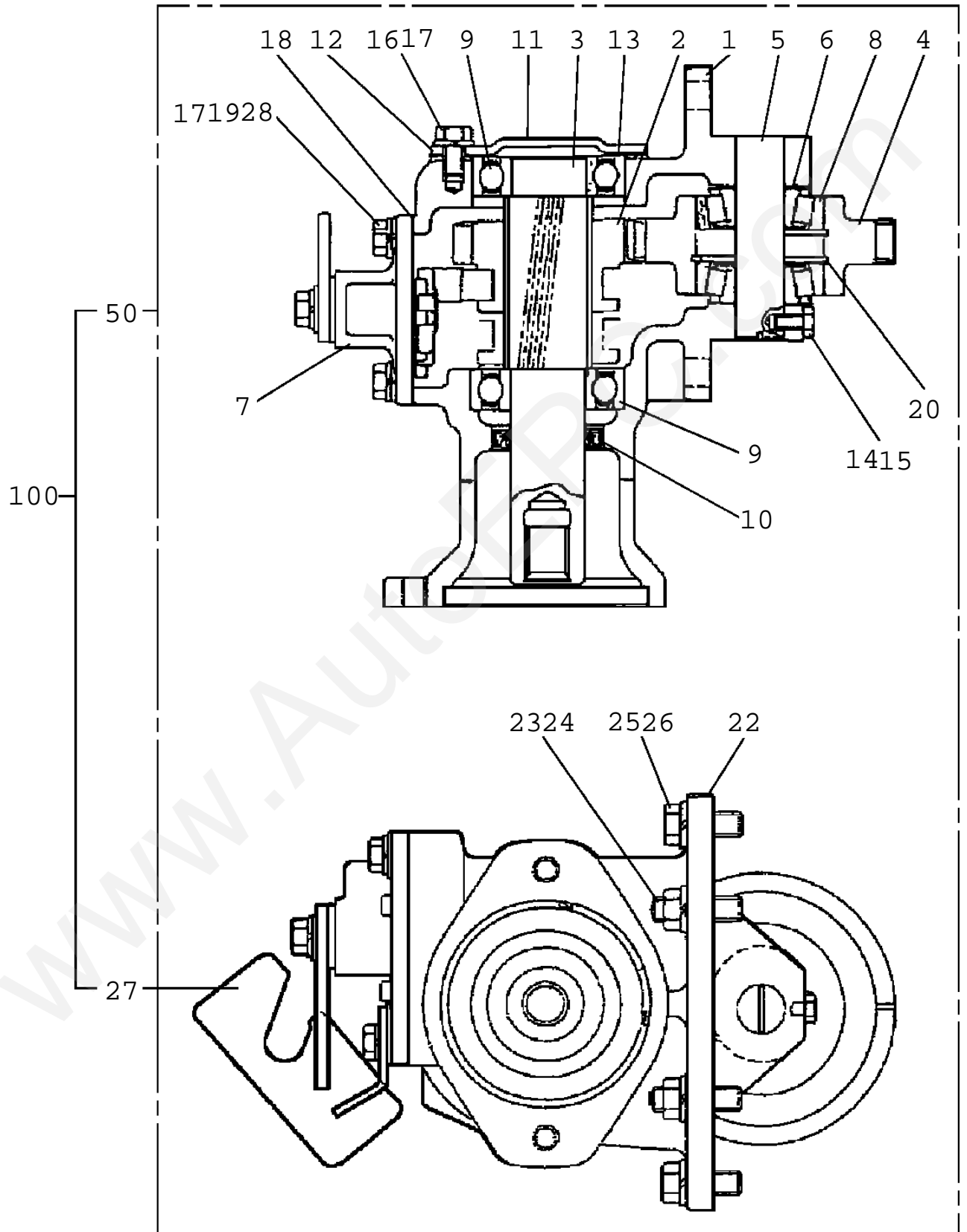
Pos No.	Parts No	Parts Name	Qty	Unit	Technical Data	Serial No (Start)	Ser
1	36400895010	CASE	1				
2	36401115010	GEAR	1				
3	36400895030	SHAFT	1				
4	36401115020	GEAR	1				
5	36400415050	SHAFT	1				
6	36400415060	COLLAR	1				
7	36400215070	COLLAR	2				
8	36400225110	SHIFTER SET	1				
9	36400095110	PACKING	1				
10	36400095070	COVER (BEARING)	1				
11	36400095080	PACKING (COVER)	1				
12	36400095090	SHIM	N				
13	80500006206	BEARING, BALL	2				
14	36400415090	BEARING, NEEDLE	2				
15	91206030005	SEAL, OIL	1				
16	91001102100	O-RING	1		1A P21		
17	90710006120	SCREW, SET	1		M6X12		
18	90191208014	BOLT	3		M8X14		
19	90191208020	BOLT	4		M8X20		
20	90302040801	WASHER, SPRING	7		8		
23	36400415100	PACKING (CASE)	1				
24	90191210030	BOLT	6		M10X30		
25	36400095150	BOLT, STUD	2		M10X1.25/1.5X43		
26	90267201000	NUT	2		M10		
27	90302041001	WASHER, SPRING	8		10		
28	31790720100	SUPPORT	1				
29	90191208025	BOLT	2		M8X25		
49	36400225160	SEAL, OIL	1				
50	36401500000	POWER TAKE OFF	1				
100	31791020000	POWER TAKE OFF	1				

TM-ZF360 41102210021A FRAME/SL, MANUAL  
PB1030153-01 POWER TAKE OFF



**TM-ZF360 41102210021A FRAME/SL,MANUAL**

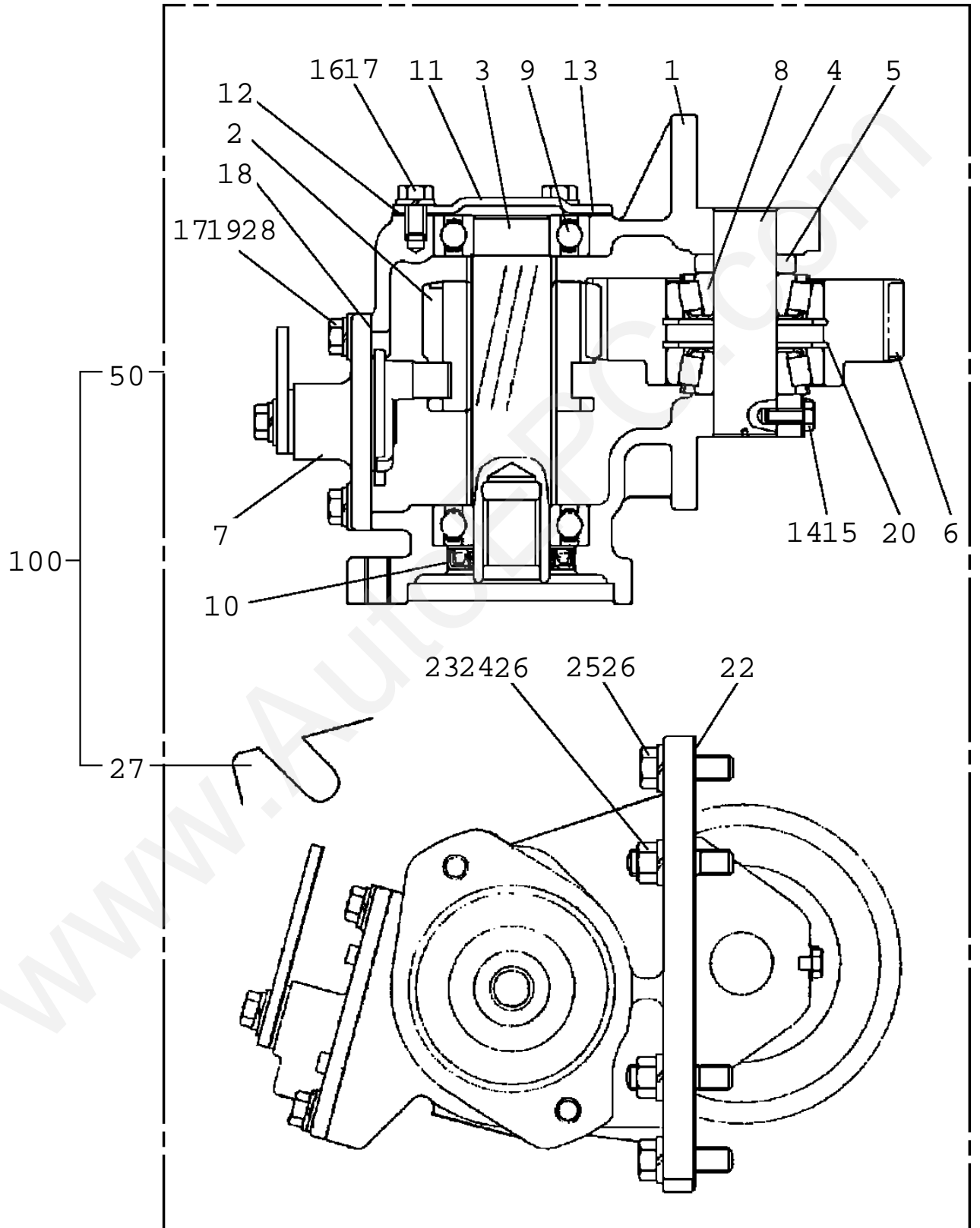
Pos No.	Parts No	Parts Name	Qty	Unit	Technical Data	Serial
1	36401595010	CASE,GEAR	1			
2	52230312180	BOLT (WITH WASHER)	8		M8X1.25	
3	52230308050	COVER (CASE)	1			
4	80500006305	BEARING,BALL	2			
5	52230312021	SHAFT (OUTPUT)	1			
6	36401595020	COLLAR (THRUST)	1			
7	52230312140	ROD (SHAFT)	1			
8	52230312030	SEAL,OIL	1			
9	52230312190	COVER (UPPER)	1			
10	52230312200	PACKING (COVER)	1			
11	52230308130	PIN,SPRING	1		4X24	
12	36401595030	ARM (SHAFT)	1			
13	52230312220	SLEEVE	1			
14	52230308170	PLUG (SHAFT)	1			
15	52230312051	SEAL,OIL	1			
16	52230312060	ADAPTER	1			
17	52230312230	BOLT (WITH WASHER)	4		M8X1.25	
18	52230313110	GEAR ASSY (OUTPUT)	1			
21	52230313090	GEAR, IDLE	1			
22	52230312260	PIN,SPRING	1			
23	52230312090	BEARING,NEEDLE	2			
24	52230308100	SHAFT (IDLE)	1			
25	52230312270	BOLT,HEXAGON SOCKET	1		M8X1.25	
26	52230308160	SPRING (LOCK)	1			
27	52230312150	PIN (LOCK)	1			
28	52230312280	BOLT	3		M8X1.25	
29	52230312120	BOLT,STUD	3			
30	90302041001	WASHER,SPRING	3		10	
31	90267201000	NUT	3		M10	
32	52230312160	WASHER,SPRING	1			
33	52230307020	COUPLING	1			
50	36401609510	POWER TAKE OFF (WITHOUT COUPLING)	1			



**TM-ZF360 41102210021A FRAME/SL,MANUAL**

Pos No.	Parts No	Parts Name	Qty	Unit	Technical Data	Serial No (Start)	Seri
1	36401515010	CASE	1				
2	36401515020	GEAR (TO)	1				
3	36401665010	SHAFT	1				
4	36401665020	GEAR	1				
5	36400095040	SHAFT	1				
6	36400095050	COLLAR	1				
7	36400095100	SHIFTER ASSY	1				
8	36400095120	BEARING	2				
9	80500006206	BEARING,BALL	2				
10	91280416790	SEAL,OIL	1				
11	36400095070	COVER (BEARING)	1				
12	36400095080	PACKING (COVER)	1				
13	36400095090	SHIM	N				
14	90101206012	BOLT	1		M6X12		
15	36400095130	WASHER	1				
16	90191208014	BOLT	3		M8X14		
17	90302040801	WASHER,SPRING	7		8		
18	36400095110	PACKING	1				
19	90191208020	BOLT	4		M8X20		
20	80602110520	RING,RITAINING	2		R52		
22	36400055070	PACKING	1				
23	36400195030	BOLT,STUD	4				
24	90267201000	NUT	4		M10		
25	90193210025	BOLT	2		M10X25		
26	90302041001	WASHER,SPRING	6		10		
27	31790660100	SUPPORT	1				
28	90191208025	BOLT	2		M8X25		
50	36401660000	POWER TAKE OFF	1				
100	31791580000	POWER TAKE OFF	1				

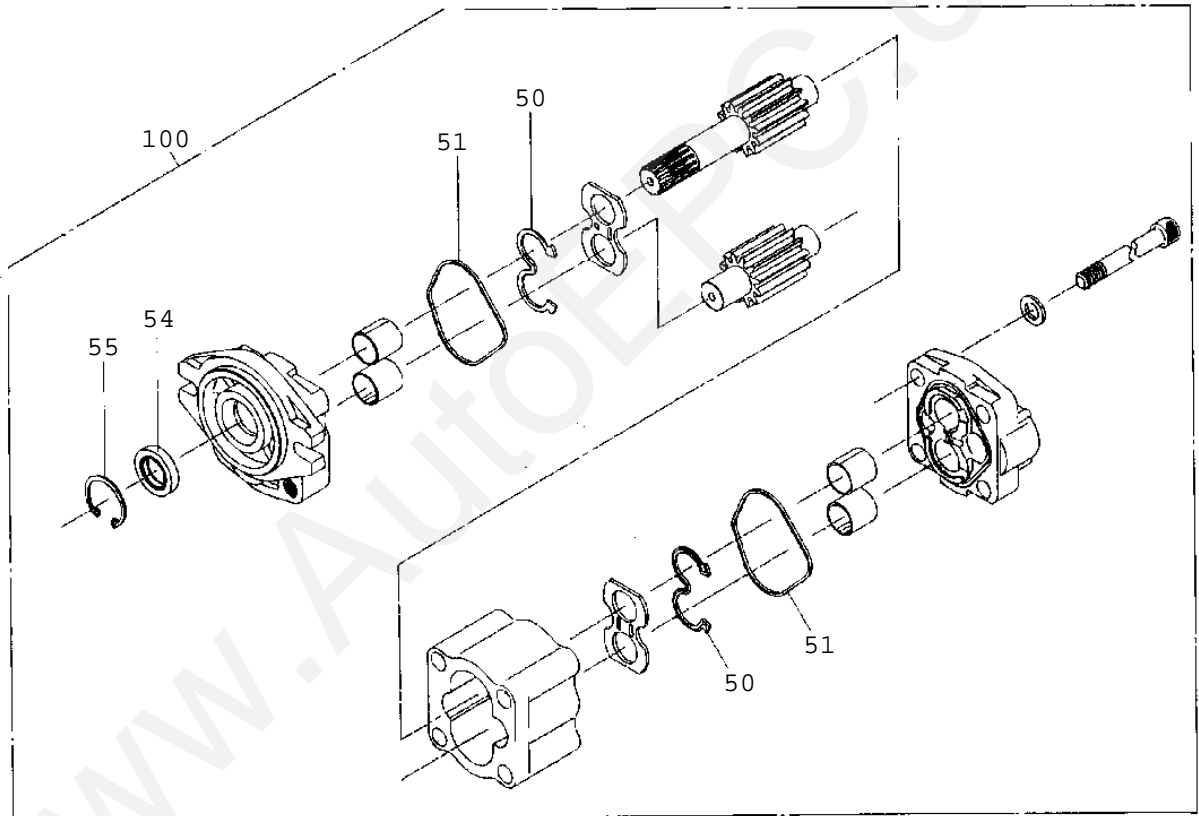




**TM-ZF360 41102210021A FRAME/SL,MANUAL**

Pos No.	Parts No	Parts Name	Qty	Unit	Technical Data	Serial No (Start)	Ser
1	36401685010	CASE	1				
2	36401685020	GEAR	1				
3	36401685030	SHAFT	1				
4	36400395050	SHAFT	1				
5	36401675040	COLLAR	1				
6	36401685040	GEAR	1				
7	36401675060	SHIFTER SET	1				
8	36400135070	BEARING	2				
9	80500006206	BEARING,BALL	2				
10	91206030005	SEAL,OIL	1				
11	36400095070	COVER (BEARING)	1				
12	36400095080	PACKING (COVER)	1				
13	36400095090	SHIM	N				
14	90101206015	BOLT	1		M6X15		
15	36400095130	WASHER	1				
16	90191208014	BOLT	3		M8X14		
17	90302040801	WASHER,SPRING	7		8		
18	36400995080	PACKING	1				
19	90191208020	BOLT	4		M8X20		
20	80602110620	RING,RITAINING	2		R62		
22	36401675080	SHIM	N				
23	36400095150	BOLT,STUD	4		M10X1.25/1.5X43		
24	90267201000	NUT	4		M10		
25	90191210030	BOLT	4		M10X30		
26	90302041001	WASHER,SPRING	8		10		
27	31791060100	SUPPORT	1				
28	90191208025	BOLT	2		M8X25		
50	36401680000	POWER TAKE OFF	1				
100	31791490000	POWER TAKE OFF	1				

TM-ZF360 41102210021A FRAME/SL, MANUAL  
PB1100099-00 PUMP, HYDRAULIC (LEFT, SPLINE 13)

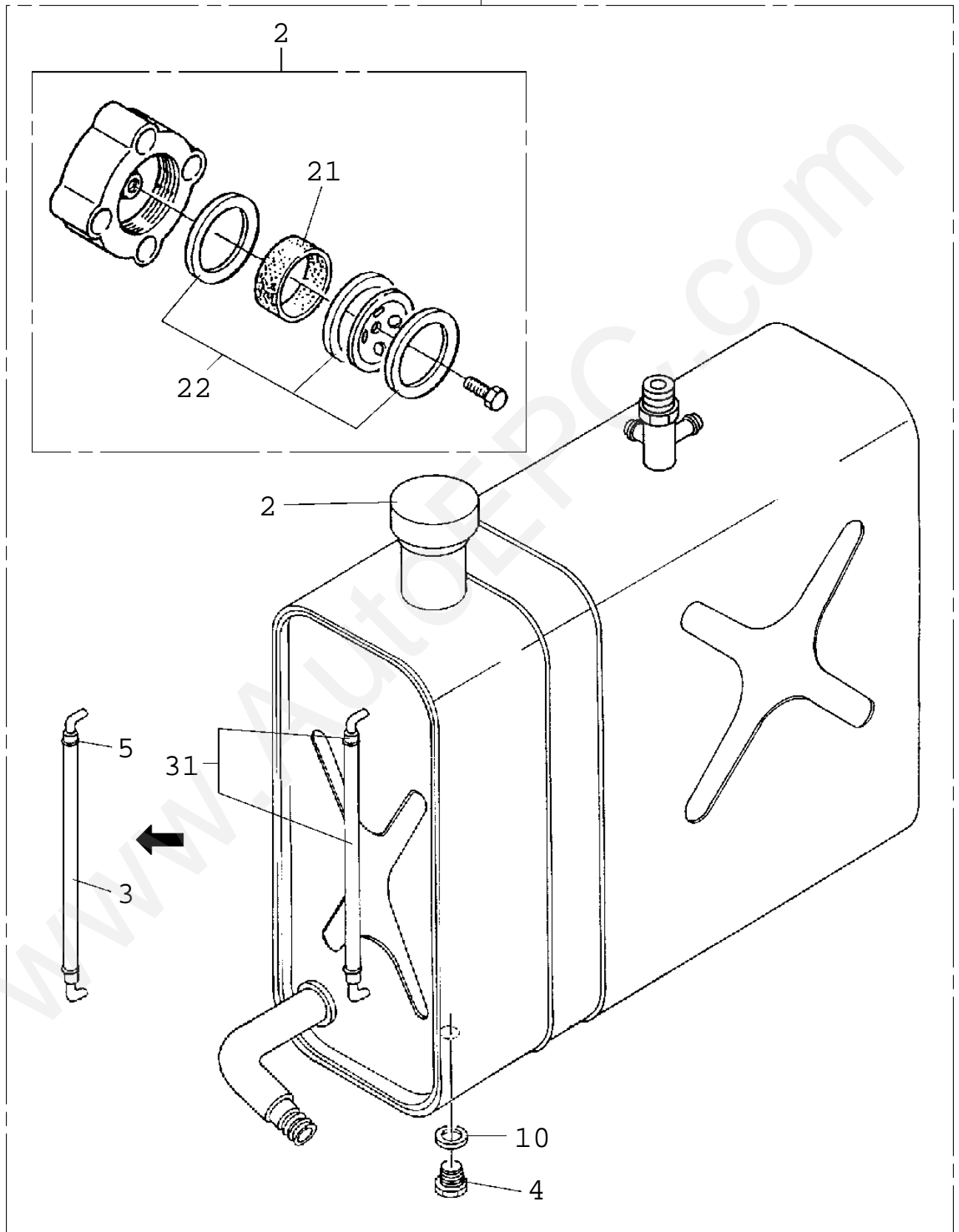


**TM-ZF360 41102210021A FRAME/SL,MANUAL**

Pos No.	Parts No	Parts Name	Qty	Unit	Technical Data	Serial
50	36652335010	GASKET	2			
51	36652335020	GASKET	2			
54	53063551010	SEAL,OIL	1			
55	80602110360	RING,RITAINING	1		R36	
100	36652730000	PUMP,HYDRAULIC (LEFT,SPLINE 13)	1			

www.AutoEPC.com

100

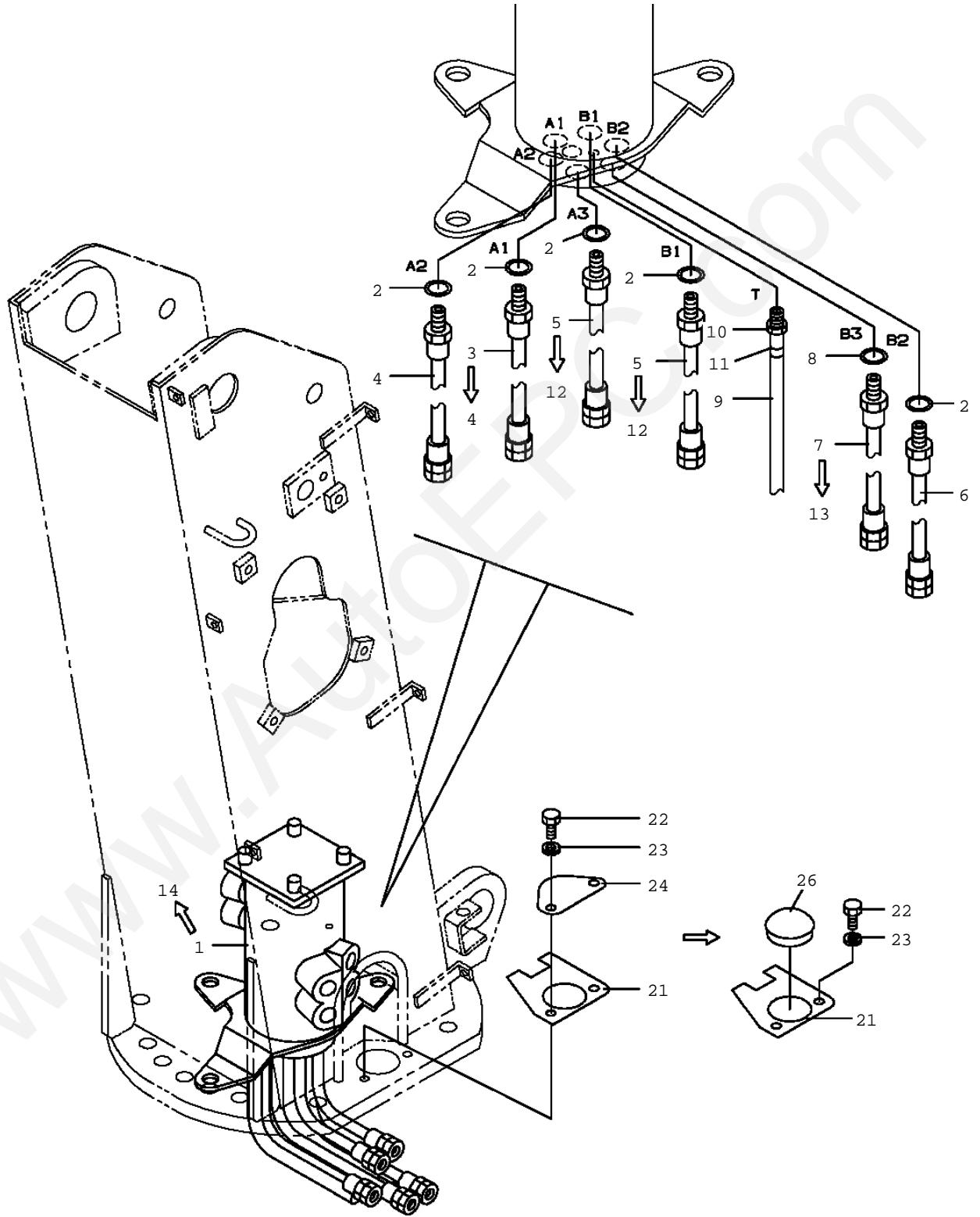


**TM-ZF360 41102210021A FRAME/SL,MANUAL**

Pos No.	Parts No	Parts Name	Qty	Unit	Technical Data	Serial No (St
2	36101895020	BREATHER ASSY (OB-10B)	1			
4	31660005030	PLUG	1			
10	31660005042	WASHER,SEAL	1		M20	
21	53156005010	ELEMENT (OB-10T & OB-10B)	1			
22	36101895030	RETAINER ASSY	1			
31	31660005021	GAUGE ASSY	1		L=290	
100	36101890000	TANK,OIL	1			

www.AutoEPC.com

TM-ZF360 41102210021A FRAME/SL, MANUAL  
PB1300177-03 JOINT, ROTARY (MOUNT)

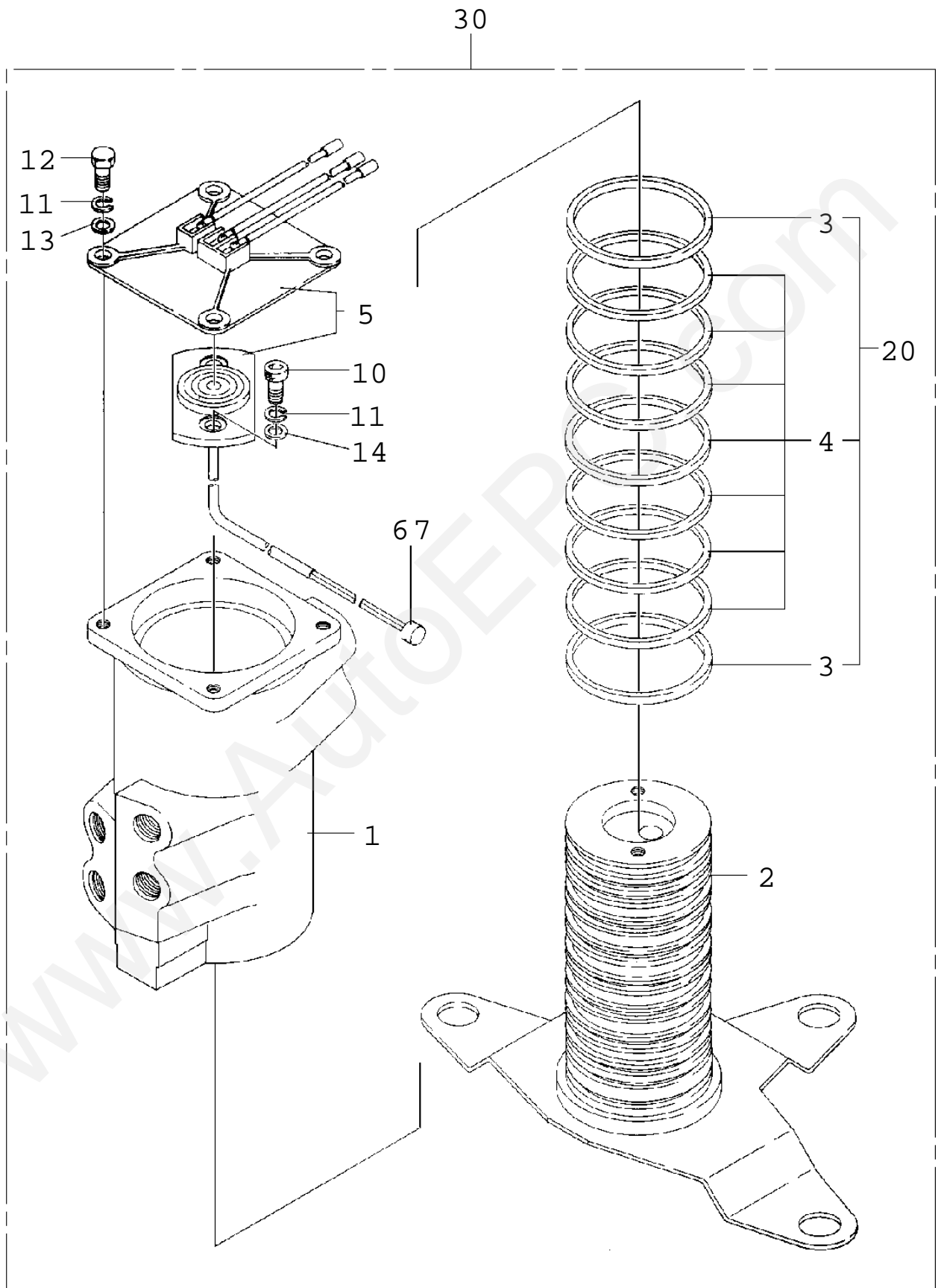


**TM-ZF360 41102210021A FRAME/SL, MANUAL**

Pos No.	Parts No	Parts Name	Qty	Unit	Technical Data	Serial No (Start)	Seri
1	31630730000	JOINT, ROTARY	1				EP06
2	91002801400	O-RING	5		1B P14		
3	37002440270	HOSE	1		L=1000		EE49
4	37002439140	HOSE	1		L=1000		EE49
	37002439140	HOSE	2		L=1000	EE4913	
5	37002450950	HOSE	2		L=930		EE49
6	37002450960	HOSE	1		L=890		
7	37002450970	HOSE	1		L=890		EE49
8	91002801100	O-RING	1		1B P11		
9	37002506230	HOSE	1		L=475		
10	31641031000	JOINT	1				
11	91803600200	CLIP	1		D=13-20		
12	37002458020	HOSE	2		L=930	EE4913	
13	37002458030	HOSE	1		L=890	EE4913	
14	(*****)	JOINT, ROTARY	1			EP0637	
21	31630481000	PLATE	1				
22	90171110020	BOLT	2		M10X20		
23	90302041001	WASHER, SPRING	2		10		
24	31630482000	PLATE	1				EP04
26	31630482500	CAP	1			EP0497	

www.AutoEPC.com



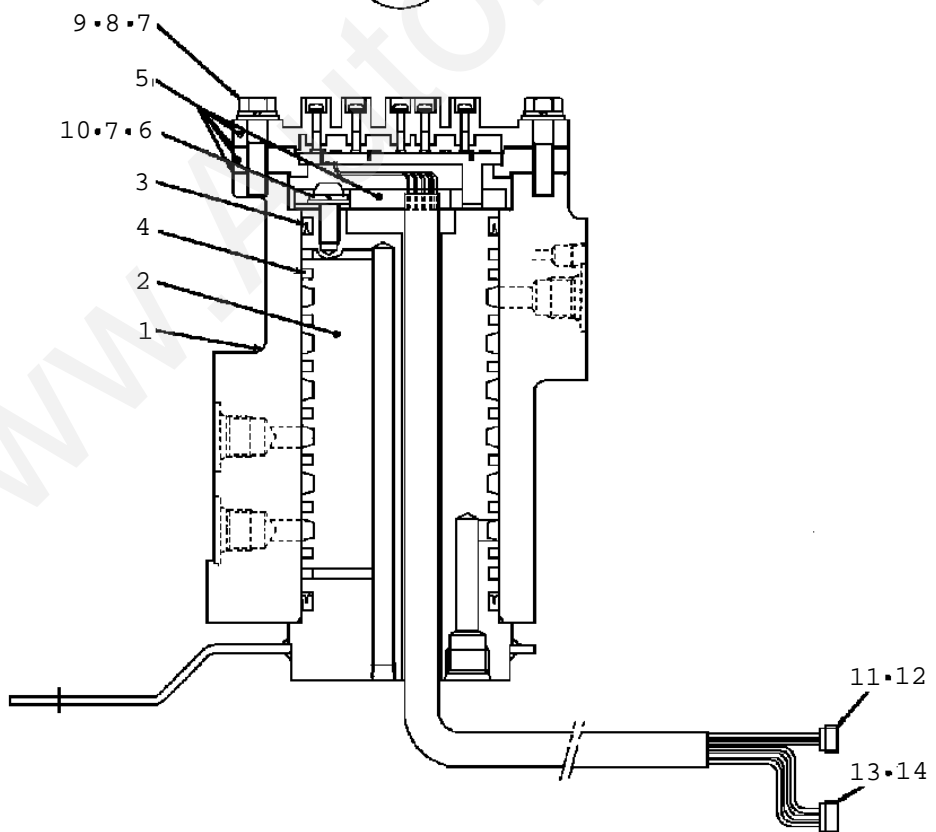
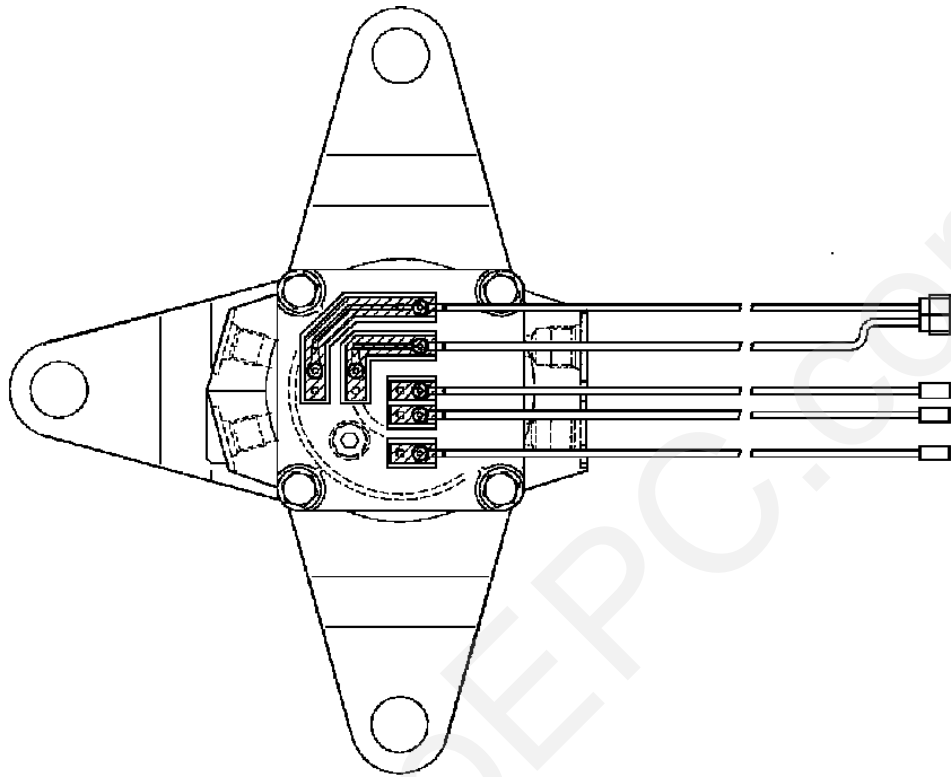


**TM-ZF360 41102210021A FRAME/SL,MANUAL**

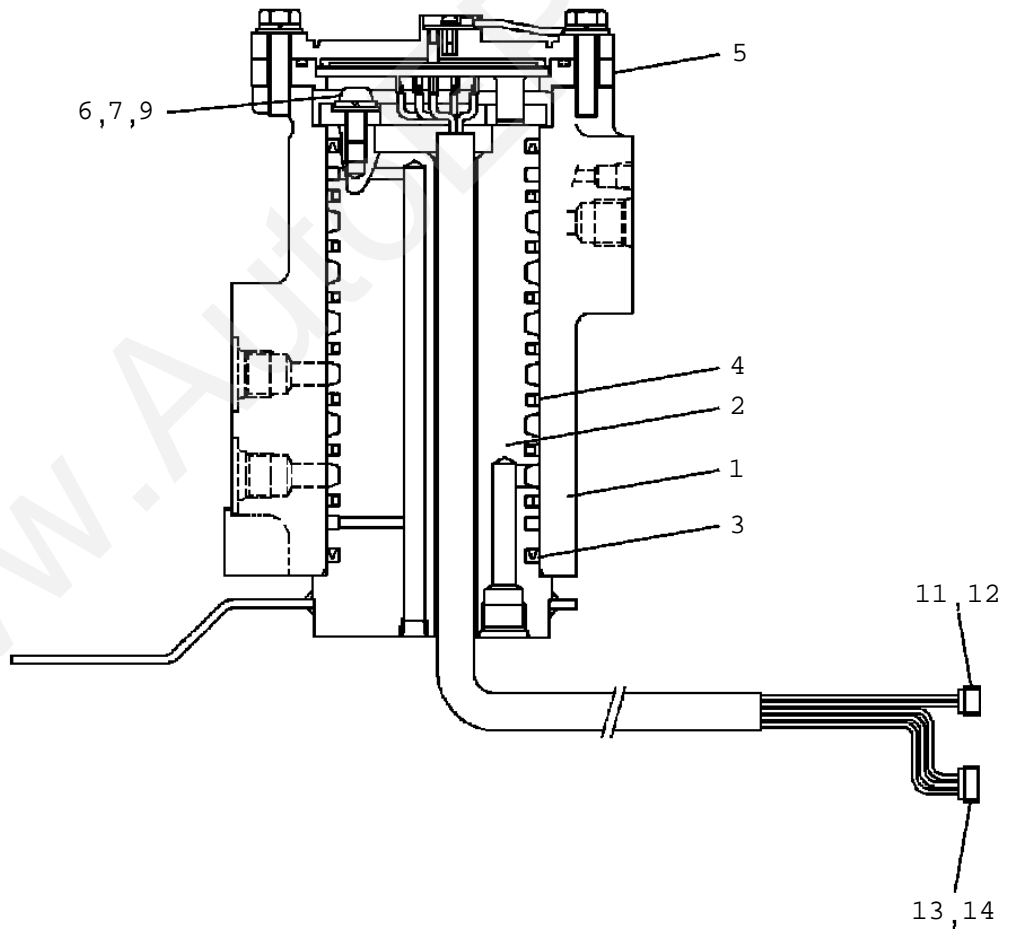
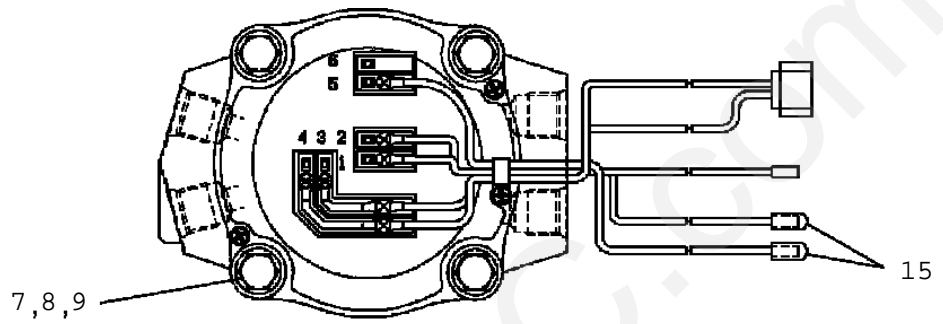
Pos No.	Parts No	Parts Name	Qty	Unit	Technical Data	Serial No (Start
1	31630475100	BODY	1			
2	31630475200	CORE	1			
3	91531208000	PACKING	2			
4	91100308000	RING,SEAL	7			
5	31630735500	RING,SLIP (WITH BRUSH)	1			
6	82121502030	PLATE	1			
7	82114203030	CONNECTOR (CAP)	1			
10	90180208016	BOLT,BUTTON	2		M8X16	
11	90302040801	WASHER,SPRING	6		8	
12	90102208014	BOLT	4		M8X14	
13	90303070801	WASHER,PLAIN	4		8	
14	90303100801	WASHER,PLAIN	2		8	
20	31630479910	PACKING SET	1			
30	31630730000	JOINT,ROTARY	1			

www.AutoEPC.com

TM-ZF360 41102210021A FRAME/SL, MANUAL  
PB1300301-01 JOINT, ROTARY



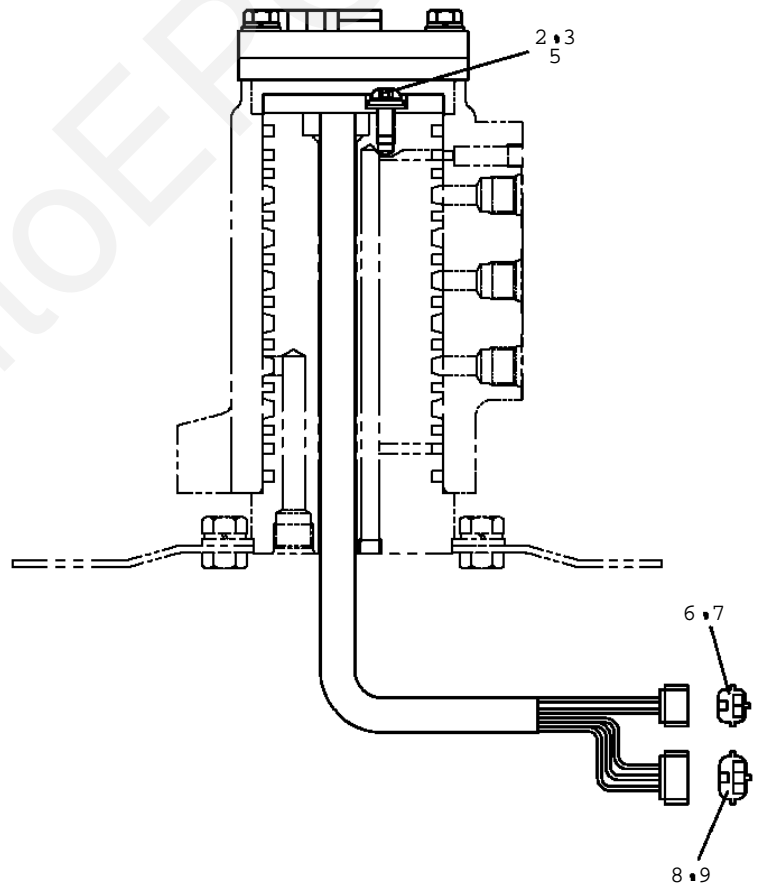
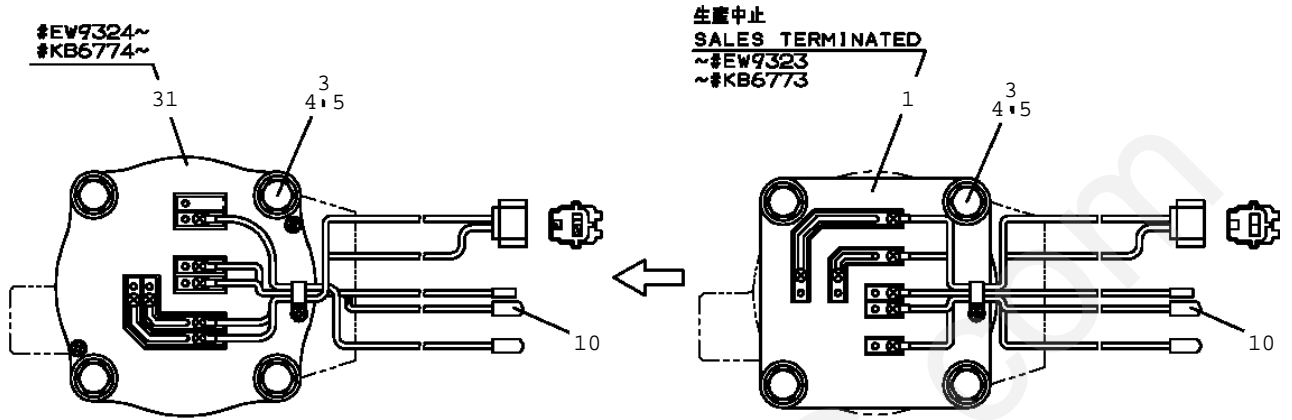
TM-ZF360 41102210021A FRAME/SL, MANUAL  
PB1300301-01 JOINT, ROTARY



**TM-ZF360 41102210021A FRAME/SL,MANUAL**

Pos No.	Parts No	Parts Name	Qty	Unit	Technical Data	Serial No (
1	31630475100	BODY	1			
2	31630475200	CORE	1			
3	91531208000	PACKING	2			
4	91100308000	RING,SEAL	7			
5	31631060040	BRUSH ASSY (WITH SLIP RING)	1			
	31631803000	RING ASSY,SLIP	1			KA6348
6	90180208016	BOLT,BUTTON	2		M8X16	
7	90302040801	WASHER,SPRING	6		8	
8	90102208035	BOLT	4		M8X35	
9	90303070801	WASHER,PLAIN	4		8	
	90303070801	WASHER,PLAIN	6		8	KA6348
10	90303100801	WASHER,PLAIN	2		8	
11	82114203020	CONNECTOR (CAP)	1			
12	82121502020	PLATE	1			
13	82114203030	CONNECTOR (CAP)	1			
14	82121502030	PLATE	1			
15	82100002855	CAP	2			KA6348

TM-ZF360 41102210021A FRAME/SL,MANUAL  
PB1300430-01 JOINT,ROTARY (RING ASSY,SLIP)

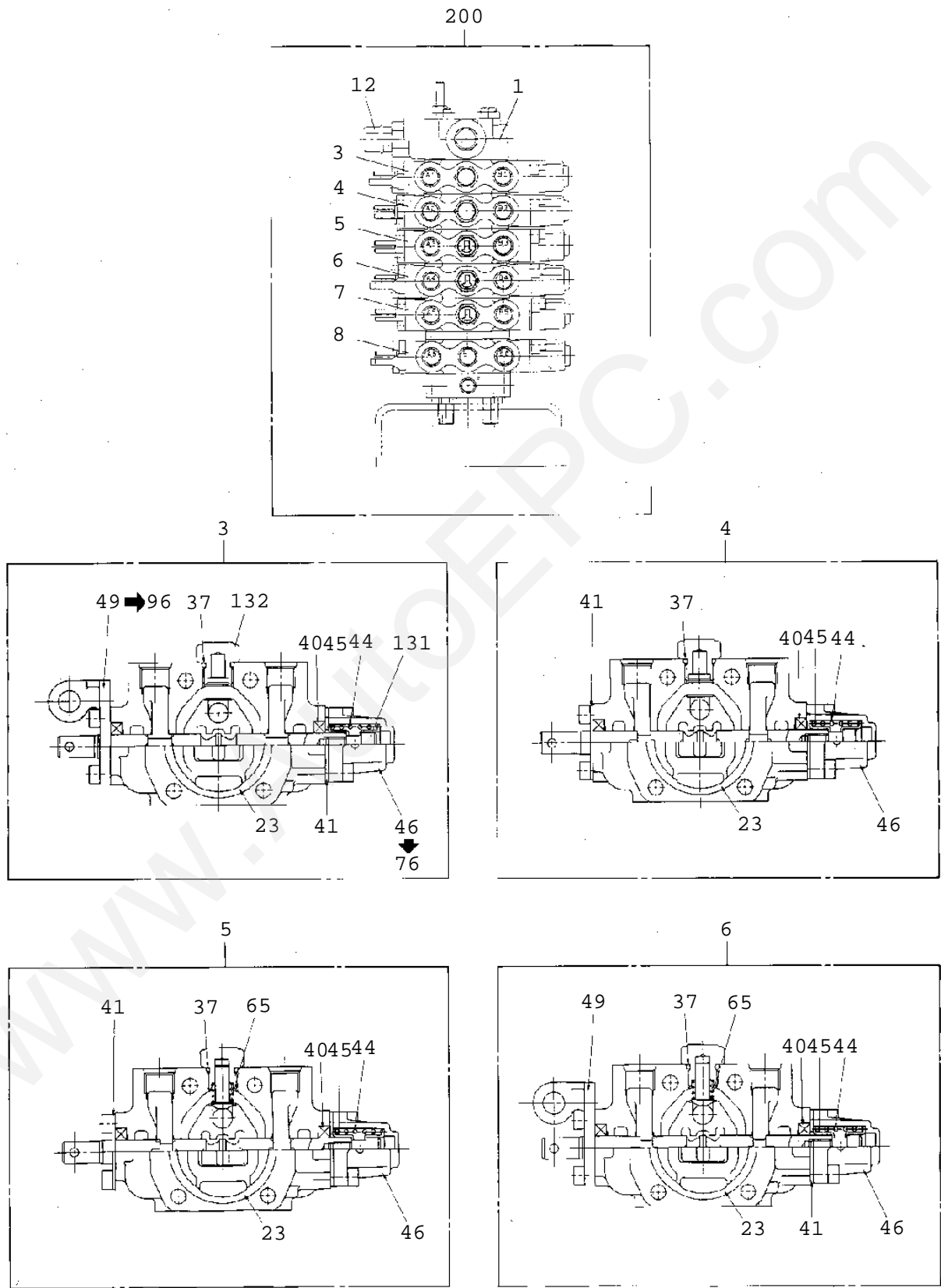


**TM-ZF360 41102210021A FRAME/SL,MANUAL**

Pos No.	Parts No	Parts Name	Qty	Unit	Technical Data	Serial No (Start)	Seri
1	31631061000	RING,SLIP	1				
2	90180208016	BOLT,BUTTON	2		M8X16		
3	90302040801	WASHER,SPRING	6		8		
4	90102208035	BOLT	4		M8X35		
5	90303070801	WASHER,PLAIN	6		8		
6	82114203020	CONNECTOR (CAP)	1				
7	82121502020	PLATE	1				
8	82114203030	CONNECTOR (CAP)	1				
9	82121502030	PLATE	1				
10	82100002855	CAP	2				
31	31631803000	RING ASSY,SLIP	1				

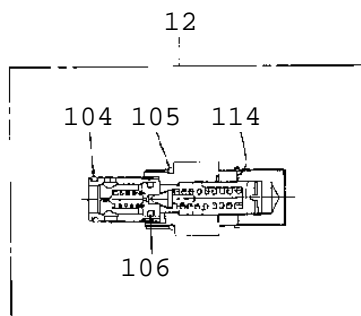
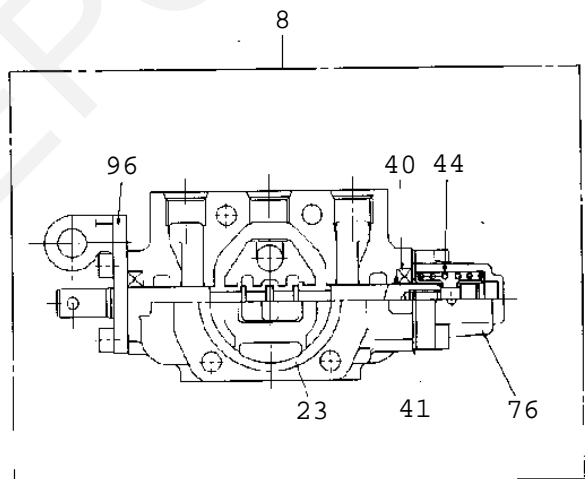
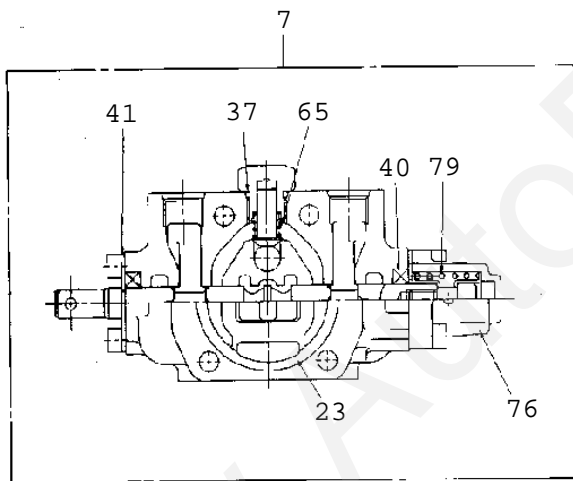
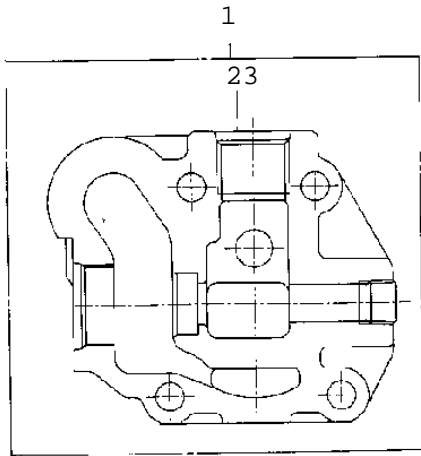
www.AutoEPC.com

TM-ZF360 41102210021A FRAME/SL, MANUAL  
PB1320304-02 VALVE, MANUAL CONTROL (NABCO)





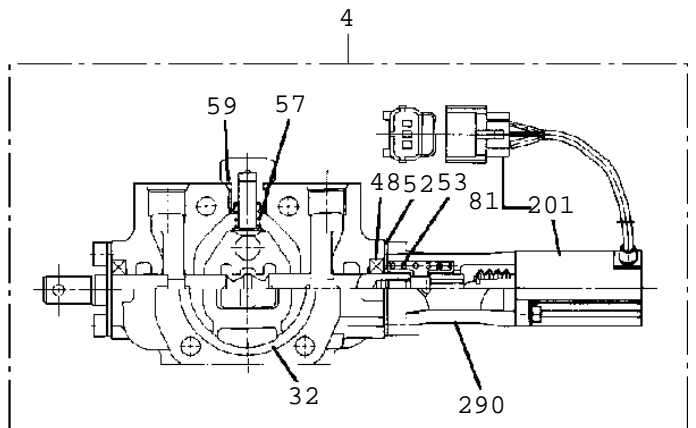
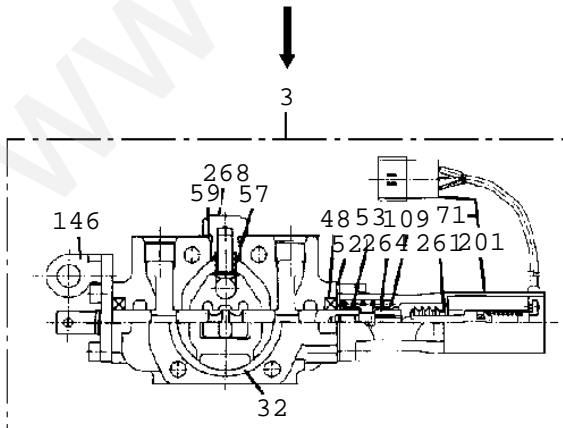
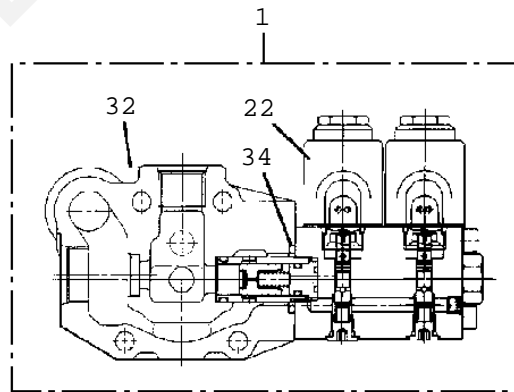
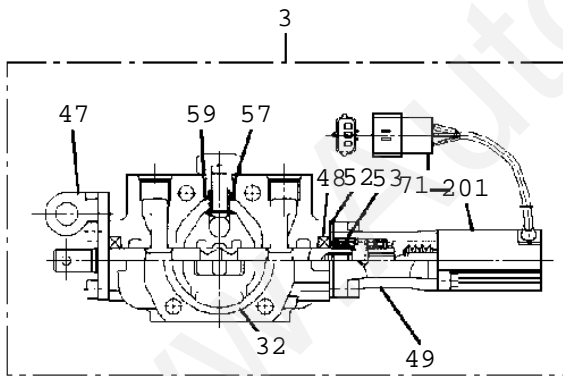
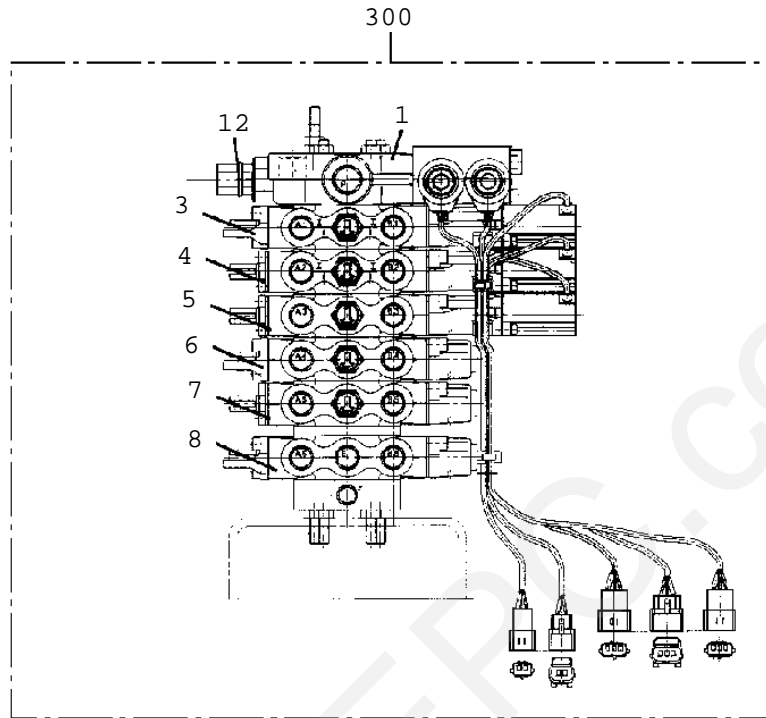
TM-ZF360 41102210021A FRAME/SL, MANUAL  
PB1320304-02 VALVE, MANUAL CONTROL (NABCO)



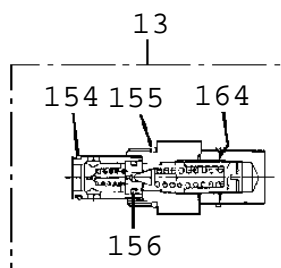
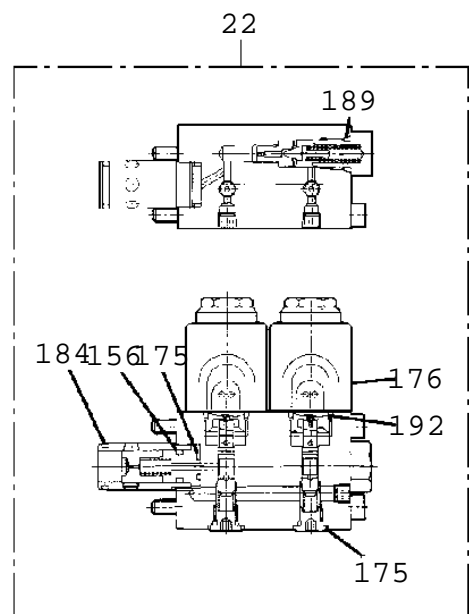
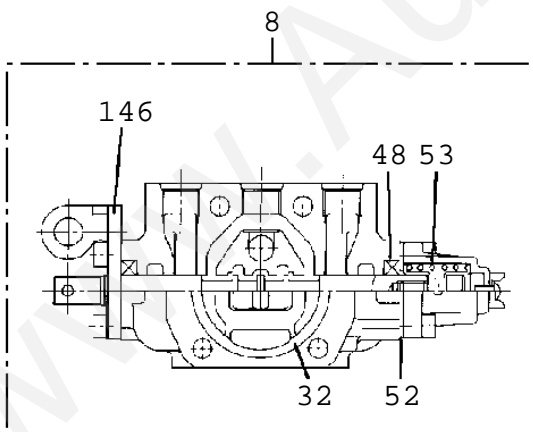
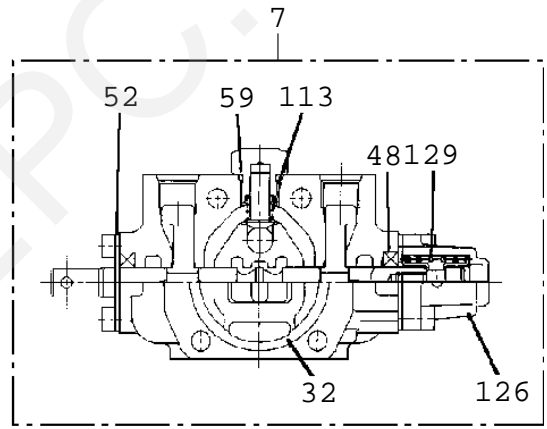
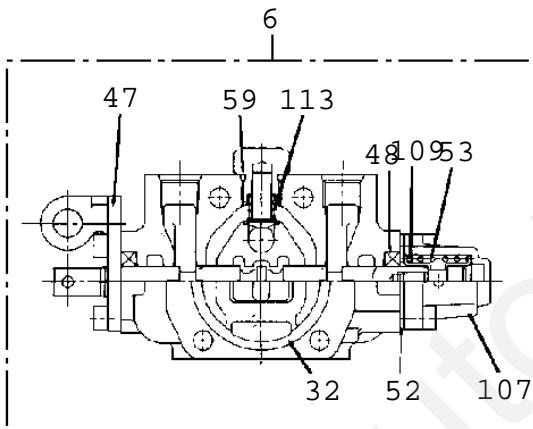
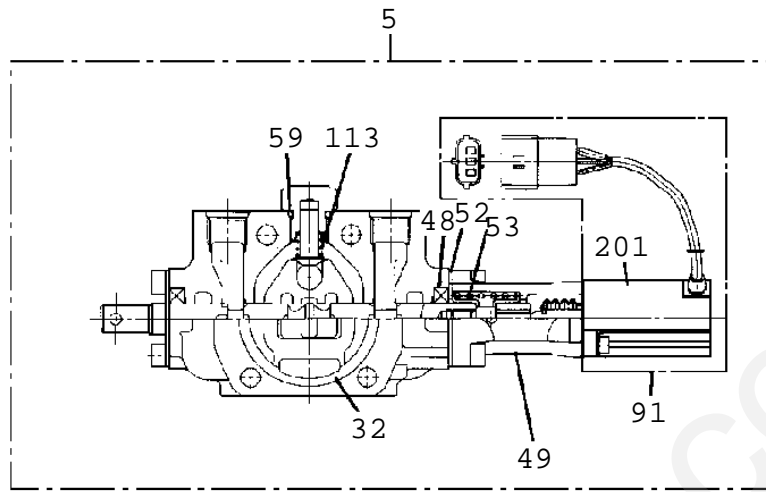
**TM-ZF360 41102210021A FRAME/SL,MANUAL**

Pos No.	Parts No	Parts Name	Qty	Unit	Technical Data	Serial No
1	36635845010	BODY	1			
3	36635555010	VALVE ,CONTROL (TELESCOPE)	1			
	36635555110	VALVE ,CONTROL (TELESCOPING)	1			EE8814
4	36635555020	VALVE ,CONTROL (WINCH)	1			
5	36635555030	VALVE ,CONTROL (ELEVATING)	1			
6	36635555040	VALVE ,CONTROL (SWING)	1			
7	36635995010	VALVE ,CONTROL (JACK)	1			
8	36635985010	VALVE ,CONTROL (JACK)	1			
12	36635555070	VALVE ,RELIEF	1			
23	91002905500	O-RING	8		1B G55	
37	91002801400	O-RING	5		1B P14	
40	56051331100	SEAL,OIL	12			
41	12435101180	RETAINER (SEAL)	9			
44	36630045140	SPRING	5			
45	12435101170	RETAINER (SPRING)	8			
46	36635555090	COVER (SPRING)	1			
	36635555090	COVER (SPRING)	3			
65	36635555080	SPRING	3			
76	36631155080	COVER (SPRING)	2			
	36631155080	COVER (SPRING)	1			EE8814
79	12435101120	SPRING	1			
96	36635975020	COVER	3			
104	91000501500	O-RING	1		AS568-015	
105	91002802200	O-RING	1		1B P22	
106	91002801001	O-RING	1		1B P10A	
114	91001001600	O-RING	2		1A S16	
131	36633265030	END,SPOOL	1			EE8814
132	36635045040	RETAINER (VALVE)	1			EE8814
200	36635980000	VALVE ,MANUAL CONTROL (NABCO)	1			

TM-ZF360 41102210021A FRAME/SL, MANUAL  
 PB1320305-02 VALVE, MANUAL CONTROL (NABCO)



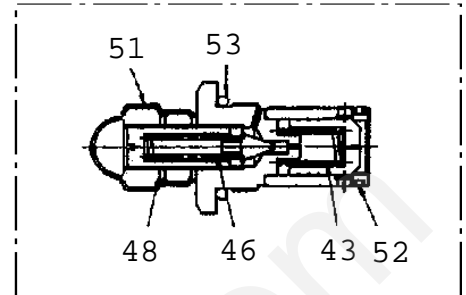
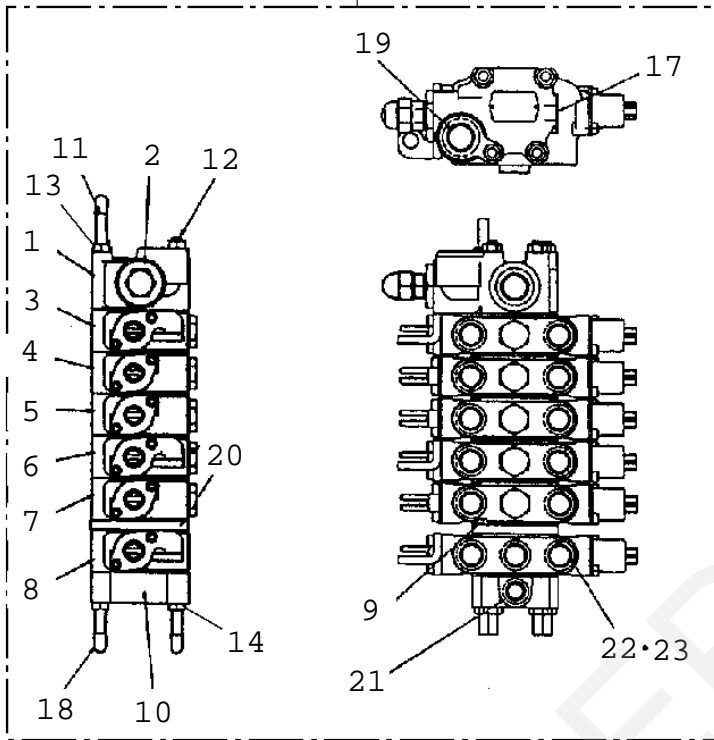
TM-ZF360 41102210021A FRAME/SL, MANUAL  
 PB1320305-02 VALVE, MANUAL CONTROL (NABCO)



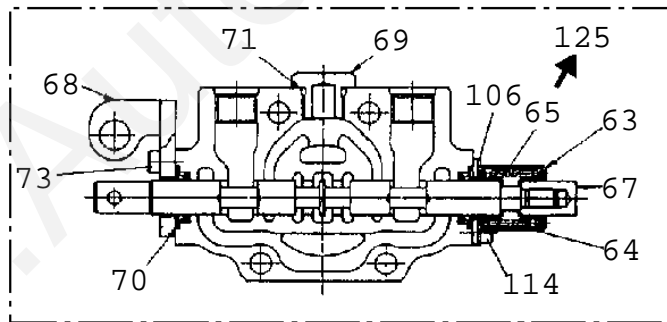
**TM-ZF360 41102210021A FRAME/SL,MANUAL**

Pos No.	Parts No	Parts Name	Qty	Unit	Technical Data	Serial No
1	36635535040	VALVE ASSY	1			
3	36635535050	VALVE,CONTROL (TELESCOPE)	1			
	36635855040	VALVE,CONTROL (TELESCOPING)	1			EE8083
4	36635535060	VALVE,CONTROL (WINCH)	1			
5	36635535070	VALVE,CONTROL (ELEVATING)	1			
6	36635555040	VALVE,CONTROL (SWING)	1			
7	36635995010	VALVE,CONTROL (JACK)	1			
8	36635995020	VALVE,CONTROL (JACK)	1			
12	36635555070	VALVE,RELIEF	1			
22	36635535120	VALVE,UNLOAD	1			
32	91002905500	O-RING	8		1B G55	
34	91002802400	O-RING	1		1B P24	
48	56051331100	SEAL,OIL	12			
49	36636835030	COVER (SPRING)	1			
	36636835030	COVER (SPRING)	1			
52	12435101180	RETAINER (SEAL)	9			
53	36630045140	SPRING	5			
57	36635535140	SPRING	2			
59	91002801400	O-RING	5		1B P14	
71	36635535010	SWITCH,LEAD (TELESCOPING)	1			
81	36635535020	SWITCH,LEAD (WINCH)	1			
91	36635535030	SWITCH,LEAD (ELEVATING)	1			
107	36635555090	COVER (SPRING)	1			
109	12435101170	RETAINER (SPRING)	2			
	12435101170	RETAINER (SPRING)	2			EE8083
113	36635555080	SPRING	3			
126	36631155080	COVER (SPRING)	1			
129	12435101120	SPRING	1			
146	36635975020	COVER	3			
154	91000501500	O-RING	1		AS568-015	
155	91002802200	O-RING	1		1B P22	
156	91002801001	O-RING	2		1B P10A	
164	91001001600	O-RING	2		1A S16	
175	91002800800	O-RING	3		1B P8	
176	36635535130	SOLENOID ASSY	2			
184	91002801600	O-RING	1		1B P16	
189	91002801100	O-RING	1		1B P11	
192	91001101500	O-RING	2		1A P15	
201	36635535150	SWITCH,PUSH	3			
261	36636435090	SHIM (T=0.3)	1			EE8083
	36636435100	SHIM (T=0.5)	1			EE8083
	36636435110	SHIM (T=0.7)	1			EE8083
264	36636435070	END,SPOOL	1			EE8083
268	36634085090	RETAINER (VALVE)	1			EE8083
290	36635535180	COVER (SPRING)	1			
300	36635990000	VALVE,MANUAL CONTROL (NABCO)	1			

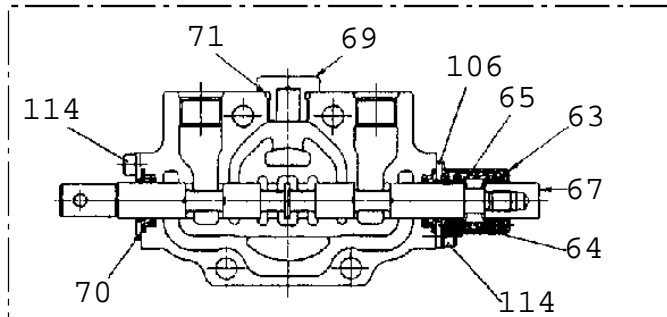
200



2

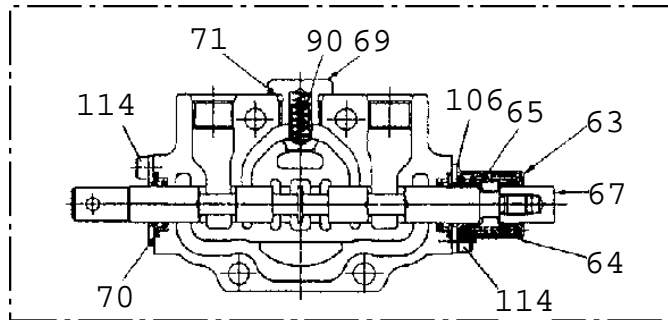


3

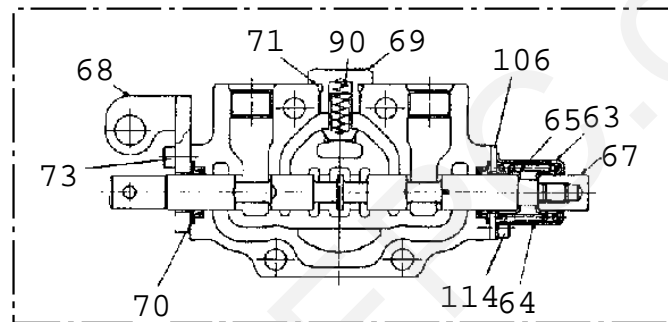


4

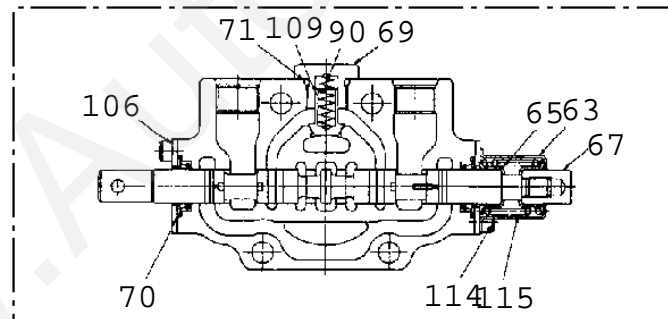
TM-ZF360 41102210021A FRAME/SL, MANUAL  
PB1320397-01 VALVE, MANUAL CONTROL (SANWA)



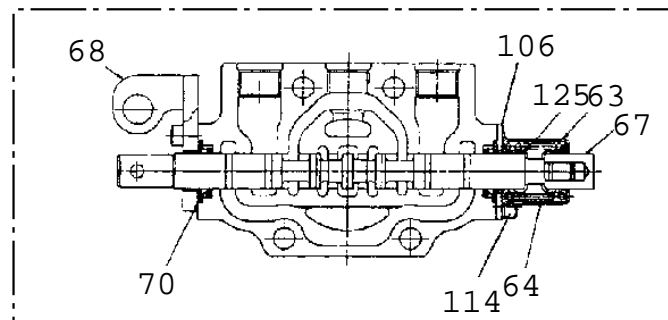
5



6



7



8

**TM-ZF360 41102210021A FRAME/SL,MANUAL**

Pos No.	Parts No	Parts Name	Qty	Unit	Technical Data	Serial No
1	36635785010	COVER (FRONT)	1			
2	36635655010	VALVE,RELIEF	1			
3	36635785030	VALVE,CONTROL (TELESCOPE)	1			
	36635785031	VALVE,CONTROL (TELESCOPE)	1			EE8174
4	36635785040	VALVE,CONTROL (WINCH)	1			
5	36635785050	VALVE,CONTROL (ELEVATING)	1			
6	36635655020	VALVE,CONTROL (SWING)	1			
7	36636085010	VALVE,CONTROL (JACK)	1			
8	36645375020	VALVE,CONTROL (JACK)	1			
9	91001205500	O-RING	8		1A G55	
10	36645375030	COVER (BOTTOM)	1			
11	36636085020	BOLT,TIE (B)	1			
12	36636085030	BOLT,TIE (A)	3			
13	90201200800	NUT	4		M8	
14	90203200800	NUT	4		M8	
17	80316030040	PLUG	1		PT1/4	
18	36640755070	CAP	5			
19	36645615090	PROTECTOR	2			
20	36636085050	PLATE	1			
21	36081315130	PROTECTOR (THREAD)	1			
22	36645615190	PLUG (DUST)	13			
	36645615190	PLUG (DUST)	12			EE8174
23	36645615200	PACKING	13			
	36645615200	PACKING	12			EE8174
43	12635101110	SPRING (RETURN)	1			
46	12635101140	SPRING	1			
48	11629431040	PACKING	2			
51	16623320390	TUBE (SEAL)	1			
52	91002802100	O-RING	1		1B P21	
53	91001102600	O-RING	1		1A P26	
63	36633365040	CAP (RETURN SPRING)	6			
64	36633365050	SPRING (RETURN)	5			
65	36640625380	SEAT,SPRING	2			
	36640625380	SEAT,SPRING	8			
67	36633365070	ADAPTER	6			
68	36633365080	LINK	3			
69	36633365090	CAP (CHECK VALVE)	5			
70	36633365100	SEAL,OIL	12			
71	91001101400	O-RING	5		1A P14	
73	36645615230	C-BOLT	4		5X12	
90	12635101190	SPRING	3			
106	36633365060	PLATE (B)	8			
109	12635101360	SPOOL	1			
114	36645615260	C-BOLT	16		M5X8	
115	36645845060	SPRING (RETURN)	1			
125	36645495210	SEAT,SPRING (RETURN)	2			
	36645495210	SEAT,SPRING (RETURN)	2			EE8174
200	36636140000	VALVE,MANUAL CONTROL (SANWA)	1			



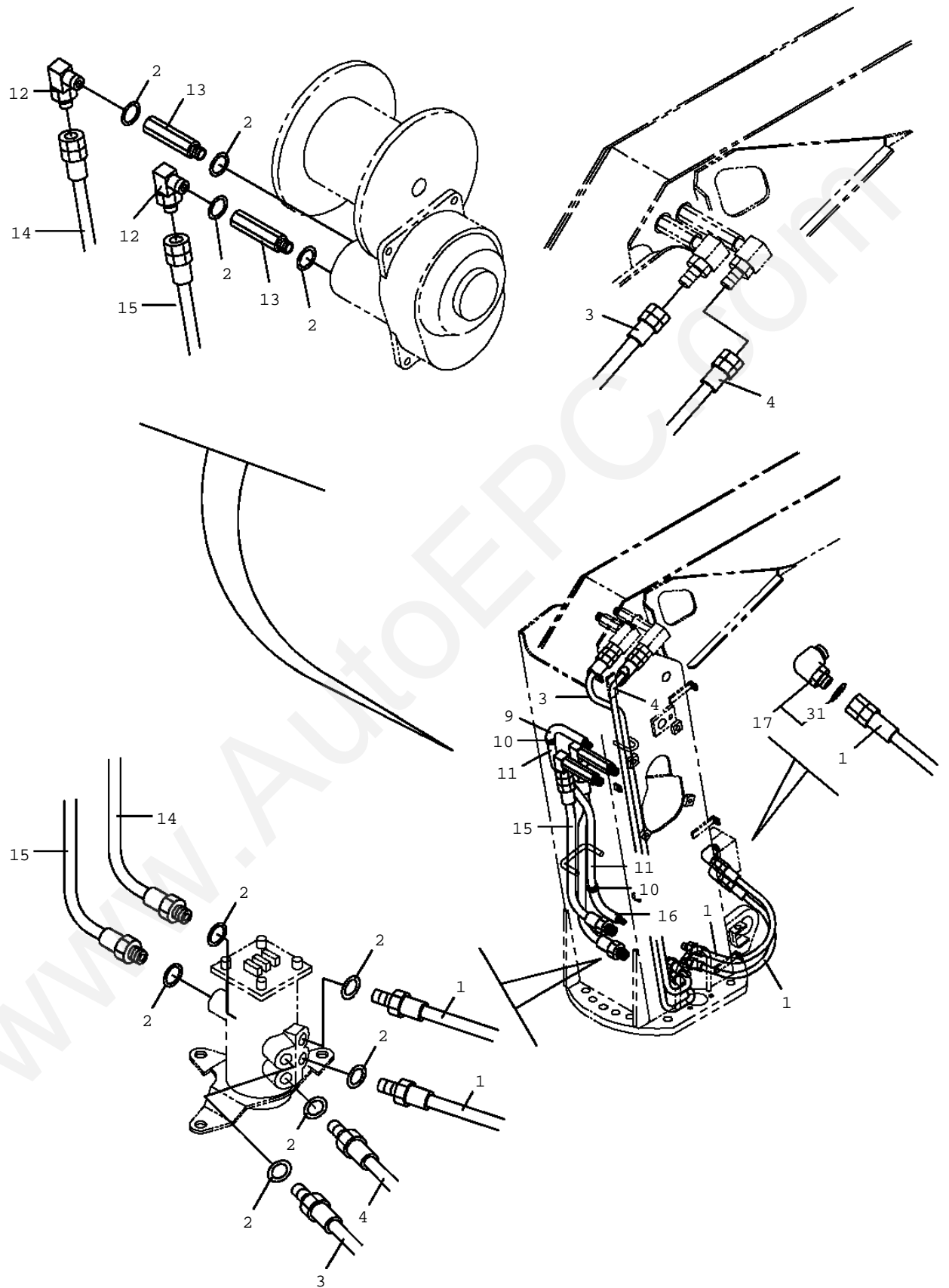


**TM-ZF360 41102210021A FRAME/SL,MANUAL**

Pos No.	Parts No	Parts Name	Qty	Unit	Technical Data	Serial No (Start)
1	31611617510	ADAPTER ASSY	1			
7	31611617520	MOTOR ASSY	1			
	31611617590	MOTOR ASSY	1			EP1166
12	31611617530	TANK	1			
14	31611617540	CAP (OIL FILLER)	1			
18	44550417860	GASKET (WITH O-RING)	1			
30	31611617550	VALVE ASSY	1			
41	31611617560	VALVE,SOLENOID	2			
44	31611617570	MANIFOLD	1			
47	31611617580	O-RING	2			
100	31611613101	POWER SUPPLY	1			

www.AutoEPC.com

TM-ZF360 41102210021A FRAME/SL, MANUAL  
PB1400186-01 PIPING, HYDRAULIC UPPER

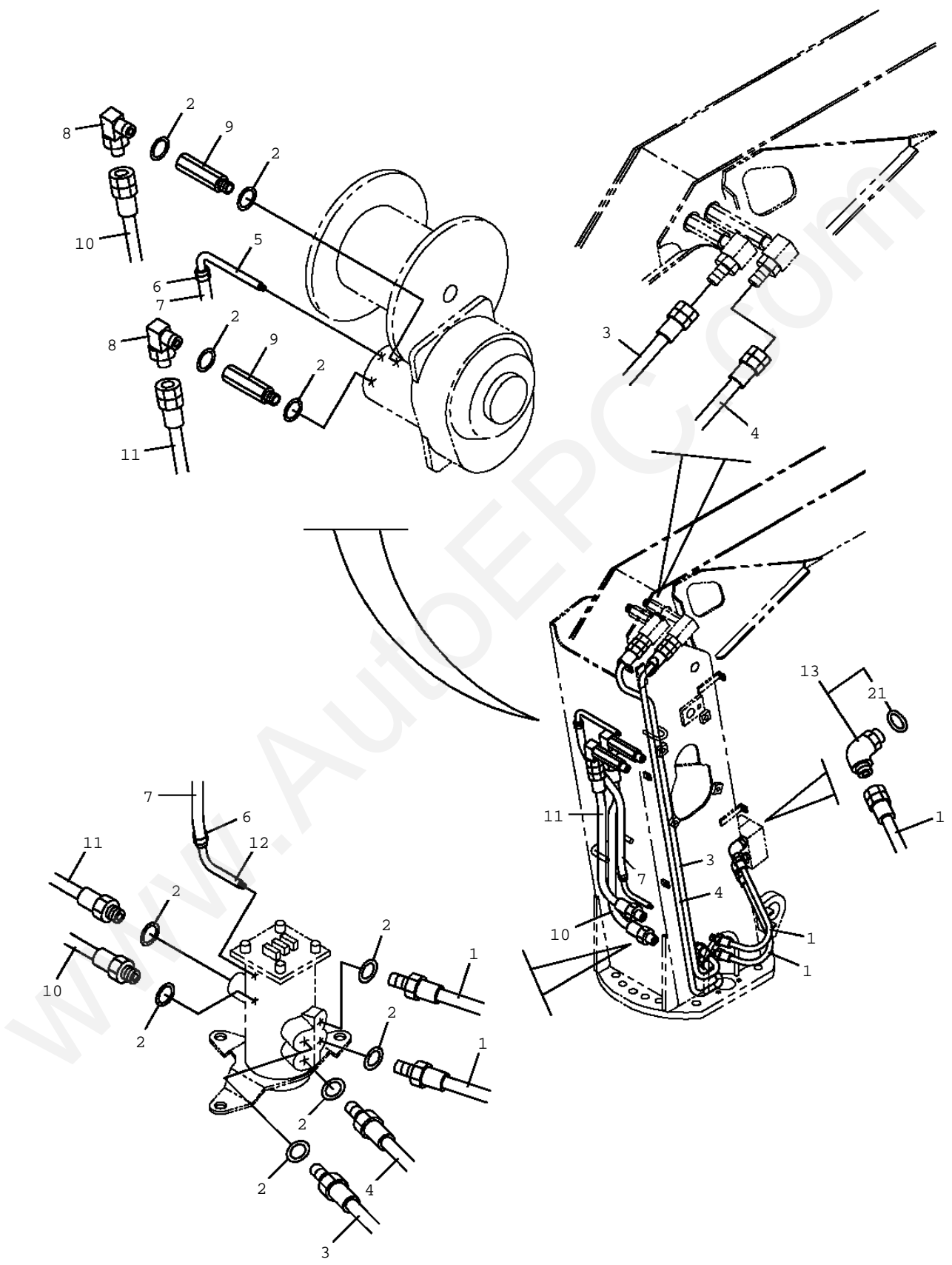


**TM-ZF360 41102210021A FRAME/SL,MANUAL**

Pos No.	Parts No	Parts Name	Qty	Unit	Technical Data	Serial No (Start)
1	37002448730	HOSE	2		L=330	
2	91002801400	O-RING	10		1B P14	
3	37002432940	HOSE	1		L=1300	
	37002459320	HOSE	1		L=1300	EE5408
4	37002443550	HOSE	1		L=1360	
	37002459330	HOSE	1		L=1360	EE5408
9	37000804110	JOINT	1			
10	91803880070	CLIP	2		D=13.1-16.2	
11	37002501360	HOSE	1		L=450	
12	80481103030	JOINT	2		L,G3/8-G3/8	
13	37000920980	JOINT	2		PF3/8-PF3/8	
14	37002448850	HOSE	1		L=600	
15	37002448860	HOSE	1		L=560	
16	37000800310	JOINT	1			
17	37000922540	JOINT (WITH O-RING)	2		45,G1/4-G3/8	
31	91002801100	O-RING	2		1B P11	

www.AutoEPC.com

TM-ZF360 41102210021A FRAME/SL, MANUAL  
PB1400251-00 PIPING, HYDRAULIC UPPER

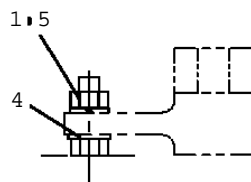
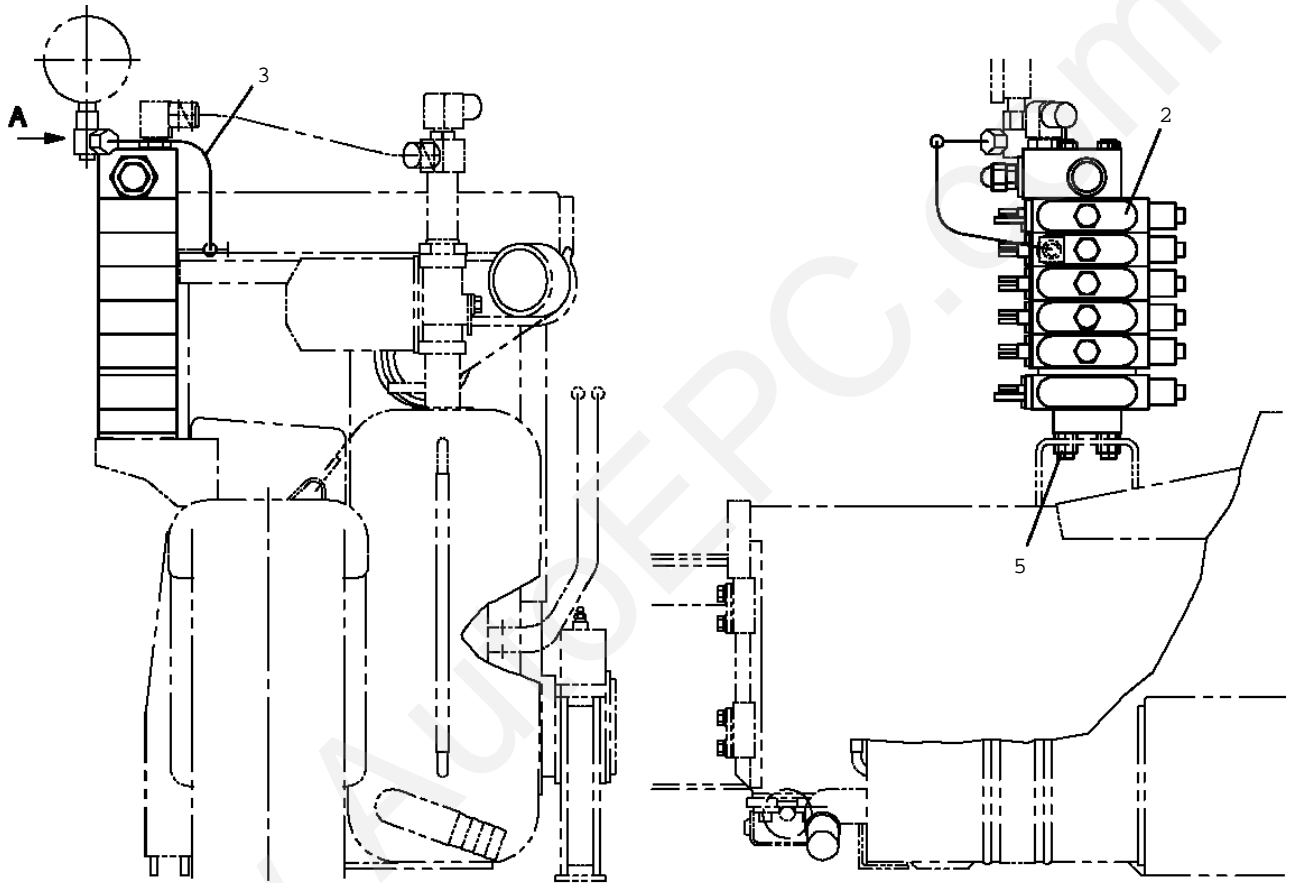


**TM-ZF360 41102210021A FRAME/SL,MANUAL**

Pos No.	Parts No	Parts Name	Qty	Unit	Technical Data	Serial No (Start)
1	37002448730	HOSE	2		L=330	
2	91002801400	O-RING	10		1B P14	
3	37002459320	HOSE	1		L=1300	
4	37002459330	HOSE	1		L=1360	
5	37000804580	JOINT	1			
6	91803880070	CLIP	2		D=13.1-16.2	
7	37002501360	HOSE	1		L=450	
8	80481103030	JOINT	2		L,G3/8-G3/8	
9	37000920990	JOINT	2			
10	37002448850	HOSE	1		L=600	
11	37002448860	HOSE	1		L=560	
12	37000800310	JOINT	1			
13	37000922540	JOINT (WITH O-RING)	2		45,G1/4-G3/8	
21	91002801100	O-RING	2		1B P11	

www.AutoEPC.com

TM-ZF360 41102210021A FRAME/SL, MANUAL  
PB1410659-00 PIPING, LOWER (VALVE, NABCO)



**A**

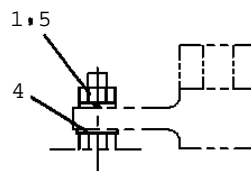
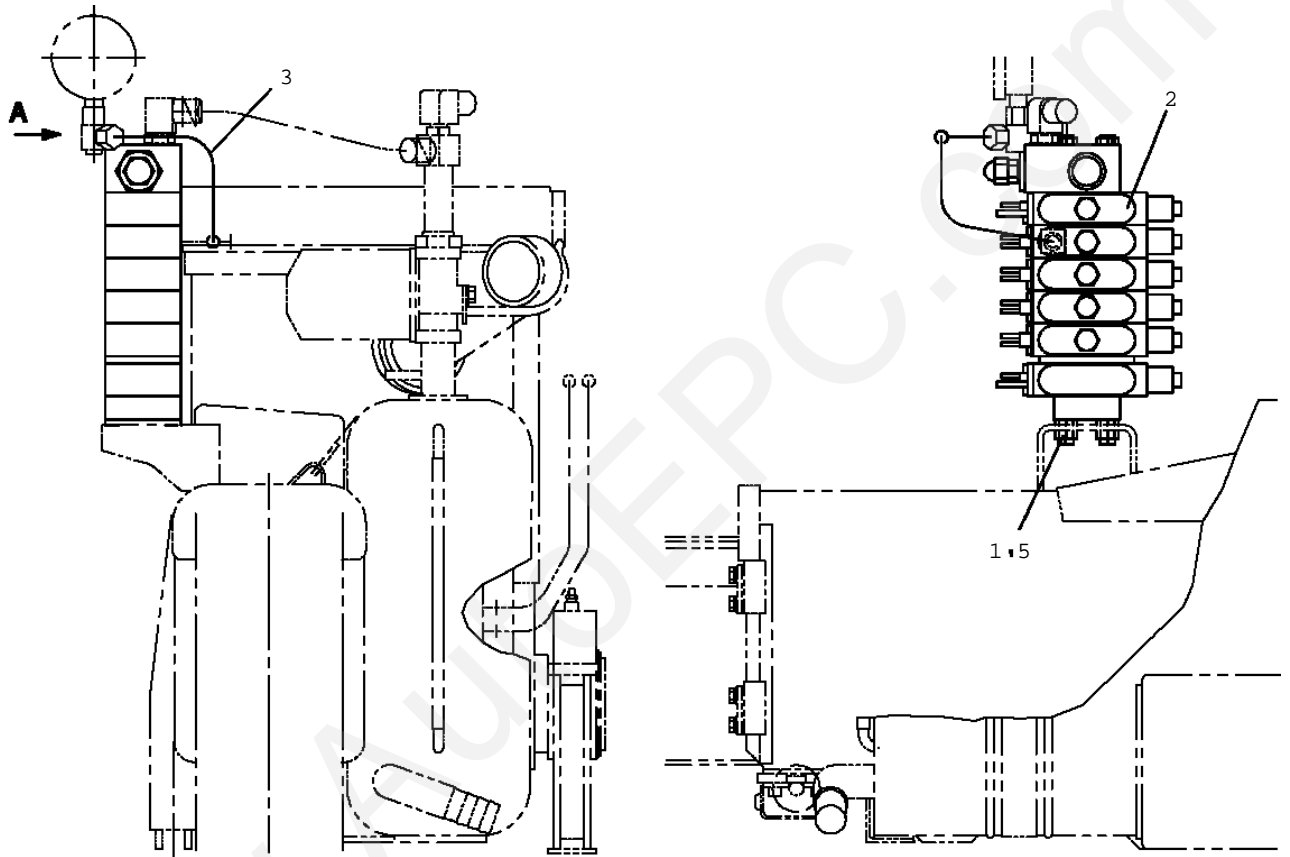
**TM-ZF360 41102210021A FRAME/SL,MANUAL**

Pos No.	Parts No	Parts Name	Qty	Unit	Technical Data	Serial No
1	90201780800	NUT	5		M8	
2	36635980000	VALVE,MANUAL CONTROL (NABCO)	1			
3	81408000160	PIPE,STEEL	1	M	12X1.4T	
4	90303070801	WASHER,PLAIN	1		8	
5	90302040801	WASHER,SPRING	5		8	

www.AutoEPC.com



TM-ZF360 41102210021A FRAME/SL, MANUAL  
PB1410660-00 PIPING, LOWER ( VALVE, SANWA )



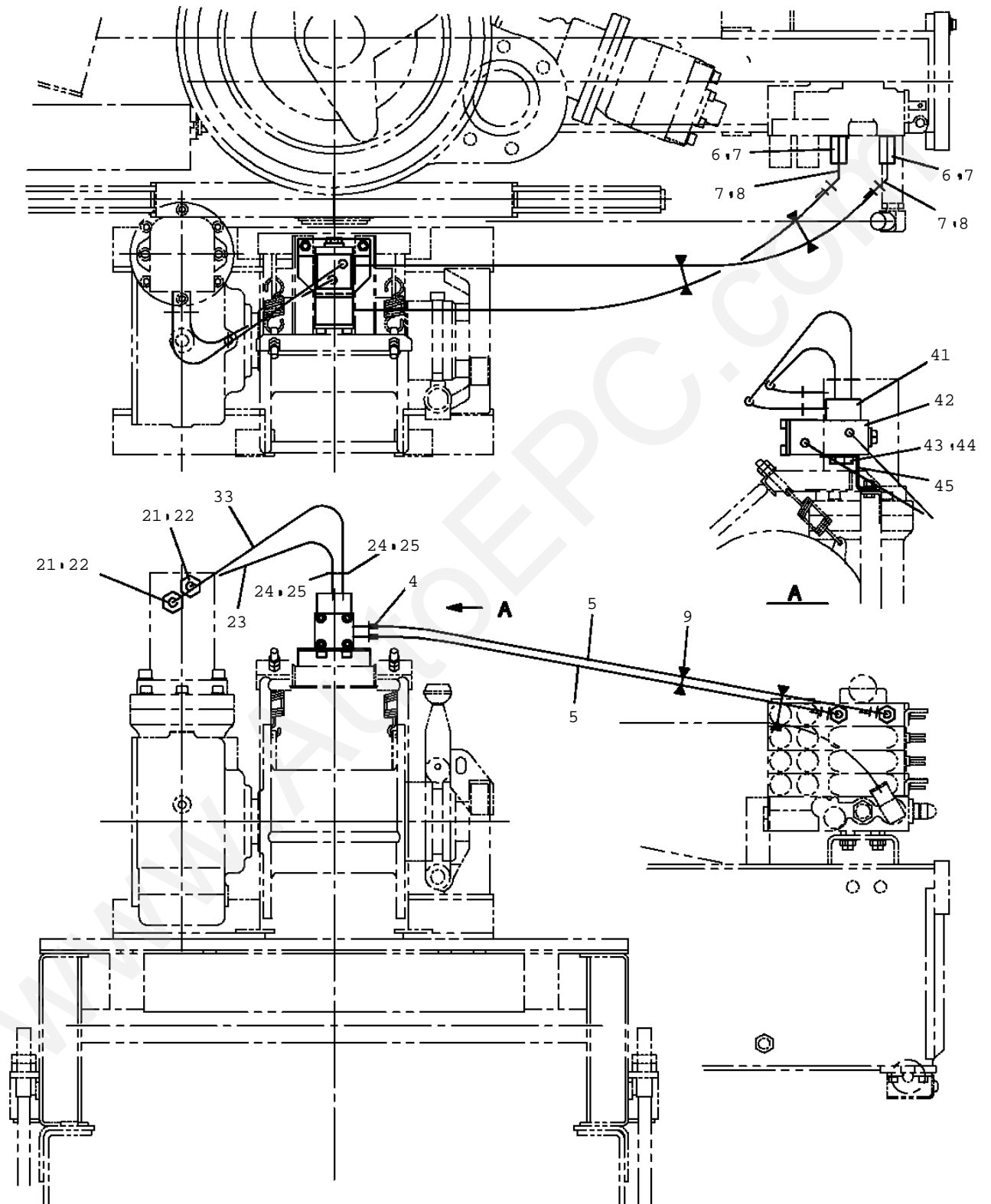
**A**

**TM-ZF360 41102210021A FRAME/SL,MANUAL**

Pos No.	Parts No	Parts Name	Qty	Unit	Technical Data	Serial No
1	90201780800	NUT	5		M8	
2	36636140000	VALVE,MANUAL CONTROL (SANWA)	1			
3	81408000160	PIPE,STEEL	1	M	12X1.4T	
4	90303070801	WASHER,PLAIN	1		8	
5	90302040801	WASHER,SPRING	5		8	

www.AutoEPC.com

TM-ZF360 41102210021A FRAME/SL, MANUAL  
PB1410665-00 PIPING, LOWER (SELF WINCH 3T, OP)

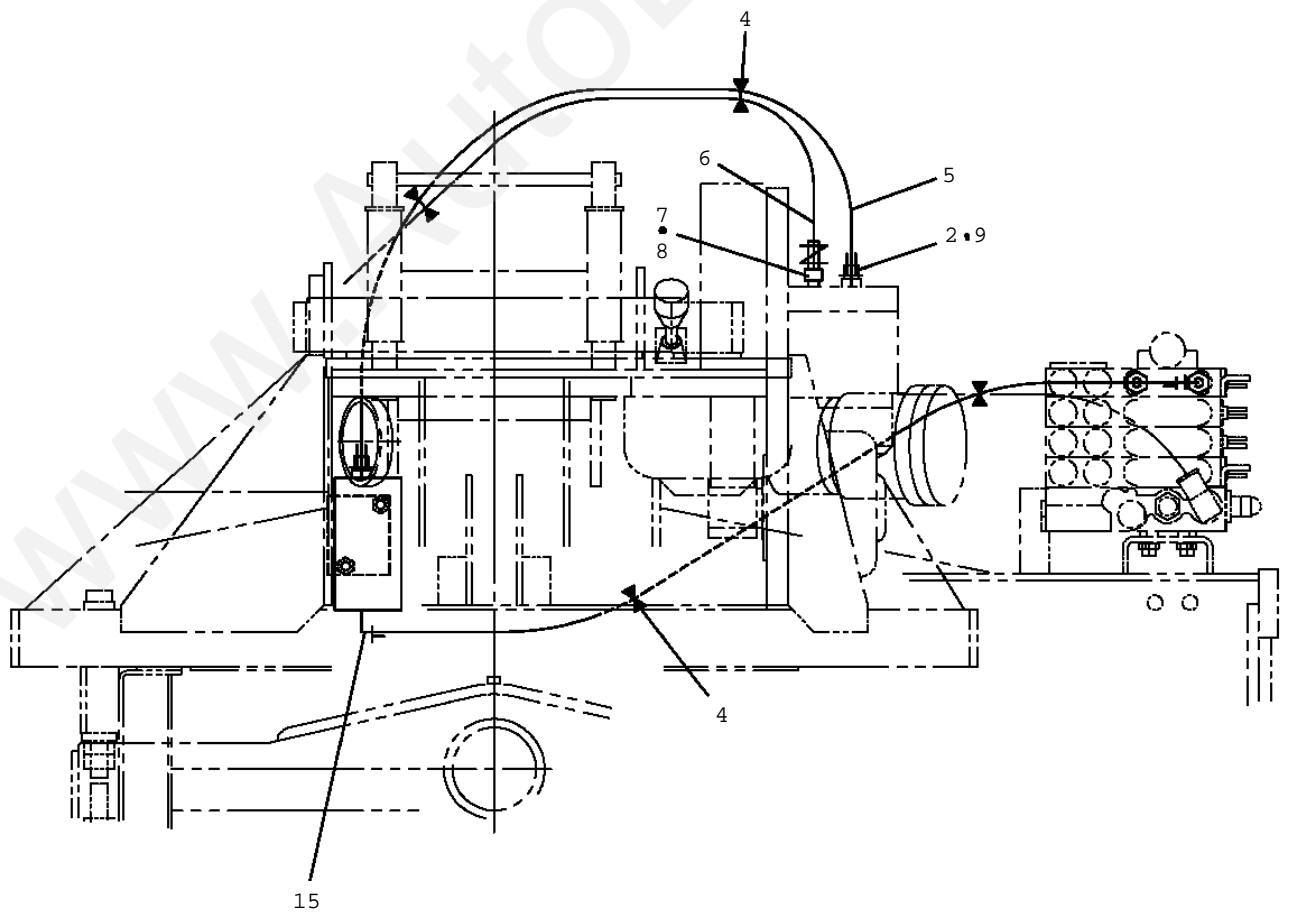
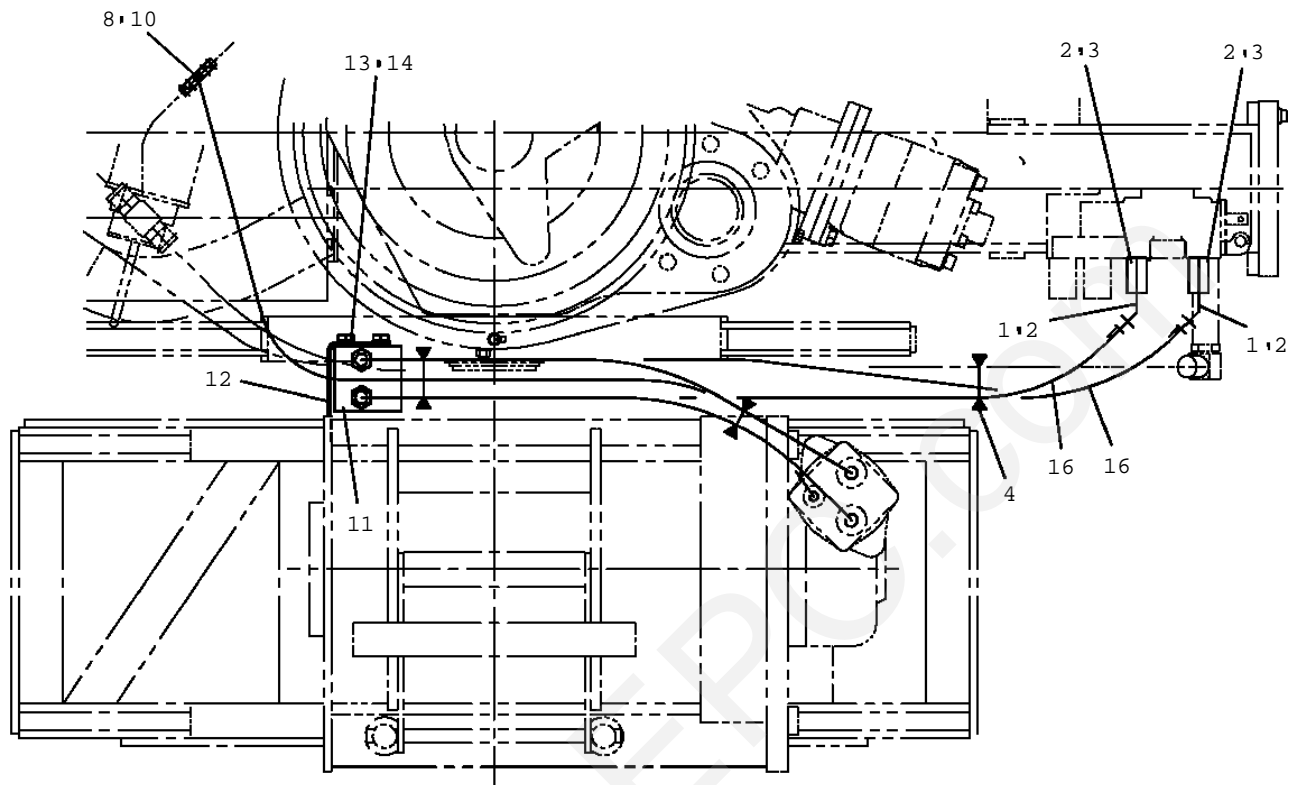


**TM-ZF360 41102210021A FRAME/SL,MANUAL**

Pos No.	Parts No	Parts Name	Qty	Unit	Technical Data	Serial No (Start)
4	37000907680	JOINT	2		S,G3/8-R1/4	
5	37002453790	HOSE	2		L=850	
6	37000921890	JOINT	2			
7	91002801400	O-RING	4		1B P14	
8	80471020503	JOINT	2		45,G3/8-G3/8	
9	91810130270	FASTENER	2			
21	80302120140	FITTING	2		POA12PF1/2	
22	91002801800	O-RING	2		1B P18	
23	31642910120	PIPE	1			
24	80302120120	FITTING	2		POA12PF3/8	
25	91002801400	O-RING	2		1B P14	
33	31642910220	PIPE	1			
41	36604190010	JOINT	1			
42	36602100000	VALVE ,COUNTERBALANCE	1			
43	90302040801	WASHER ,SPRING	3		8	
44	90172108060	BOLT ,HEXAGON SOCKET	3		M8X60	
45	36604190020	SUPPORT	1			

www.AutoEPC.com

TM-ZF360 41102210021A FRAME/SL, MANUAL  
PB1410666-00 PIPING, LOWER (SELF WINCH 4T, OP)

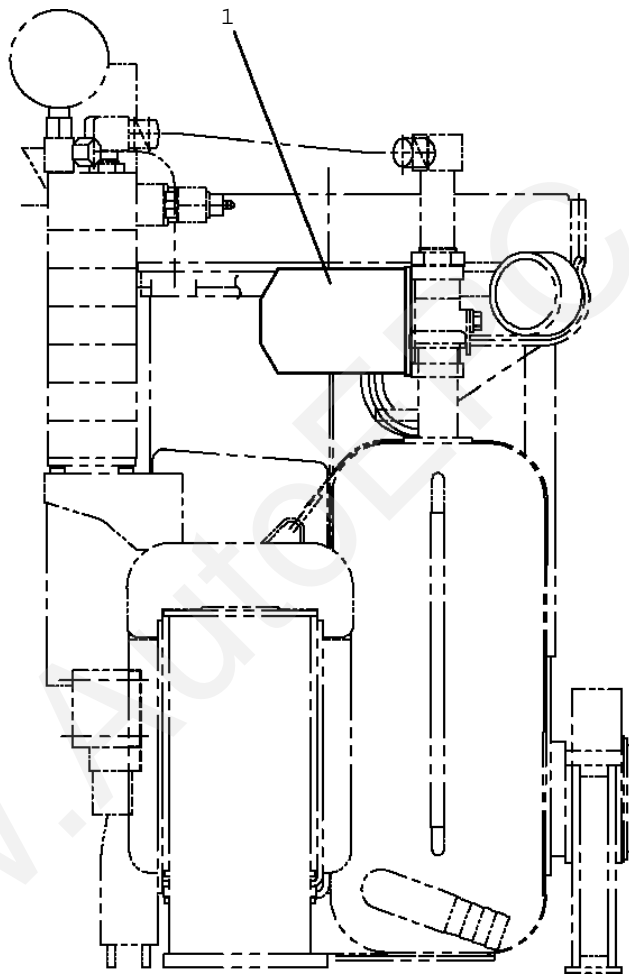


**TM-ZF360 41102210021A FRAME/SL,MANUAL**

Pos No.	Parts No	Parts Name	Qty	Unit	Technical Data	S
1	80471020503	JOINT	2		45,G3/8-G3/8	
2	91002801400	O-RING	5		1B P14	
3	37000921890	JOINT	2			
4	91810130240	FASTENER	5			
5	37002438570	HOSE	2		L=1000	
6	37002504790	HOSE	1		L=1500	
7	31641031000	JOINT	1			
8	91803880070	CLIP	4		D=13.1-16.2	
9	80400160129	JOINT	2			
10	35530014000	JOINT	1			
11	36600480000	VALVE,PRESSURE REGULATOR (SELF WINCH)	1			
12	31643000100	SUPPORT	1			
13	90101210018	BOLT	2		M10X18	
14	90302041001	WASHER,SPRING	2		10	
15	80430450650	JOINT	2			
16	37002438830	HOSE	2		L=1120	

www.AutoEPC.com

TM-ZF360 41102210021A FRAME/SL, MANUAL  
PB1410912-01 PIPING, LOWER (REPLACE FILTER)



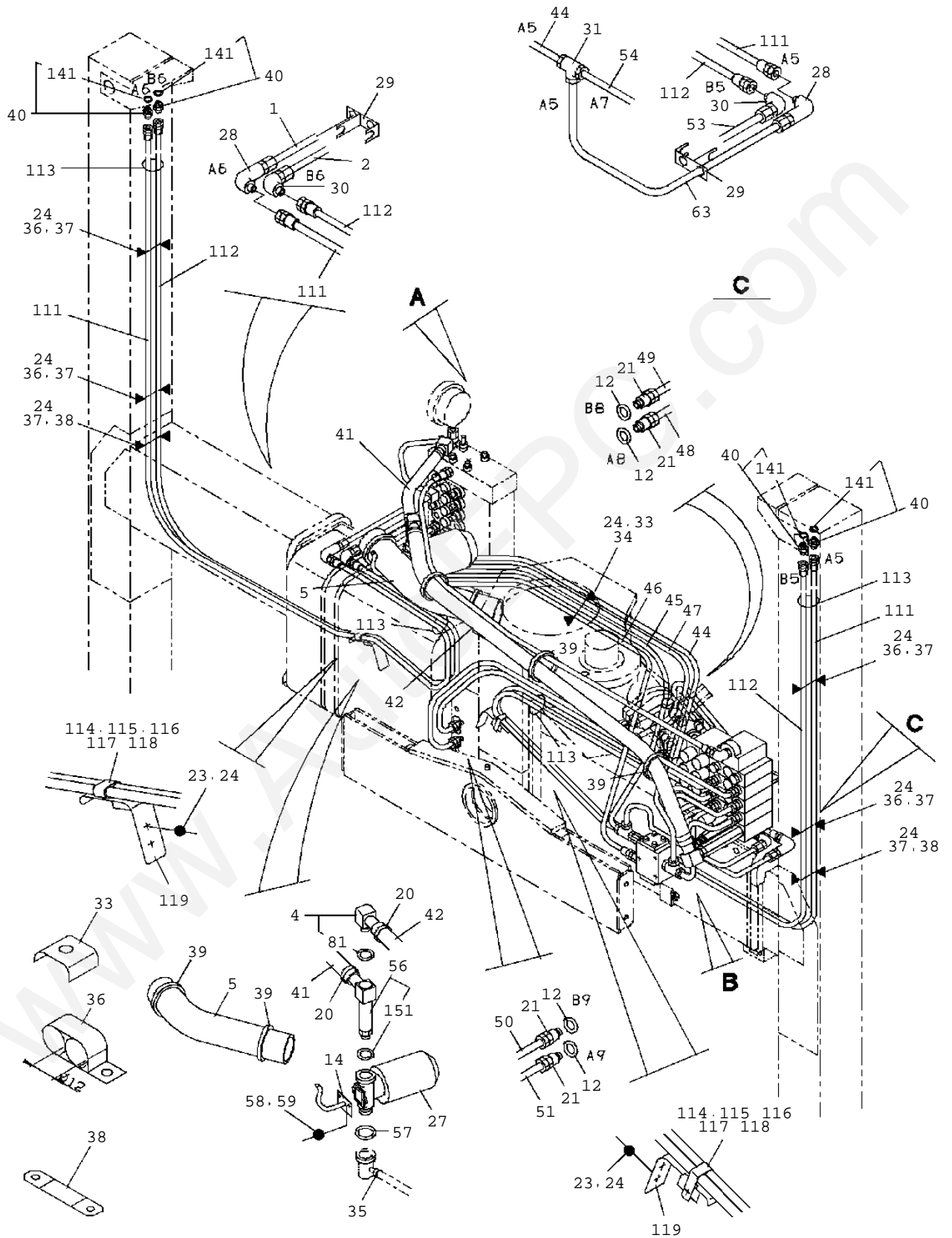
**TM-ZF360 41102210021A FRAME/SL,MANUAL**

Pos No.	Parts No	Parts Name	Qty	Unit	Technical Data	Serial No (Start)	Ser
1	36672580000	FILTER,CARTRIDGE	1				

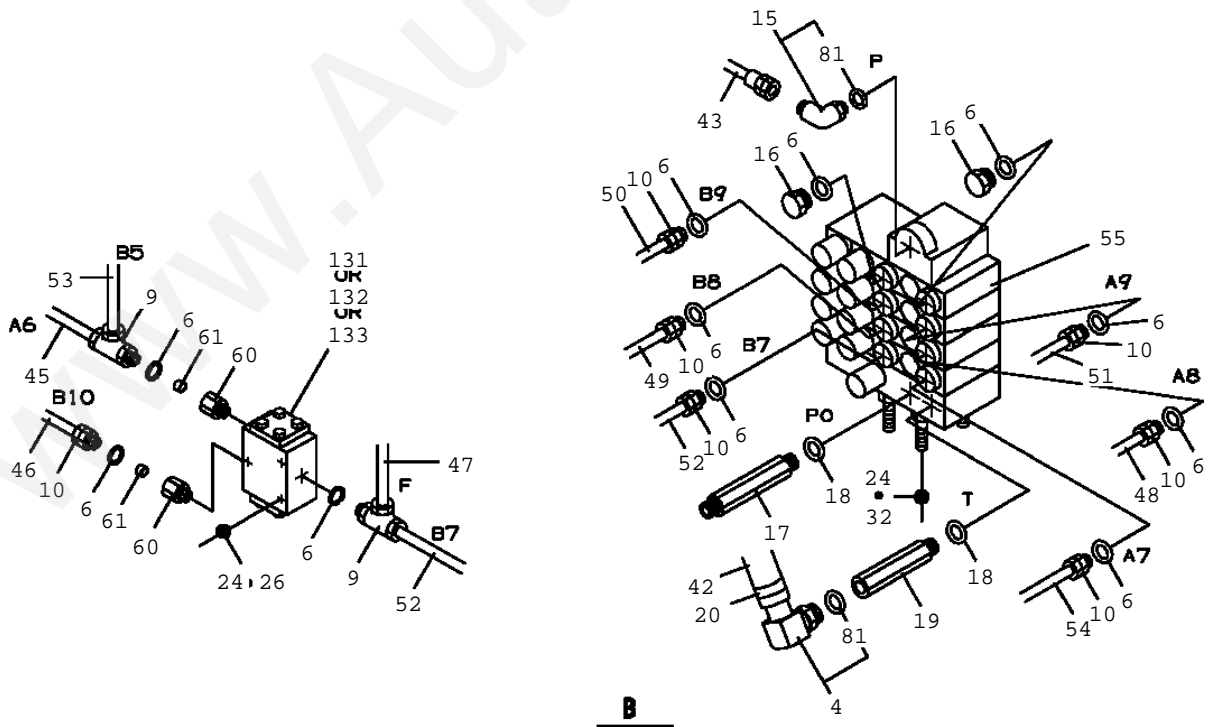
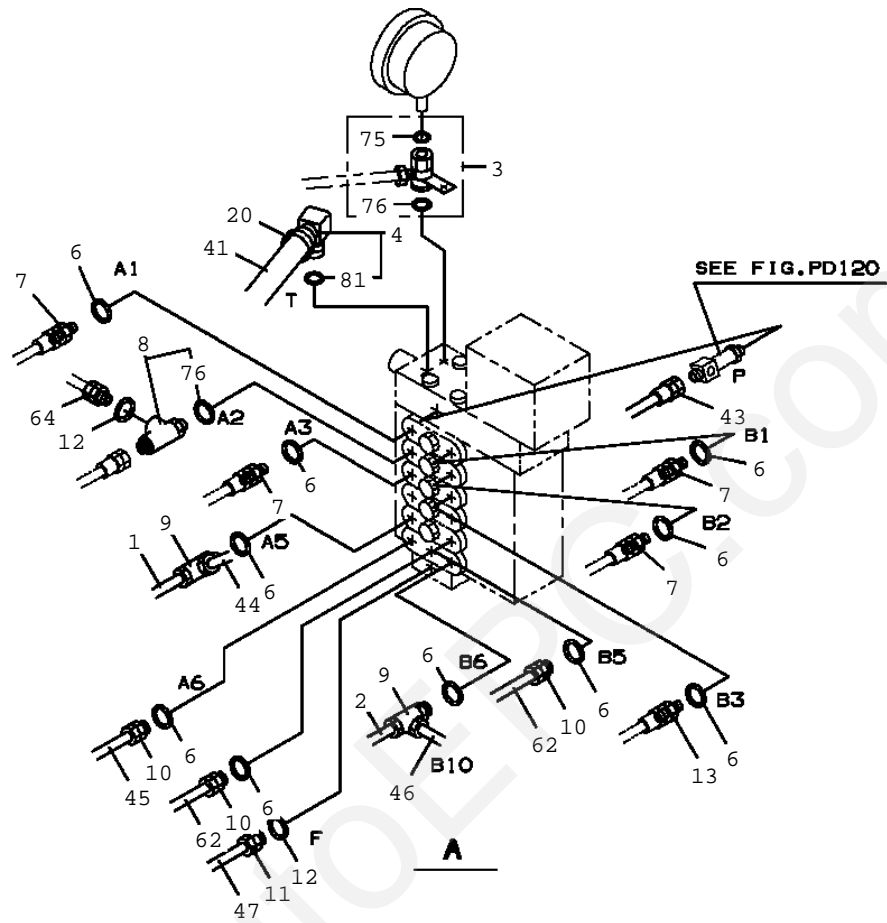
www.AutoEPC.com



TM-ZF360 41102210021A FRAME/SL, MANUAL  
 PB1410913-00 PIPING, LOWER (CRANE)



TM-ZF360 41102210021A FRAME/SL,MANUAL  
PB1410913-00 PIPING,LOWER (CRANE)



**TM-ZF360 41102210021A FRAME/SL,MANUAL**

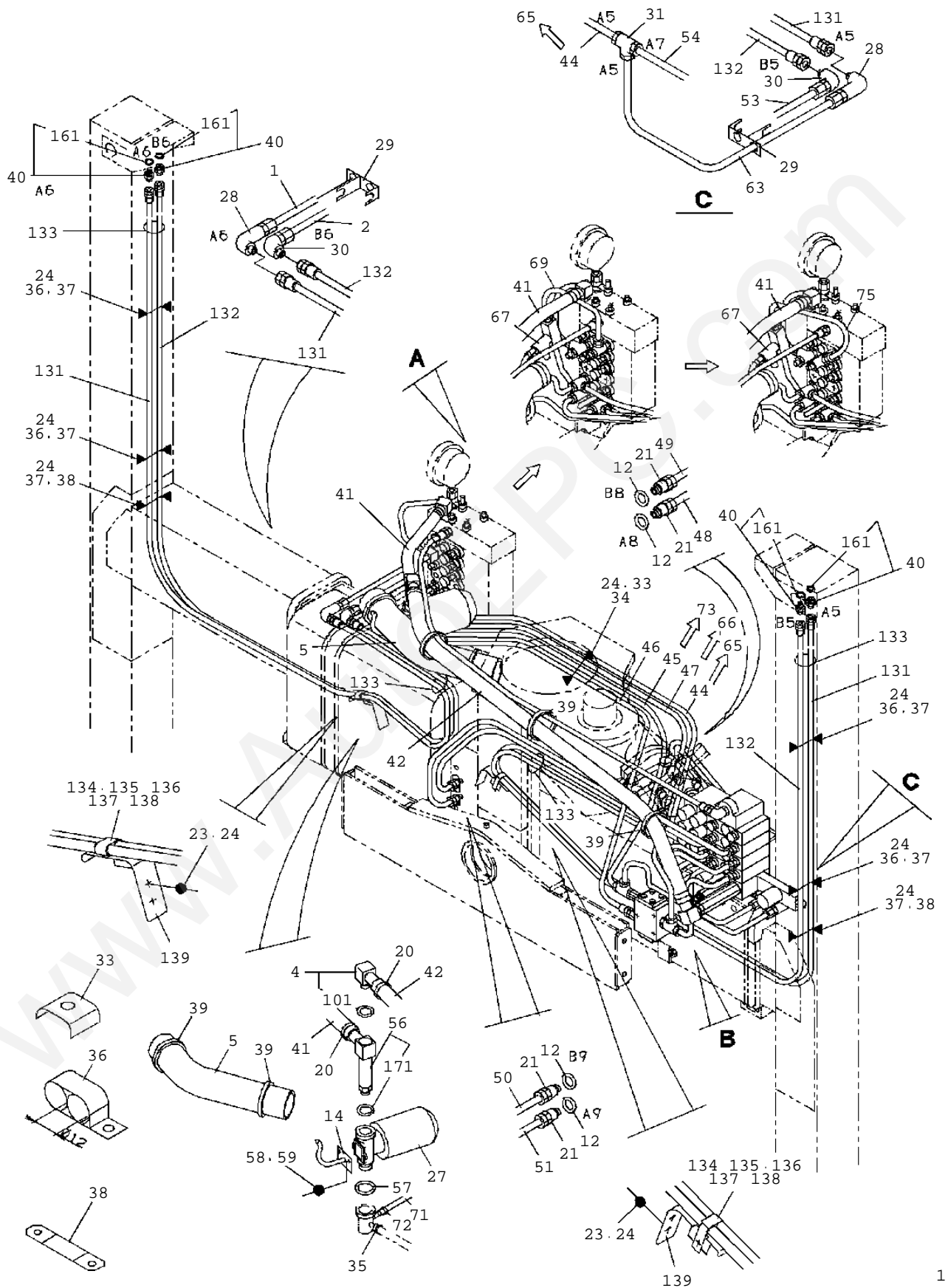
Pos No.	Parts No	Parts Name	Qty	Unit	Technical Data	S
1	81408000100	PIPE,STEEL	1	M	10X1.2T	
2	81408000100	PIPE,STEEL	1	M	10X1.2T	
3	31640650300	JOINT,SWIVEL	1			
4	80400160182	JOINT (WITH O-RING)	3			
5	31641800300	COVER	1			
6	91002801400	O-RING	21		1B P14	
7	80481003037	JOINT	4			
8	80400160180	JOINT (WITH O-RING)	1			
9	80305120100	FITTING	4			
10	80302120080	FITTING	10		POA10PF3/8	
11	80302120060	FITTING	1		POA10PF1/4	
12	91002801100	O-RING	8		1B P11	
13	80481003027	JOINT	1			
14	31642781200	SUPPORT	1			
15	80430620800	JOINT	1			
16	80316070060	PLUG	2		PF3/8	
17	80481004042	JOINT	1			
18	91002801800	O-RING	2		1B P18	
19	37000924070	JOINT	1		S,G1/2-G1/2	
20	91803600400	CLIP	4		D=27-40	
21	37000924350	FITTING	4			
23	90101208014	BOLT	4		M8X14	
24	90302040801	WASHER,SPRING	20		8	
26	90101208060	BOLT	3		M8X60	
27	36672280000	FILTER,OIL (YAMASHIN)	1			
28	37000922410	JOINT	2			
29	31642591300	SUPPORT	2			
30	37000924770	JOINT	2			
31	80305090080	FITTING,TEE	1			
32	90201780800	NUT	4		M8	
33	37000602910	CLAMP	1			
34	90101208028	BOLT	1		M8X28	
35	91803600200	CLIP	1		D=13-20	
36	82100002039	CLAMP	4			
37	90240200800	NUT,CAP	8		M8	
38	37000600920	CLAMP	2		L=90	
39	91810130270	FASTENER	5			
40	80491002020	JOINT (WITH O-RING)	4			
41	37002510990	HOSE	1		L=310	
42	37002511190	HOSE	1		L=1370	
43	37002453040	HOSE	1		L=1510	
44	81408000100	PIPE,STEEL	2	M	10X1.2T	
45	81408000100	PIPE,STEEL	2	M	10X1.2T	
46	81408000100	PIPE,STEEL	2	M	10X1.2T	
47	81408000100	PIPE,STEEL	2	M	10X1.2T	
48	81408000100	PIPE,STEEL	2	M	10X1.2T	
49	81408000100	PIPE,STEEL	2	M	10X1.2T	
50	81408000100	PIPE,STEEL	2	M	10X1.2T	
51	81408000100	PIPE,STEEL	2	M	10X1.2T	
52	81408000100	PIPE,STEEL	1	M	10X1.2T	
53	81408000100	PIPE,STEEL	1	M	10X1.2T	
54	81408000100	PIPE,STEEL	1	M	10X1.2T	
55	36645090000	VALVE,REMOTE CONTROL (SANWA)	1			
	36645870000	VALVE,REMOTE CONTROL (SANWA)	1			
56	80400160203	JOINT (WITH O-RING)	1			
57	91002802900	O-RING	1		1B P29	
58	90191210016	BOLT	2		M10X16	
59	90302041001	WASHER,SPRING	2		10	
60	37000924750	JOINT	2			
61	37000310510	SPACER	2		L=8	
62	81408000100	PIPE,STEEL	1	M	10X1.2T	
63	81408000100	PIPE,STEEL	1	M	10X1.2T	
64	80302120100	FITTING	1		POA12 PF1/4	
75	91002801000	O-RING	1		1B P10	
76	91002801400	O-RING	3		1B P14	
81	91002801800	O-RING	4		1B P18	
111	37002444610	HOSE	2		L=3250	
112	37002456760	HOSE	2		L=3210	
113	91810130240	FASTENER	4			
114	31642591240	CLAMP	2		12X2	
115	90101208018	BOLT	2		M8X18	
116	90303070801	WASHER,PLAIN	2		8	
117	90302040801	WASHER,SPRING	2		8	
118	90201200800	NUT	2		M8	

**TM-ZF360 41102210021A FRAME/SL,MANUAL**

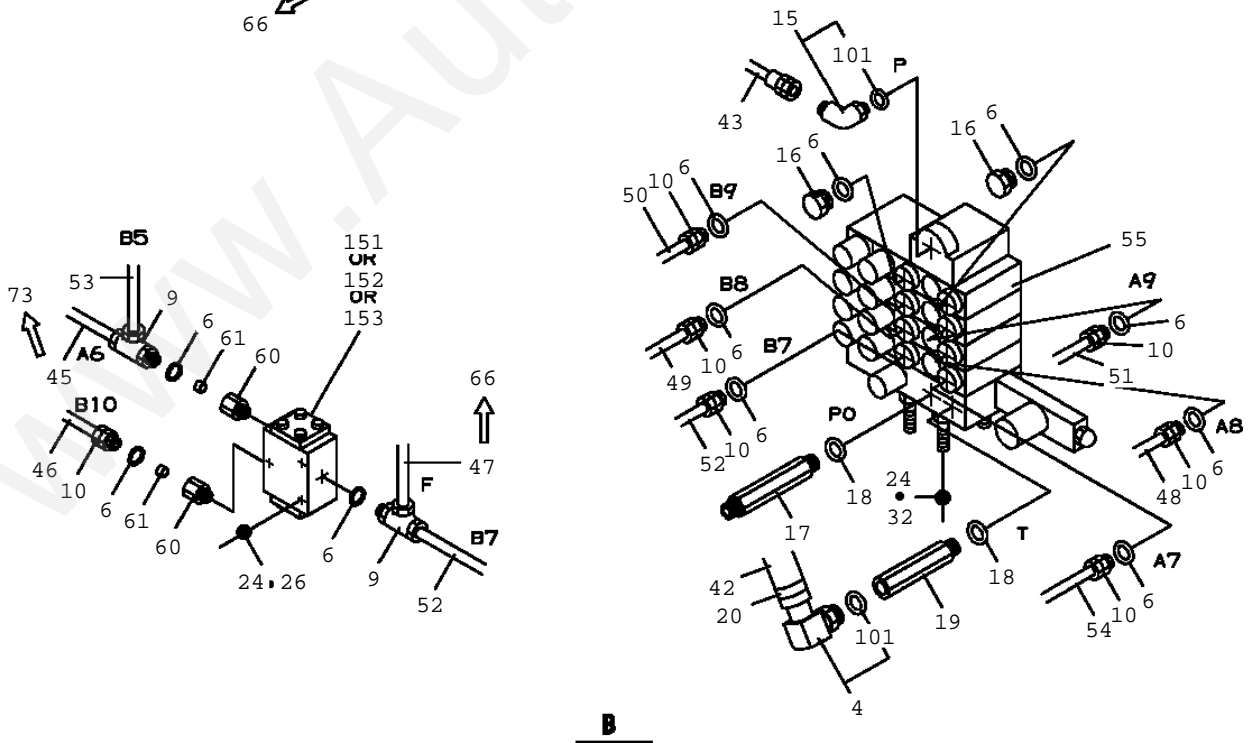
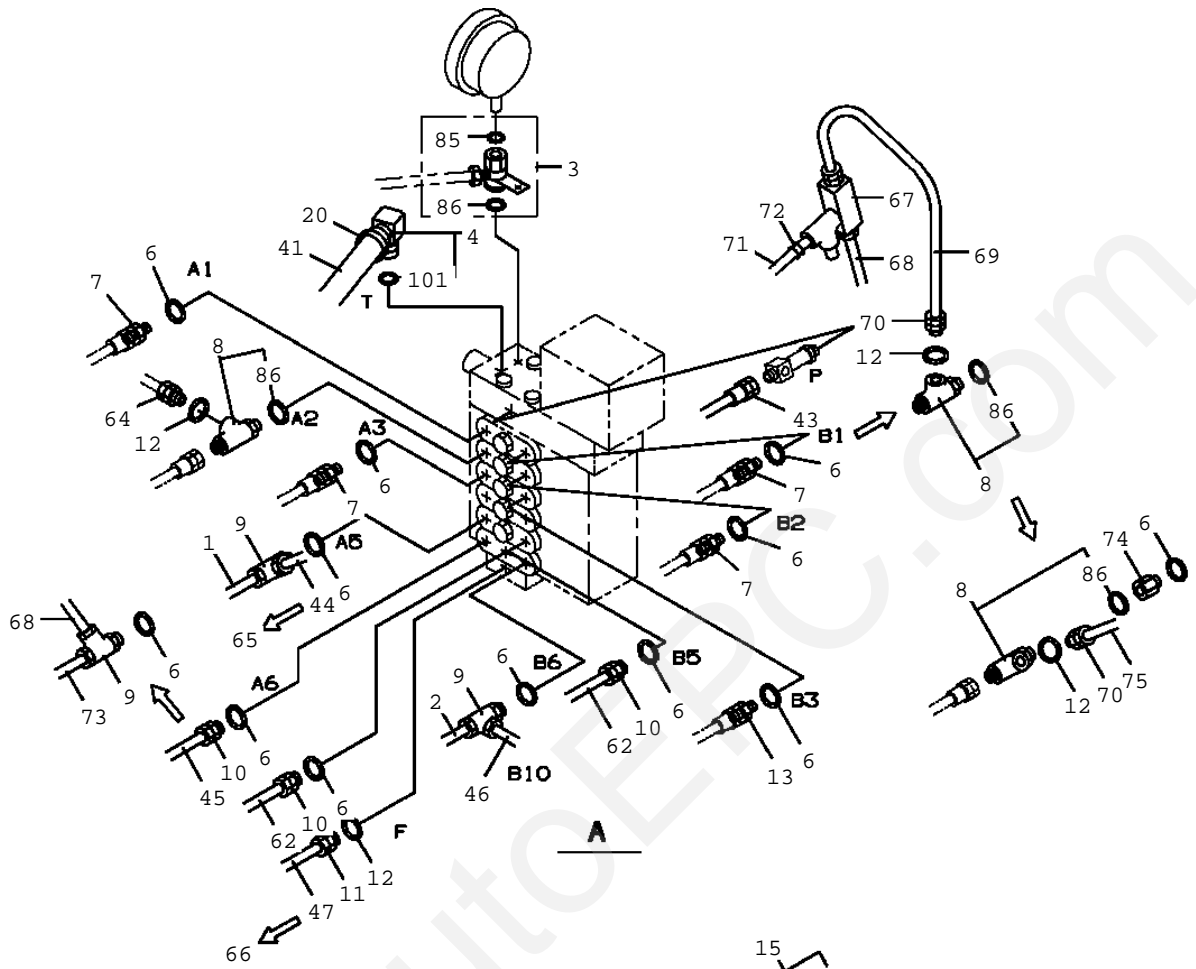
Pos No.	Parts No	Parts Name	Qty	Unit	Technical Data	S
119	31642851530	SUPPORT	2			
132	36611130000	VALVE,DIVIDING & COMBINING (MURAKAMI)	1			
141	91002801100	O-RING	4		1B P11	
151	91002802900	O-RING	1		1B P29	

www.AutoEPC.com

TM-ZF360 41102210021A FRAME/SL, MANUAL  
 PB1410914-00 PIPING, LOWER (CRANE)



TM-ZF360 41102210021A FRAME/SL, MANUAL  
PB1410914-00 PIPING, LOWER (CRANE)



**TM-ZF360 41102210021A FRAME/SL,MANUAL**

Pos No.	Parts No	Parts Name	Qty	Unit	Technical Data	S
1	81408000100	PIPE,STEEL	1	M	10X1.2T	
2	81408000100	PIPE,STEEL	1	M	10X1.2T	
3	31640650300	JOINT,SWIVEL	1			
4	80400160182	JOINT (WITH O-RING)	3			
5	31641800300	COVER	1			
6	91002801400	O-RING	21		1B P14	
7	80481003037	JOINT	4			
	80481003037	JOINT	3			
8	80400160180	JOINT (WITH O-RING)	1			E
	80400160180	JOINT (WITH O-RING)	2			E
9	80305120100	FITTING	4			
	80305120100	FITTING	5			E
10	80302120080	FITTING	10		POA10PF3/8	
	80302120080	FITTING	9		POA10PF3/8	E
11	80302120060	FITTING	1		POA10PF1/4	
12	91002801100	O-RING	8		1B P11	
	91002801100	O-RING	9		1B P11	E
13	80481003027	JOINT	1			
14	31642781200	SUPPORT	1			
15	80430620800	JOINT	1			
16	80316070060	PLUG	2		PF3/8	
17	80481004042	JOINT	1			
18	91002801800	O-RING	2		1B P18	
19	37000924070	JOINT	1		S,G1/2-G1/2	
20	91803600400	CLIP	4		D=27-40	
21	37000924350	FITTING	4			
23	90101208014	BOLT	4		M8X14	
24	90302040801	WASHER,SPRING	20		8	
26	90101208060	BOLT	3		M8X60	
27	36672280000	FILTER,OIL (YAMASHIN)	1			
28	37000922410	JOINT	2			
29	31642591300	SUPPORT	2			
30	37000924770	JOINT	2			
31	80305090080	FITTING,TEE	1			
32	90201780800	NUT	4		M8	
33	37000602910	CLAMP	1			
34	90101208028	BOLT	1		M8X28	
35	91803600200	CLIP	1		D=13-20	
36	82100002039	CLAMP	4			
37	90240200800	NUT,CAP	8		M8	
38	37000600920	CLAMP	2		L=90	
39	91810130270	FASTENER	5			
40	80491002020	JOINT (WITH O-RING)	4			
41	37002510990	HOSE	1		L=310	
42	37002511190	HOSE	1		L=1370	
43	37002453040	HOSE	1		L=1510	
44	81408000100	PIPE,STEEL	2	M	10X1.2T	
45	81408000100	PIPE,STEEL	2	M	10X1.2T	
46	81408000100	PIPE,STEEL	2	M	10X1.2T	
47	81408000100	PIPE,STEEL	2	M	10X1.2T	
48	81408000100	PIPE,STEEL	2	M	10X1.2T	
49	81408000100	PIPE,STEEL	2	M	10X1.2T	
50	81408000100	PIPE,STEEL	2	M	10X1.2T	
51	81408000100	PIPE,STEEL	2	M	10X1.2T	
52	81408000100	PIPE,STEEL	1	M	10X1.2T	
53	81408000100	PIPE,STEEL	1	M	10X1.2T	
54	81408000100	PIPE,STEEL	1	M	10X1.2T	
55	36646550000	VALVE,REMOTE CONTROL (SANWA)	1			
56	80400160203	JOINT (WITH O-RING)	1			
57	91002802900	O-RING	1		1B P29	
58	90191210016	BOLT	2		M10X16	
59	90302041001	WASHER,SPRING	2		10	
60	37000924750	JOINT	2			
61	37000310510	SPACER	2		L=8	
62	81408000100	PIPE,STEEL	1	M	10X1.2T	
63	81408000100	PIPE,STEEL	1	M	10X1.2T	
64	80302120100	FITTING	1		POA12 PF1/4	
65	81408000100	PIPE,STEEL	2	M	10X1.2T	E
66	81408000100	PIPE,STEEL	2	M	10X1.2T	E
67	36624670000	VALVE,PILOT CHECK	1			E
68	81408000100	PIPE,STEEL	1	M	10X1.2T	E
70	80302120040	FITTING	1		POA08PF1/4	E
71	37002508780	HOSE	1			E
72	91803880070	CLIP	2		D=13.1-16.2	E

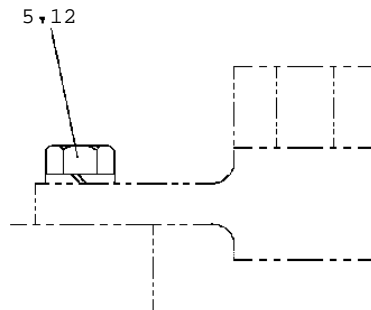
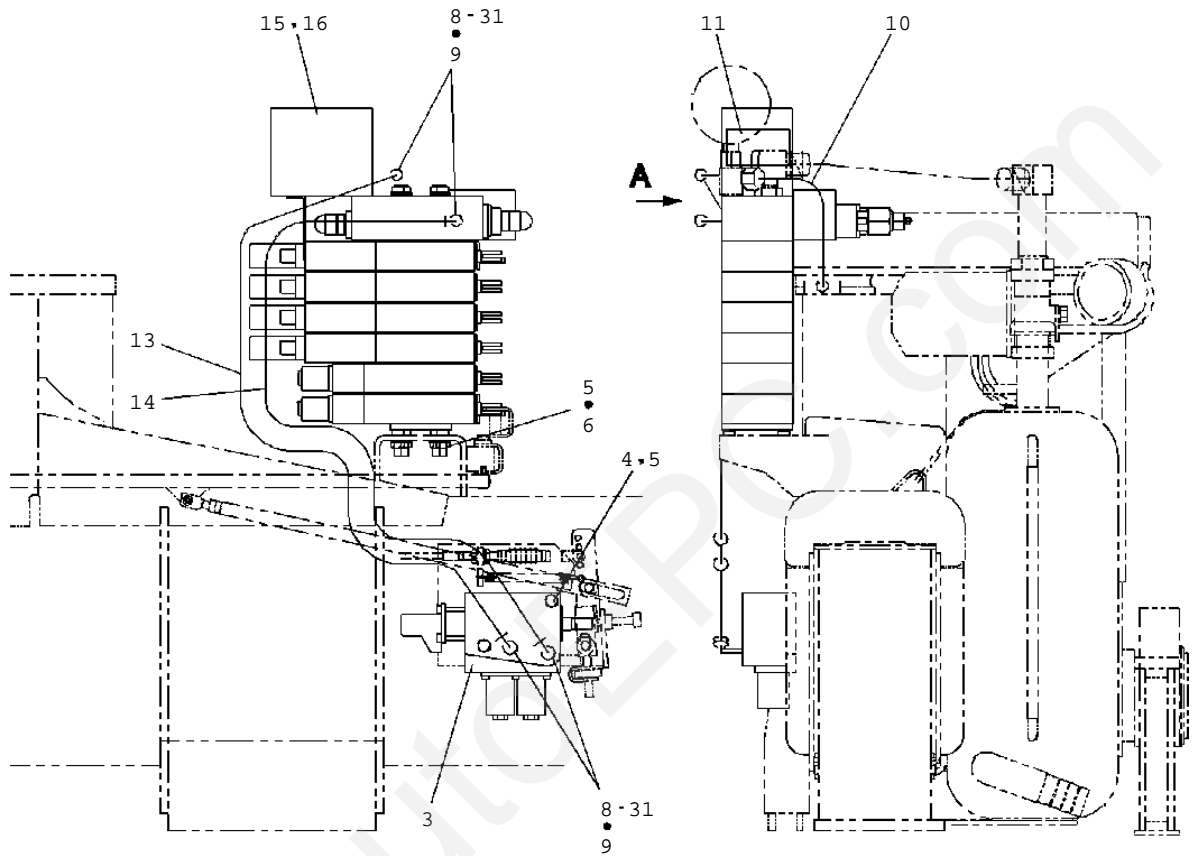
**TM-ZF360 41102210021A FRAME/SL,MANUAL**

Pos No.	Parts No	Parts Name	Qty	Unit	Technical Data	S
73	81408000100	PIPE,STEEL	1	M	10X1.2T	E
74	37000925680	JOINT	1		S,G3/8-G3/8	E
75	81408000081	PIPE,STEEL	1	M	8X1.2T	E
85	91002801000	O-RING	1		1B P10	
86	91002801400	O-RING	2		1B P14	
	91002801400	O-RING	1		1B P14	
	91002801400	O-RING	2		1B P14	
101	91002801800	O-RING	4		1B P18	E
131	37002444610	HOSE	2		L=3250	
132	37002456760	HOSE	2		L=3210	
133	91810130240	FASTENER	4			
134	31642591240	CLAMP	2		12X2	
135	90101208018	BOLT	2		M8X18	
136	90303070801	WASHER,PLAIN	2		8	
137	90302040801	WASHER,SPRING	2		8	
138	90201200800	NUT	2		M8	
139	31642851530	SUPPORT	2			
152	36611130000	VALVE,DIVIDING & COMBINING (MURAKAMI)	1			
161	91002801100	O-RING	4		1B P11	
171	91002802900	O-RING	1		1B P29	

www.AutoEPC.com



TM-ZF360 41102210021A FRAME/SL, MANUAL  
PB1411316-00 PIPING, LOWER (NACHI)



**A**

**TM-ZF360 41102210021A FRAME/SL,MANUAL**

Pos No.	Parts No	Parts Name	Qty	Unit	Technical Data	Serial No
3	36062600000	CYLINDER,ACCELERATOR(NACHI)	1			
4	90101208070	BOLT	2		M8X70	
5	90302040801	WASHER,SPRING	7		8	
6	90201780800	NUT	4		M8	
8	80303130081	FITTING,ELBOW	4		KLO08-020E	
9	91002801100	O-RING	4		1B P11	
10	81408000160	PIPE,STEEL	1	M	12X1.4T	
11	31394250100	PLATE,NAME	1			
12	90101208018	BOLT	1		M8X18	
13	81408000081	PIPE,STEEL	1	M	8X1.2T	
14	81408000081	PIPE,STEEL	1	M	8X1.2T	
15	36647980000	VALVE,REMOTE CONTROL (NACHI)	1			
16	80316070040	PLUG	1		PF1/4	
31	91002801100	O-RING	4		1B P11	

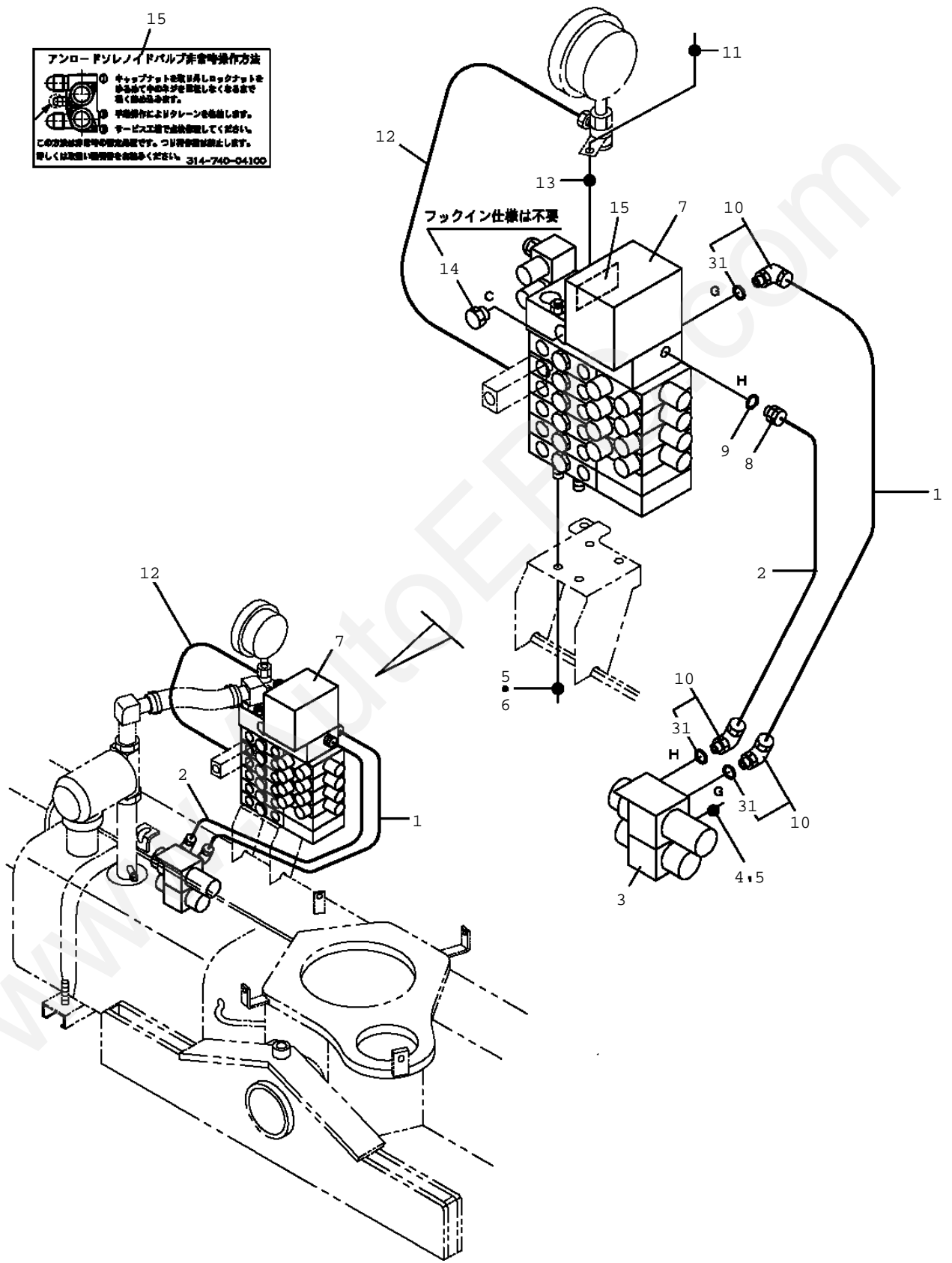
www.AutoEPC.com

15

**アンローソレノイドバルブ非常時操作方法**

- キャップネットを取り出しロックネットを  
 取り除き、中のネジを回してネジを  
 緩く締め込みます。
- 手で操作によりクレーンを巻上げます。
- キーピスエッジで点検確認してください。

この方法は非常時の緊急用です。つまり異常時は禁止します。  
 詳しくは取組説明書を参照してください。 314-740-04100

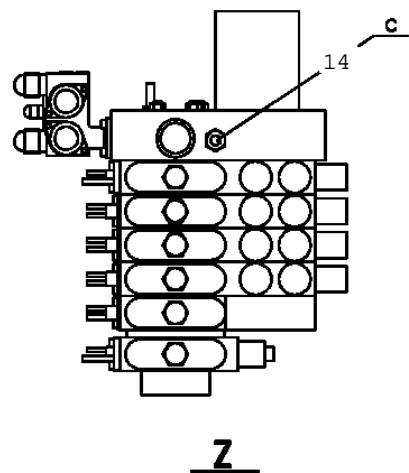
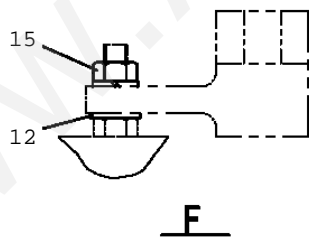
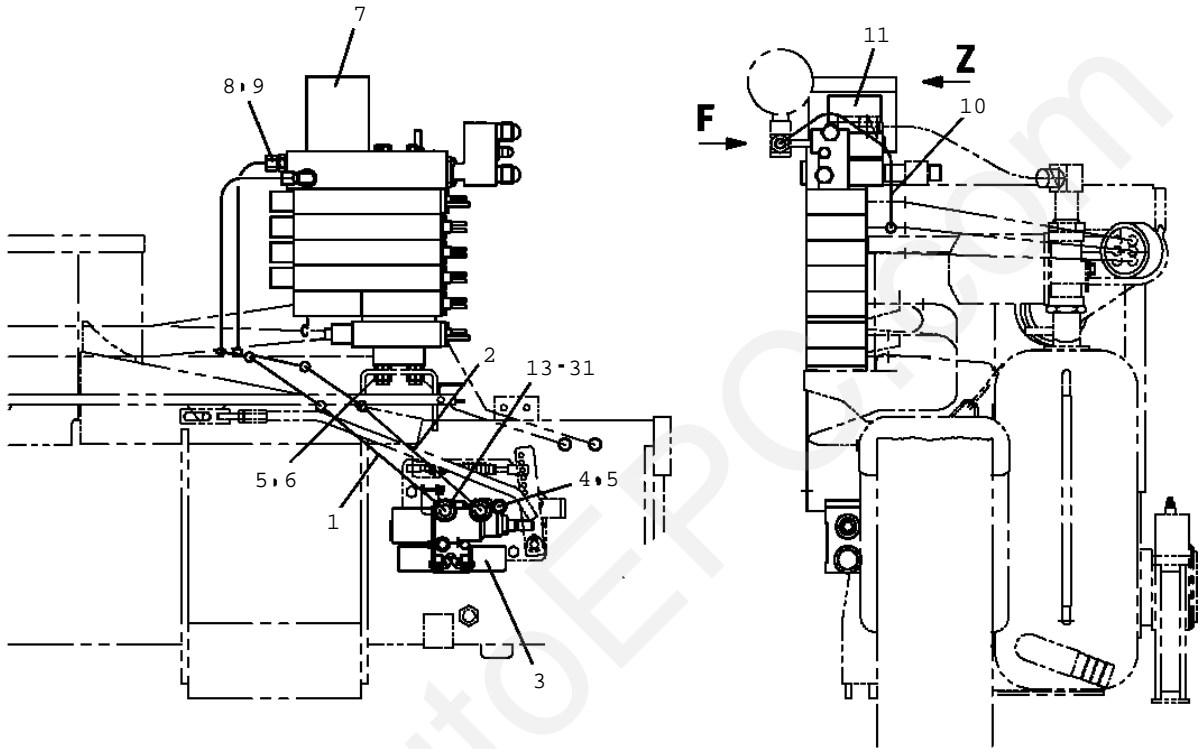


**TM-ZF360 41102210021A FRAME/SL, MANUAL**

Pos No.	Parts No	Parts Name	Qty	Unit	Technical Data	Serial No (Start)
1	81408000081	PIPE, STEEL	1	M	8X1.2T	
2	81408000081	PIPE, STEEL	1	M	8X1.2T	
3	36062740000	CYLINDER, ACCELERATOR	1			
4	90101208070	BOLT	2		M8X70	
5	90302040801	WASHER, SPRING	6		8	
6	90201780800	NUT	4		M8	
7	36740460001	VALVE, REMOTE CONTROL	1			
8	80302090081	FITTING	1		KCO80-020N	
9	91002801100	O-RING	1		1B P11	
10	80303130081	FITTING, ELBOW	3		KLO08-020E	
11	90280200800	NUT, FLANGE	1		M8	
12	81408000160	PIPE, STEEL	1	M	12X1.4T	
13	90303070801	WASHER, PLAIN	1		8	
14	80316070040	PLUG	1		PF1/4	
15	31474004100	PLATE, NAME	1			
31	91002801100	O-RING	3		1B P11	

www.AutoEPC.com

TM-ZF360 41102210021A FRAME/SL, MANUAL  
PB1411940-00 PIPING, LOWER (REMOTE CONTROL VALVE)

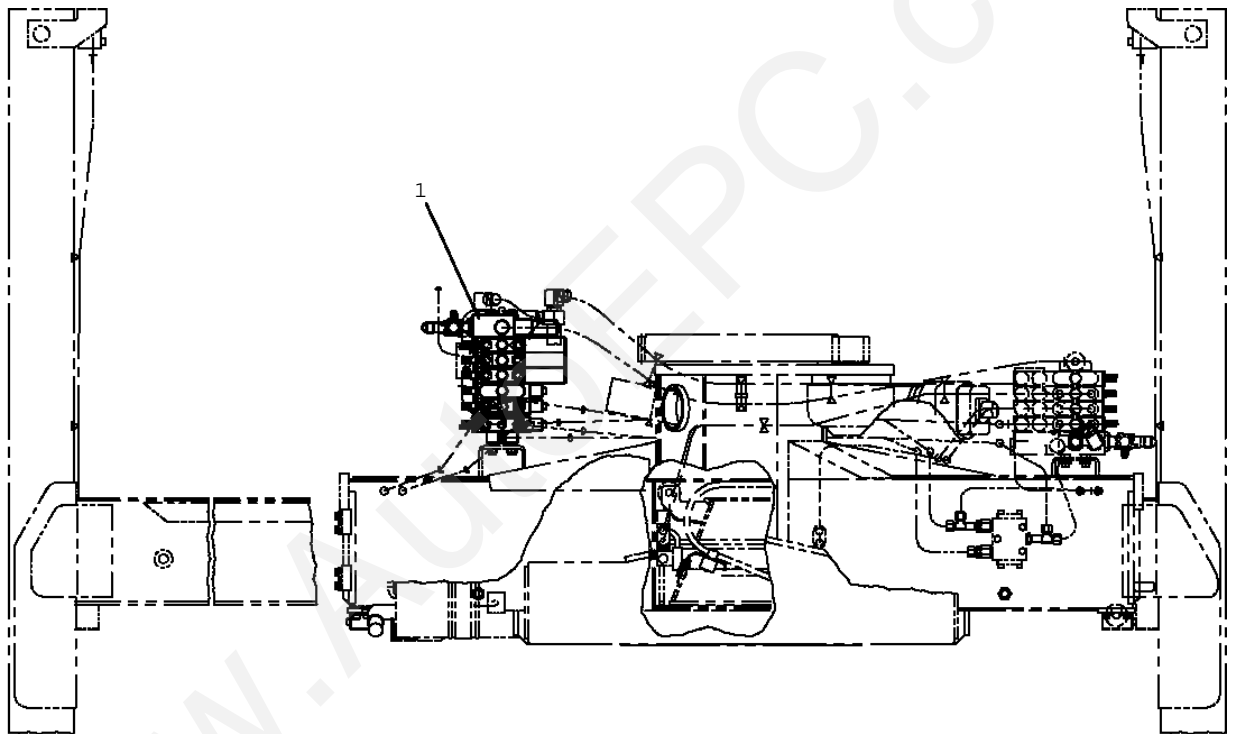


**TM-ZF360 41102210021A FRAME/SL, MANUAL**

Pos No.	Parts No	Parts Name	Qty	Unit	Technical Data	Serial No (Start)
1	81408000081	PIPE, STEEL	1	M	8X1.2T	
2	81408000081	PIPE, STEEL	1	M	8X1.2T	
3	36062740000	CYLINDER, ACCELERATOR	1			
4	90101208070	BOLT	2		M8X70	
5	90302040801	WASHER, SPRING	6		8	
6	90201780800	NUT	4		M8	
7	36740950000	VALVE, REMOTE CONTROL	1			
8	80302090081	FITTING	1		KCO80-020N	
9	91002801100	O-RING	1		1B P11	
10	81408000160	PIPE, STEEL	1	M	12X1.4T	
11	31474004100	PLATE, NAME	1			
12	90303070801	WASHER, PLAIN	1		8	
13	80303130081	FITTING, ELBOW	3		KLO08-020E	
14	80316070040	PLUG	1		PF1/4	
15	90280200800	NUT, FLANGE	1		M8	
31	91002801100	O-RING	3		1B P11	

www.AutoEPC.com

TM-ZF360 41102210021A FRAME/SL, MANUAL  
PB1910115-00 PIPING (VALVA, MANUALCONTOROL)



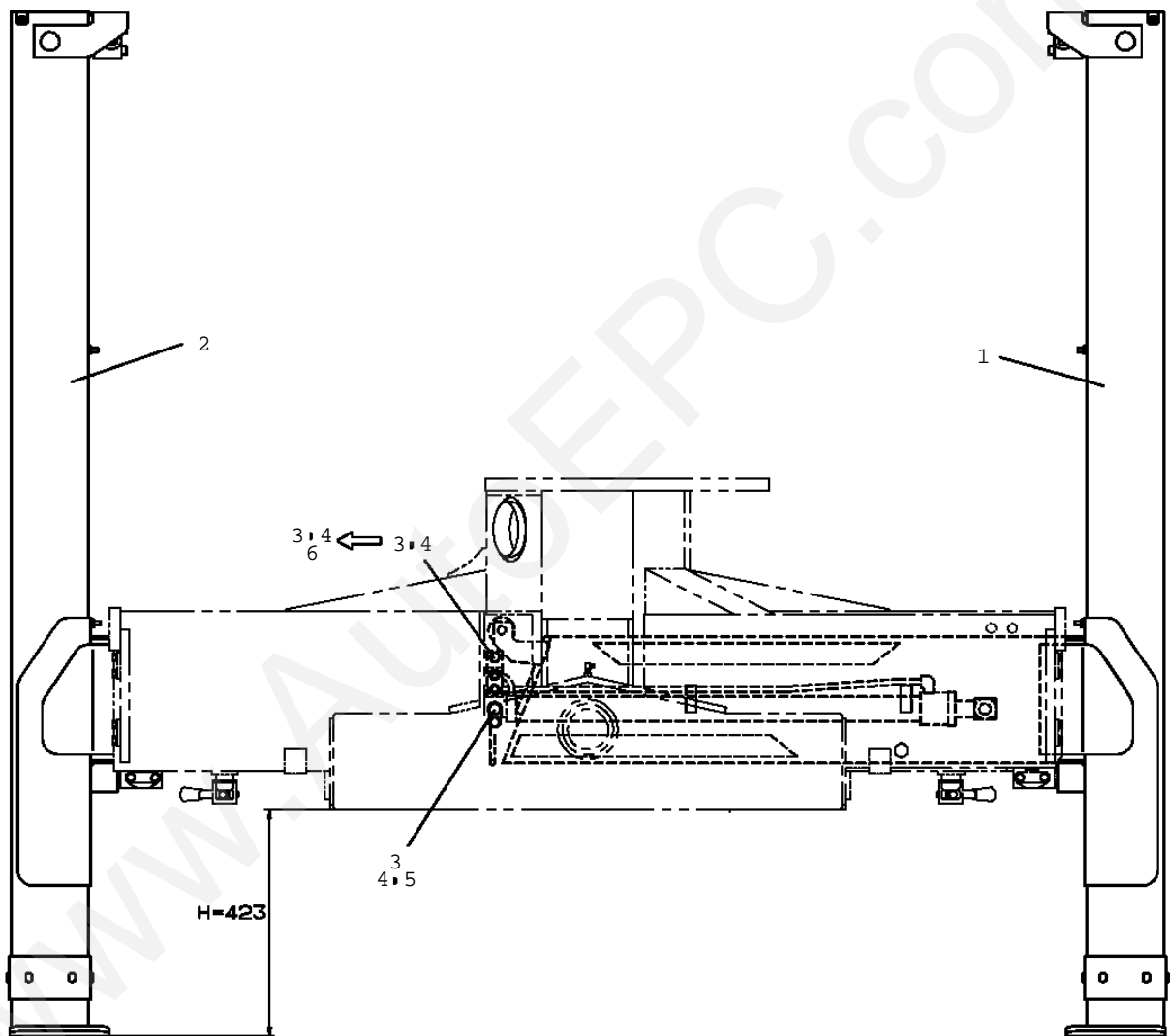
**TM-ZF360 41102210021A FRAME/SL,MANUAL**

Pos No.	Parts No	Parts Name	Qty	Unit	Technical Data	Serial No
1	36635990000	VALVE,MANUAL CONTROL (NABCO)	1			

www.AutoEPC.com



TM-ZF360 41102210021A FRAME/SL, MANUAL  
PC1010449-02 OUTRIGGER (FOR 4TON)

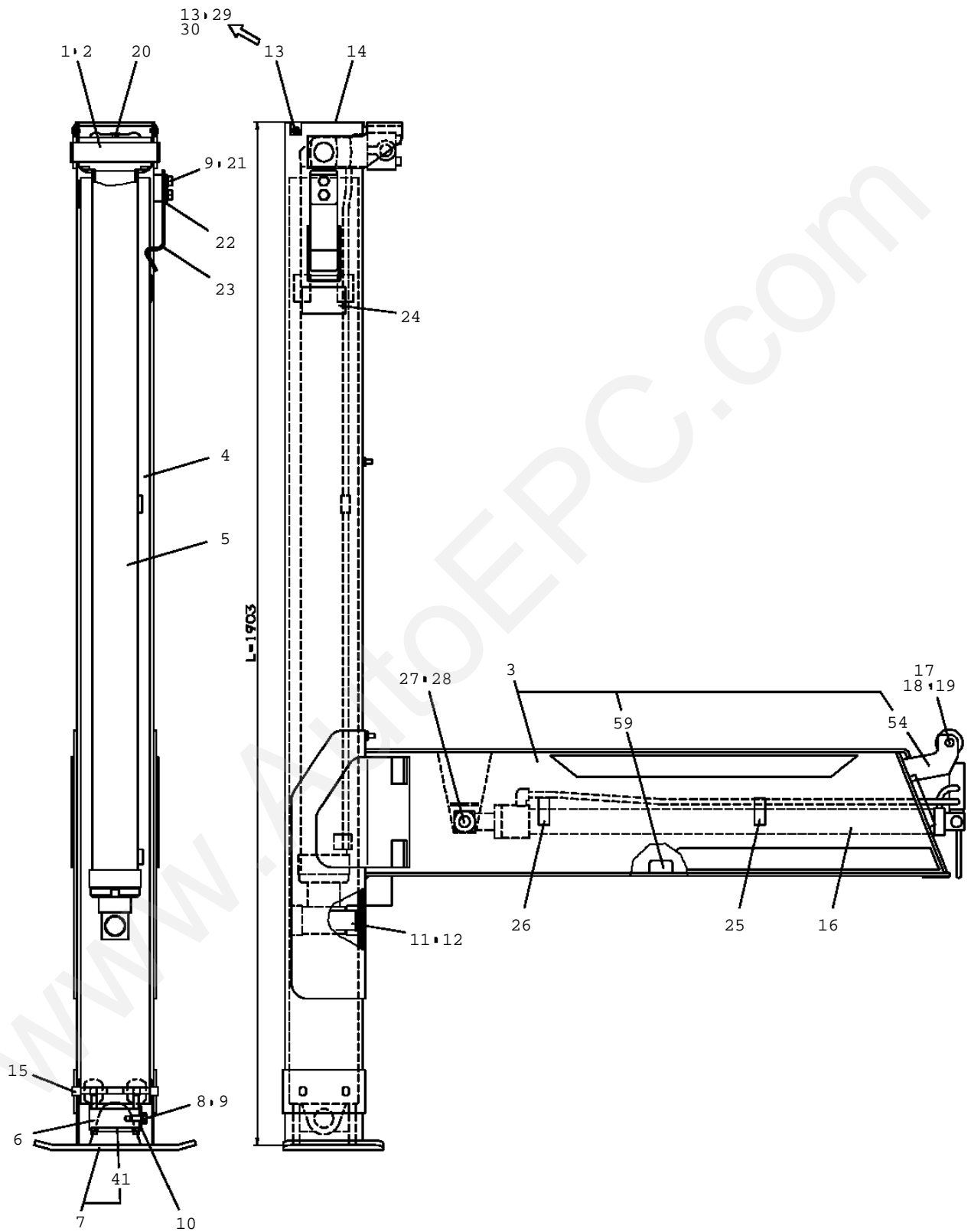


**TM-ZF360 41102210021A FRAME/SL, MANUAL**

Pos No.	Parts No	Parts Name	Qty	Unit	Technical Data	Serial No (Start)	Seri
1	(***** )	OUTRIGGER	1				
2	(***** )	OUTRIGGER	1				
3	90101210014	BOLT	4		M10X14		EP09
	90101210016	BOLT	4		M10X16	EP0934	
4	90302041001	WASHER, SPRING	4		10		
5	37000108200	PIN	2				
6	90303071001	WASHER, PLAIN	2		10	EP0934	

www.AutoEPC.com

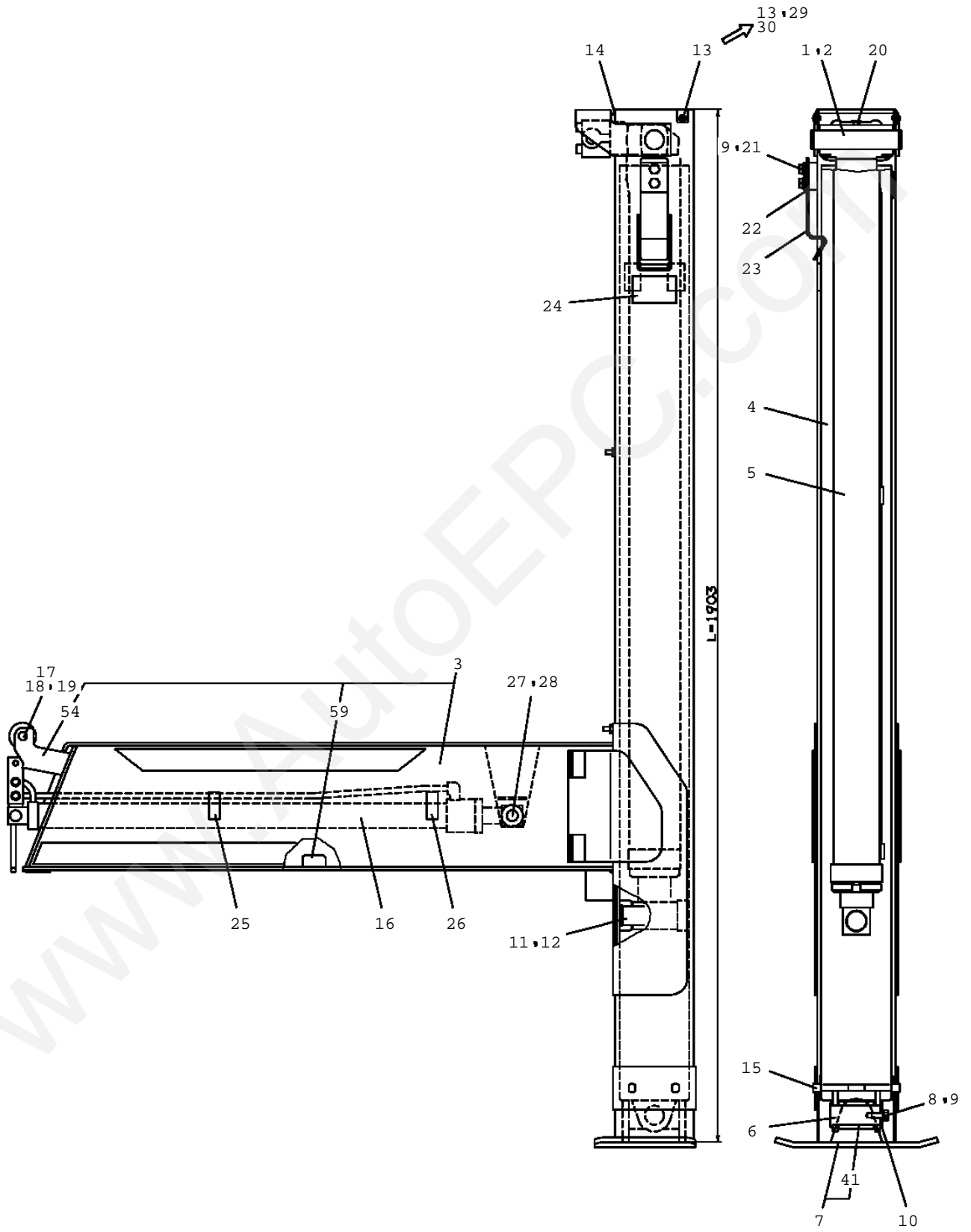
TM-ZF360 41102210021A FRAME/SL, MANUAL  
PC1010450-03 OUTRIGGER



**TM-ZF360 41102210021A FRAME/SL,MANUAL**

Pos No.	Parts No	Parts Name	Qty	Unit	Technical Data
1	37000161720	PIN	1		
2	80601110350	RING,RITAINING	2		S35
3	31611391001	CASE,OUTER (H=1903)	1		
4	31611302001	CASE,INNER	1		
5	(*****)	CYLINDER,JACK (MIN=1440)	1		
6	37000104130	PIN	1		
7	31610055000	FLOAT ASSY	1		
8	90191210020	BOLT	2		M10X20
9	90302041001	WASHER,SPRING	4		10
10	31200030530	PLATE	1		
11	37000161730	PIN	1		
12	80602110350	RING,RITAINING	2		R35
13	80192486010	SCREW,MACHINE	2		M6X10
	80182306010	SCREW,MACHINE	2		M6X10
14	31611300300	COVER	1		
15	31201770100	PLATE,SLIDE	8		T=3.0
16	36041970000	CYLINDER,EXTENSION (WELDED STRUCTURE)	1		
17	80530000225	BEARING,BALL (KOYO)	2		
	31620582020	BEARING,BALL (KOYO)	2		
18	80601110150	RING,RITAINING	2		15
19	37000150360	PIN	1		
20	82401800100	PLUG (FOR M10)	1		
21	90191210025	BOLT	2		M10X25
22	50822014000	PLATE	1		
23	37001400200	SPRING	1		
24	37002217610	PLATE,CAUTION (CAUTION)	1		
25	31611300500	PLATE,NAME (WHITE)	2		
26	31611300600	PLATE,NAME (YELLOW)	2		
27	37000135640	PIN	1		
28	80601110200	RING,RITAINING	2		S20
29	90302040601	WASHER,SPRING	2		6
30	90303070601	WASHER,PLAIN	2		6
41	31610055010	TRUNNION	1		
54	31611391280	SUPPORT	1		
59	31621692500	SUPPORT	1		

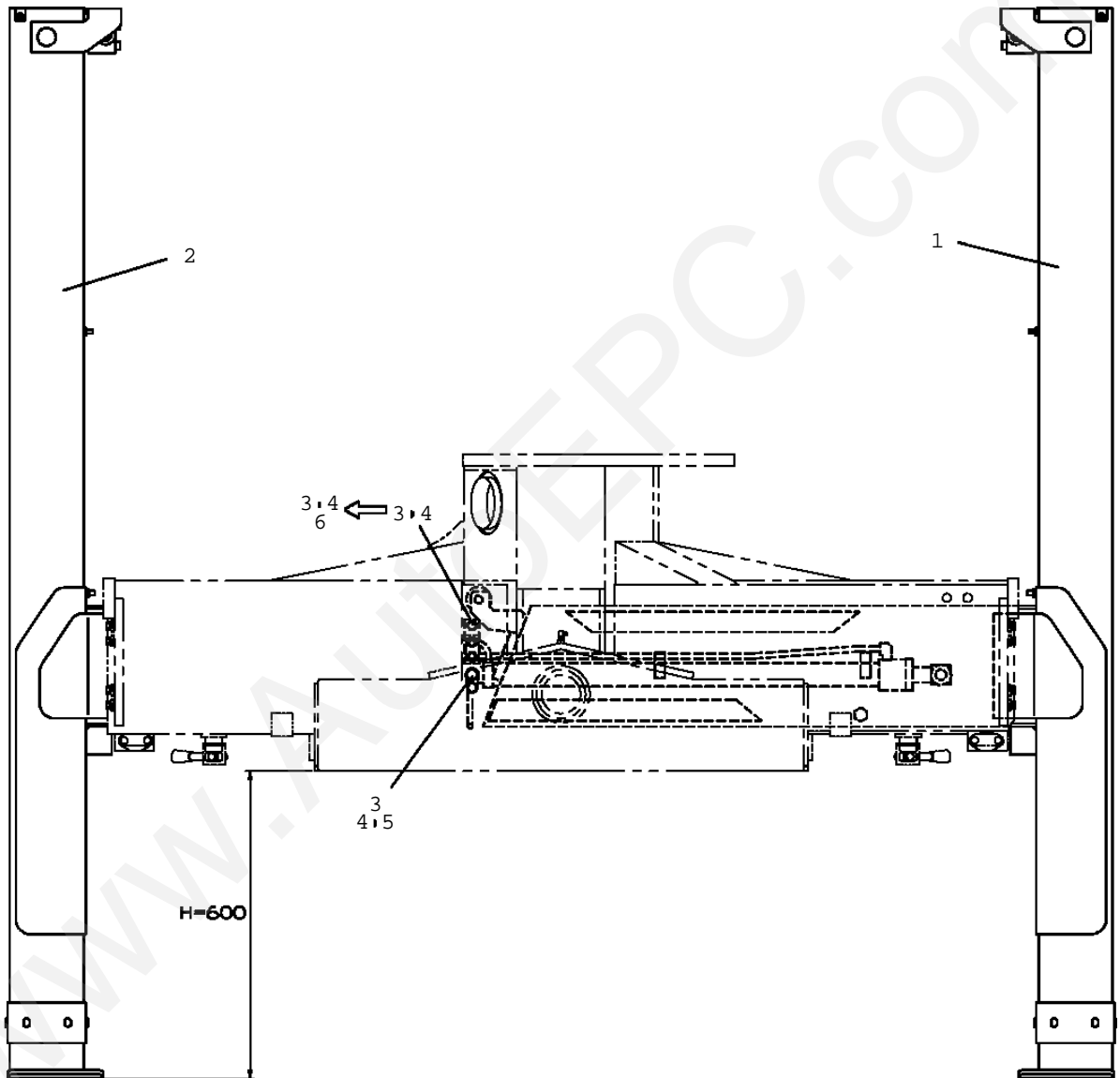
TM-ZF360 41102210021A FRAME/SL, MANUAL  
PC1010451-02 OUTRIGGER



**TM-ZF360 41102210021A FRAME/SL,MANUAL**

Pos No.	Parts No	Parts Name	Qty	Unit	Technical Data
1	37000161720	PIN	1		
2	80601110350	RING,RITAINING	2		S35
3	31611393001	CASE,OUTER (H=1903)	1		
4	31611302001	CASE,INNER	1		
5	(*****)	CYLINDER,JACK (MIN=1440)	1		
6	37000104130	PIN	1		
7	31610055000	FLOAT ASSY	1		
8	90191210020	BOLT	2		M10X20
9	90302041001	WASHER,SPRING	4		10
10	31200030530	PLATE	1		
11	37000161730	PIN	1		
12	80602110350	RING,RITAINING	2		R35
13	80192486010	SCREW,MACHINE	2		M6X10
	80182306010	SCREW,MACHINE	2		M6X10
14	31611300300	COVER	1		
15	31201770100	PLATE,SLIDE	8		T=3.0
16	36041970000	CYLINDER,EXTENSION (WELDED STRUCTURE)	1		
17	80530000225	BEARING,BALL (KOYO)	2		
	31620582020	BEARING,BALL (KOYO)	2		
18	80601110150	RING,RITAINING	2		15
19	37000150360	PIN	1		
20	82401800100	PLUG (FOR M10)	1		
21	90191210025	BOLT	2		M10X25
22	50822014000	PLATE	1		
23	37001400200	SPRING	1		
24	37002217610	PLATE,CAUTION (CAUTION)	1		
25	31611300500	PLATE,NAME (WHITE)	2		
26	31611300600	PLATE,NAME (YELLOW)	2		
27	37000135640	PIN	1		
28	80601110200	RING,RITAINING	2		S20
29	90302040601	WASHER,SPRING	2		6
30	90303070601	WASHER,PLAIN	2		6
41	31610055010	TRUNNION	1		
54	31611391280	SUPPORT	1		
59	31621692500	SUPPORT	1		

TM-ZF360 41102210021A FRAME/SL, MANUAL  
PC1010452-02 OUTRIGGER (FOR 6-7TON)



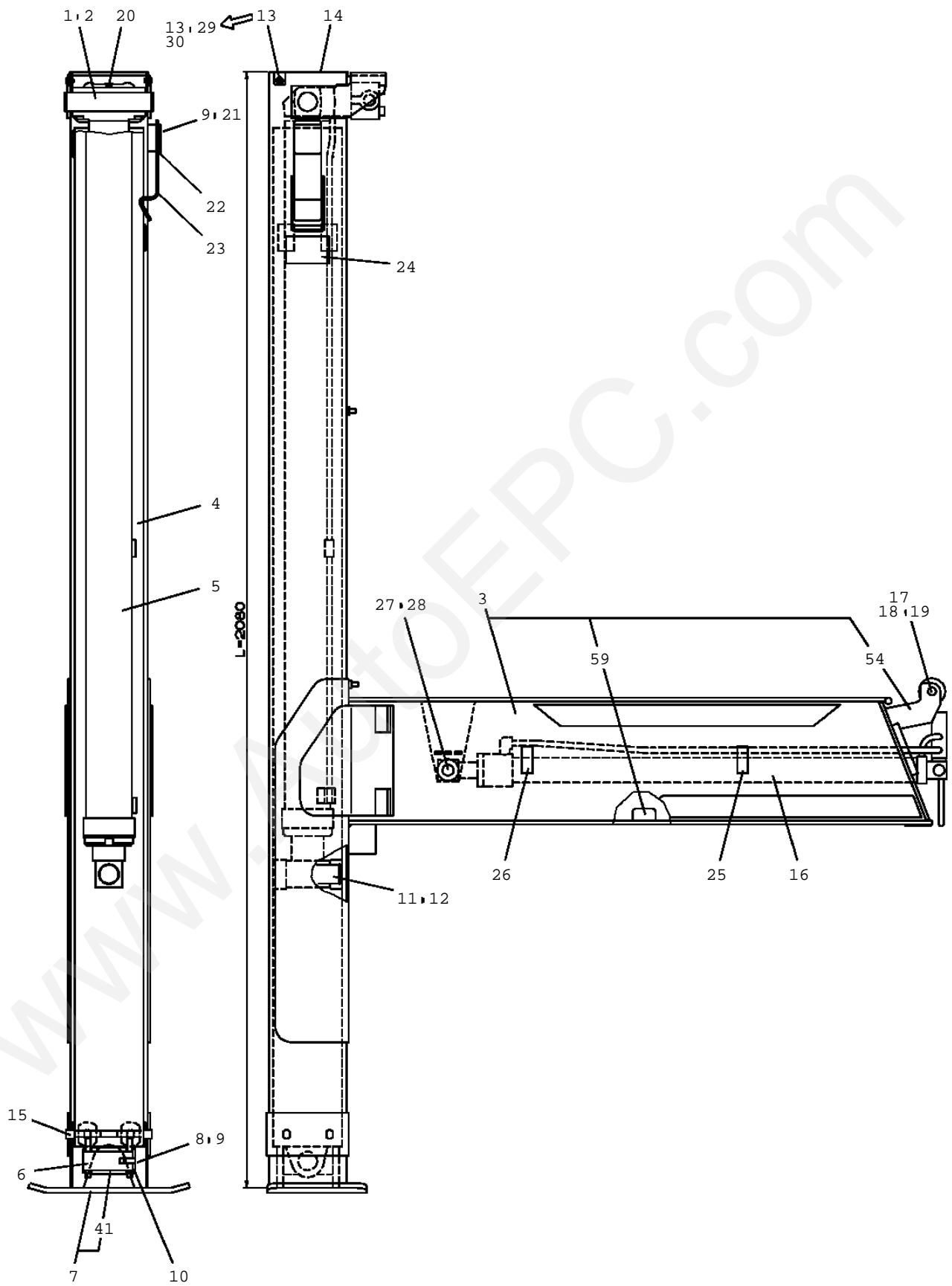
**TM-ZF360 41102210021A FRAME/SL,MANUAL**

Pos No.	Parts No	Parts Name	Qty	Unit	Technical Data	Serial No
1	(***** )	OUTRIGGER	1			
2	(***** )	OUTRIGGER (LEFT,F0R 6-7TON)	1			
3	90101210014	BOLT	4		M10X14	
	90101210016	BOLT	4		M10X16	EP0934
4	90302041001	WASHER,SPRING	4		10	
5	37000108200	PIN	2			
6	90303071001	WASHER,PLAIN	2		10	EP0934

www.AutoEPC.com



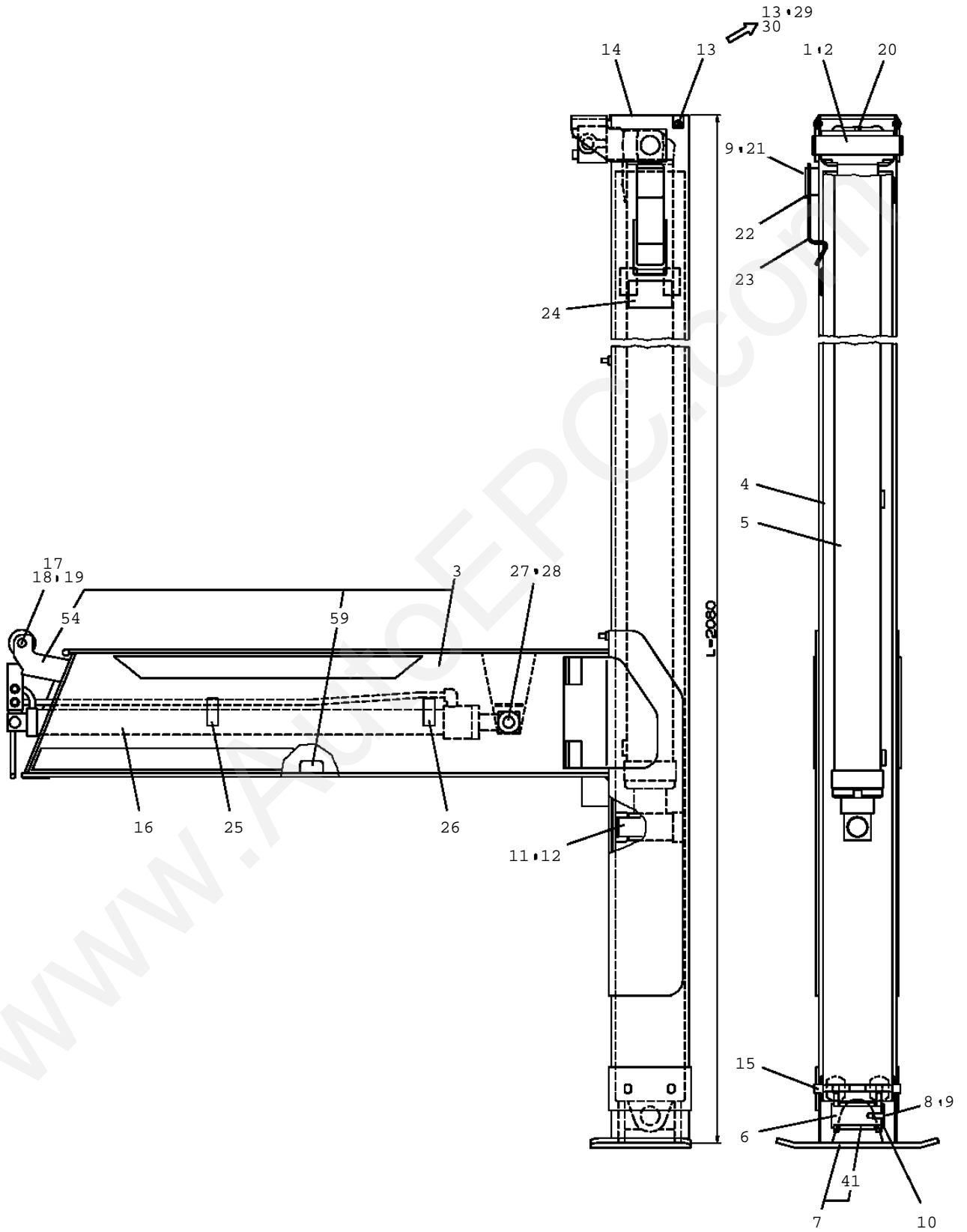
TM-ZF360 41102210021A FRAME/SL, MANUAL  
PC1010453-02 OUTRIGGER



**TM-ZF360 41102210021A FRAME/SL,MANUAL**

Pos No.	Parts No	Parts Name	Qty	Unit	Technical Data
1	37000161720	PIN	1		
2	80601110350	RING,RITAINING	2		S35
3	31611971000	CASE,OUTER (H=2080)	1		
4	31611922001	CASE,INNER	1		
5	(*****)	CYLINDER,JACK (MIN=1440)	1		
6	37000104130	PIN	1		
7	31610055000	FLOAT ASSY	1		
8	90191210020	BOLT	2		M10X20
9	90302041001	WASHER,SPRING	4		10
10	31200030530	PLATE	1		
11	37000161730	PIN	1		
12	80602110350	RING,RITAINING	2		R35
13	80192486010	SCREW,MACHINE	2		M6X10
	80182306010	SCREW,MACHINE	1		M6X10
14	31611300300	COVER	1		
15	31201770100	PLATE,SLIDE	8		T=3.0
16	36041970000	CYLINDER,EXTENSION (WELDED STRUCTURE)	1		
17	80530000225	BEARING,BALL (KOYO)	2		
	31620582020	BEARING,BALL (KOYO)	2		
18	80601110150	RING,RITAINING	2		15
19	37000150360	PIN	1		
20	82401800100	PLUG (FOR M10)	1		
21	90191210025	BOLT	2		M10X25
22	50822014000	PLATE	1		
23	37001400200	SPRING	1		
24	37002217610	PLATE,CAUTION (CAUTION)	1		
25	31611300500	PLATE,NAME (WHITE)	2		
26	31611300600	PLATE,NAME (YELLOW)	2		
27	37000135640	PIN	1		
28	80601110200	RING,RITAINING	2		S20
29	90302040601	WASHER,SPRING	2		6
30	90303070601	WASHER,PLAIN	2		6
41	31610055010	TRUNNION	1		
54	31611391280	SUPPORT	1		
59	31621692500	SUPPORT	1		

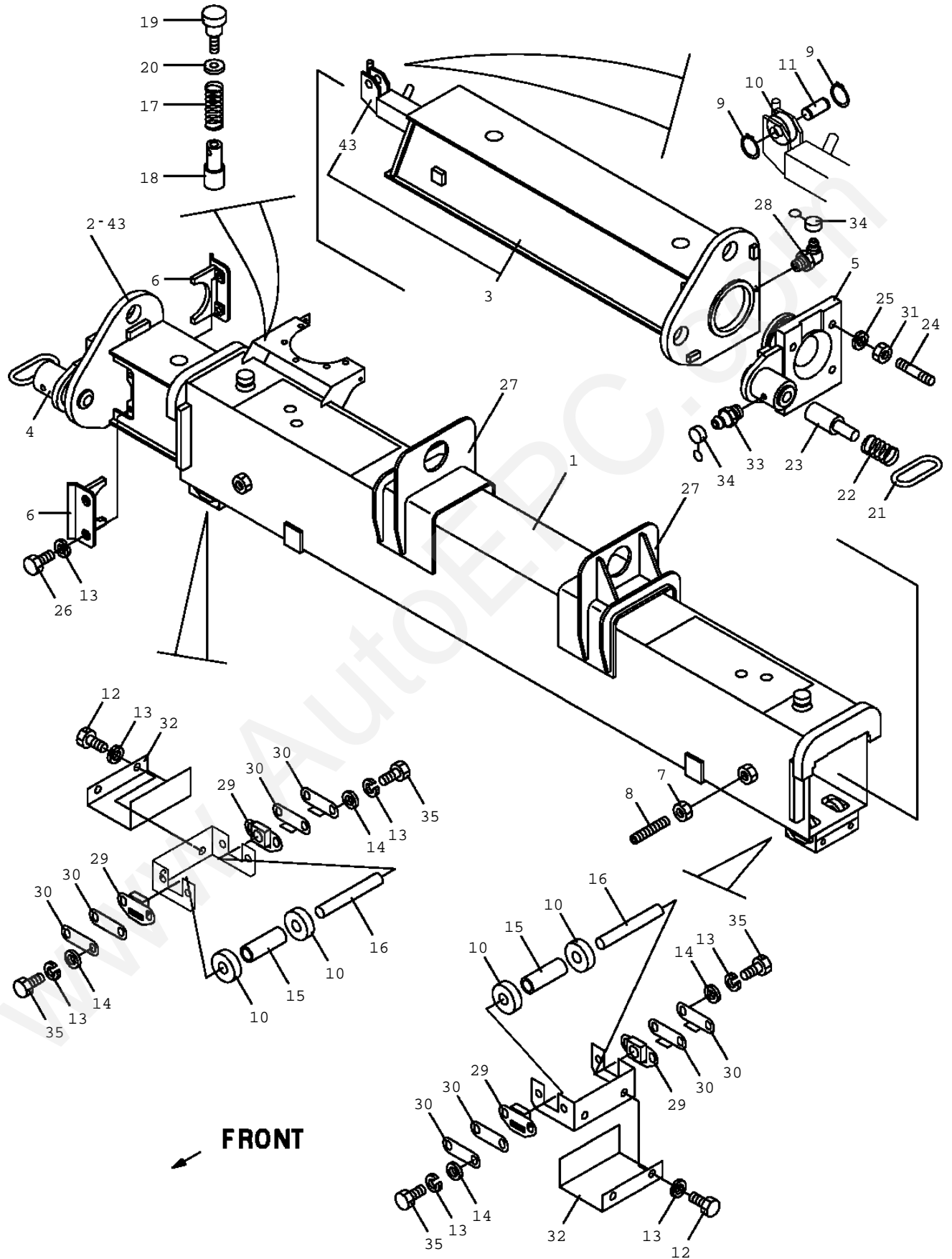
TM-ZF360 41102210021A FRAME/SL, MANUAL  
PC1010454-02 OUTRIGGER (LEFT, FOR 6-7TON)



**TM-ZF360 41102210021A FRAME/SL,MANUAL**

Pos No.	Parts No	Parts Name	Qty	Unit	Technical Data
1	37000161720	PIN	1		
2	80601110350	RING,RITAINING	2		S35
3	31611973000	CASE,OUTER (L=2080)	1		
4	31611922001	CASE,INNER	1		
5	(*****)	CYLINDER,JACK (MIN=1440)	1		
6	37000104130	PIN	1		
7	31610055000	FLOAT ASSY	1		
8	90191210020	BOLT	2		M10X20
9	90302041001	WASHER,SPRING	4		10
10	31200030530	PLATE	1		
11	37000161730	PIN	1		
12	80602110350	RING,RITAINING	2		R35
13	80192486010	SCREW,MACHINE	2		M6X10
	80182306010	SCREW,MACHINE	2		M6X10
14	31611300300	COVER	1		
15	31201770100	PLATE,SLIDE	8		T=3.0
16	36041970000	CYLINDER,EXTENSION (WELDED STRUCTURE)	1		
17	80530000225	BEARING,BALL (KOYO)	2		
	31620582020	BEARING,BALL (KOYO)	2		
18	80601110150	RING,RITAINING	2		15
19	37000150360	PIN	1		
20	82401800100	PLUG (FOR M10)	1		
21	90191210025	BOLT	2		M10X25
22	50822014000	PLATE	1		
23	37001400200	SPRING	1		
24	37002217610	PLATE,CAUTION (CAUTION)	1		
25	31611300500	PLATE,NAME (WHITE)	2		
26	31611300600	PLATE,NAME (YELLOW)	2		
27	37000135640	PIN	1		
28	80601110200	RING,RITAINING	2		S20
29	90302040601	WASHER,SPRING	2		6
30	90303070601	WASHER,PLAIN	2		6
41	31610055010	TRUNNION	1		
54	31611391280	SUPPORT	1		
59	31621692500	SUPPORT	1		

TM-ZF360 41102210021A FRAME/SL, MANUAL  
PC1010455-01 OUTRIGGER (REAR)



**TM-ZF360 41102210021A FRAME/SL,MANUAL**

Pos No.	Parts No	Parts Name	Qty	Unit	Technical Data	Serial No (Start)
1	31622291000	CASE, OUTER	1			
2	31622292000	CASE, INNER	1			
3	31622003000	CASE, INNER (RIGHT)	1			
4	31622004000	SUPPORT (LEFT)	1			
5	31622005000	SUPPORT (RIGHT)	1			
6	31622000100	SUPPORT	4			
7	90201201600	NUT	2		M16	
8	90720716400	SCREW, SET	2		M16X40	
9	80601110150	RING, RITAINING	4		15	
10	80530000225	BEARING, BALL (KOYO)	6			
	31620582020	BEARING, BALL (KOYO)	6			KB7532
11	37000134180	PIN	2			
12	90101208012	BOLT	4		M8X12	
13	90302040801	WASHER, SPRING	20		8	
14	90303070801	WASHER, PLAIN	8		8	
15	37000309980	SPACER	2		L=60	
16	37000161010	PIN	2			
17	37001201380	SPRING	2			
18	31621411700	PIN	2			
19	82442002305	KNOB	2			
20	37000553000	PLATE	2			
21	37003100030	GRIP	2			
22	37001200720	SPRING	2			
23	31621340200	PIN	2			
24	90142714025	BOLT, STUD	8			
25	90302041401	WASHER, SPRING	8		14	
26	90171108016	BOLT	8		M8X16	
27	31621510100	SUPPORT	2			
28	82458202000	NIPPLE, GREASE	2		B-TYPE PT1/8	
29	31621962100	SUPPORT	4			
30	31621962200	PLATE	12		T=0.5	
31	90201481400	NUT	8		M14	
32	31622000200	COVER	2			
33	82456201000	NIPPLE, GREASE	2		A-TYPE PT1/8	
34	82400000459	CAP	4			
35	90101208014	BOLT	8		M8X14	
43	31623679510	SUPPORT ASSY	2			

2	パイピング,アウトリガ PIPING,OUTRIGGER
3	ハイセンASSY ELEC.ASSY
4	プレートASSY,ネーム PLATE ASSY,NAME
11	アウトリガ OUTRIGGER
12	シリンダ,ジャッキ CYLINDER,JACK
13	パイピング,リヤジャッキ PIPING,REAR JACK

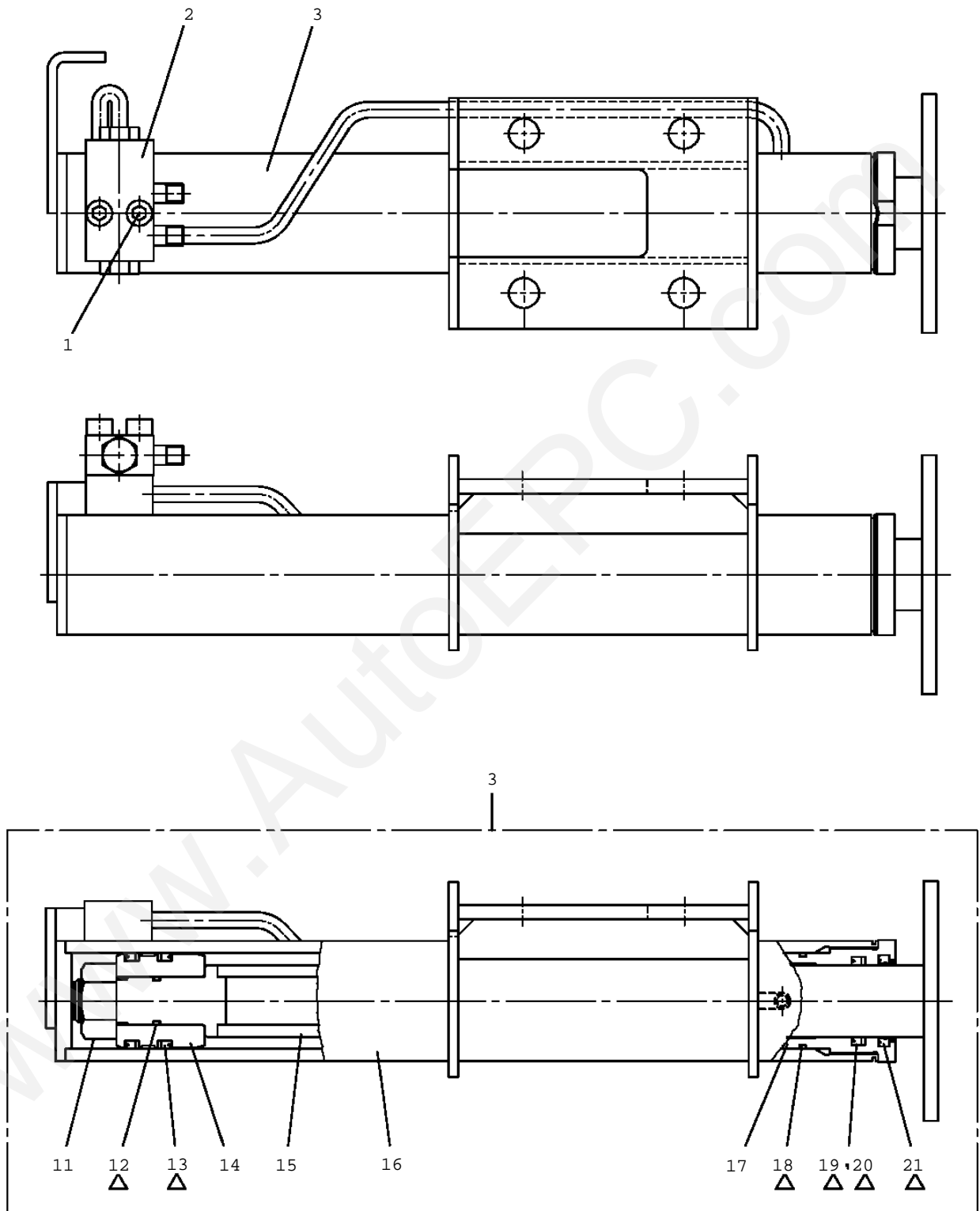
**TM-ZF360 41102210021A FRAME/SL,MANUAL**

Pos No.	Parts No	Parts Name	Qty	Unit	Technical Data
2	(***** )	PIPING,OUTRIGGER (WITH POWER SUPPLY)	1		
3	(***** )	ELEC.ASSY (OUTRIGGER,REAR)	1		
4	(***** )	PLATE ASSY,NAME (OUTRIGGER,REAR)	1		
11	(***** )	OUTRIGGER (REAR)	1		
12	(***** )	CYLINDER,JACK (REAR OUTRIGGER)	2		
13	(***** )	PIPING,REAR JACK (2,ROTARY)	1		

www.AutoEPC.com



TM-ZF360 41102210021A FRAME/SL, MANUAL  
 PC1030137-01 CYLINDER, JACK (REAR OUTRIGGER)



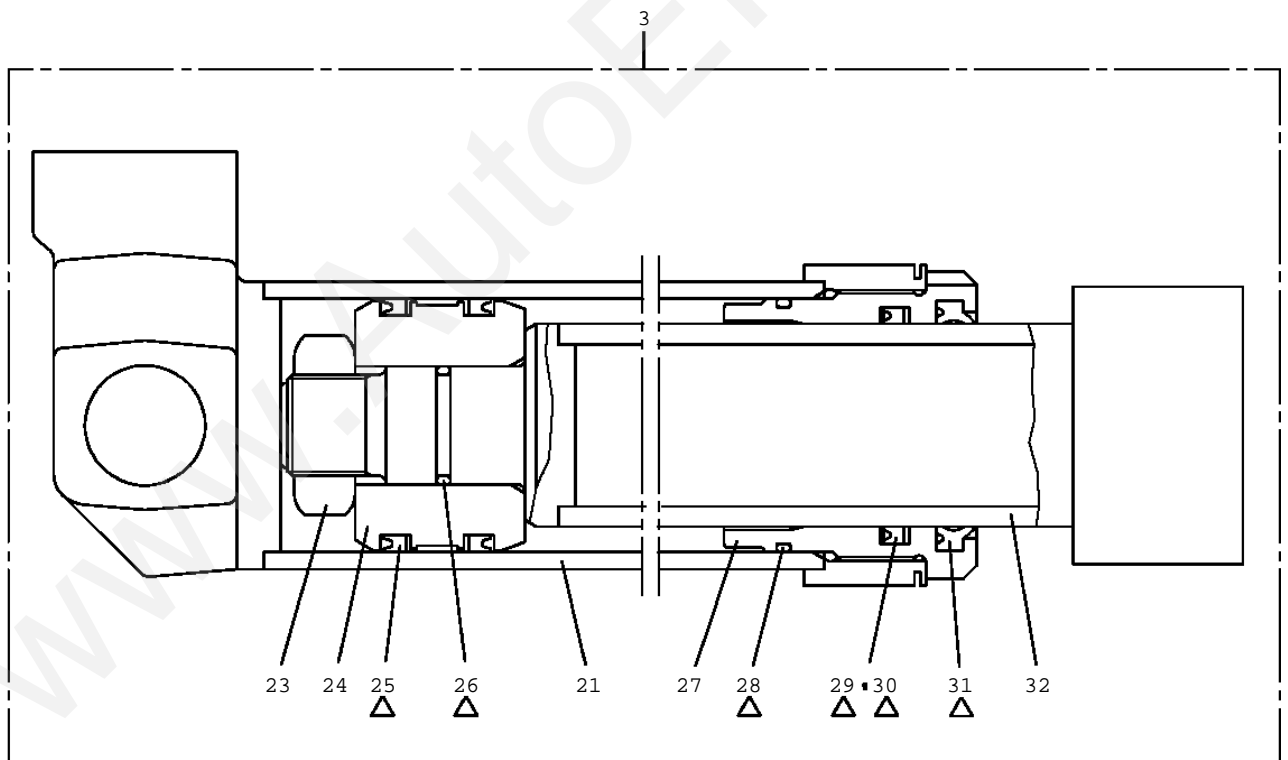
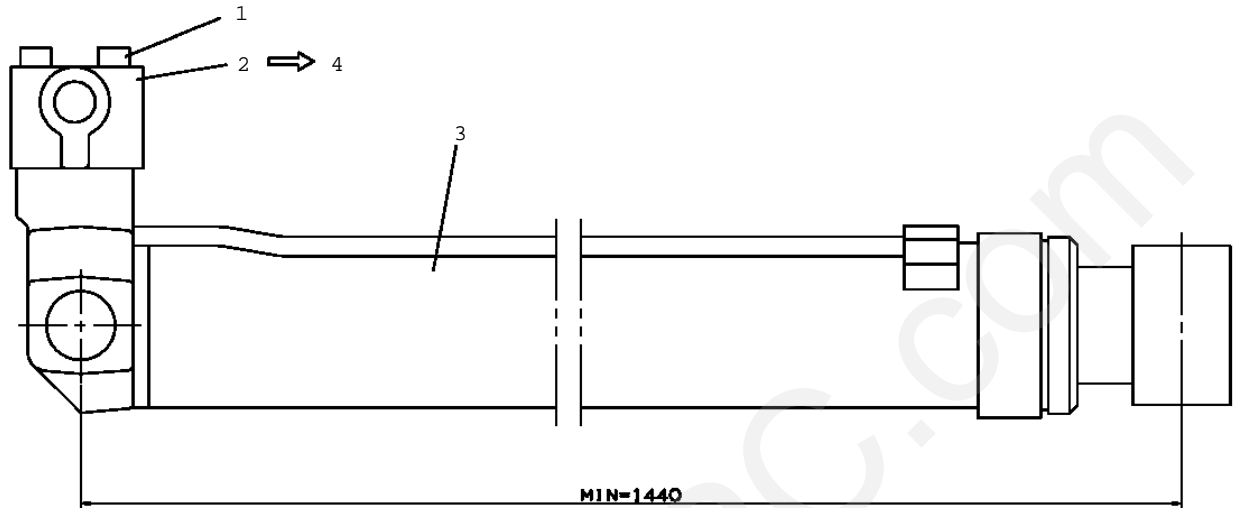
△:PACKING SET KEY NO.30 (KEY NO.12,13,18,19,20,21)

**TM-ZF360 41102210021A FRAME/SL,MANUAL**

Pos No.	Parts No	Parts Name	Qty	Unit	Technical Data	Serial N
1	90172110035	BOLT,HEXAGON SOCKET	2		M10X35	
2	36620140000	VALVE,PILOT CHECK	1			
3	36033160000	CYLINDER,JACK	1			
11	37001601420	NUT	1		M27X2	
12	91002902500	O-RING	1		1B G25	
13	91350206000	BEARING,PLAIN (WITH PACKINGX2)	1			
14	36013823000	PISTON	1			
15	36033162000	ROD	1			
16	36033161000	CYLINDER	1			
17	36013823200	COVER,ROD	1			
18	91002905500	O-RING	1		1B G55	
19	91694004500	PACKING	1			
20	91410204502	RING,BACKUP	1			
21	91660004501	SEAL,DUST	1			
30	36033169910	PACKING SET	1		45X60	

www.AutoEPC.com

TM-ZF360 41102210021A FRAME/SL, MANUAL  
PC1030214-03 CYLINDER, JACK (MIN=1440)



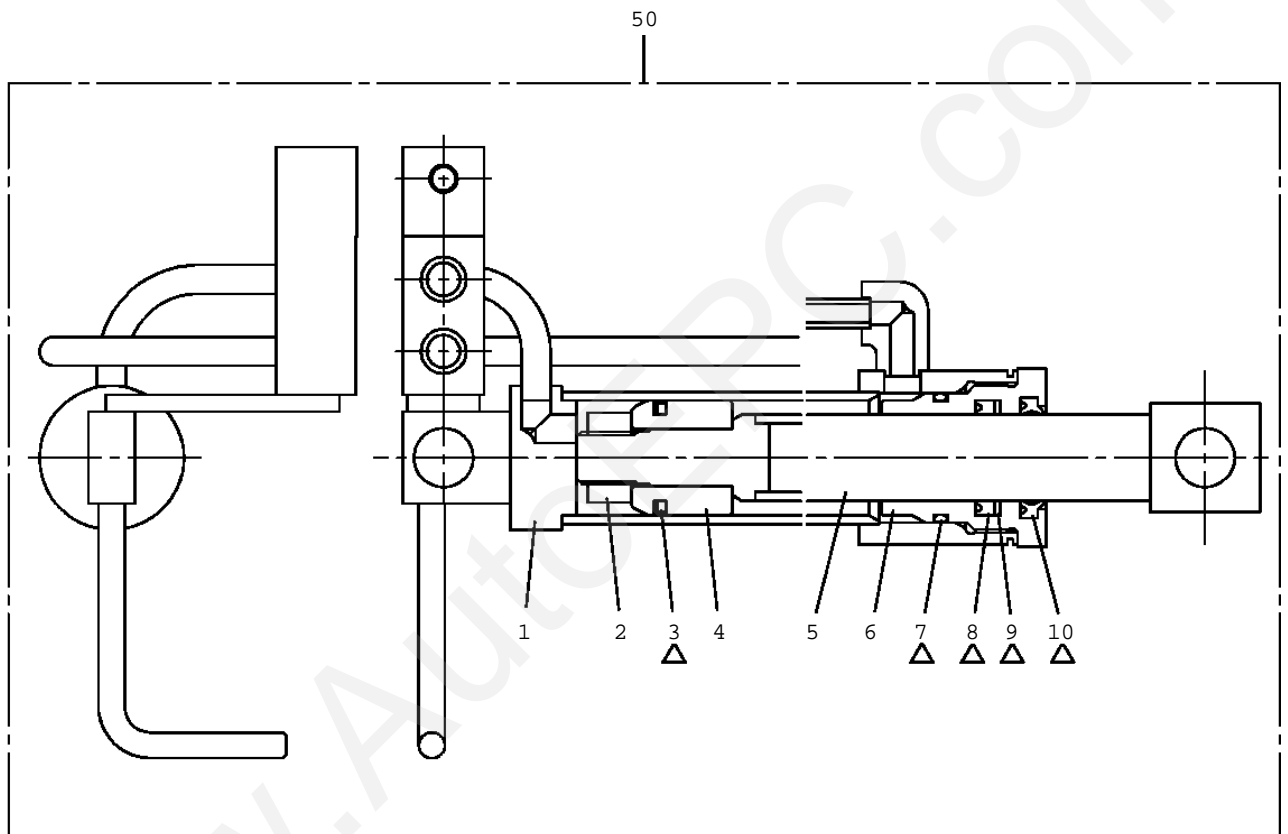
△:PACKING SET KEY NO. 40 (KEY NO.25,26,28,29,30,31)

**TM-ZF360 41102210021A FRAME/SL,MANUAL**

Pos No.	Parts No	Parts Name	Qty	Unit	Technical Data	Serial N
1	90172110065	BOLT,HEXAGON SOCKET	4		M10X65	
3	36034070000	CYLINDER,JACK	1			
4	36624690000	VALVE,PILOT CHECK	1			
21	36034071000	CYLINDER	1			
23	90211203000	NUT	1		M30X3/2	
24	36032110300	PISTON	1			
25	91350207500	BEARING,PLAIN (WITH PACKINGX2)	1			
26	91002903000	O-RING	1		1B G30	
27	36033523000	COVER,ROD	1			
28	91002907000	O-RING	1		1B G70	
29	91694006000	PACKING	1			
30	91410206002	RING,BACKUP	1			
31	91660006001	SEAL,DUST	1			
32	36034072000	ROD	1			
40	36034079900	PACKING SET	1		60X75	

www.AutoEPC.com

TM-ZF360 41102210021A FRAME/SL, MANUAL  
PC1050119-01 CYLINDER, EXTENSION (WELDED STRUCTURE)



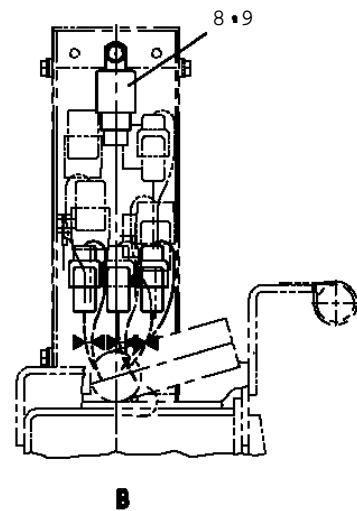
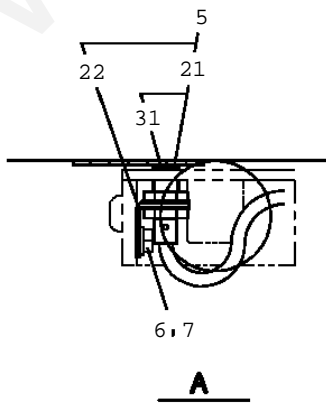
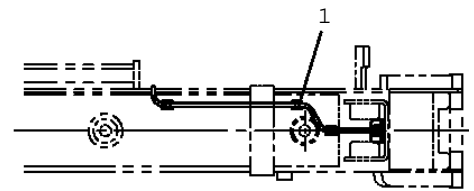
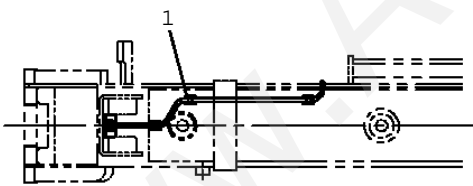
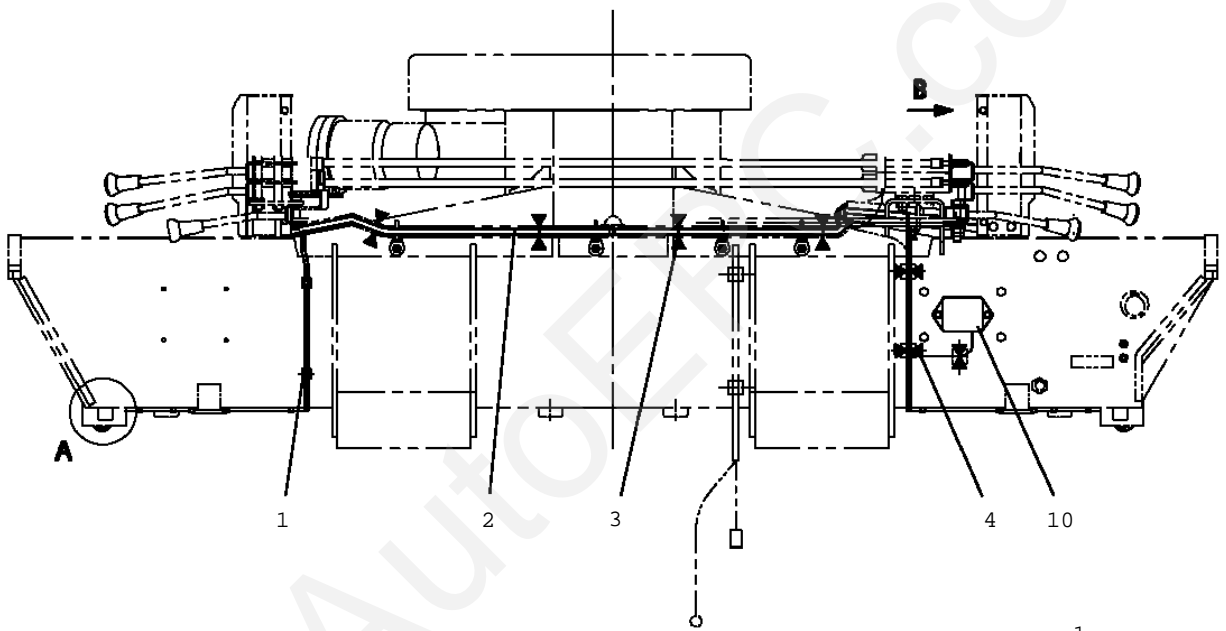
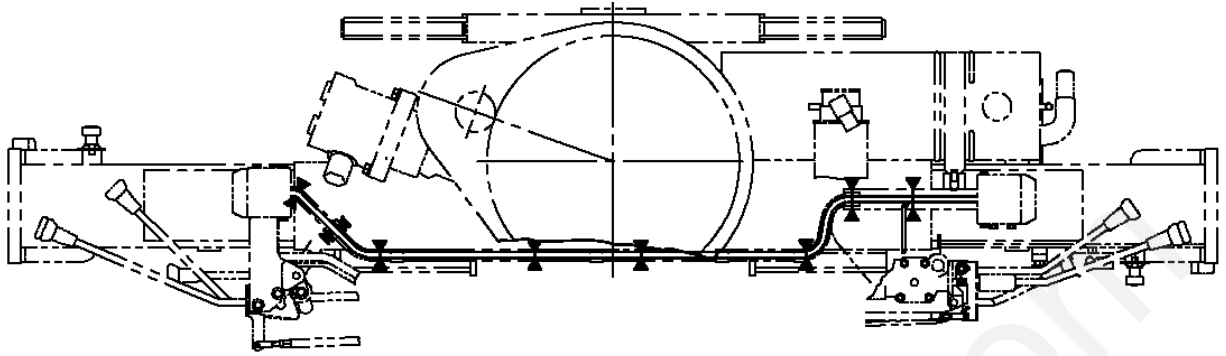
Δ:PACKING SET KEY NO.30 (KEY NO.3,7,8,9,10)

**TM-ZF360 41102210021A FRAME/SL,MANUAL**

Pos No.	Parts No	Parts Name	Qty	Unit	Technical Data	S
1	36041971000	CYLINDER	1			
2	90201201800	NUT	1		M18	
3	91100104000	SEAL,RING	1			
4	36041070400	PISTON	1			
5	36041972000	ROD	1			
6	36041541000	COVER,ROD	1			
7	91002803900	O-RING	1		1B P39	
8	91694003000	PACKING	1			
9	91411203001	RING,BACKUP	1			
10	91660003001	SEAL,DUST	1			
30	36041699900	PACKING SET	1		30X40	
50	36041970000	CYLINDER,EXTENSION (WELDED STRUCTURE)	1			

www.AutoEPC.com

TM-ZF360 41102210021A FRAME/SL, MANUAL  
PC1190020-00 INDICATOR, OUTRIGGER



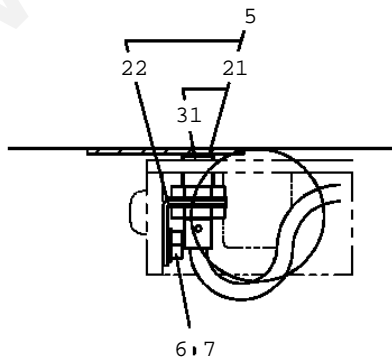
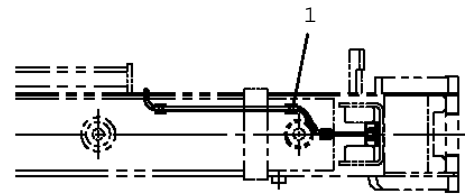
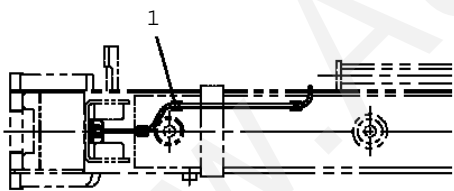
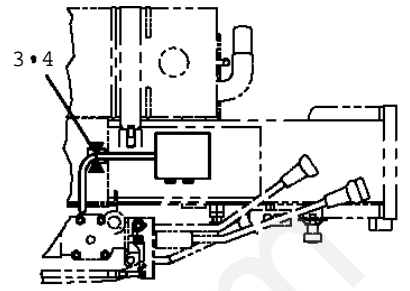
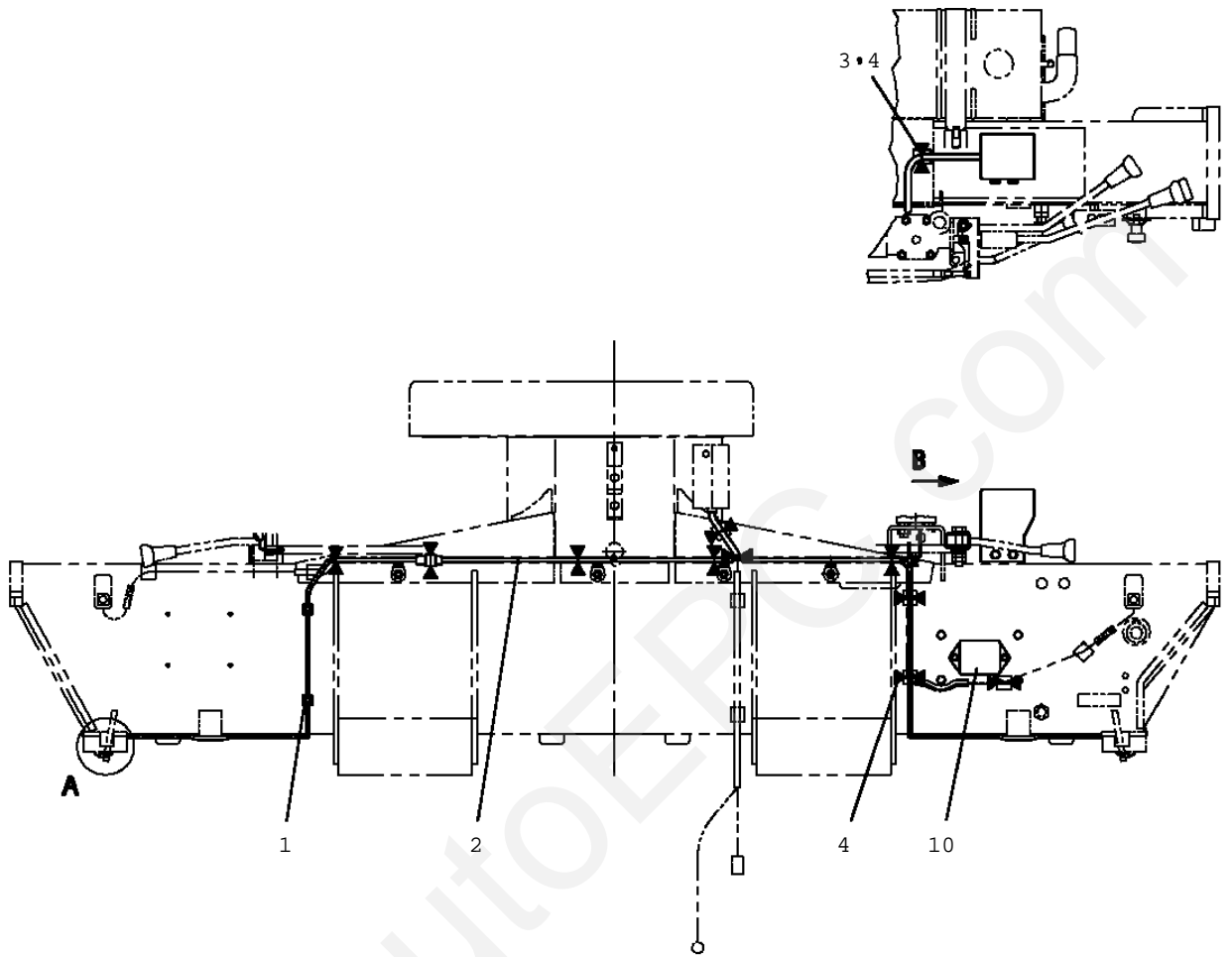
**TM-ZF360 41102210021A FRAME/SL,MANUAL**

Pos No.	Parts No	Parts Name	Qty	Unit	Technical Data	Serial No (Start)	Serial
1	82401600506	CLAMP	8				
2	31360204100	HARNESS	1				
3	91810130250	FASTENER	8				
4	91810130240	FASTENER	8				
5	31360204300	SWITCH ASSY	2				
6	90101206008	BOLT	4		M6X8		
7	90302040601	WASHER,SPRING	4		6		
8	82100002596	RELAY	1				
9	80192486010	SCREW,MACHINE	1		M6X10		
10	31360204200	BUZZER ASSY	1				
21	31360204400	SWITCH ASSY	2				
22	31360204310	SUPPORT	2				
31	82108101100	SWITCH	2				

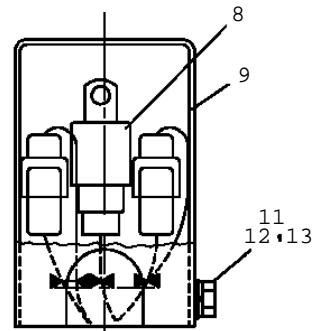
www.AutoEPC.com



TM-ZF360 41102210021A FRAME/SL, MANUAL  
PC1190021-00 INDICATOR, OUTRIGGER



**A**



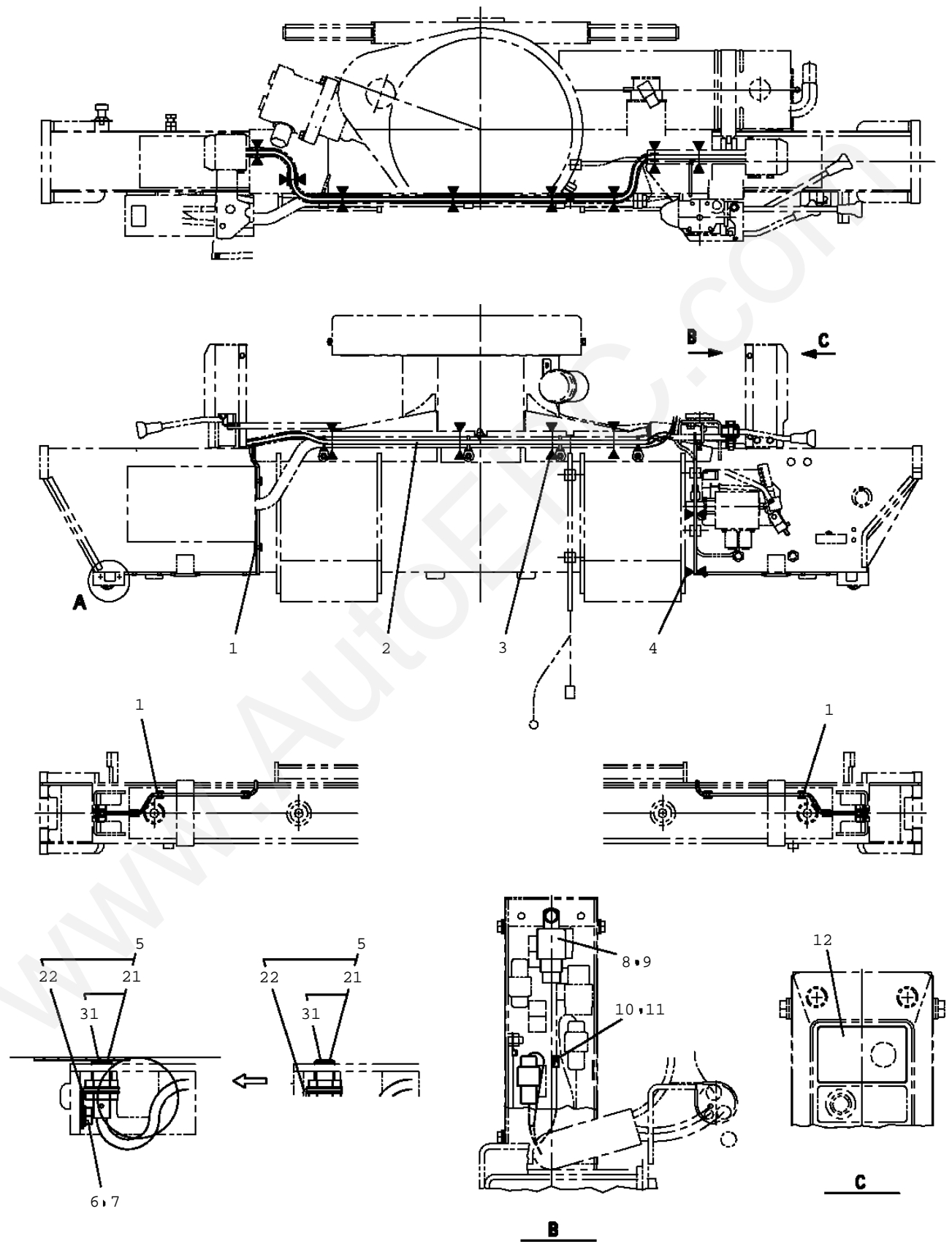
**B**

**TM-ZF360 41102210021A FRAME/SL,MANUAL**

Pos No.	Parts No	Parts Name	Qty	Unit	Technical Data	Serial No (Start)	Serial
1	82401600506	CLAMP	8				
2	31360214100	HARNESS	1				
3	82401601002	CLAMP	1				
4	91810130240	FASTENER	16				
5	31360204300	SWITCH ASSY	2				
6	90101206008	BOLT	4		M6X8		
7	90302040601	WASHER, SPRING	4		6		
8	82100002596	RELAY	1				
9	31652300100	COVER	1				
10	31360204200	BUZZER ASSY	1				
11	90101208014	BOLT	3		M8X14		
12	90302040801	WASHER, SPRING	3		8		
13	90303070801	WASHER, PLAIN	3		8		
21	31360204400	SWITCH ASSY	2				
22	31360204310	SUPPORT	2				
31	82108101100	SWITCH	2				

www.AutoEPC.com

TM-ZF360 41102210021A FRAME/SL, MANUAL  
PC1190022-00 INDICATOR, OUTRIGGER

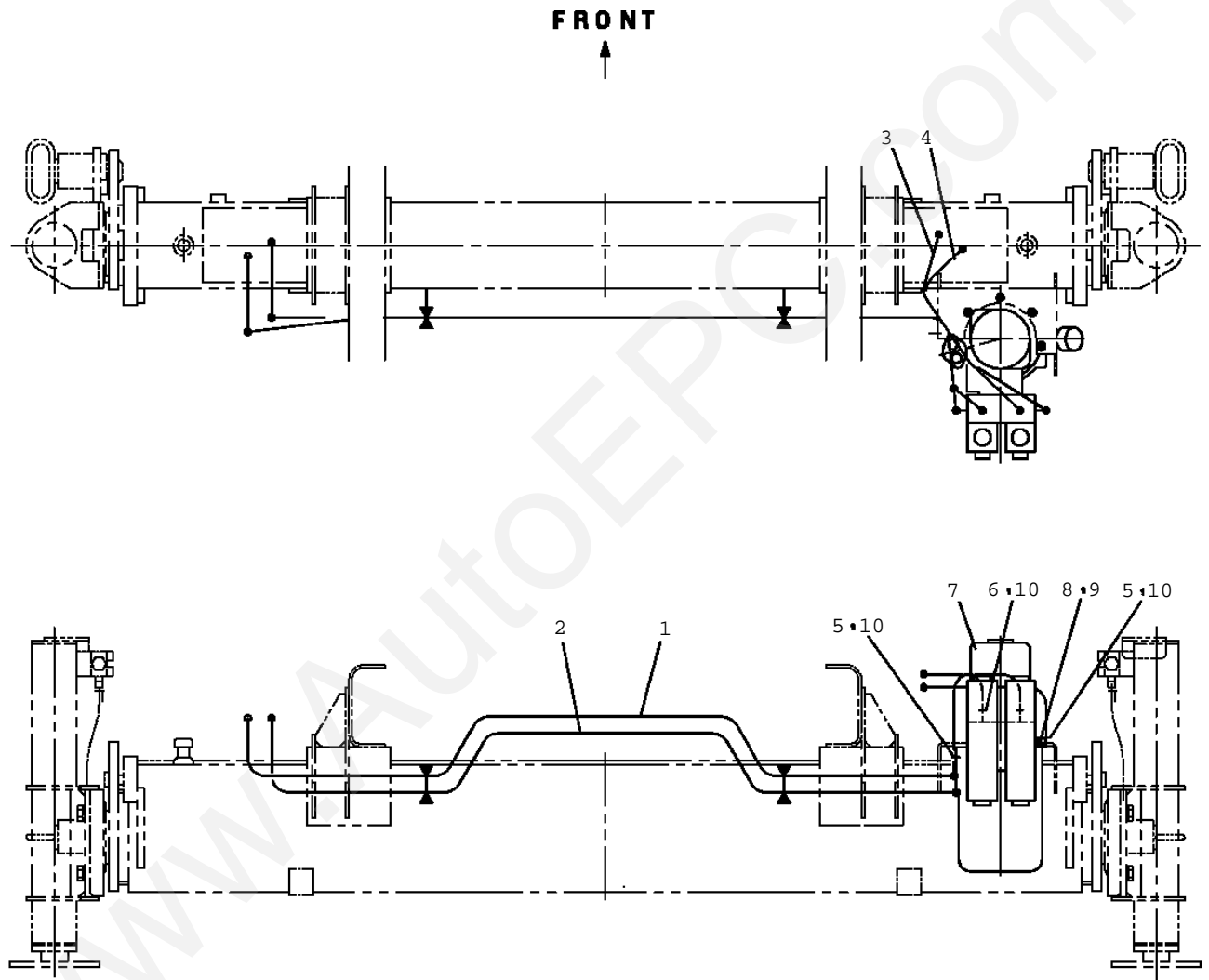


**TM-ZF360 41102210021A FRAME/SL,MANUAL**

Pos No.	Parts No	Parts Name	Qty	Unit	Technical Data	Serial No (Start)	Serial
1	82401600506	CLAMP	8				
2	31360224100	HARNESS	1				
3	91810130250	FASTENER	8				
4	91810130240	FASTENER	5				
5	31360204300	SWITCH ASSY	2				
6	90101206008	BOLT	4		M6X8		
7	90302040601	WASHER, SPRING	4		6		
8	82100002597	RELAY	1				
9	80192486010	SCREW, MACHINE	1		M6X10		
10	82100000191	TERMINAL	1				
11	82100000183	INSULATOR	1				
12	31360224200	PLATE, NAME	1				
21	31360204400	SWITCH ASSY	2				
22	31360204310	SUPPORT	2				
31	82108101100	SWITCH	2				

www.AutoEPC.com

TM-ZF360 41102210021A FRAME/SL, MANUAL  
PC1200272-00 PIPING, OUTRIGGER (WITH POWER SUPPLY)

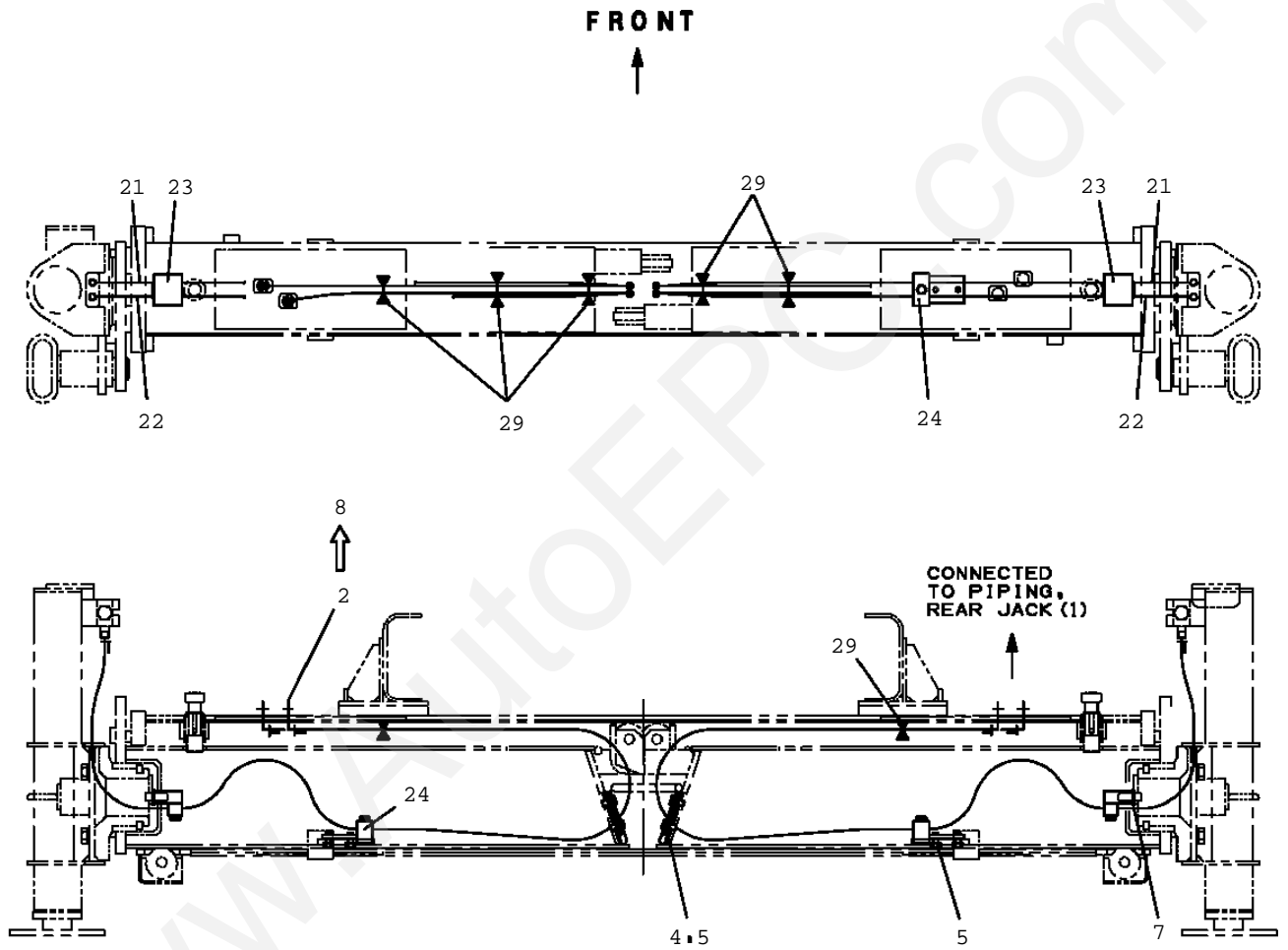


**TM-ZF360 41102210021A FRAME/SL,MANUAL**

Pos No.	Parts No	Parts Name	Qty	Unit	Technical Data	Serial No (Start)
1	31611613011	PIPE	1			
2	31611613021	PIPE	1			
3	31611613031	PIPE	1			
4	31611613041	PIPE	1			
5	80303210060	FITTING, ELBOW	2			
6	80302120060	FITTING	2		POA10PF1/4	
7	31611613101	POWER SUPPLY	1			
8	90172108014	BOLT, HEXAGON SOCKET	4		M8X14	
	90172108018	BOLT, HEXAGON SOCKET	4		M8X18	EE4904
9	90302040801	WASHER, SPRING	4		8	
10	91002801100	O-RING	4		1B P11	

www.AutoEPC.com

TM-ZF360 41102210021A FRAME/SL, MANUAL  
PC1230021-03 PIPING, REAR JACK (2, ROTARY)



**TM-ZF360 41102210021A FRAME/SL,MANUAL**

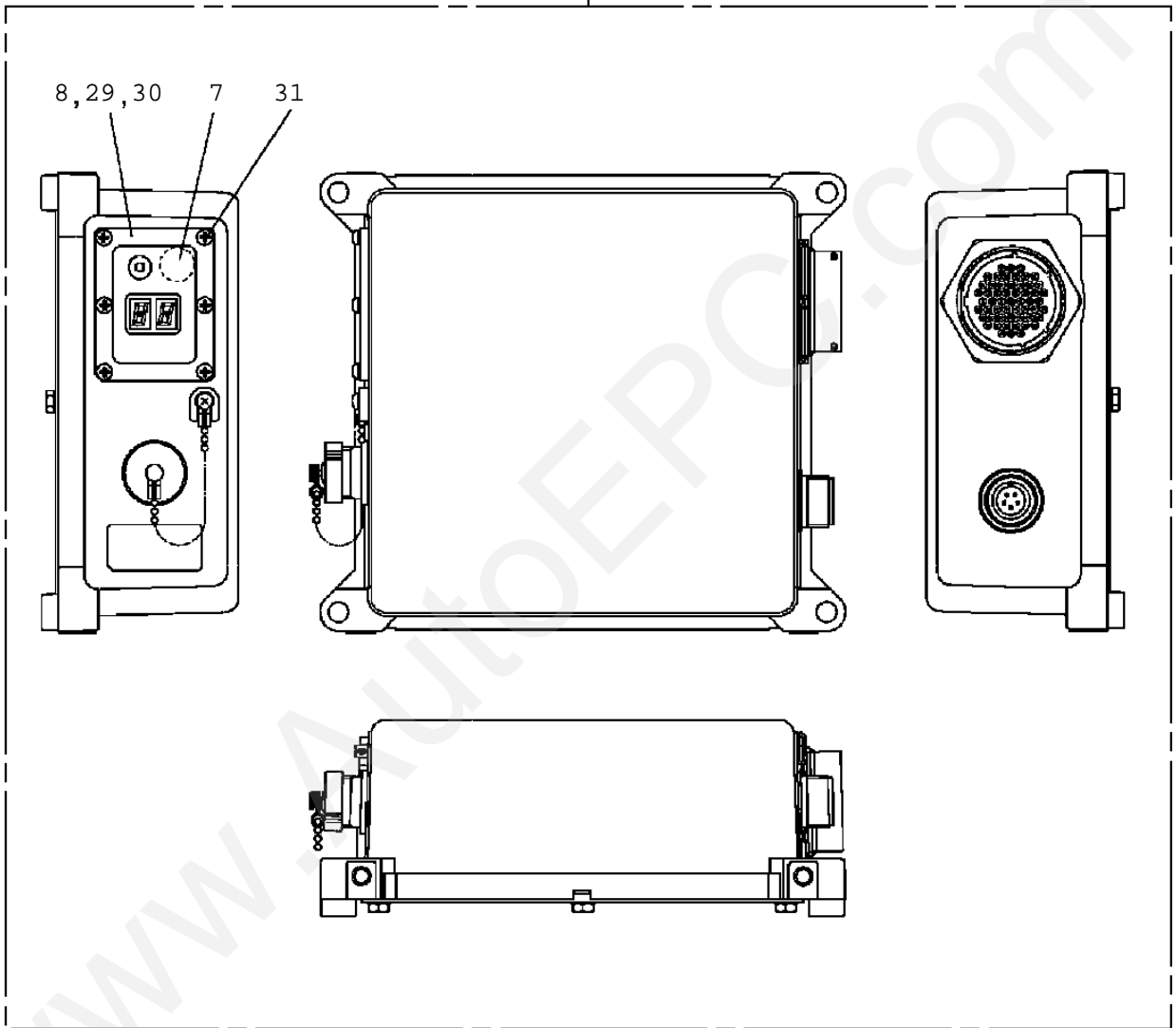
Pos No.	Parts No	Parts Name	Qty	Unit	Technical Data	Serial No (Start)	Serial :
4	31642730100	SUPPORT	2				
5	90186208014	BOLT, FLANGE	12		M8X14		
7	90303071201	WASHER, PLAIN	2		12		
8	37000924770	JOINT	4				
21	37002417360	HOSE	2		L=1800		
22	37002450860	HOSE	2		L=1760		
23	31642730300	CLAMP ASSY	2				
24	31642730200	CLAMP ASSY	2				
29	91810130240	FASTENER	6				

www.AutoEPC.com



TM-ZF360 41102210021A FRAME/SL, MANUAL  
PC5410006-03 CONTROL UNIT

900

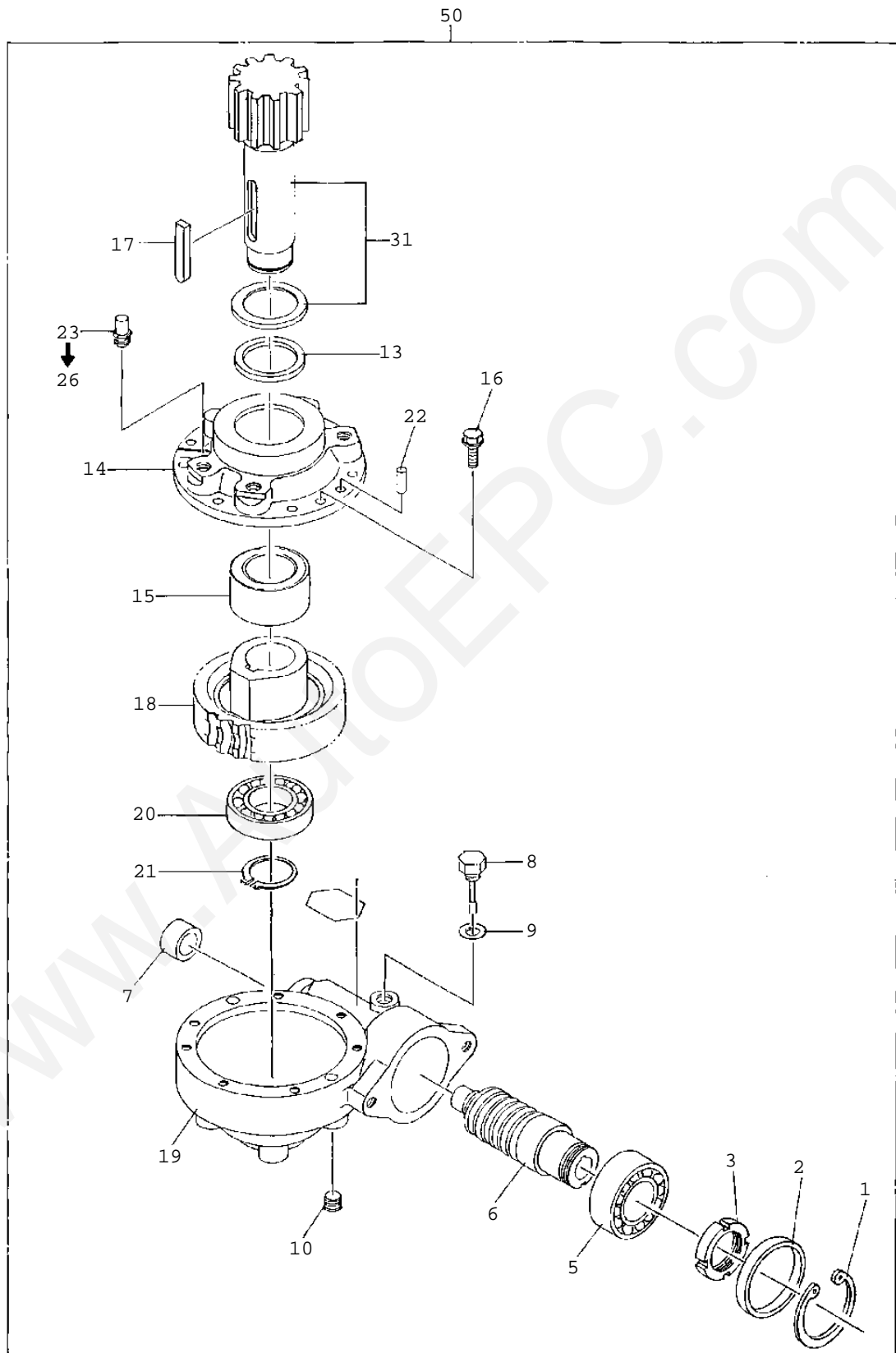


**TM-ZF360 41102210021A FRAME/SL,MANUAL**

Pos No.	Parts No	Parts Name	Qty	Unit	Technical Data	Serial No (Start)	Serial :
7	36804917060	STEM	1				
8	36804917640	PANEL	1				
29	36804917730	GASKET	1				
30	36804917740	FRAME	1				
31	36804917750	SCREW(3X8)	6				
900	36804911001	CONTROL UNIT	1				

www.AutoEPC.com

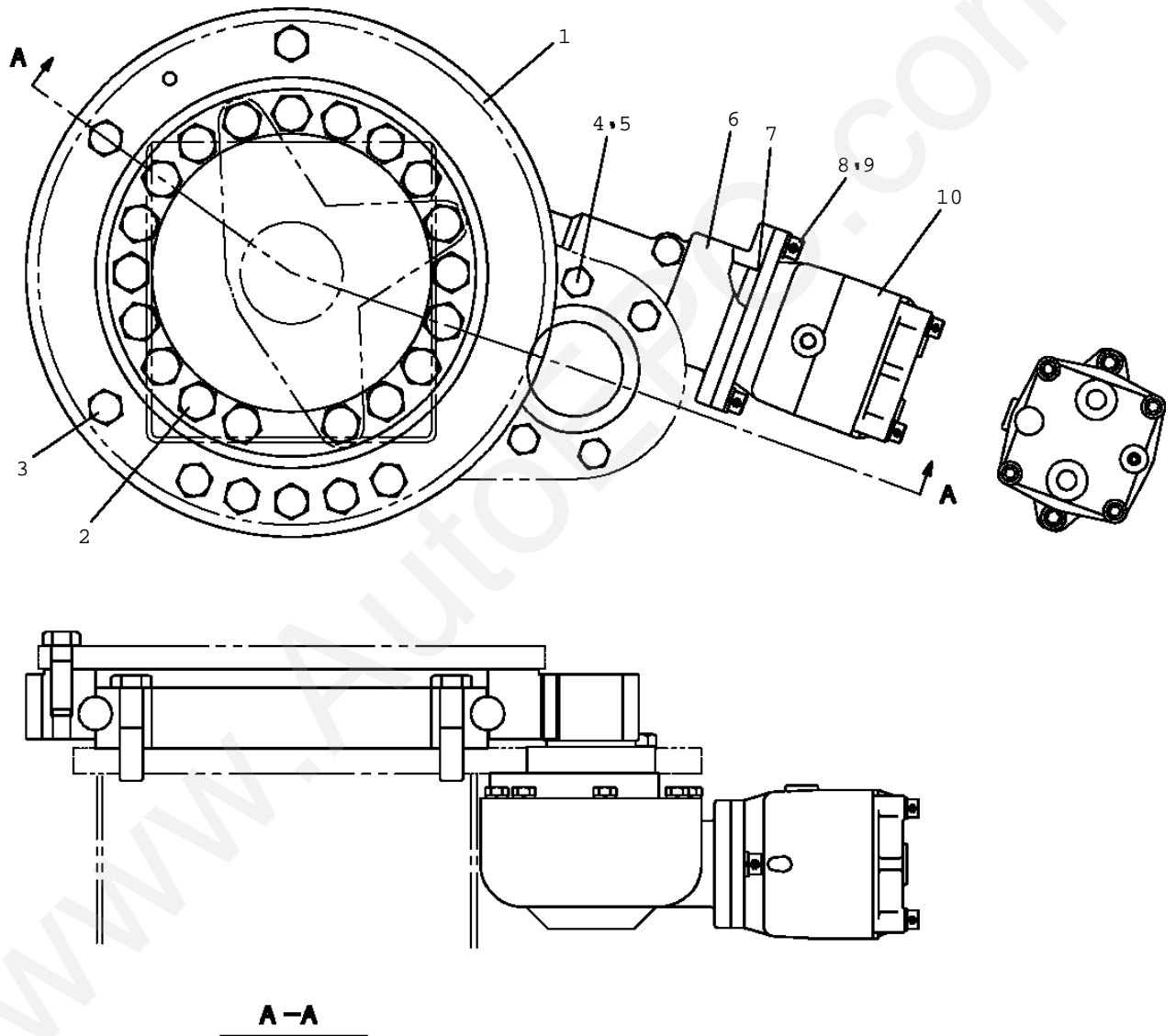
TM-ZF360 41102210021A FRAME/SL, MANUAL  
PD1010062-01 REDUCER, SWING SPEED



**TM-ZF360 41102210021A FRAME/SL, MANUAL**

Pos No.	Parts No	Parts Name	Qty	Unit	Technical Data	Serial No (Start
1	80602110850	RING, RITAINING	1		R85	
2	36080755010	SPACER	1			
3	80561100090	NUT	1		AN09	
5	80500005209	BEARING, BALL	1			
6	36080755020	WORM	1			
7	36080755030	BEARING, NEEDLE	1		BK3020+IR25*30*18	
8	36080755040	GAUGE, OIL	1			
9	36080235080	WASHER, SEAL	1		M16	
10	80316090060	PLUG	1		KKT PT3/8	
13	36080015091	SEAL, OIL	1			
14	36080755060	CASE, GEAR	1			
15	80520045010	BEARING, ROLLER	1			
16	36080505110	BOLT (WITH WASHER)	9		M10X30	
17	36080505080	KEY	1			
18	36080755070	WHEEL, WORM	1			
19	36080755080	CASE, GEAR	1			
20	80500006209	BEARING, BALL	1			
21	80601110450	RING, RITAINING	1		S45	
22	36080015000	PIN	2			
23	14123000400	BREATHER	1		PT1/8	
26	82400000478	BREATHER	1			EE4768
31	36080755100	GEAR, SPUR	1			
50	36080750000	REDUCER, SWING SPEED	1			

TM-ZF360 41102210021A FRAME/SL, MANUAL  
PD1010088-02 REDUCER, SWING SPEED (MOUNT)



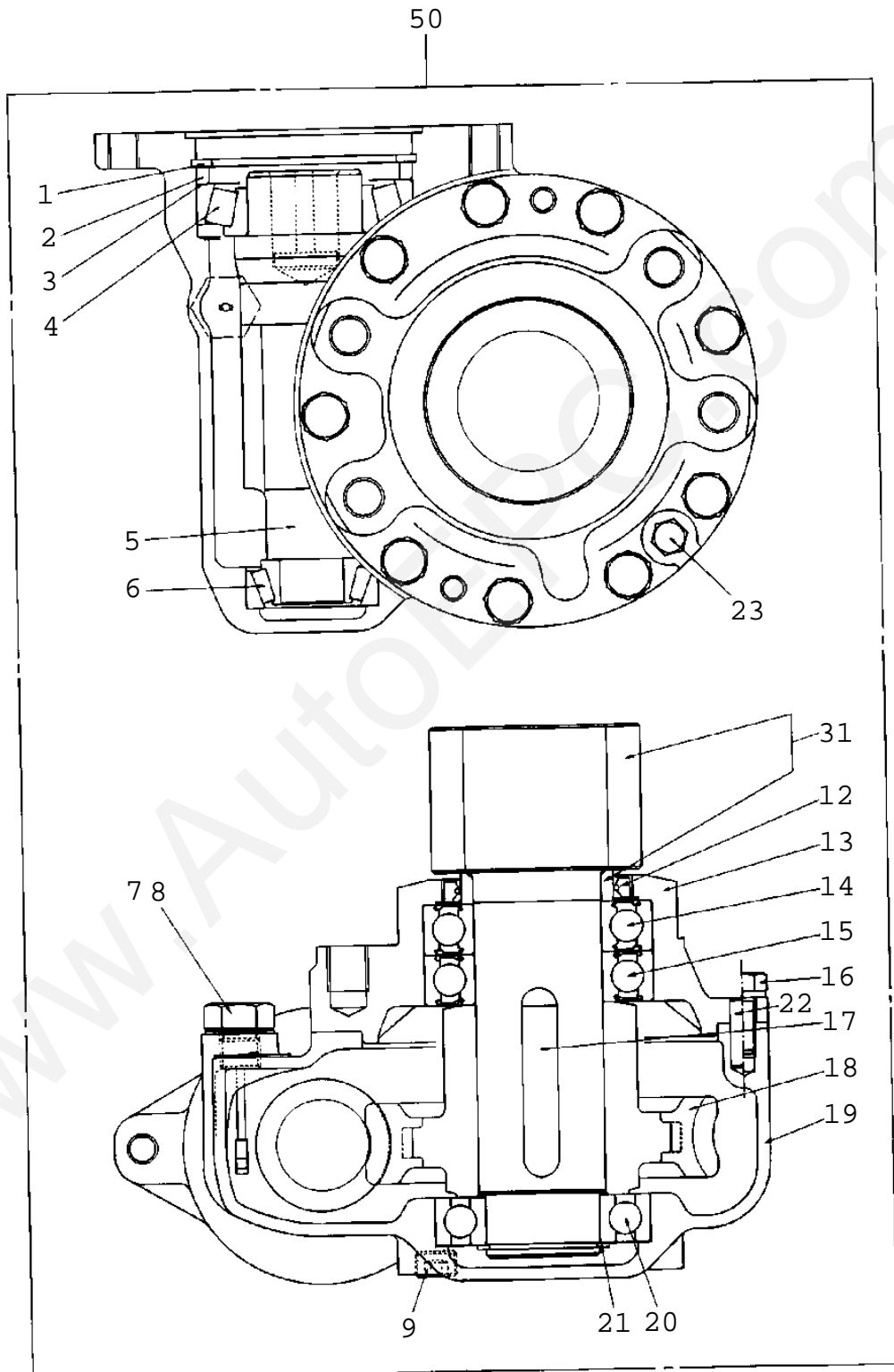
**TM-ZF360 41102210021A FRAME/SL,MANUAL**

Pos No.	Parts No	Parts Name	Qty	Unit	Technical Data	Serial N
1	37002302720	BEARING, SWING (NTN)	1			
	37002303220	BEARING, SWING (IZUMI)	1			
	37002303540	BEARING, SWING (NIHON MONORACE)	1			
	37002302740	BEARING, SWING (NACHI)	1			
2	31300070010	BOLT	19		M20X80	
3	37001500560	BOLT	10		M18X55	
4	90171116040	BOLT	4		M16X40	
5	90302041601	WASHER, SPRING	4		16	
6	36080750000	REDUCER, SWING SPEED	1			
	36081320000	REDUCER, SWING SPEED	1			EE7558
	36081610000	REDUCER, SWING SPEED	1			KA0732
7	91001208500	O-RING	1		1A G85	
8	90172112035	BOLT, HEXAGON SOCKET	2		M12X35	
9	90302041201	WASHER, SPRING	2		12	
10	36662420000	MOTOR, HYDRAULIC (SWING)	1			

www.AutoEPC.com

TM-ZF360 41102210021A FRAME/SL, MANUAL  
PD1010133-00 REDUCER, SWING SPEED

Assembly Name REDUCER, SWING SPEED

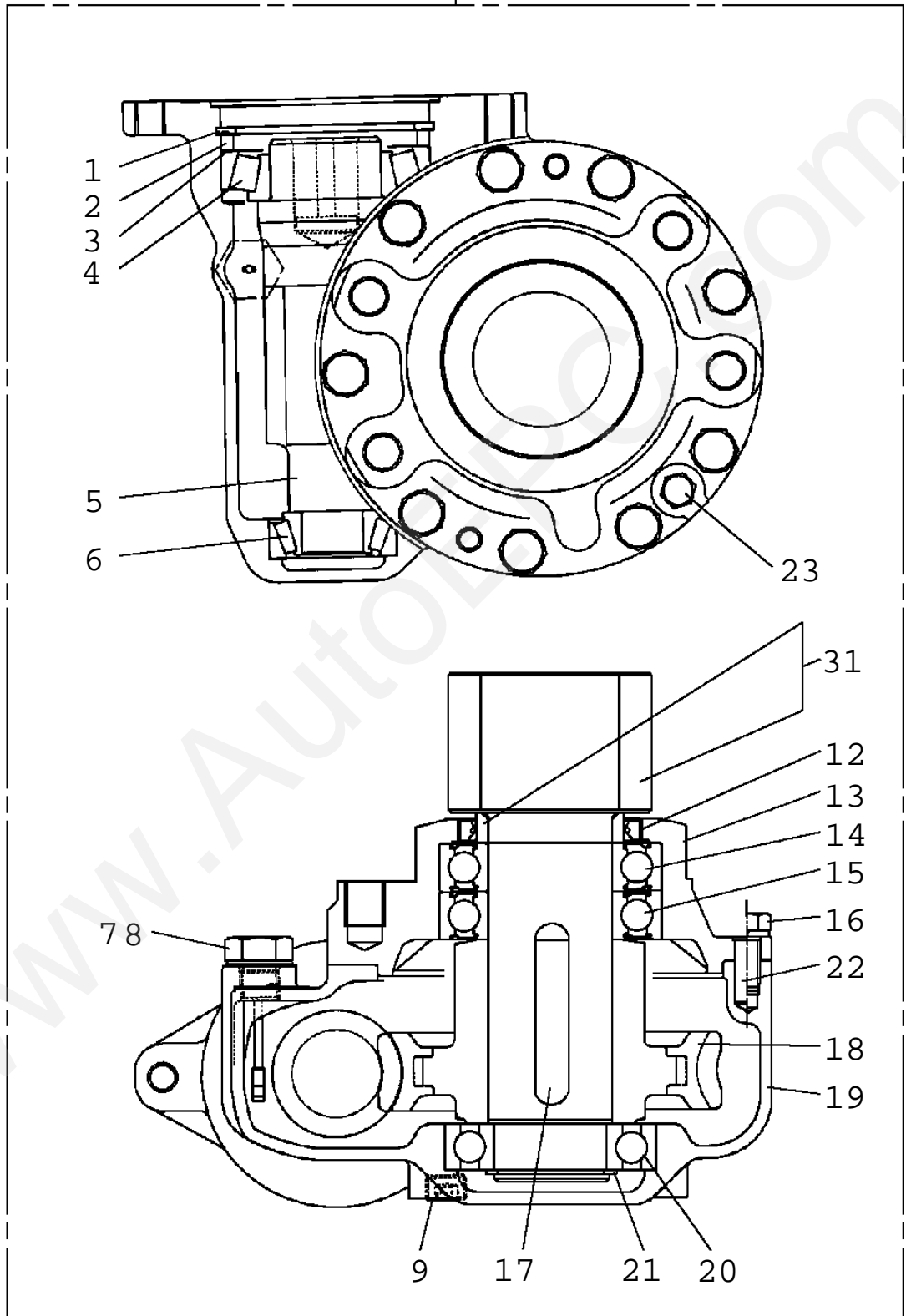


**TM-ZF360 41102210021A FRAME/SL,MANUAL**

Pos No.	Parts No	Parts Name	Qty	Unit	Technical Data
1	36081325090	RING,SNAP	1		
2	36081325010	SPACER	1		
3	36081325080	SHIM SET	1		
4	36081325110	BEARING,TAPER ROLLER	1		
5	36081325020	WORM	1		
6	36081325120	BEARING,TAPER ROLLER	1		
7	36080755040	GAUGE,OIL	1		
8	36080235080	WASHER,SEAL	1		M16
9	80316090060	PLUG	1		KKT PT3/8
12	91280431931	SEAL,OIL	1		
13	36081325050	CASE,GEAR	1		
14	36081325130	BEARING,BALL(METAL SHIELD TYPE 6210ZZC3)	1		
15	36081325140	BEARING,BALL (RUBBER SEAL TYPE 6210LLU)	1		
16	36080495050	BOLT,SEMS (M10X25,WITH WASHER)	9		
17	36080505080	KEY	1		
18	36081325060	WHEEL,WORM	1		
19	36081325070	CASE,GEAR	1		
20	80500006209	BEARING,BALL	1		
21	80601110450	RING,RITAINING	1		S45
22	36080015000	PIN	2		
23	82400000478	BREATHER	1		
31	36081325500	GEAR,SPUR	1		
50	36081320000	REDUCER,SWING SPEED	1		



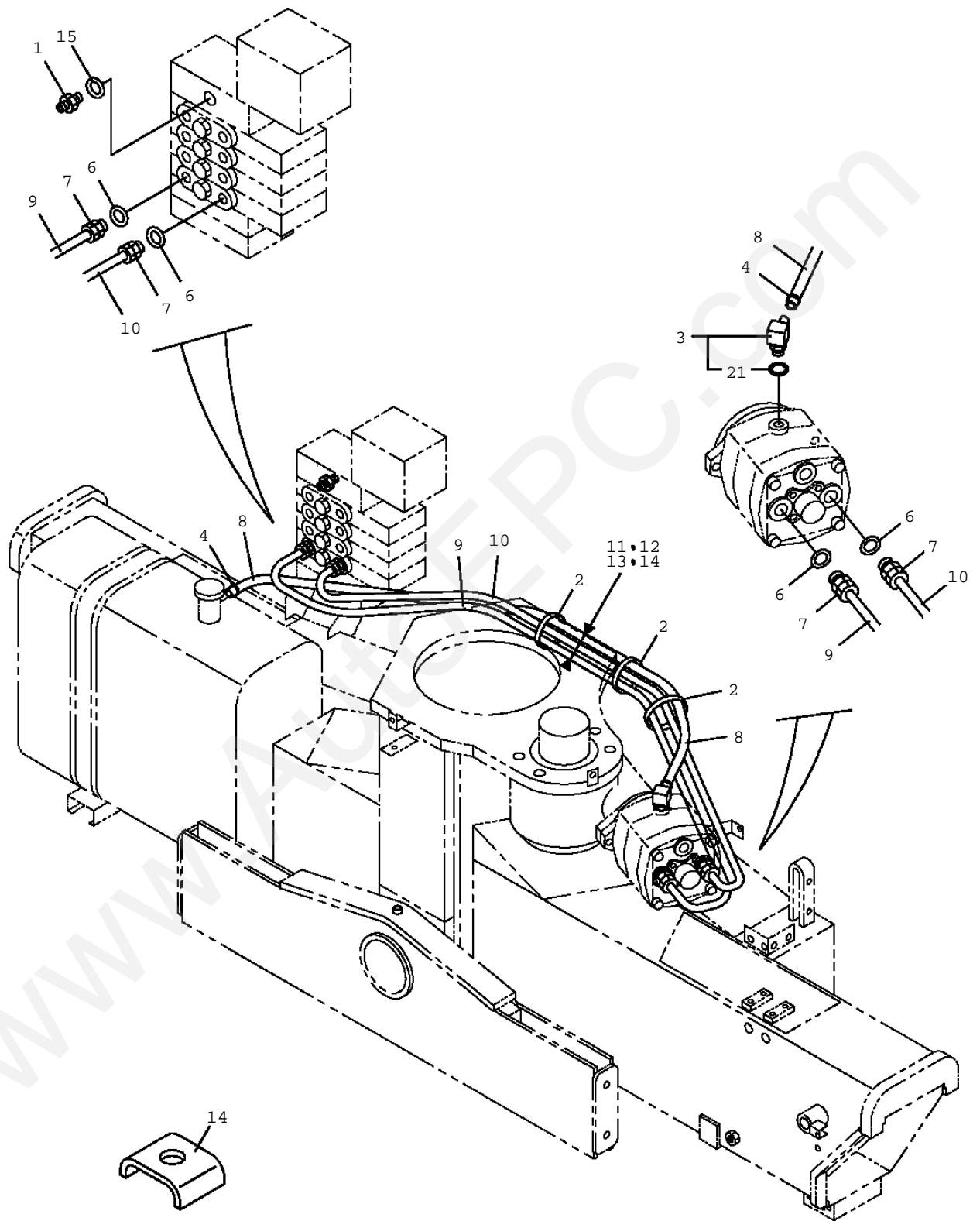
50



**TM-ZF360 41102210021A FRAME/SL,MANUAL**

Pos No.	Parts No	Parts Name	Qty	Unit	Technical Data
1	36081325090	RING,SNAP	1		
2	36081325010	SPACER	1		
3	36081325080	SHIM SET	1		
4	36081325110	BEARING,TAPER ROLLER	1		
5	36081325020	WORM	1		
6	36081325120	BEARING,TAPER ROLLER	1		
7	36080755040	GAUGE,OIL	1		
8	36080235080	WASHER,SEAL	1		M16
9	80316090060	PLUG	1		KKT PT3/8
12	91280431931	SEAL,OIL	1		
13	36081325050	CASE,GEAR	1		
14	36081325130	BEARING,BALL(METAL SHIELD TYPE 6210ZZC3)	1		
15	36081325140	BEARING,BALL (RUBBER SEAL TYPE 6210LLU)	1		
16	36080495050	BOLT,SEMS (M10X25,WITH WASHER)	9		
17	36080505080	KEY	1		
18	36081325060	WHEEL,WORM	1		
19	36081325070	CASE,GEAR	1		
20	80500006209	BEARING,BALL	1		
21	80601110450	RING,RITAINING	1		S45
22	36080015000	PIN	2		
23	82400000478	BREATHER	1		
31	36081615500	GEAR,SPUR	1		
50	36081610000	REDUCER,SWING SPEED	1		

TM-ZF360 41102210021A FRAME/SL, MANUAL  
PD1200090-01 PIPING, SWING

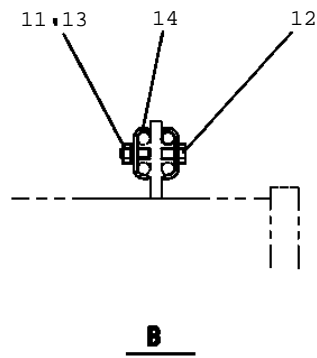
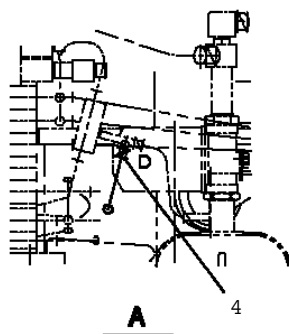
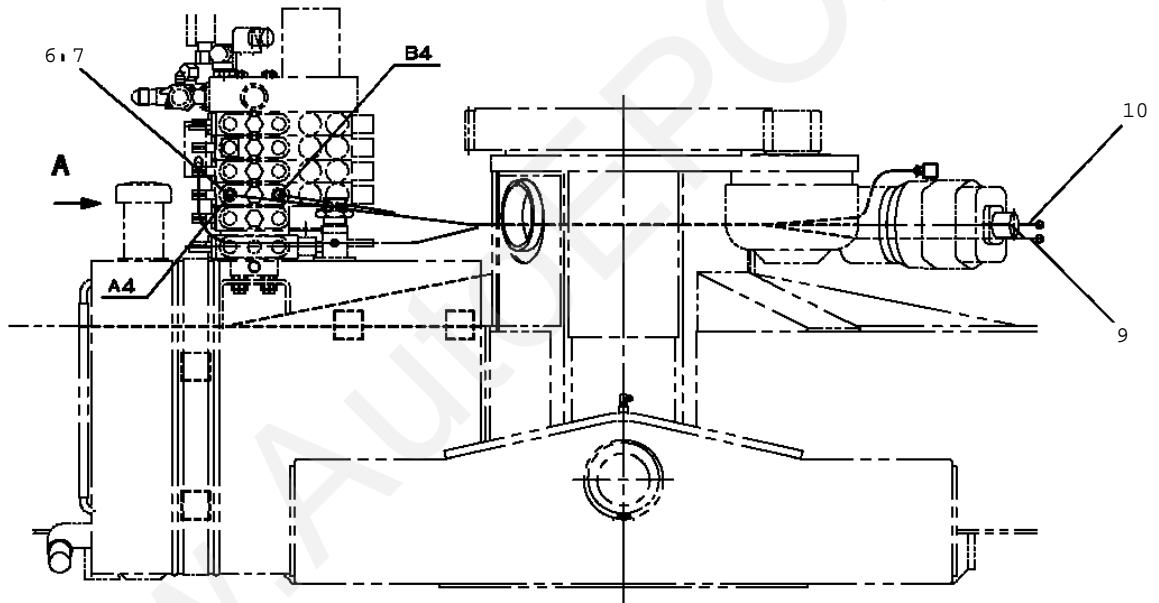
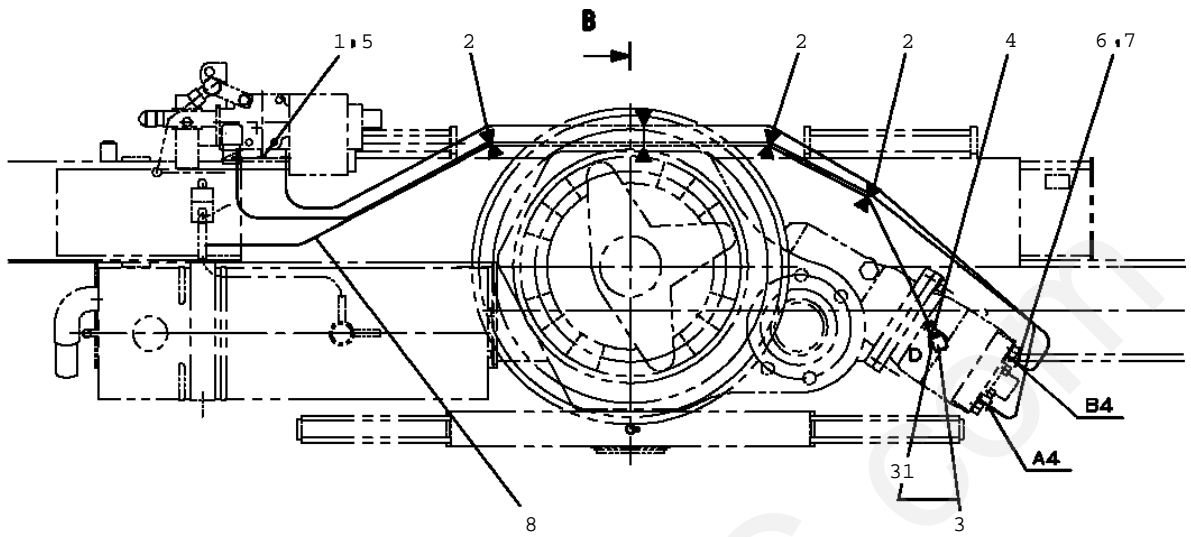


**TM-ZF360 41102210021A FRAME/SL,MANUAL**

Pos No.	Parts No	Parts Name	Qty	Unit	Technical Data	Serial No (Start)
1	80481004042	JOINT	1			
2	91810130240	FASTENER	3			
3	80400160190	JOINT (WITH O-RING)	1			
4	91803880070	CLIP	2		D=13.1-16.2	
6	91002801400	O-RING	4		1B P14	
7	80302120080	FITTING	4		POA10PF3/8	
8	37002504580	HOSE	1			
9	81408000100	PIPE,STEEL	2	M	10X1.2T	
10	81408000100	PIPE,STEEL	2	M	10X1.2T	
11	90201200800	NUT	1		M8	
12	90101208045	BOLT	1		M8X45	
13	90302040801	WASHER,SPRING	1		8	
14	37000602910	CLAMP	2			
15	91002801800	O-RING	1		1B P18	
21	91002801100	O-RING	1		1B P11	

www.AutoEPC.com

TM-ZF360 41102210021A FRAME/SL, MANUAL  
PD1200121-00 PIPING, SWING

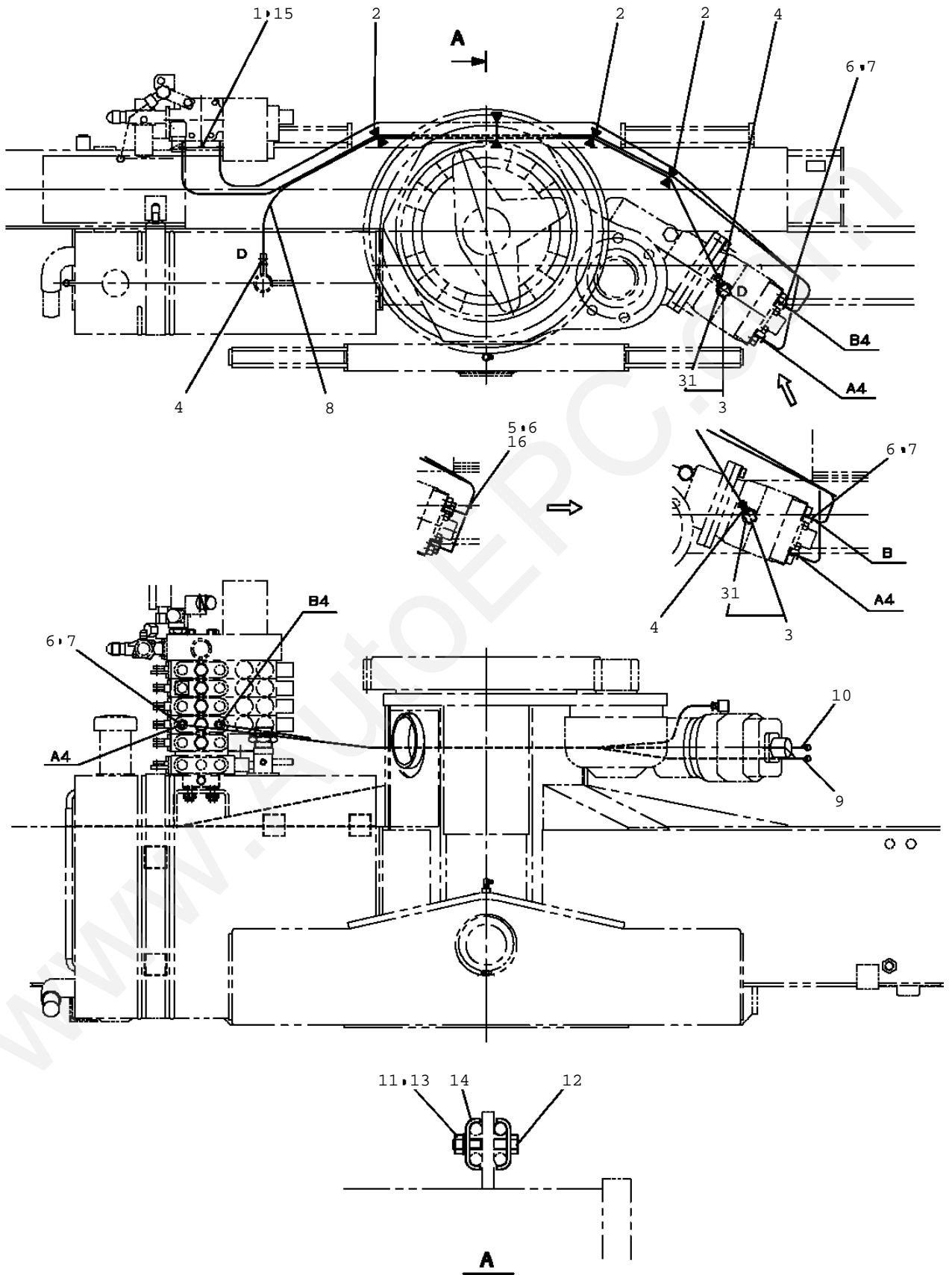


**TM-ZF360 41102210021A FRAME/SL,MANUAL**

Pos No.	Parts No	Parts Name	Qty	Unit	Technical Data	Serial No (Start)
1	80481004042	JOINT	1			
2	91810130240	FASTENER	3			
3	80400160190	JOINT (WITH O-RING)	1			
4	91803880070	CLIP	2		D=13.1-16.2	
5	91002801800	O-RING	1		1B P18	
6	91002801400	O-RING	6		1B P14	
7	80302120080	FITTING	4		POA10PF3/8	
8	37002500480	HOSE	1		L=1450	
9	81408000100	PIPE,STEEL	2	M	10X1.2T	
10	81408000100	PIPE,STEEL	2	M	10X1.2T	
11	90201200800	NUT	1		M8	
12	90101208045	BOLT	1		M8X45	
13	90302040801	WASHER,SPRING	1		8	
14	37000602910	CLAMP	2			
31	91002801100	O-RING	1		1B P11	

www.AutoEPC.com

TM-ZF360 41102210021A FRAME/SL, MANUAL  
PD1200127-00 PIPING, SWING



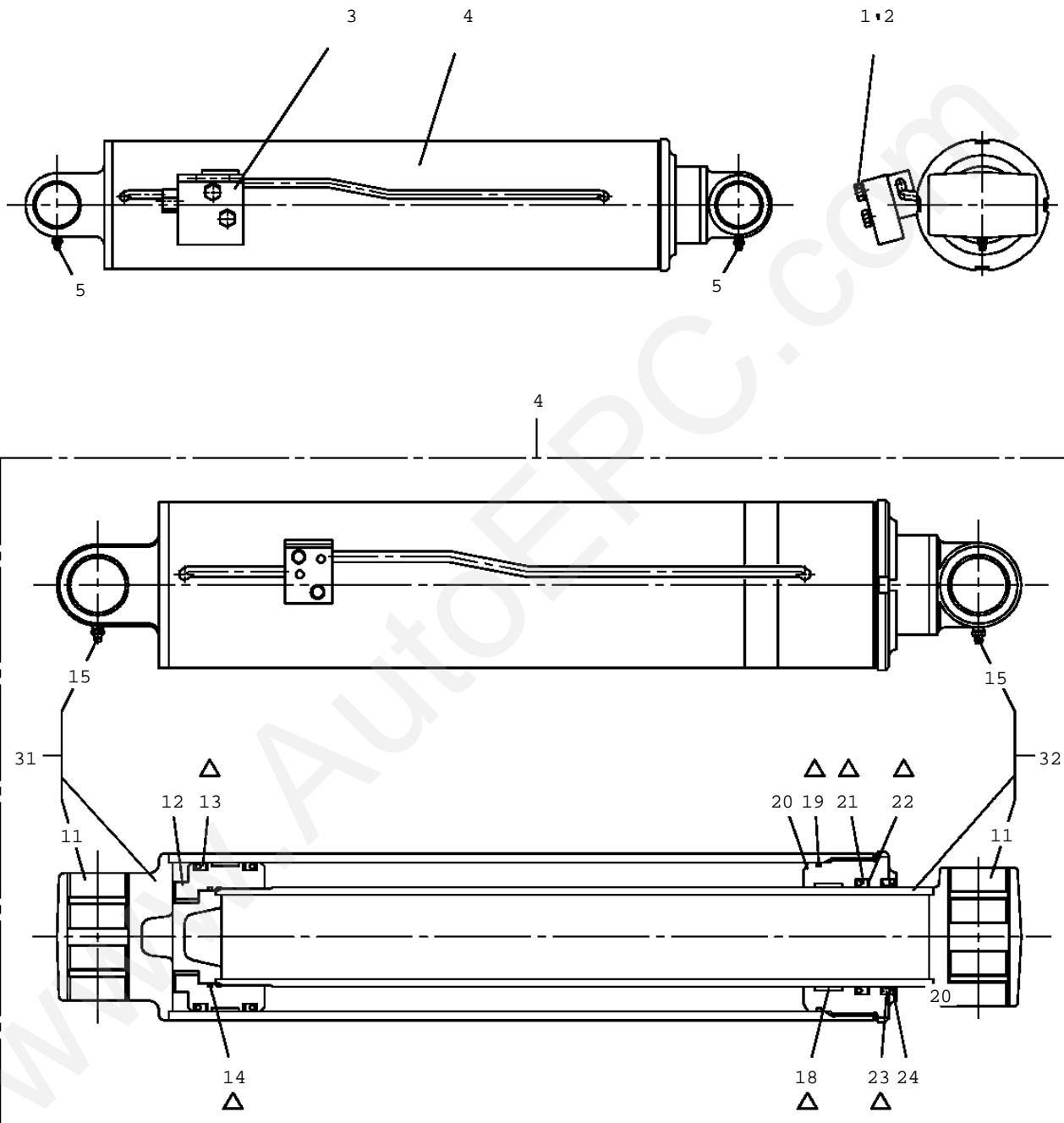
**TM-ZF360 41102210021A FRAME/SL,MANUAL**

Pos No.	Parts No	Parts Name	Qty	Unit	Technical Data	Serial No (Start)
1	80481004042	JOINT	1			
2	91810130240	FASTENER	3			
3	80400160190	JOINT (WITH O-RING)	1			
4	91803880070	CLIP	2		D=13.1-16.2	
6	91002801400	O-RING	6		1B P14	
7	80302120080	FITTING	4		POA10PF3/8	EE5764
8	37002504580	HOSE	1			
	37002510120	HOSE	1		L=1200	EE7558
9	81408000100	PIPE,STEEL	2	M	10X1.2T	
10	81408000100	PIPE,STEEL	2	M	10X1.2T	
11	90201200800	NUT	1		M8	
12	90101208045	BOLT	1		M8X45	
13	90302040801	WASHER,SPRING	1		8	
14	37000602910	CLAMP	2			
15	91002801800	O-RING	1		1B P18	
31	91002801100	O-RING	1		1B P11	

www.AutoEPC.com



TM-ZF360 41102210021A FRAME/SL, MANUAL  
 PE1010183-02 CYLINDER, ELEVATING



Δ:PACKING SET KEY NO. 40 (KEY NO.13,14,18,19,21,22,23)

**TM-ZF360 41102210021A FRAME/SL,MANUAL**

Pos No.	Parts No	Parts Name	Qty	Unit	Technical Data	Serial
1	90171110045	BOLT	2		M10X45	
	90171110040	BOLT	2		M10X40	EE6272
2	90302041001	WASHER, SPRING	2		10	
3	36604060000	VALVE, COUNTERBALANCE (ELEVATING)	1			
4	36023760000	CYLINDER, ELEVATING	1			
5	82400000459	CAP	2			
11	37000402780	BEARING, PLAIN (NDC)	4			
12	36023765300	PISTON	1			
13	91350213500	BEARING, PLAIN (WITH PACKINGX2)	1			
14	91002908500	O-RING	1		1B G85	
15	82456101000	NIPPLE, GREASE	2		A-PT1/8	
18	91301109000	BEARING, PLAIN	1			
19	91002913000	O-RING	1		1B G130	
20	36023765400	COVER, ROD	1			
21	91694009000	PACKING	1			
22	91410209000	RING, BACKUP	1			
23	91660009000	SEAL, DUST	1			
24	80622000900	RING, RITAINING	1		SP90	
31	36023765010	CYLINDER ASSY	1			
32	36023765020	ROD ASSY	1			
40	36023769910	PACKING SET	1		90X135	

www.AutoEPC.com

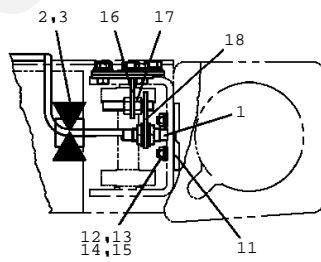
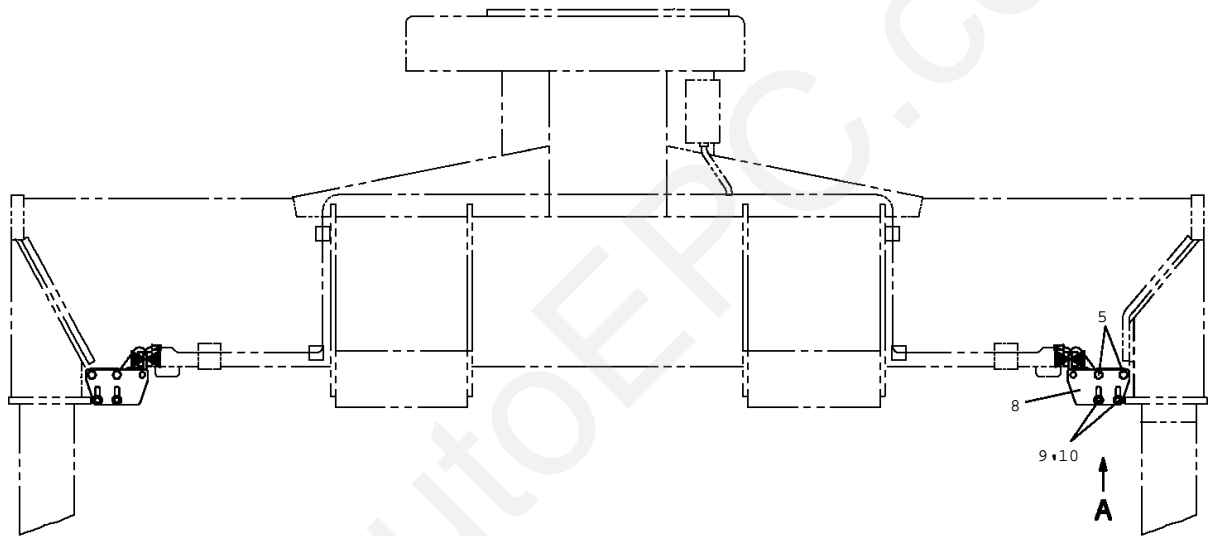
指示番号 KEY NO.	ハイセンASSY (アウトリカ <sup>*</sup> カクノウワスレツイカハ <sup>*</sup> ーツ, オンセイツキ) ELEC.ASSY
1	ハイセンASSY (クレーンフ <sup>*</sup> /スイッチ) ELEC.ASSY (CRANE/SWITCH)
2	ハイセンASSY (クレーンフ <sup>*</sup> /ハーネス) ELEC.ASSY (CRANE/HARNESS)
3	ハイセンASSY (カソウシャリヨウフ <sup>*</sup> ) ELEC.ASSY (CARRIER)
5	プレートASSY, ネーム PLATE ASSY, NAME

**TM-ZF360 41102210021A FRAME/SL,MANUAL**

Pos No.	Parts No	Parts Name	Qty	Unit	Technical Data	Serial No (
1	(***** )	ELEC.ASSY (CRANE/SWITCH)	1			
2	(***** )	ELEC.ASSY (CRANE/HARNESS)	1			
3	(***** )	ELEC.ASSY (CARRIER)	1			
5	(***** )	PLATE ASSY,NAME	1			

www.AutoEPC.com

TM-ZF360 41102210021A FRAME/SL,MANUAL  
PE5020095-00 ELEC.ASSY (CRANE/SWITCH)



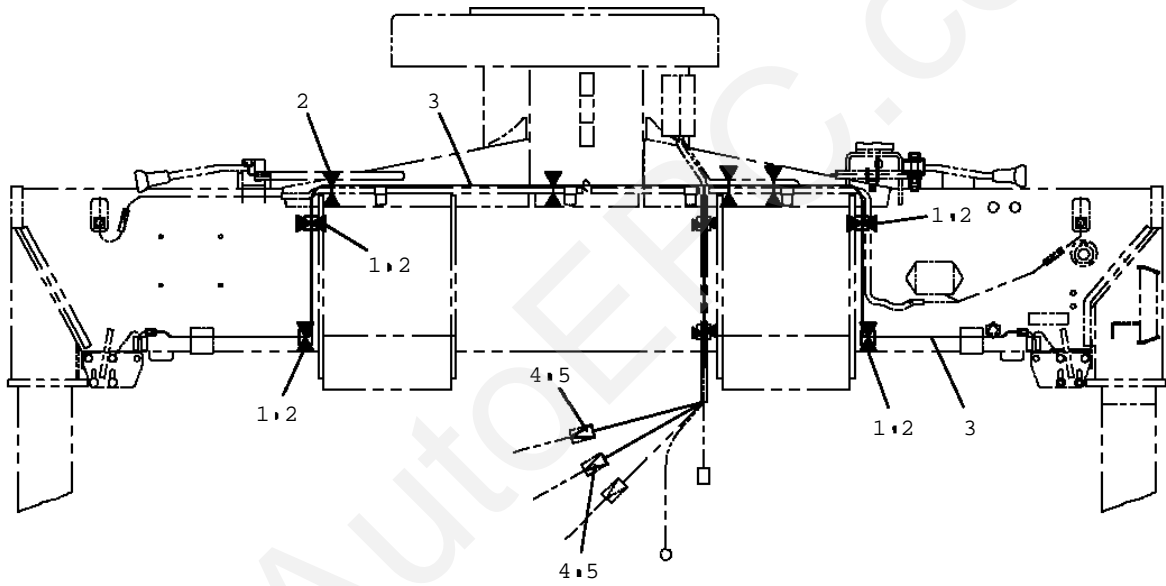
**A**

**TM-ZF360 41102210021A FRAME/SL,MANUAL**

Pos No.	Parts No	Parts Name	Qty	Unit	Technical Data	Serial No (Start)	Serial
1	82108501070	SWITCH	2				
2	91850310405	CLAMP (BLACK)	4				
3	91810130240	FASTENER	4				
5	90186208016	BOLT, FLANGE	4		M8X16		
8	31475381200	SUPPORT	2				
9	90186206016	BOLT, FLANGE	4		M6X16		
10	37000526010	PLATE	4				
11	31475351800	PLATE	2				
12	80185306020	SCREW, MACHINE	4				
13	90302040601	WASHER, SPRING	4		6		
14	90303070601	WASHER, PLAIN	4		6		
15	90201200600	NUT	4		M6		
16	31475351200	SUPPORT	2				
17	90201200800	NUT	4		M8		
18	31475351400	SUPPORT	2				

www.AutoEPC.com

TM-ZF360 41102210021A FRAME/SL, MANUAL  
PE5020096-00 ELEC.ASSY (CRANE/HARNESS)

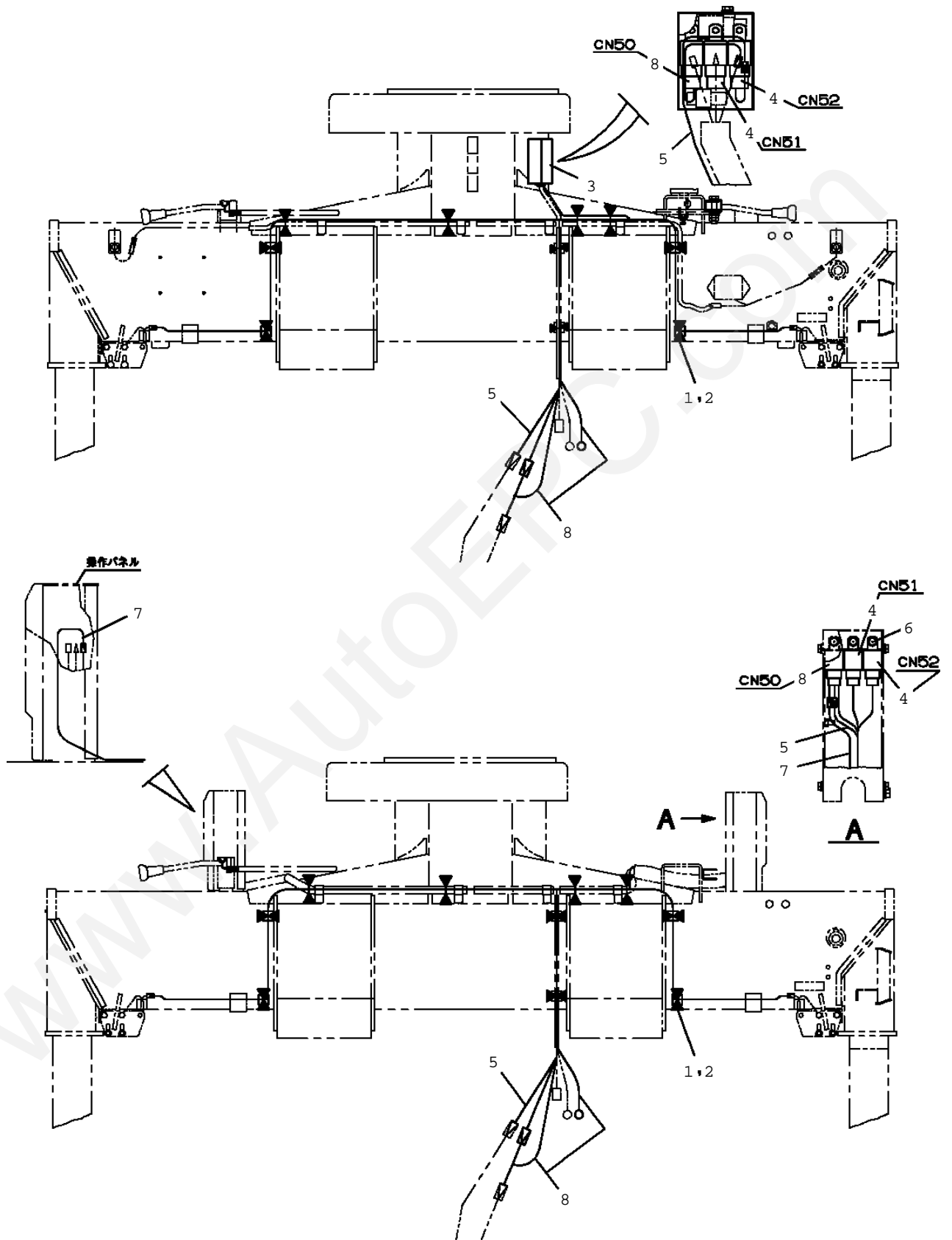


**TM-ZF360 41102210021A FRAME/SL,MANUAL**

Pos No.	Parts No	Parts Name	Qty	Unit	Technical Data	Serial No (Start)	Serial
1	91850310405	CLAMP (BLACK)	4				
2	91810130240	FASTENER	10				
3	31476361100	HARNESS (RED)	2		L=2000		
4	82100000192	TERMINAL	2				
5	82100000182	INSULATOR	2				

www.AutoEPC.com



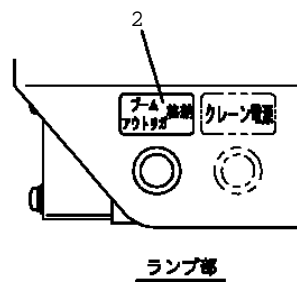
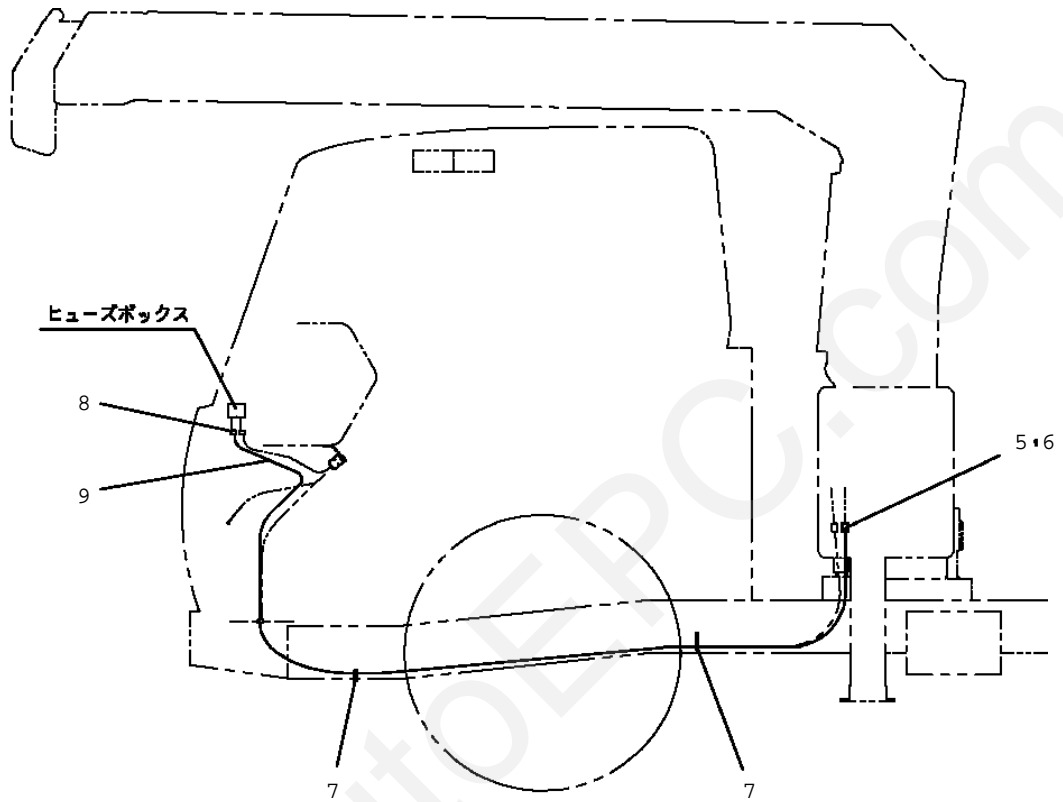


操作パネルがある場合 (フックイン, 及びラジコン仕様)

**TM-ZF360 41102210021A FRAME/SL,MANUAL**

Pos No.	Parts No	Parts Name	Qty	Unit	Technical Data	Serial No (St
1	82401601002	CLAMP	4			
2	91810130240	FASTENER	10			
3	31360201600	COVER	1			
4	82100002596	RELAY	2			
5	31475371100	HARNESS	1			
6	80192486010	SCREW,MACHINE	3		M6X10	
7	31473460300	HARNESS (RED)	1		L=1600	
8	31380291200	RELAY ASSY (WITH HARNESS)	1			

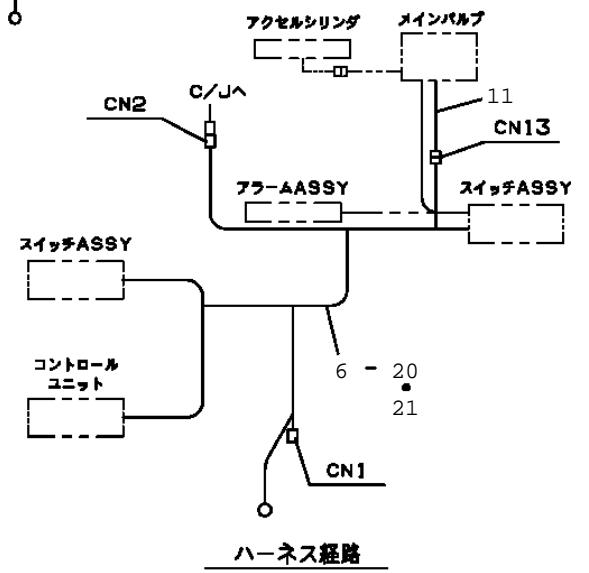
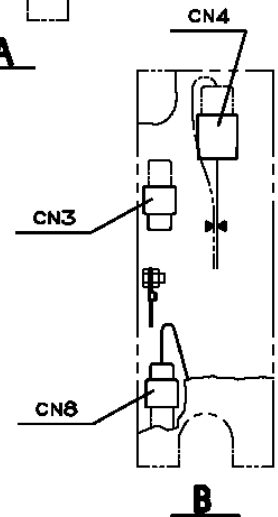
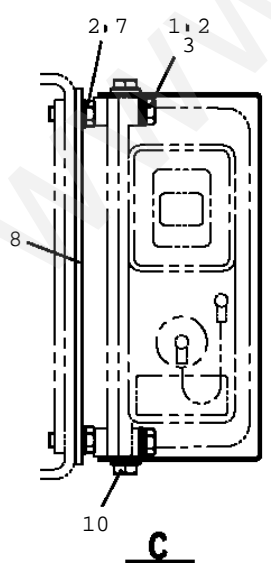
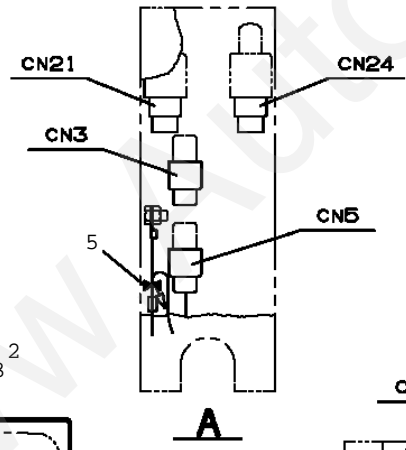
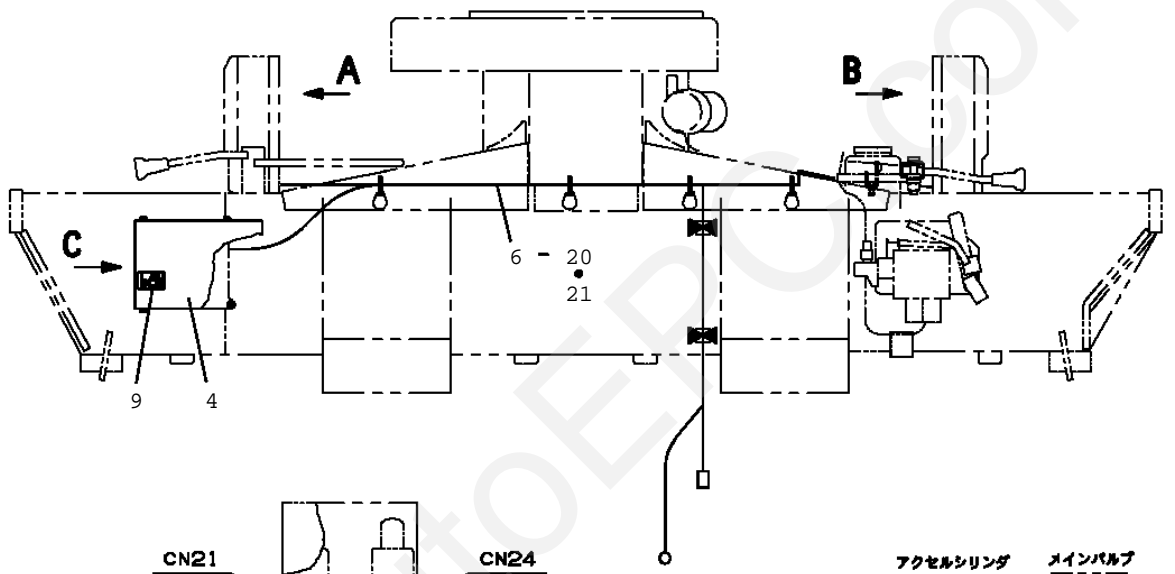
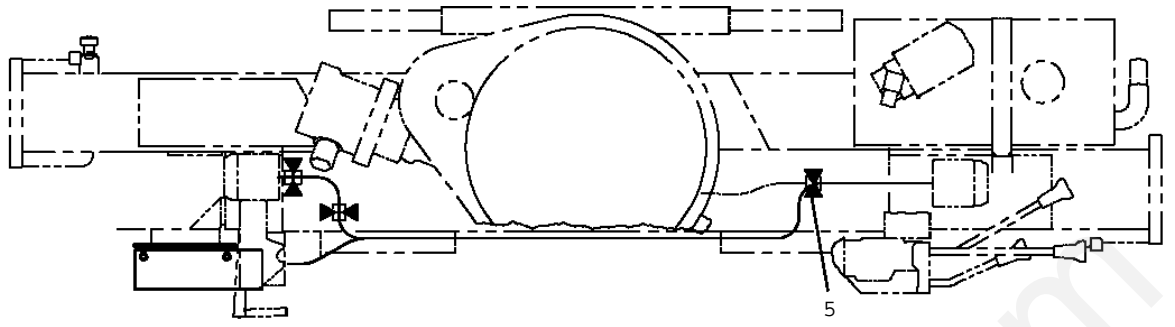
www.AutoEPC.com



**TM-ZF360 41102210021A FRAME/SL,MANUAL**

Pos No.	Parts No	Parts Name	Qty	Unit	Technical Data	Serial No (Sta
2	31475352100	PLATE,NAME	1			
5	82100000191	TERMINAL	1			
6	82100000183	INSULATOR	1			
7	91810130240	FASTENER	4			
8	82100002673	CONNECTOR (0.5-0.85,RED)	1			
9	31380292800	HARNESS	1			

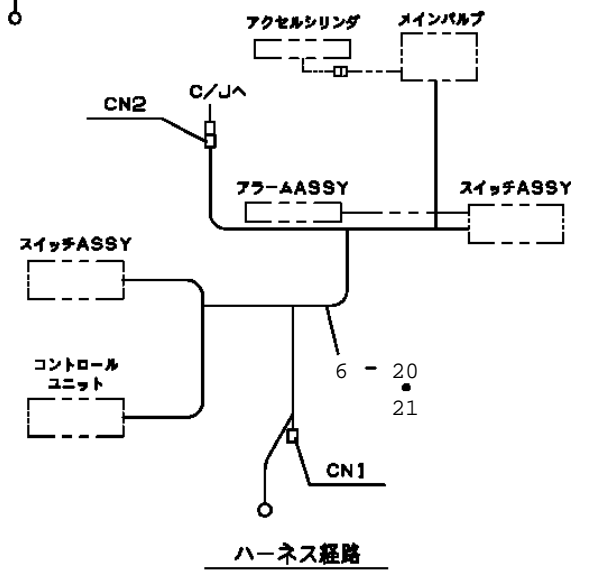
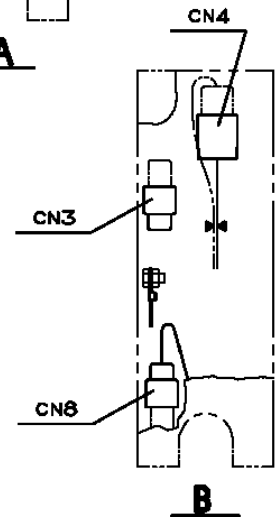
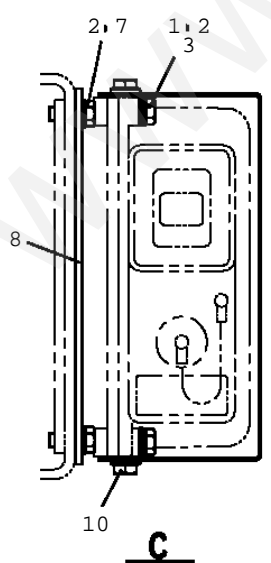
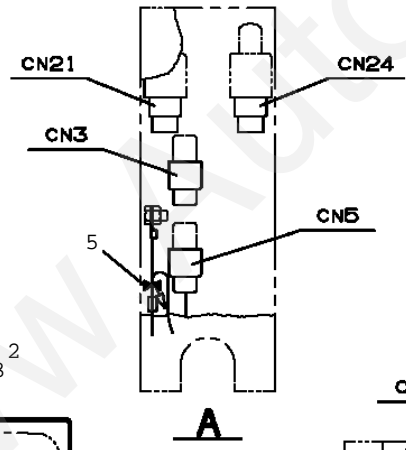
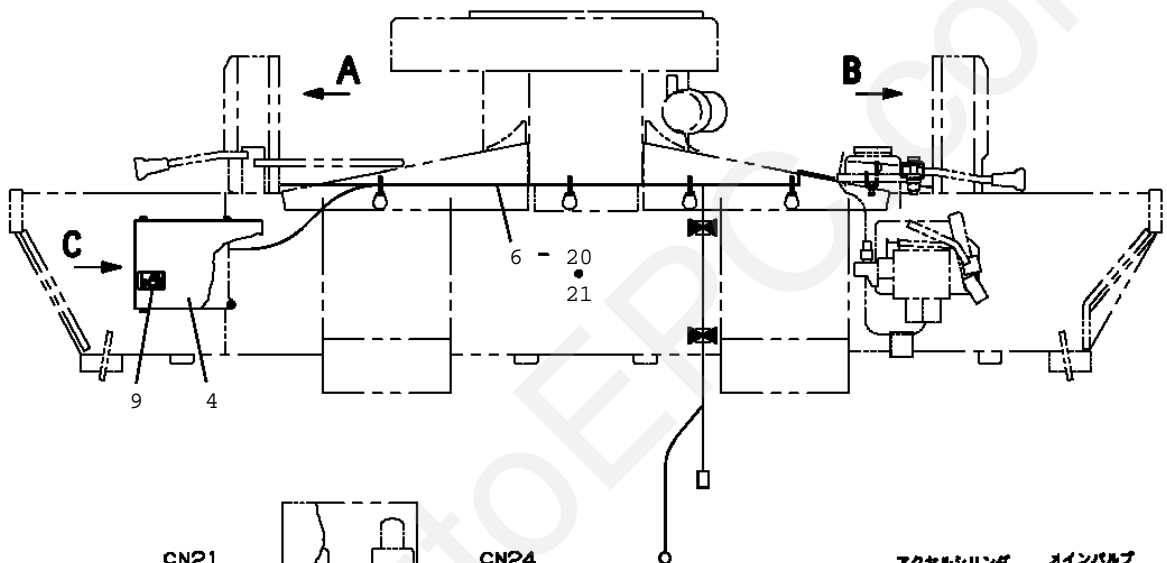
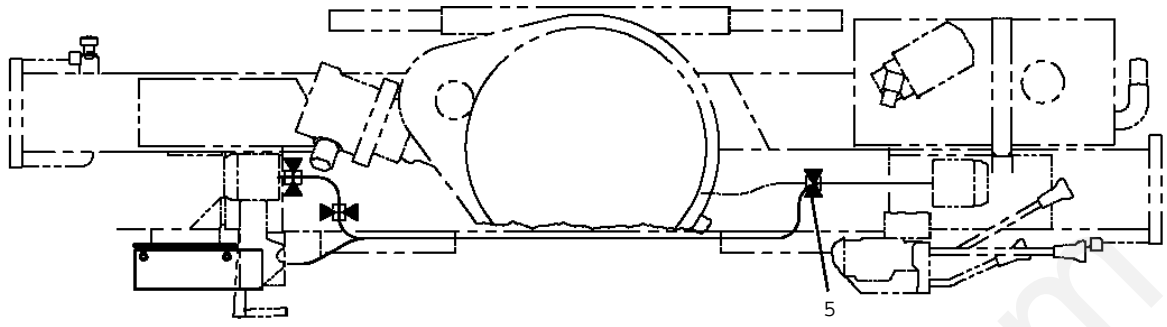
www.AutoEPC.com



**TM-ZF360 41102210021A FRAME/SL,MANUAL**

Pos No.	Parts No	Parts Name	Qty	Unit	Technical Data	Serial No (Start)	Serial
1	90101206035	BOLT	4		M6X35		
2	90302040601	WASHER, SPRING	8		6		
3	90303070601	WASHER, PLAIN	4		6		
4	31653221300	COVER	1				
	31653221500	COVER (IP)	1				
5	91810130240	FASTENER	13				
6	31473795100	HARNESS	1				
7	90101206016	BOLT	4		M6X16		
8	31473795200	SUPPORT	1				
9	31651760800	PLATE, CAUTION	1				
10	90186306010	BOLT, FLANGE	4		M6X10		
11	31473790100	HARNESS	1				
20	82100000745	FUSE	1		10A, 6.5X30		
21	82100002832	HOLDER, FUSE	1				

www.AutoEPC.com



**TM-ZF360 41102210021A FRAME/SL,MANUAL**

Pos No.	Parts No	Parts Name	Qty	Unit	Technical Data	Serial No (Start)	Serial
1	90101206035	BOLT	4		M6X35		
2	90302040601	WASHER, SPRING	8		6		
3	90303070601	WASHER, PLAIN	4		6		
4	31653221500	COVER (IP)	1				
	31653221300	COVER	1				
5	91810130240	FASTENER	13				
6	31479645100	HARNESS	1				
7	90101206016	BOLT	4		M6X16		
8	31473795200	SUPPORT	1				
9	31651760800	PLATE, CAUTION	1				
10	90186306010	BOLT, FLANGE	4		M6X10		
20	82100000745	FUSE	1		10A, 6.5X30		
21	82100002832	HOLDER, FUSE	1				

www.AutoEPC.com



TM-ZF360 41102210021A FRAME/SL,MANUAL  
PE5020101-00 ELEC.ASSY (AWL LAMP)

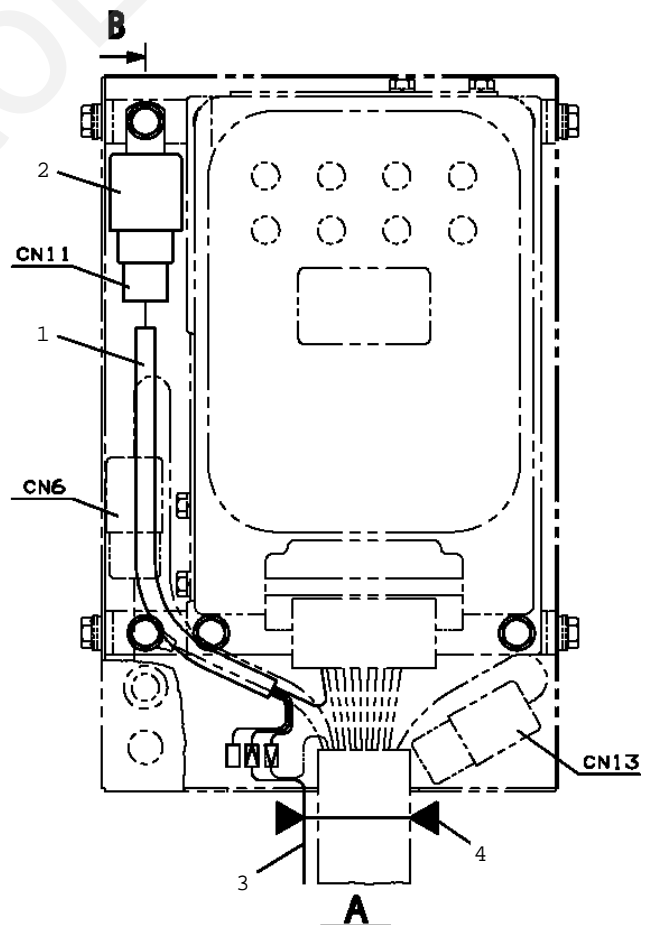
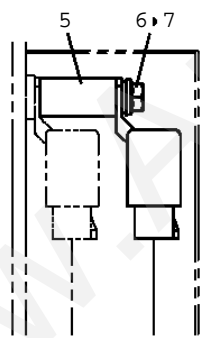
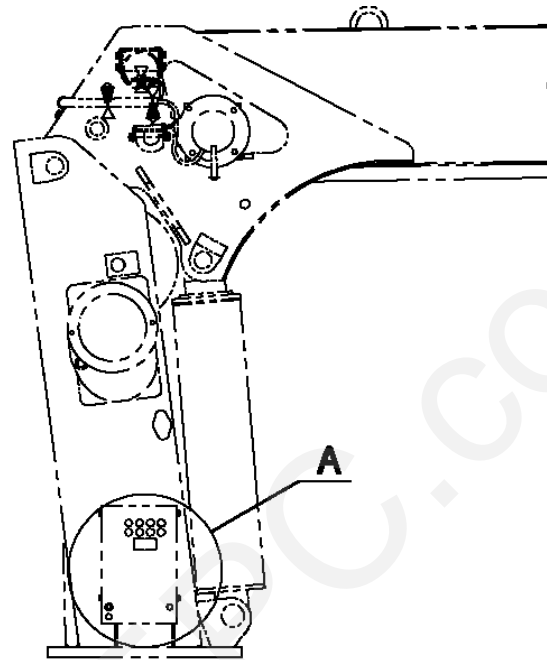
指示番号 KEY NO.	ハイセンASSY (AWLランプ へんこう) ELEC.ASSY (AWL LAMP)
1	ハイセンASSY ELEC.ASSY
2	ネームプレートASSY (ランプ テントウジ ヨウケンへんこう) NAME PLATE ASSY
6	ネームプレートASSY (タカサセイゲンランプ テントウジ ヨウケンへんこう) NAME PLATE ASSY

**TM-ZF360 41102210021A FRAME/SL,MANUAL**

Pos No.	Parts No	Parts Name	Qty	Unit	Technical Data	Serial No (Start)	Se
1	(***** )	ELEC.ASSY	1				
2	(***** )	NAME PLATE ASSY	1				
6	(***** )	NAME PLATE ASSY	1			KA3626	

www.AutoEPC.com

TM-ZF360 41102210021A FRAME/SL, MANUAL  
PE5020102-00 ELEC.ASSY



**TM-ZF360 41102210021A FRAME/SL,MANUAL**

Pos No.	Parts No	Parts Name	Qty	Unit	Technical Data	Serial No (Start)	Serial
1	31500701100	HARNESS	1				
2	82100002596	RELAY	1				
3	31473744700	HARNESS (RED)	1		L=1000		
4	91810130240	FASTENER	4				
5	44630111170	SPACER	1				
6	90186206045	BOLT, FLANGE	1		M6X45		
7	90303070601	WASHER, PLAIN	1		6		

www.AutoEPC.com

TM-ZF360 41102210021A FRAME/SL,MANUAL  
PE5020103-00 ELEC.ASSY

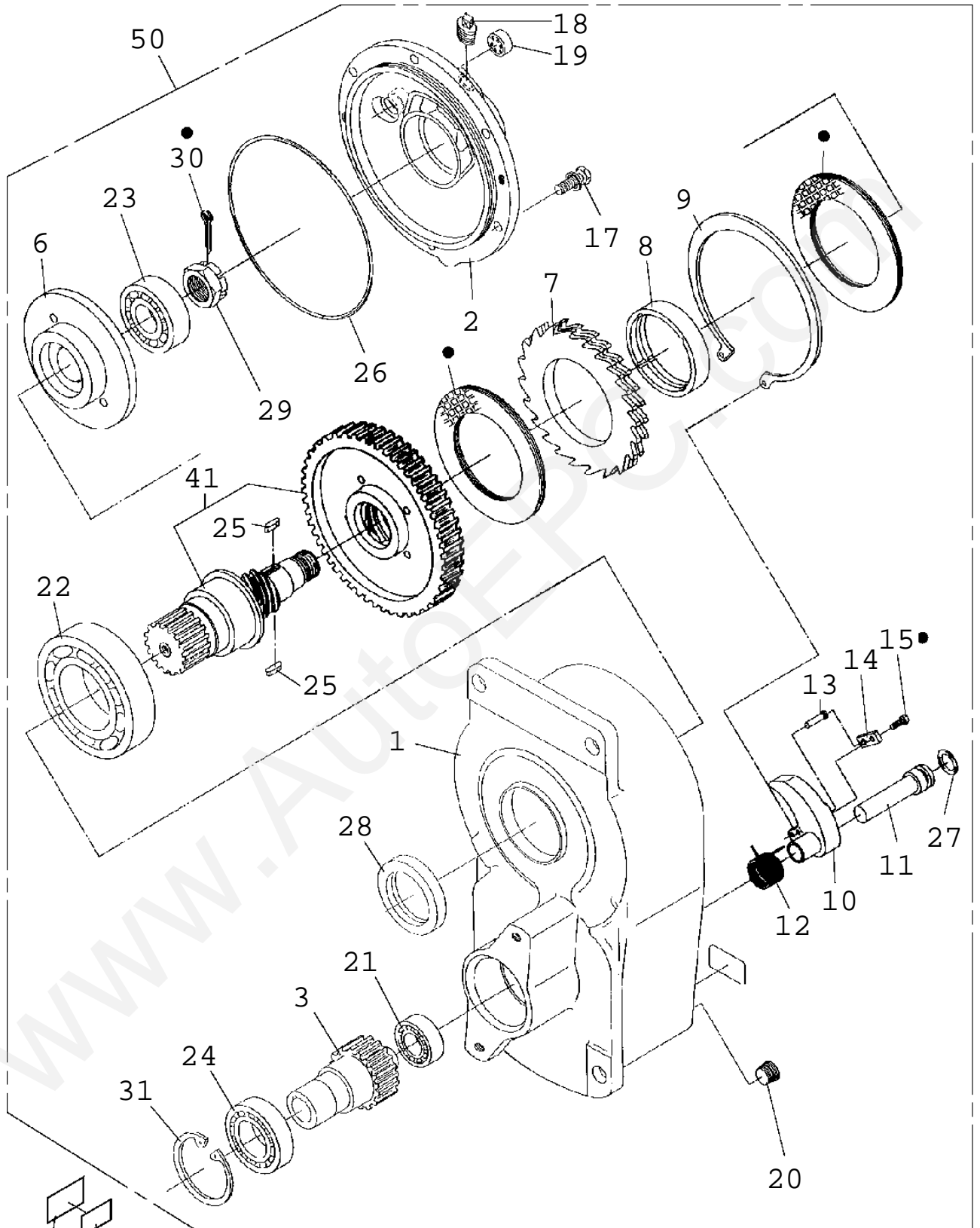
指示番号 KEY NO.	ハイセンASSY (アウトリカ カクノウラスレツイカハーツ,フサーツキ) ELEC.ASSY
1	ハイセンASSY (クレーンフ /スイッチ) ELEC.ASSY (CRANE/SWITCH)
2	ハイセンASSY (クレーンフ /ハーネス) ELEC.ASSY (CRANE/HARNESS)
3	ハイセンASSY (カソウシャリヨウフ ) ELEC.ASSY (CARRIER)
7	プレート ASSY,ネーム PLATE ASSY,NAME

**TM-ZF360 41102210021A FRAME/SL,MANUAL**

Pos No.	Parts No	Parts Name	Qty	Unit	Technical Data	Serial No (
1	(***** )	ELEC.ASSY (CRANE/SWITCH)	1			
2	(***** )	ELEC.ASSY (CRANE/HARNESS)	1			
3	(***** )	ELEC.ASSY (CARRIER)	1			
7	(***** )	PLATE ASSY,NAME	1			

www.AutoEPC.com

TM-ZF360 41102210021A FRAME/SL, MANUAL  
 PF1010128-02 WINCH (OOKUBO)



- Protective seal
- Replacement interval name plate

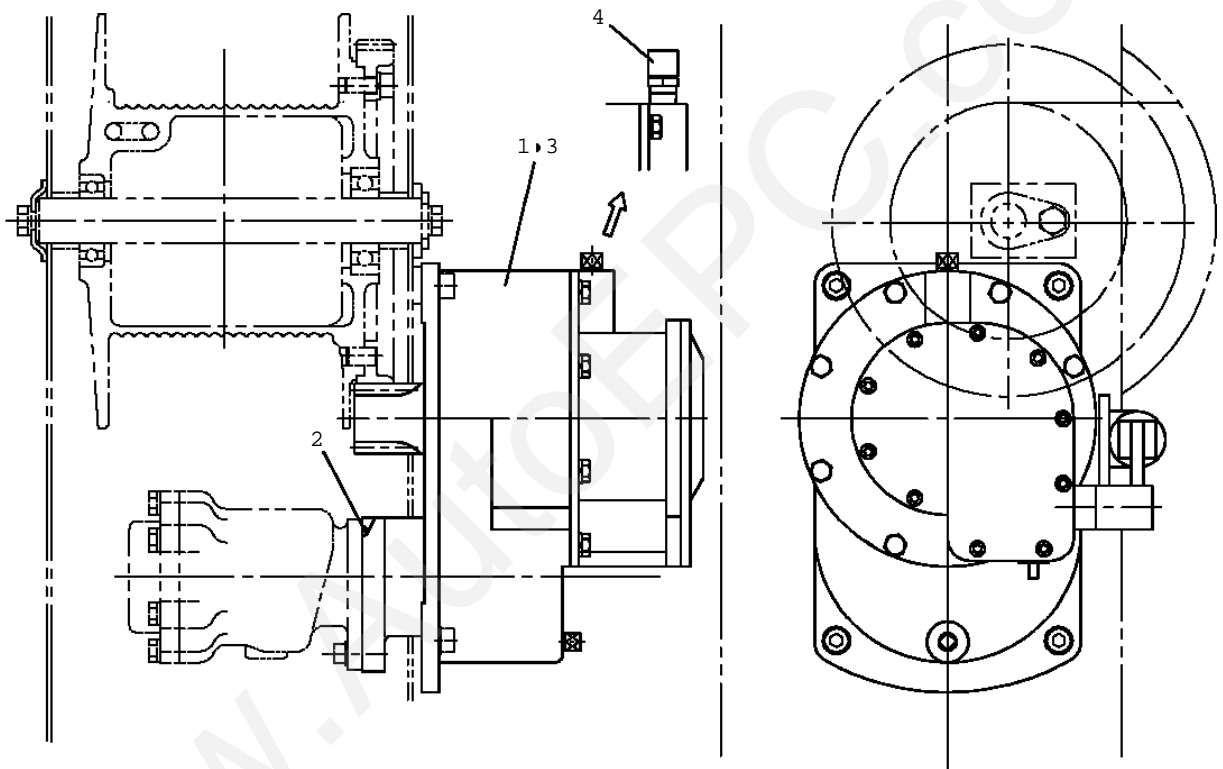
- : FACING KIT KEY NO1 01 ( JAPANESE )
- : FACING KIT KEY NO1 02 ( ENGLISH )

**TM-ZF360 41102210021A FRAME/SL, MANUAL**

Pos No.	Parts No	Parts Name	Qty	Unit	Technical Data	Serial No (Start)
1	36072255010	CASING	1			
2	36072255020	COVER	1			
3	36072255030	GEAR (1)	1			
6	36072255060	DISK	1			
7	36072255070	WHEEL, RATCHET	1			
	36072255071	WHEEL, RATCHET	1			EE5956
8	36072255080	BUSH	1			
9	36072255090	RING, SLIP	1			
	36072255091	RING, SLIP	1			EE5956
10	36072255100	RATCHET	1			
	36072255101	RATCHET	1			EE5956
11	36072255110	PIN	1			
12	36072255120	SPRING	1			
13	36072255130	PIN	1			
14	36072255140	PLATE (LOCK)	1			
15	80172304010	SCREW, MACHINE	1		M4X10	
17	36072255160	BOLT (WITH WASHER)	6		M8X25	
19	36072255180	GAUGE, OIL	1			
20	80205000300	PLUG	1		PT3/8	
21	80500006004	BEARING, BALL	1			
22	80500006212	BEARING, BALL	1			
23	80500006305	BEARING, BALL	1			
24	80500006007	BEARING, BALL	1			
25	36072255190	KEY	2		7X7X20	
26	36072255200	O-RING	1			
27	91001101500	O-RING	1		1A P15	
28	36072255210	SEAL, OIL	1			
29	36072255220	NUT, CASTLE	1		M24	
30	80136350035	PIN, SPLIT	1		5X35	
31	80602110620	RING, RITAINING	1		R62	
41	36072255230	GEAR SET	1			
50	36072250000	WINCH (OOKUBO)	1			
101	36072251000	FACING KIT (JAPANESE)	1			
102	36072252000	FACING KIT (ENGLISH)	1			



TM-ZF360 41102210021A FRAME/SL, MANUAL  
PF1010131-01 WINCH (DRUM FREE, OPTION)

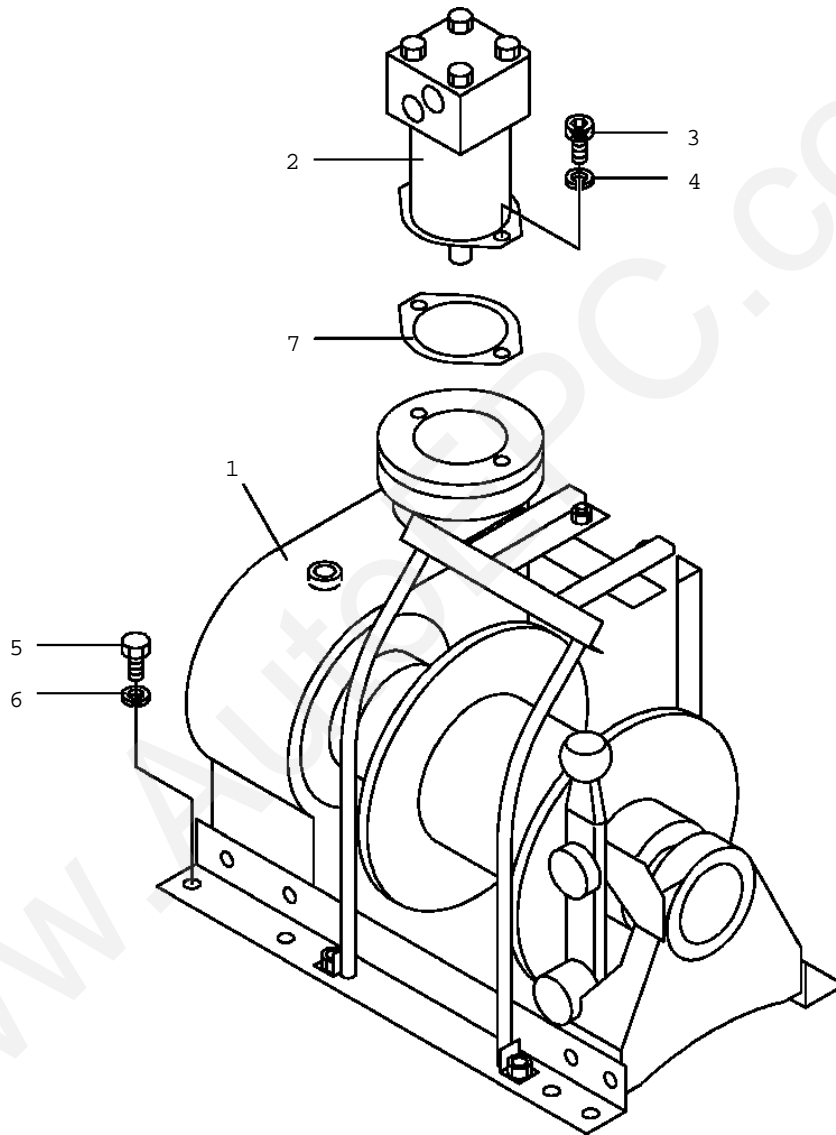


**TM-ZF360 41102210021A FRAME/SL,MANUAL**

Pos No.	Parts No	Parts Name	Qty	Unit	Technical Data	Serial No (Start)	Se
1	36072280000	WINCH (DRUM FREE)	1				
2	91001206000	O-RING	1		1A G60		
4	31310610500	BREATHER,AIR	1				

www.AutoEPC.com

TM-ZF360 41102210021A FRAME/SL, MANUAL  
PF1010132-00 WINCH (SELF 3TX1, OPTION)

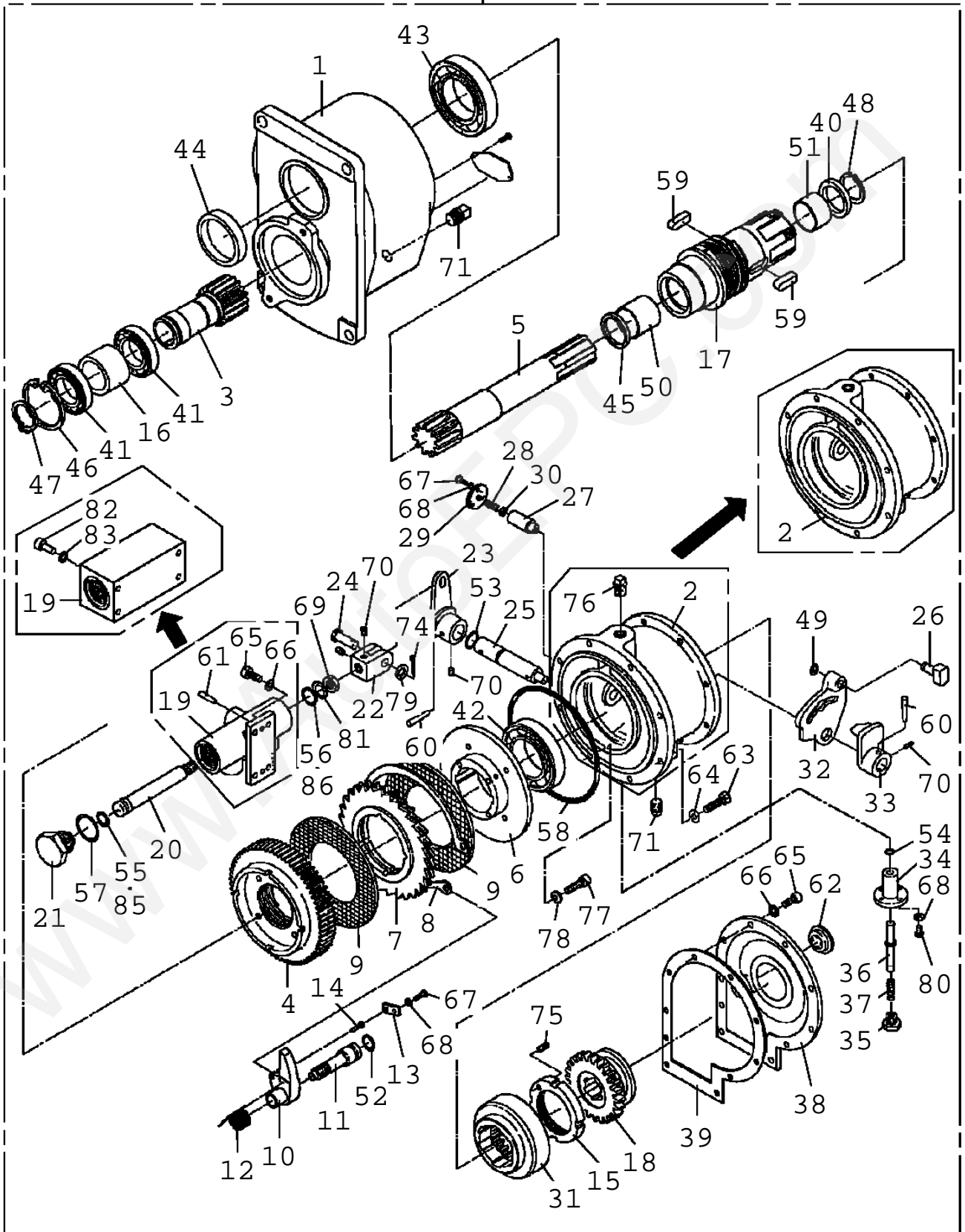


**TM-ZF360 41102210021A FRAME/SL,MANUAL**

Pos No.	Parts No	Parts Name	Qty	Unit	Technical Data	Serial No (Start)
1	36072240000	WINCH (SL 3TX1)	1			
2	36662290000	MOTOR, HYDRAULIC	1			
3	90172112035	BOLT, HEXAGON SOCKET	2		M12X35	
4	90302041201	WASHER, SPRING	2		12	
5	90101216030	BOLT	9		M16X30	
6	90302041601	WASHER, SPRING	9		16	
7	31310620100	PACKING	1			

www.AutoEPC.com

100



**TM-ZF360 41102210021A FRAME/SL, MANUAL**

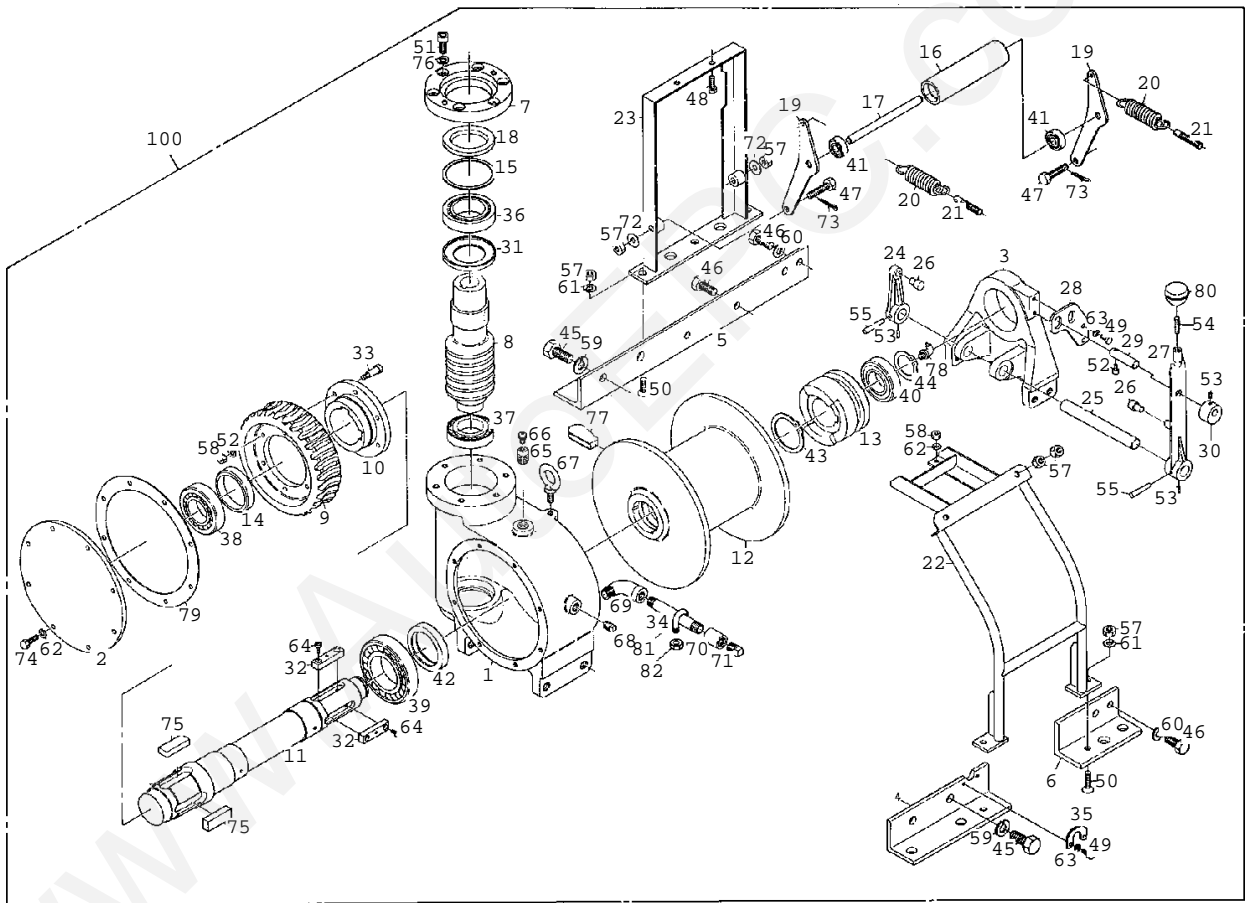
Pos No.	Parts No	Parts Name	Qty	Unit	Technical Data	Serial No (Start
1	36072285070	CASE,GEAR	1			
2	36071315020	CASE (CLUTCH)	1			
3	36071195030	GEAR,SPUR	1			
4	36071315030	GEAR,SPUR	1			
5	36071315040	GEAR,SPUR	1			
6	36071315050	BRAKE,DISK	1			
7	36071315060	WHEEL,RATCHET	1			
8	36071195080	LINK (RATCHET CONTROL)	1			
9	36071315070	DISK ASSY	2			
10	36071195100	RATCHET	1			
11	36071315080	SHAFT	1			
12	36071315090	SPRING	1			
13	36071195130	CAP	1			
14	36071195140	PIN	1			
15	36071315100	NUT	1			
16	36071195160	SPACER	1			
17	36071315110	SHAFT	1			
18	36071315120	GEAR,CLUTCH	1			
19	36072285080	CYLINDER	1			
20	36072285020	PISTON	1			
21	36071315150	STOPPER	1			
22	36071315160	JOINT, KNUCKLE	1			
23	36071315170	ARM (CLUTCH)	1			
24	36071315180	PIN (HINGE)	1			
25	36071315190	SHAFT	1			
26	36071315200	PIN (SLIDE)	1			
27	36071135150	PIN (LOCK)	1			
28	36071135160	SPRING	1			
29	36071315210	CAP	1			
30	36071315220	WASHER	1			
31	36071315230	GEAR,CLUTCH	1			
32	36071315240	SHIFTER (1)	1			
33	36071315250	SHIFTER (2)	1			
34	36071315261	HOUSING (INDICATOR)	1			
35	36071315270	NUT	1			
36	36071315280	PIN	1			
37	36071315290	SPRING	1			
38	36071315300	COVER	1			
39	36071315310	PACKING (SEAT)	1			
40	36071315320	SPACER (2)	1			
41	80500006007	BEARING, BALL	2			
42	80500006211	BEARING, BALL	1			
43	80500006212	BEARING, BALL	1			
44	91206058002	SEAL, OIL	1			
45	36071315330	SEAL, OIL	1			
46	80602110620	RING, RITAINING	1		R62	
47	80601110350	RING, RITAINING	1		S35	
48	80601110340	RING, RITAINING	1		S34	
49	80601110100	RING, RITAINING	1		S10	
50	36071315340	BEARING, PLAIN	1			
51	36071315350	BEARING, PLAIN	1			
52	91001101500	O-RING	1		1A P15	
53	91001101400	O-RING	2		1A P14	
54	91001100800	O-RING	1		1A P8	
55	91001101800	O-RING	1		1A P18	
56	91001101400	O-RING	1		1A P14	
57	91001102201	O-RING	1		1A P22A	
58	36071195200	O-RING	1			
59	36071315360	KEY	2			
60	36071315370	PIN, TAPER	2			
62	36071195190	GAUGE, OIL	1			
63	90131508018	BOLT, HEXAGON SOCKET	7		M8X18	
64	90302040801	WASHER, SPRING	7		8	
65	90131506018	BOLT, HEXAGON SOCKET	10		M6X18	
66	90302040601	WASHER, SPRING	10		6	
67	80172304012	SCREW, MACHINE	1		M4X12	
68	90302040401	WASHER, SPRING	8		4	
69	90211301200	NUT	1		M12	
70	36071315390	SCREW, SET	3		M6X6	
71	80205000300	PLUG	2		PT3/8	
74	80136320016	PIN, SPLIT	1		2X16	
75	36071135290	SCREW	2		M5X10	
77	90131508015	BOLT, HEXAGON SOCKET	1		M8X15	
78	36071315400	WASHER, SEAL	1			

**TM-ZF360 41102210021A FRAME/SL,MANUAL**

Pos No.	Parts No	Parts Name	Qty	Unit	Technical Data	Serial No (Start
79	90303071001	WASHER,PLAIN	1		10	
80	90131504012	BOLT,HEXAGON SOCKET	7		M4X12	
81	36072285030	SEAL,DUST	1			
82	90131506045	BOLT,HEXAGON SOCKET	4		M6X45	
83	90302040601	WASHER,SPRING	4		6	
85	91410001800	RING,BACKUP	2		P18	
86	91410001400	RING,BACKUP	1		P14	
100	36072280000	WINCH (DRUM FREE)	1			

www.AutoEPC.com

TM-ZF360 41102210021A FRAME/SL, MANUAL  
PF1010134-01 WINCH (SL 3TX1)





**TM-ZF360 41102210021A FRAME/SL, MANUAL**

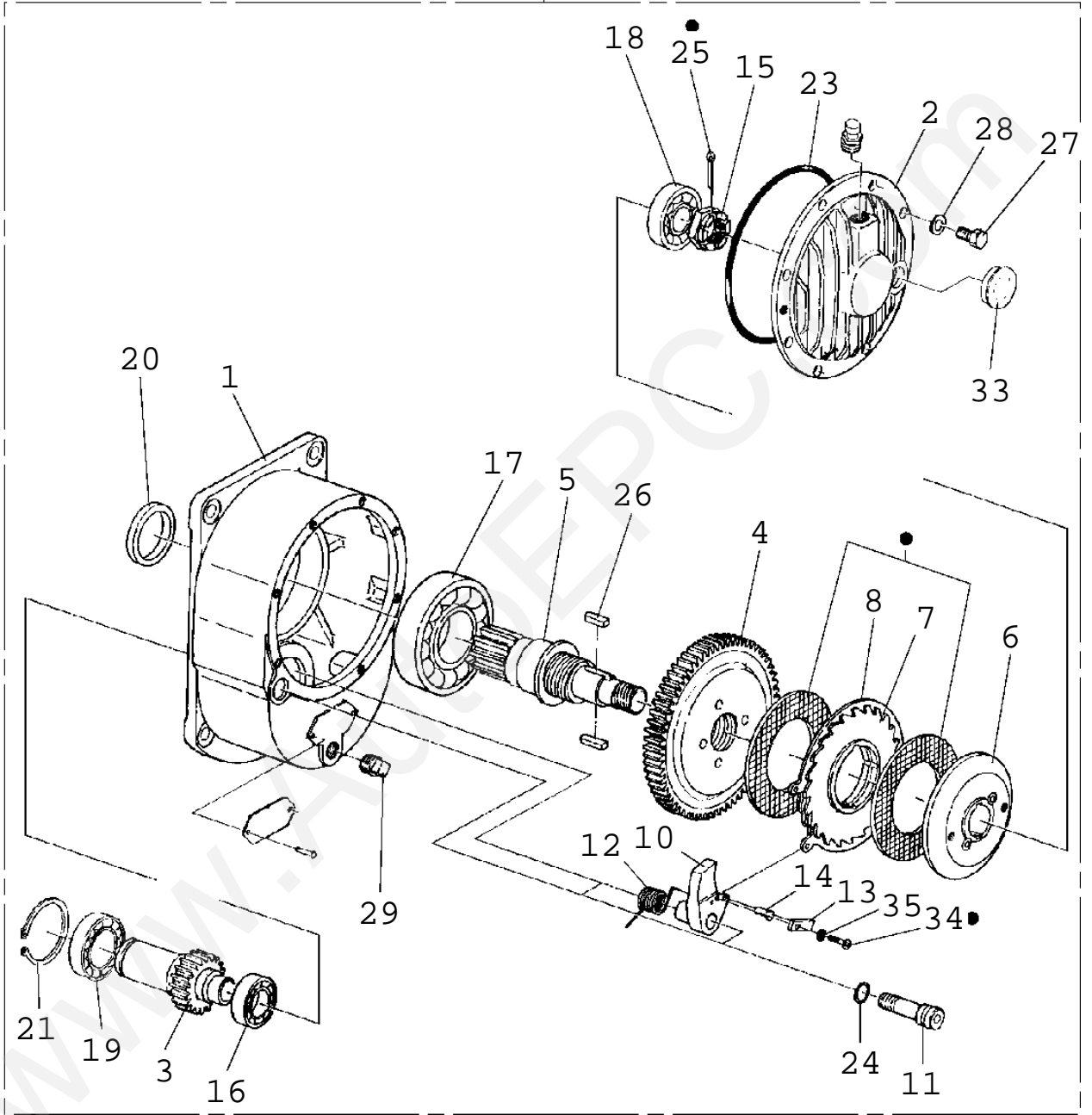
Pos No.	Parts No	Parts Name	Qty	Unit	Technical Data	Serial No (Start)
1	49007075010	CASE, GEAR	1			
2	36070525020	COVER	1			
3	36070525030	RETAINER (BEARING)	1			
4	49007025010	FRAME (1)	1			
5	49007025020	FRAME (2)	1			
6	49007025030	FRAME (3)	1			
7	36072245040	FLANGE (MOTOR)	1			
8	36072245050	WORM	1			
9	36070525090	WHEEL, WORM	1			
10	36070525100	BOSS (WORM)	1			
11	36070525110	DRUM, SHAFT	1			
12	36070525120	DRUM	1			
13	36070525130	CLUTCH	1			
14	36070525140	COLLAR	1			
15	36070525150	PLATE (SHIM)	1			
16	36070525160	ROLLER	1			
17	36070525170	SHAFT (ROLLER)	1			
18	36072245030	SEAL, OIL	1			
19	36070525180	ARM (ROLLER)	2			
20	36070525190	SPRING	2			
21	36070525200	BOLT	2		M10X60	
22	49007075040	GUIDE (WIRE)	1			
23	36070525220	STAND (ROLLER)	1			
24	36070525230	FORK (CHENGE)	1			
25	36070525240	SHAFT	1			
26	36070525250	PIN (SLIDE)	2			
27	36070525260	LEVER (CLUTCH)	1			
28	36070525270	BRACKET	1			
29	36070525280	PIN	1			
30	36070525290	GRIP (LOCK)	1			
31	36070525300	PLATE	1			
32	36070525310	KEY	2			
33	36070525320	BOLT (REAMER)	6			
34	36070525330	PIPE, DRAIN	1			
35	36070525340	BAND	1			
36	36070525350	BEARING, ROLLER	1			
37	36070525360	BEARING, ROLLER	1			
38	80500006012	BEARING, BALL	1			
39	80500006213	BEARING, BALL	1			
40	80516006208	BEARING, BALL	1			
41	80516006202	BEARING, BALL	2			
42	91216065001	SEAL, OIL	1			
43	80601110600	RING, RITAINING	1		S60	
44	80601110400	RING, RITAINING	1		S40	
45	90101516035	BOLT	4		M16X35	
46	90171112030	BOLT	4		M12X30	
47	90101510045	BOLT	2		M10X45	
48	90101208020	BOLT	2		M8X20	
49	90101206015	BOLT	2		M6X15	
50	36070525370	BOLT, FLAT HEAD	5		M10X30	
51	36072245010	BOLT, HEXAGON SOCKET	6		M10X25	
52	36072245020	BOLT, HEXAGON SOCKET	1		M6X10	
53	90730006100	SCREW, SET	3		M6X10	
54	36070525380	BOLT, STUD	1			
55	53038610370	PIN, TAPER	2			
57	90201201000	NUT	11		M10	
58	90201200800	NUT	8		M8	
59	90302041601	WASHER, SPRING	4		16	
60	90302041201	WASHER, SPRING	8		12	
61	90302041001	WASHER, SPRING	5		10	
62	90302040801	WASHER, SPRING	8		8	
63	90302040601	WASHER, SPRING	2		6	
64	90131505012	BOLT, HEXAGON SOCKET	4		M5X12	
65	36070525390	PLUG	1		PT1/2X1/8	
66	14123000400	BREATHER	1		PT1/8	
67	90151200100	BOLT, EYE	1		M10	
68	80205000200	PLUG	1		PT1/4	
69	36070525400	JOINT	1		PT3/8	
70	36070525410	SOCKET	1		PT3/8	
71	80205000300	PLUG	1		PT3/8	
72	90303071001	WASHER, PLAIN	2		10	
73	80136320020	PIN, SPLIT	2		2X20	
74	90101508025	BOLT	8		M8X25	
75	36070525420	KEY	2		20X12X54	

**TM-ZF360 41102210021A FRAME/SL,MANUAL**

Pos No.	Parts No	Parts Name	Qty	Unit	Technical Data	Serial No (Start)
76	90302041001	WASHER,SPRING	6		10	
77	36070525430	WEDGE	1			
78	82458202000	NIPPLE,GREASE	1		B-TYPE PT1/8	
79	36070525440	PACKING (SEAT)	1			
80	36070525450	KNOB	1			
81	36070525460	U-BOLT	1			
82	90201200600	NUT	2		M6	
100	36072240000	WINCH (SL 3TX1)	1			

www.AutoEPC.com

50



- : FACING KIT KEY NO1 01( JAPANESE )
- : FACING KIT KEY NO1 02( ENGLISH )

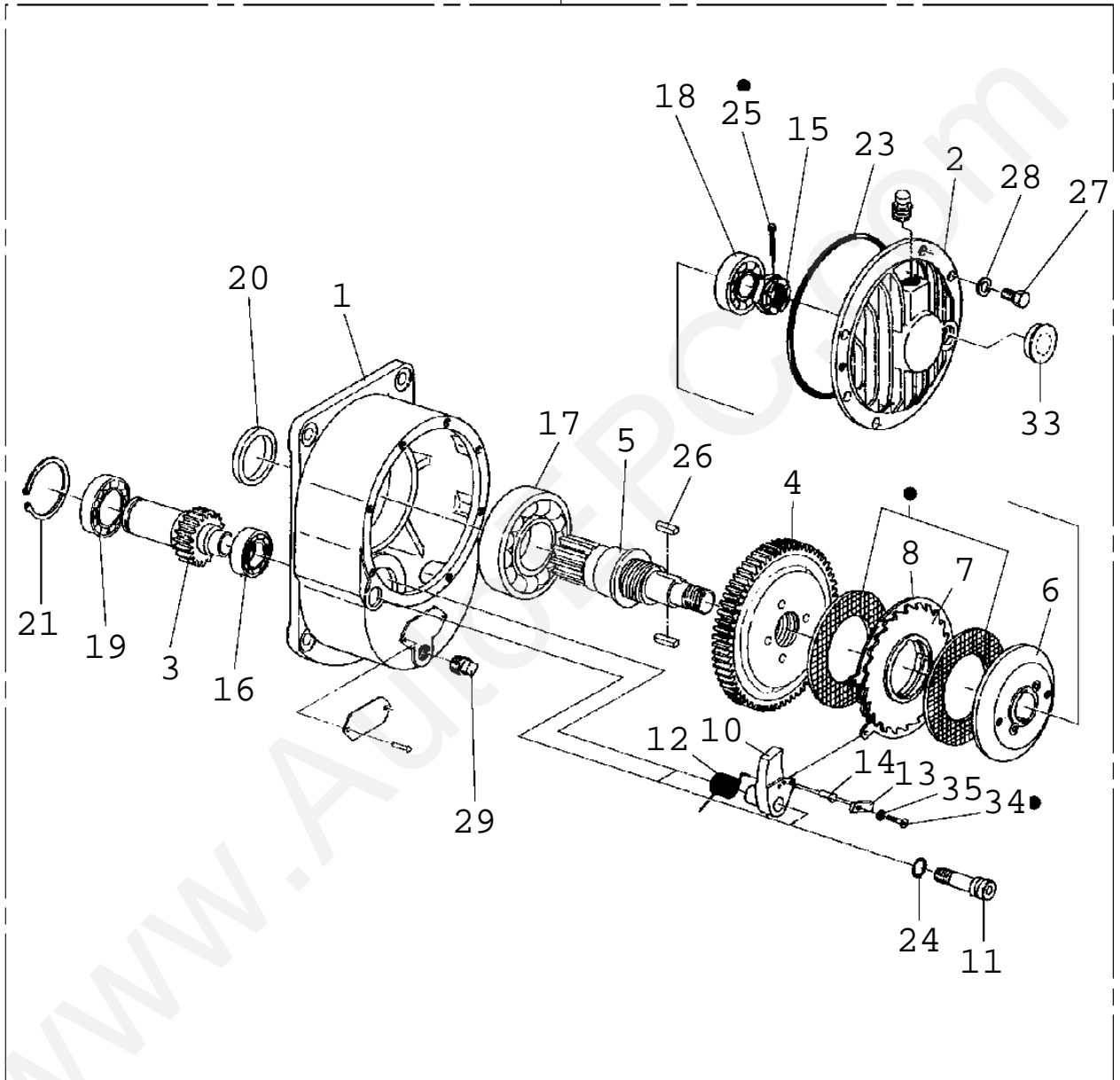


- Protective seal
- Replacement interval name plate

**TM-ZF360 41102210021A FRAME/SL,MANUAL**

Pos No.	Parts No	Parts Name	Qty	Unit	Technical Data	Serial No (Start
1	36072215010	CASE,GEAR	1			
2	36072215020	CASE,GEAR	1			
3	36072215030	GEAR,SPUR	1			
4	36071195040	GEAR,SPUR	1			
5	36072215040	GEAR,SPUR	1			
6	36071195060	BRAKE,DISK	1			
7	36071195070	WHEEL,RATCHET	1			
8	36071195080	LINK (RATCHET CONTROL)	1			
10	36071195100	RATCHET	1			
11	36072215050	SHAFT	1			
12	36071195120	SPRING	1			
13	36071195130	CAP	1			
14	36071195140	PIN	1			
15	36071195150	NUT	1			
16	80500006004	BEARING,BALL	1			
17	80500006212	BEARING,BALL	1			
18	80500006305	BEARING,BALL	1			
19	80500006007	BEARING,BALL	1			
20	91206048001	SEAL,OIL	1			
21	80602110620	RING,RITAINING	1		R62	
23	36071195200	O-RING	1			
24	36071195170	O-RING	1		P15	
25	80136340040	PIN,SPLIT	1		4X40	
26	36071195180	KEY	2			
27	90131508018	BOLT,HEXAGON SOCKET	8		M8X18	
28	90302040801	WASHER,SPRING	8		8	
29	80205000300	PLUG	1		PT3/8	
33	36071195190	GAUGE,OIL	1			
34	80172304012	SCREW,MACHINE	1		M4X12	
35	90302040401	WASHER,SPRING	1		4	
50	36072310000	WINCH (HARTYS)	1			
101	36070441000	FACING KIT(JAPANESE)	1			
102	36070442000	FACING KIT (ENGLISH)	1			

100



- : FACING KIT KEY NO1 0 1( JAPANESE )
- : FACING KIT KEY NO1 0 2( ENGLISH )

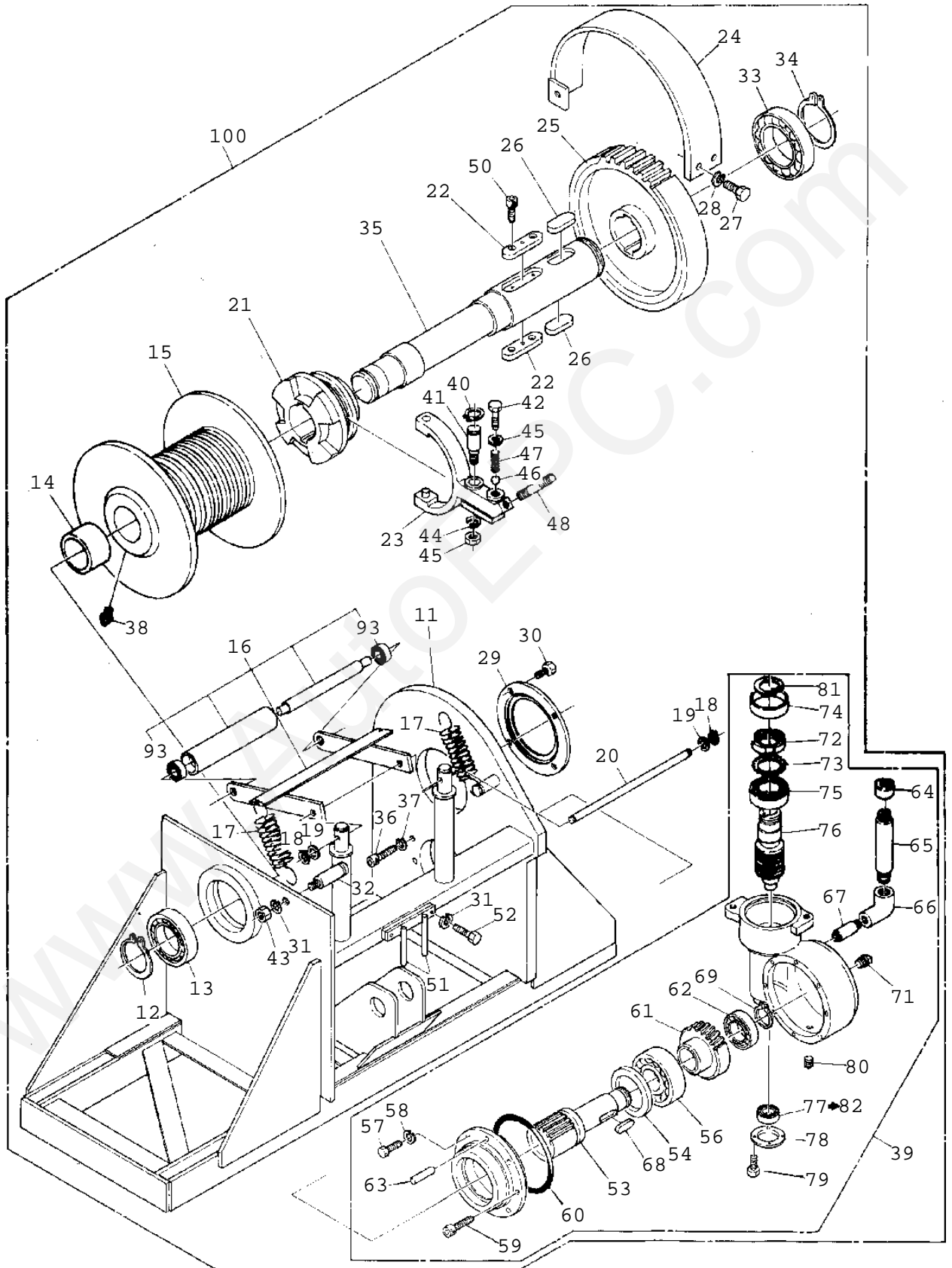


- Protective seal
- Replacement interval name plate

**TM-ZF360 41102210021A FRAME/SL,MANUAL**

Pos No.	Parts No	Parts Name	Qty	Unit	Technical Data	Serial No (
1	36072625010	CASE,GEAR	1			
	36072625080	CASE,GEAR	1			EE7978
2	36072625020	CASE,GEAR	1			
3	36072625030	GEAR,SPUR	1			
4	36072625040	GEAR,SPUR	1			
	36072625100	GEAR,SPUR	1			EP5088
5	36072625050	GEAR,SPUR	1			
6	36072625060	BRAKE,DISK	1			
	36072625110	BRAKE,DISK	1			EP5088
7	36072395030	WHEEL,RATCHET (BUSH L=14MM)	1			
	36072625120	WHEEL,RATCHET (BUSH L=17MM)	1			EP5088
8	36071195080	LINK (RATCHET CONTROL)	1			
10	36071195100	RATCHET	1			
11	36072215050	SHAFT	1			
	36072625090	SHAFT	1			EE7978
12	36071195120	SPRING	1			
13	36071195130	CAP	1			
14	36071195140	PIN	1			
15	36071195150	NUT	1			
16	80500006202	BEARING,BALL	1			
17	80500006212	BEARING,BALL	1			
18	80500006305	BEARING,BALL	1			
19	80500006007	BEARING,BALL	1			
20	91206048001	SEAL,OIL	1			
21	80602110620	RING,RITAINING	1		R62	
23	36071195200	O-RING	1			
24	36071195170	O-RING	1		P15	
25	80136340040	PIN,SPLIT	1		4X40	
26	36072625070	KEY	2			
27	90131508018	BOLT,HEXAGON SOCKET	6		M8X18	
	90101208018	BOLT	6		M8X18	EP5088
28	90302040801	WASHER,SPRING	6		8	
29	80205000300	PLUG	1		PT3/8	
	80316030060	PLUG	1		PT3/8	EP5088
33	36071195190	GAUGE,OIL	1			
34	80172304012	SCREW,MACHINE	1		M4X12	
	80172304015	SCREW,MACHINE	1		M4X15	EP5088
35	90302040401	WASHER,SPRING	1		4	
100	36072620000	WINCH (HARTYS)	1			
101	36070441000	FACING KIT(JAPANESE)	1			
102	36070442000	FACING KIT (ENGLISH)	1			

TM-ZF360 41102210021A FRAME/SL, MANUAL  
PF1010177-00 WINCH (SL 4TONX1)

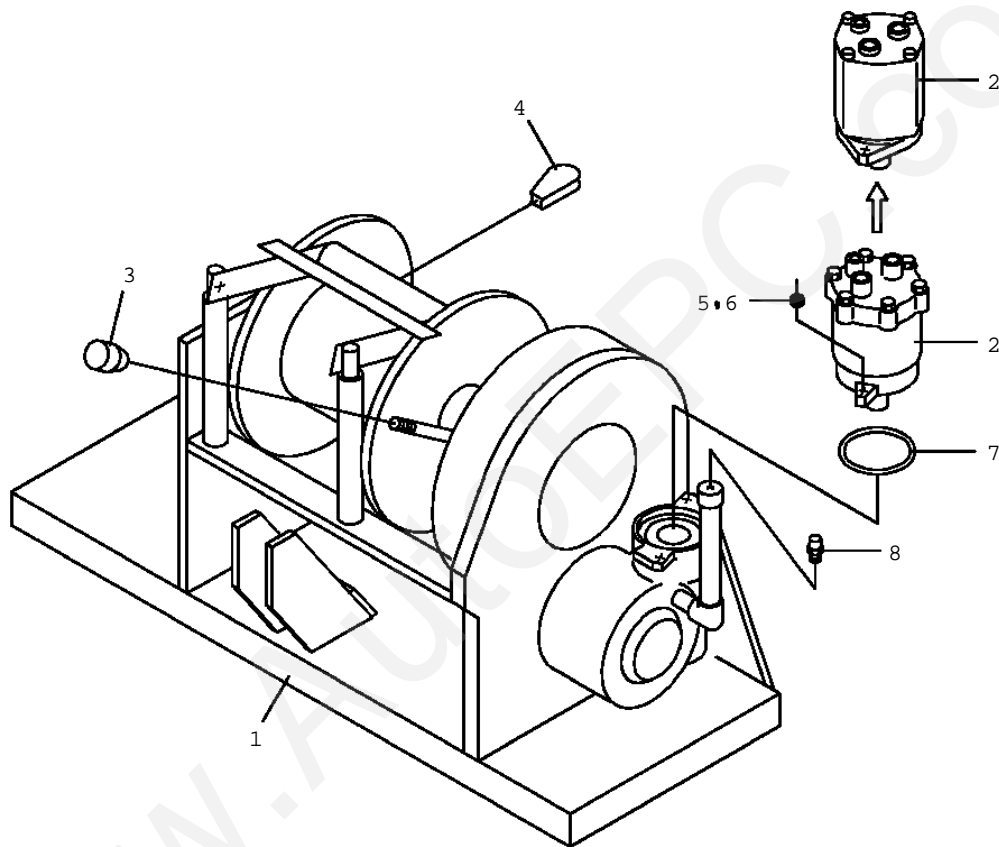


**TM-ZF360 41102210021A FRAME/SL,MANUAL**

Pos No.	Parts No	Parts Name	Qty	Unit	Technical Data	Serial
11	36070405010	FRAME ASSY	1			
12	80601110600	RING,RITAINING	1		S60	
13	80516006212	BEARING,BALL	1			
14	36070405020	SPACER	1			
15	36070405030	DRUM	1			
16	36070405040	ROLLER ASSY	1			
17	36070405050	SPRING	2			
18	80601110150	RING,RITAINING	2		15	
19	90303101401	WASHER,PLAIN	2		14	
20	36070405060	PIN	1			
21	36070405070	CLUTCH	1			
22	36070405080	KEY	2			
23	36070405090	SHIFTER ASSY	1			
24	36070405100	COVER	1			
25	36070405110	GEAR,SPUR	1			
26	36070405120	KEY	2			
27	90102208012	BOLT	3		M8X12	
28	90302040801	WASHER,SPRING	3		8	
29	36070405130	RETAINER	1			
30	90102510020	BOLT	4		M10X20	
31	90302041001	WASHER,SPRING	3		10	
32	36070405140	HOOK	1			
33	36070405320	BEARING,BALL	1			
34	80601110700	RING,RITAINING	1		S70	
35	36070405150	DRUM,SHAFT	1			
36	90131714045	BOLT,HEXAGON SOCKET	4		M14X45	
37	90302041401	WASHER,SPRING	4		14	
38	82456101000	NIPPLE,GREASE	2		A-PT1/8	
39	36070405160	WORM ASSY	1			
40	80601110200	RING,RITAINING	1		S20	
41	36070405170	PIN	1			
42	90102212035	BOLT	1		M12X35	
43	90201201000	NUT	1		M10	
44	90302041201	WASHER,SPRING	1		12	
45	90201201200	NUT	2		M12	
46	80560010000	BALL,STEEL	1		10	
47	36070405180	SPRING	1			
48	36070405190	BOLT,STUD	1		M12X50	
50	90131706010	BOLT,HEXAGON SOCKET	4		M6X10	
51	36070405200	GUIDE	1			
52	90102210014	BOLT	2		M10X14	
53	36070405220	GEAR,SPUR	1			
54	91216070003	SEAL,OIL	1			
56	80500006309	BEARING,BALL	1			
59	90172210025	BOLT,HEXAGON SOCKET	2		M10X25	
60	91001212500	O-RING	1		1A G125	
61	36080065090	WHEEL,WORM	1			
62	80500006208	BEARING,BALL	1			
63	36080015000	PIN	2			
64	36070405240	CAP	1			
65	36070405250	NIPPLE	1		PT3/4	
66	36070405260	JOINT,ELBOW	1		PT1/2XPT3/4	
67	36070405270	NIPPLE (LONG,PT1/2)	1			
68	36080065080	KEY	1			
69	36080065110	RING,SNAP	1			
71	80316030060	PLUG	1		PT3/8	
72	80561100080	NUT	1		AN08	
74	36080495210	SPACER	1			
75	36070405210	BEARING,BALL	1			
76	36080495220	WORM	1			
80	80316030040	PLUG	1		PT1/4	
81	80602110800	RING,RITAINING	1		R80	
82	36080755030	BEARING,NEEDLE	1		BK3020+IR25*30*18	
93	80516006201	BEARING,BALL	2			
100	36070400000	WINCH (SL 4TONX1)	1			



TM-ZF360 41102210021A FRAME/SL, MANUAL  
PF1010210-00 WINCH (SELF)

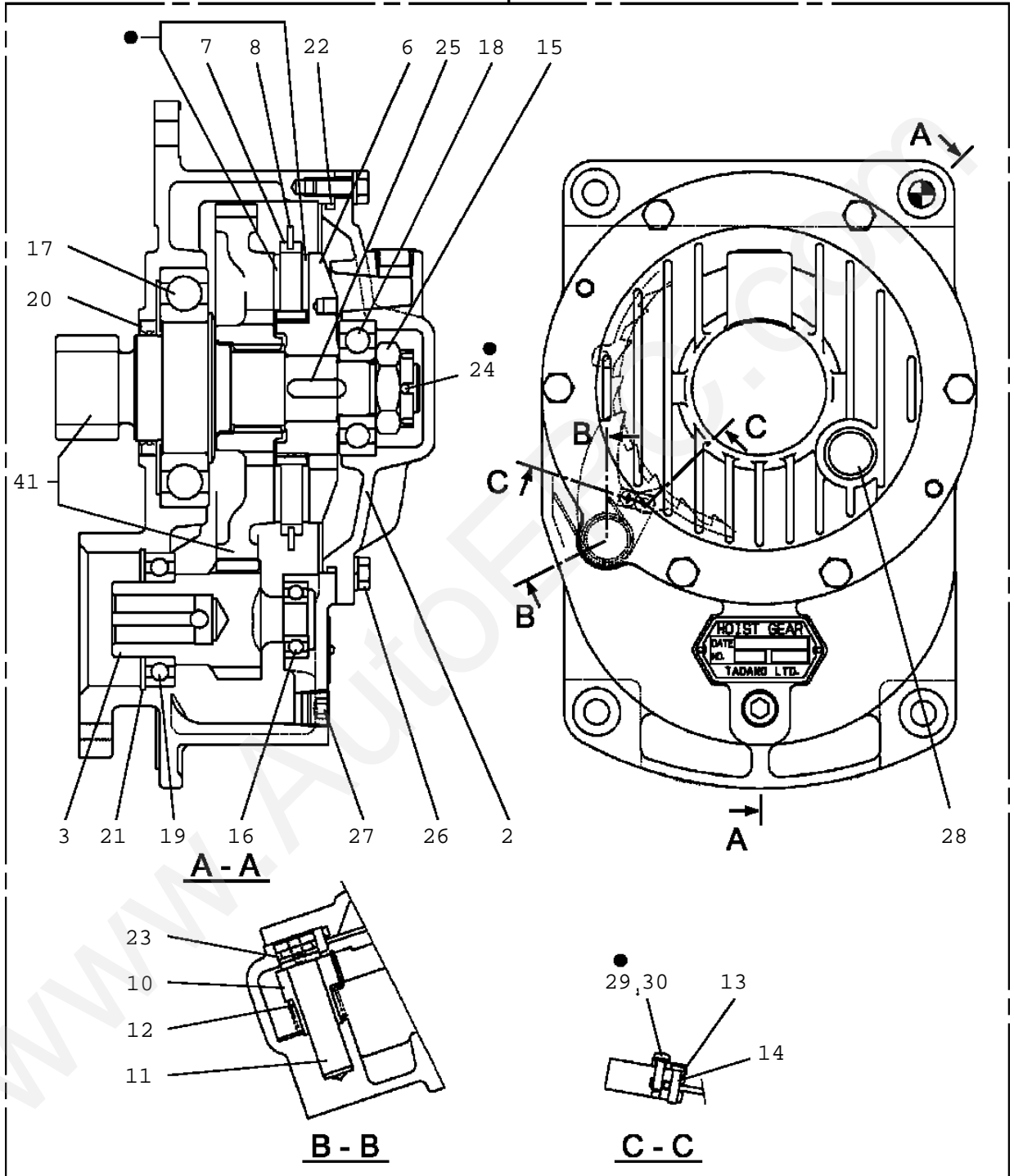


**TM-ZF360 41102210021A FRAME/SL,MANUAL**

Pos No.	Parts No	Parts Name	Qty	Unit	Technical Data	Serial No (Start)
1	36070400000	WINCH (SL 4TONX1)	1			
2	36662410000	MOTOR, HYDRAULIC	1			
3	31320020010	KNOB (BLACK)	1			
4	37002600230	WEDGE	1		14	
5	90172112035	BOLT, HEXAGON SOCKET	2		M12X35	
6	90302041201	WASHER, SPRING	2		12	
7	91001209000	O-RING	1		1A G90	
8	14123000400	BREATHER	1		PT1/8	

www.AutoEPC.com

100



- : FACING KIT KEY NO.101 ( JAPANESE )
- : FACING KIT KEY NO.102 ( ENGLISH )

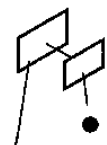
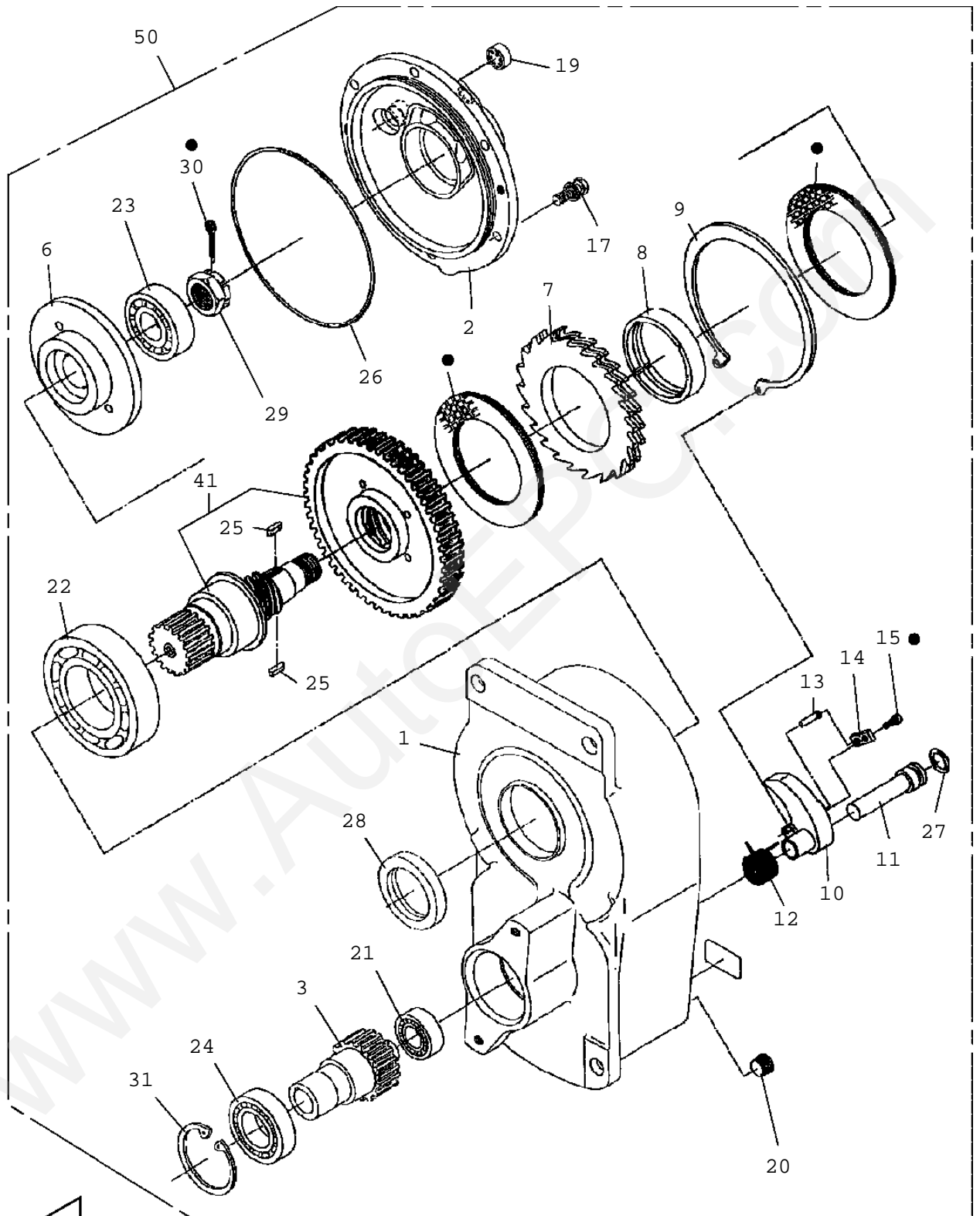


- Protective seal
- Replacement interval name plate

**TM-ZF360 41102210021A FRAME/SL, MANUAL**

Pos No.	Parts No	Parts Name	Qty	Unit	Technical Data	Serial No (Start)
2	36073085020	COVER	1			
3	36073085030	GEAR	1			
6	36073085060	BRAKE,DISK	1			
	36073085061	BRAKE,DISK	1			EP4803
7	36073085070	WHEEL,RATCHET	1			
	36073085071	WHEEL,RATCHET	1			EP4803
	36073085072	WHEEL,RATCHET	1			EP4982
8	36073085080	RING (C)	1			
10	36073085090	RATCHET	1			
11	36073085100	SHAFT	1			
12	36073085110	SPRING	1			
13	36073085120	CAP	1			
14	36073085130	PIN	1			
15	36073085140	NUT	1			
16	80500006202	BEARING,BALL	1			
17	80500006212	BEARING,BALL	1			
18	80500006305	BEARING,BALL	1			
19	80500006007	BEARING,BALL	1			
20	36073085150	SEAL,OIL	1			
21	80602110620	RING,RITAINING	1		R62	
22	36071195200	O-RING	1			
23	91001101500	O-RING	1		1A P15	
24	80136340040	PIN,SPLIT	1		4X40	
25	36073085160	KEY	2			
26	36073085180	BOLT (WITH SW)	6			
27	36073085200	PLUG	1			
28	36073085170	GAUGE,OIL	1			
29	80172304015	SCREW,MACHINE	1		M4X15	
30	90302040401	WASHER,SPRING	1		4	
41	36073085600	GEAR ASSY	1			
	36073085601	GEAR ASSY	1			EP4803
	36073085602	GEAR ASSY	1			EP4982
100	36073080000	WINCH (Y.G.TEC)	1			
101	36070441000	FACING KIT(JAPANESE)	1			
102	36070442000	FACING KIT (ENGLISH)	1			

TM-ZF360 41102210021A FRAME/SL, MANUAL  
 PF1010237-01 WINCH (OOKUBO)



● Protective seal  
 ● Replacement interval name plate

● : FACING KIT KEY NO.101 ( JAPANESE )  
 ● : FACING KIT KEY NO.102 ( ENGLISH )

**TM-ZF360 41102210021A FRAME/SL, MANUAL**

Pos No.	Parts No	Parts Name	Qty	Unit	Technical Data	Serial No (Start)
1	36072255010	CASING	1			
2	36072255020	COVER	1			
3	36072255030	GEAR (1)	1			
6	36072255060	DISK	1			
	36073425030	DISK	1			EP5592
7	36073425020	WHEEL, RATCHET	1			
8	36072255080	BUSH	1			
	36073425040	BUSH	1			EP5592
9	36072255091	RING, SLIP	1			
10	36072255101	RATCHET	1			
11	36072255110	PIN	1			
12	36072255120	SPRING	1			
13	36072255130	PIN	1			
14	36072255140	PLATE (LOCK)	1			
15	80172304010	SCREW, MACHINE	1		M4X10	
17	36072255160	BOLT (WITH WASHER)	6		M8X25	
19	36072255180	GAUGE, OIL	1			
20	36072255240	PLUG	1			
21	80500006004	BEARING, BALL	1			
22	80500006212	BEARING, BALL	1			
23	80500006305	BEARING, BALL	1			
24	80500006007	BEARING, BALL	1			
25	36072255190	KEY	2		7X7X20	
26	36072255250	O-RING	1			
27	91001101500	O-RING	1		1A P15	
28	36072255210	SEAL, OIL	1			
29	36072255220	NUT, CASTLE	1		M24	
30	80136350035	PIN, SPLIT	1		5X35	
31	80602110620	RING, RITAINING	1		R62	
41	36073435010	GEAR SET	1			
	36073435011	GEAR SET	1			EP5592
50	36073430000	WINCH (OOKUBO)	1			
101	36072251000	FACING KIT (JAPANESE)	1			
102	36072252000	FACING KIT (ENGLISH)	1			

TM-ZF360 41102210021A FRAME/SL,MANUAL  
PF1010275-00 WINCH (4TON SELF)

1	ウインチ WINCH
2	フック HOOK
3	オペ . ASSY, ソウサバ ルブ OPE. ASSY, CONT. VALVE
4	パイピ ング , ロー PIPING, LOWER
6	ストツバ , タイヤ STOPPER, TIRE
7	プレートASSY, ネーム PLATE ASSY, NAME
8	ハイセンASSY ELEC. ASSY

**TM-ZF360 41102210021A FRAME/SL,MANUAL**

Pos No.	Parts No	Parts Name	Qty	Unit	Technical Data
1	(*****)	WINCH (SELF 3TX1,OPTION)	1		
2	(*****)	HOOK (3TON SELF WINCH)	1		
3	(*****)	OPE.ASSY,CONT.VALVE (SL)	1		
4	(*****)	PIPING,LOWER (SELF WINCH 3T,OP)	1		
6	31470511000	STOPPER,TIRE	2		
7	(*****)	PLATE ASSY,NAME (SELF WINCH 3T,OPTION)	1		
8	(*****)	ELEC.ASSY (SELF WINCH)	1		

www.AutoEPC.com



TM-ZF360 41102210021A FRAME/SL,MANUAL  
PF1010277-00 WINCH (5TON SELF)

1	ウインチ WINCH
2	フック HOOK
3	オペ . ASSY, ソウサバ ルフ OPE. ASSY, CONT. VALVE
4	パイピ ング , ロー PIPING, LOWER
6	ストツバ , タイヤ STOPPER, TIRE
7	プレートASSY, ネーム PLATE ASSY, NAME
8	ハイセンASSY ELEC. ASSY

**TM-ZF360 41102210021A FRAME/SL,MANUAL**

Pos No.	Parts No	Parts Name	Qty	Unit	Technical Data
1	(*****)	WINCH (SELF)	1		
2	(*****)	HOOK (4TON SELF WINCH,OPTION)	1		
3	(*****)	OPE.ASSY,CONT.VALVE (SL)	1		
4	(*****)	PIPING,LOWER (SELF WINCH 4T,OP)	1		
6	31470511000	STOPPER,TIRE	2		
7	(*****)	PLATE ASSY,NAME (SELF WINCH 4T,OPTION)	1		
8	(*****)	ELEC.ASSY (SELF WINCH)	1		

www.AutoEPC.com

TM-ZF360 41102210021A FRAME/SL,MANUAL  
PF1010278-00 WINCH (3TON SELF, REMOCON)

1	ウインチ WINCH
2	フック HOOK
3	オペ . ASSY, ソウサバ ルフ OPE. ASSY, CONT. VALVE
4	パイピ ング , ロー PIPING, LOWER
6	ストツバ , タイヤ STOPPER, TIRE
7	プレートASSY, ネーム PLATE ASSY, NAME
8	ハイセンASSY ELEC. ASSY

**TM-ZF360 41102210021A FRAME/SL,MANUAL**

Pos No.	Parts No	Parts Name	Qty	Unit	Technical Data
1	(*****)	WINCH (SELF 3TX1,OPTION)	1		
2	(*****)	HOOK (3TON SELF WINCH)	1		
3	(*****)	OPE.ASSY,CONT.VALVE (SL)	1		
4	(*****)	PIPING,LOWER (SELF WINCH 3T,OP)	1		
6	31470511000	STOPPER,TIRE	2		
7	(*****)	PLATE ASSY,NAME (SELF WINCH 3T,OPTION)	1		
8	(*****)	ELEC.ASSY (SL)	1		

www.AutoEPC.com

TM-ZF360 41102210021A FRAME/SL,MANUAL  
PF1010279-00 WINCH (4TON SELF, REMOCON)

1	ウインチ WINCH
2	フック HOOK
3	オペ . ASSY, ソウサバ ルフ OPE. ASSY, CONT. VALVE
4	パイピ ング , ロー PIPING, LOWER
6	ストツバ , タイヤ STOPPER, TIRE
7	プレートASSY, ネーム PLATE ASSY, NAME
8	ハイセンASSY ELEC. ASSY

**TM-ZF360 41102210021A FRAME/SL,MANUAL**

Pos No.	Parts No	Parts Name	Qty	Unit	Technical Data
1	(*****)	WINCH (SELF)	1		
2	(*****)	HOOK (4TON SELF WINCH,OPTION)	1		
3	(*****)	OPE.ASSY,CONT.VALVE (SL)	1		
4	(*****)	PIPING,LOWER (SELF WINCH 4T,OP)	1		
6	31470511000	STOPPER,TIRE	2		
7	(*****)	PLATE ASSY,NAME (SELF WINCH 4T,OPTION)	1		
8	(*****)	ELEC.ASSY (SL)	1		

www.AutoEPC.com

1	ウインチ WINCH
2	フック HOOK
3	オペ . ASSY, ソウサハ <sup>レ</sup> ルフ <sup>レ</sup> OPE. ASSY, CONT. VALVE
4	パイピ <sup>ン</sup> グ <sup>ク</sup> , ロー <sup>ワ</sup> PIPING, LOWER
6	ストツハ <sup>レ</sup> , タイヤ STOPPER, TIRE
7	プ <sup>レ</sup> ト ASSY, ネー <sup>ム</sup> PLATE ASSY, NAME
8	ハイセン ASSY ELEC. ASSY
21	スイツチ ホ <sup>ツ</sup> クス SWITCH BOX
22	アンテナ ANTENNA
23	コントロール ホ <sup>ツ</sup> クス CONTROL BOX

**TM-ZF360 41102210021A FRAME/SL,MANUAL**

Pos No.	Parts No	Parts Name	Qty	Unit	Technical Data
1	(*****)	WINCH (SELF 3TX1,OPTION)	1		
2	(*****)	HOOK (3TON SELF WINCH)	1		
3	(*****)	OPE.ASSY,CONT.VALVE (SL)	1		
4	(*****)	PIPING,LOWER (SELF WINCH 3T,OP)	1		
6	31470511000	STOPPER,TIRE	2		
7	(*****)	PLATE ASSY,NAME (SELF WINCH 3T,OPTION)	1		
8	(*****)	ELEC.ASSY (SL)	1		
9	(*****)	RADIO CONTROL (KIT:MITSUMI)	1		

www.AutoEPC.com



1	ウインチ WINCH
2	フック HOOK
3	オペ . ASSY, ソウサバルブ OPE. ASSY, CONT. VALVE
4	パイピング, ロー PIPING, LOWER
6	ストッパ, タイヤ STOPPER, TIRE
7	プレートASSY, ネーム PLATE ASSY, NAME
8	ハイセンASSY ELEC. ASSY
21	スイッチ ボックス SWITCH BOX
22	アンテナ ANTENNA
23	コントロール ボックス CONTROL BOX

**TM-ZF360 41102210021A FRAME/SL,MANUAL**

Pos No.	Parts No	Parts Name	Qty	Unit	Technical Data
1	(*****)	WINCH (SELF)	1		
2	(*****)	HOOK (4TON SELF WINCH,OPTION)	1		
3	(*****)	OPE.ASSY,CONT.VALVE (SL)	1		
4	(*****)	PIPING,LOWER (SELF WINCH 4T,OP)	1		
6	31470511000	STOPPER,TIRE	2		
7	(*****)	PLATE ASSY,NAME (SELF WINCH 4T,OPTION)	1		
8	(*****)	ELEC.ASSY (SL)	1		
9	(*****)	RADIO CONTROL (KIT:MITSUMI)	1		

www.AutoEPC.com

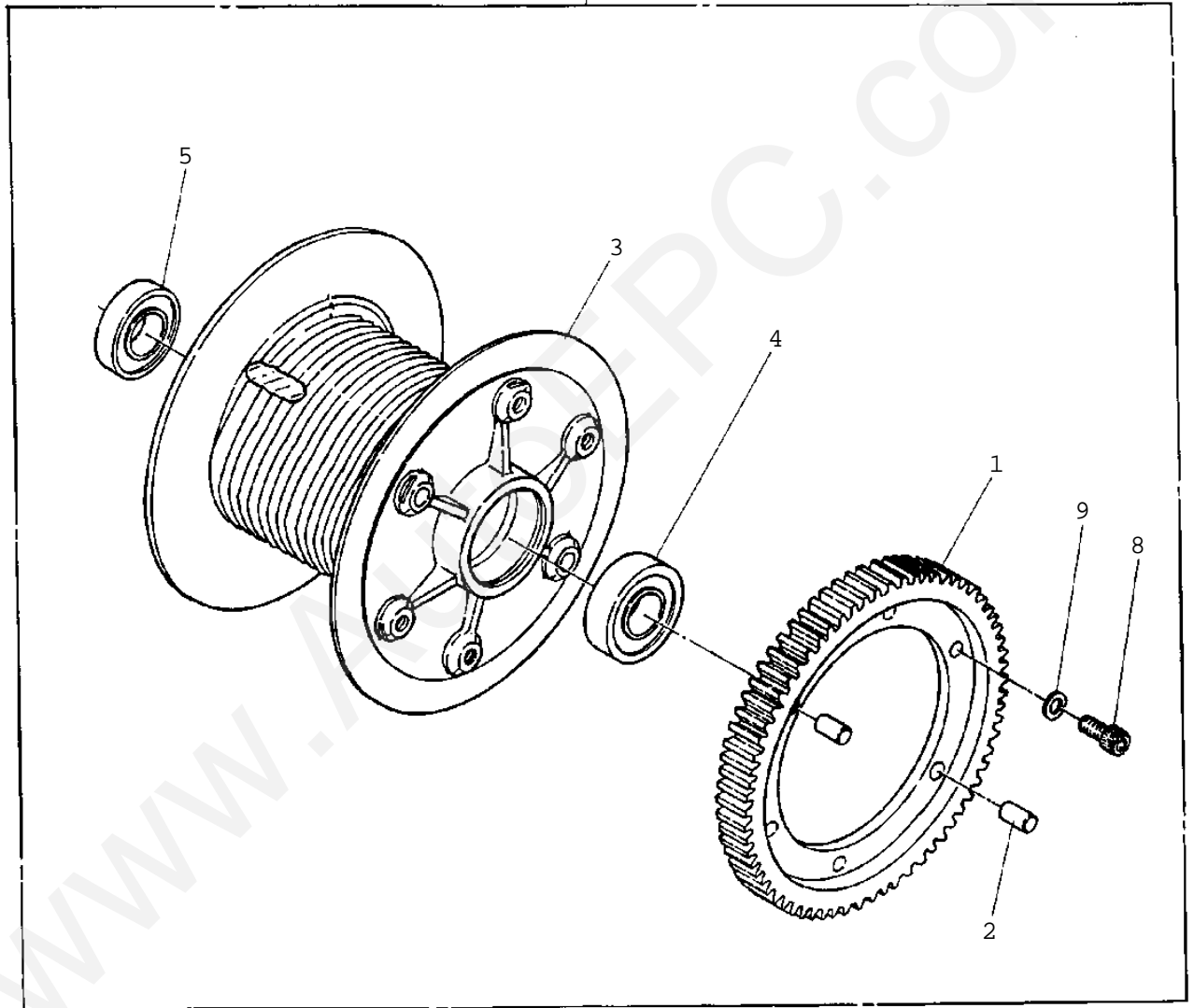
1	ウインチ WINCH
2	サポ ート SUPPORT
3	パイピ ング ,ウインチ PIPING,WINCH
4	ハイセンASSY ELEC.ASSY
5	プ レートASSY ,ネーム PLATE ASSY,NAME
6	デ イテクタ ,デ イソーダ リ ワインド DETECTOR,DISORDERLY WIND
7	ロープ ,ガ イド ROPE,GUIDE
8	デ イテクタ ,オーバ ワインド DETECTOR,OVERWIND
9	フック HOOK

**TM-ZF360 41102210021A FRAME/SL,MANUAL**

Pos No.	Parts No	Parts Name	Qty	Unit	Technical Data	Serial
1	(***** )	WINCH (DRUM FREE,OPTION)	1			
2	(***** )	SUPPORT (DRUM FREE,OPTION)	1			
3	(***** )	PIPING,WINCH (DRUM FREE,OPTION)	1			
4	(***** )	ELEC.ASSY (DRUM FREE,OP.)	1			
5	(***** )	PLATE ASSY,NAME (DRUM FREE)	1			
6	(***** )	DETECTOR,DISORDERLY WINDING	1			
7	(***** )	ROPE,GUIDE (OPTION)	1			
8	(***** )	DETECTOR,OVER WINDING (OPTION)	1			
9	36091920000	HOOK (DRUM FREE,OPTION)	1			

www.AutoEPC.com

20



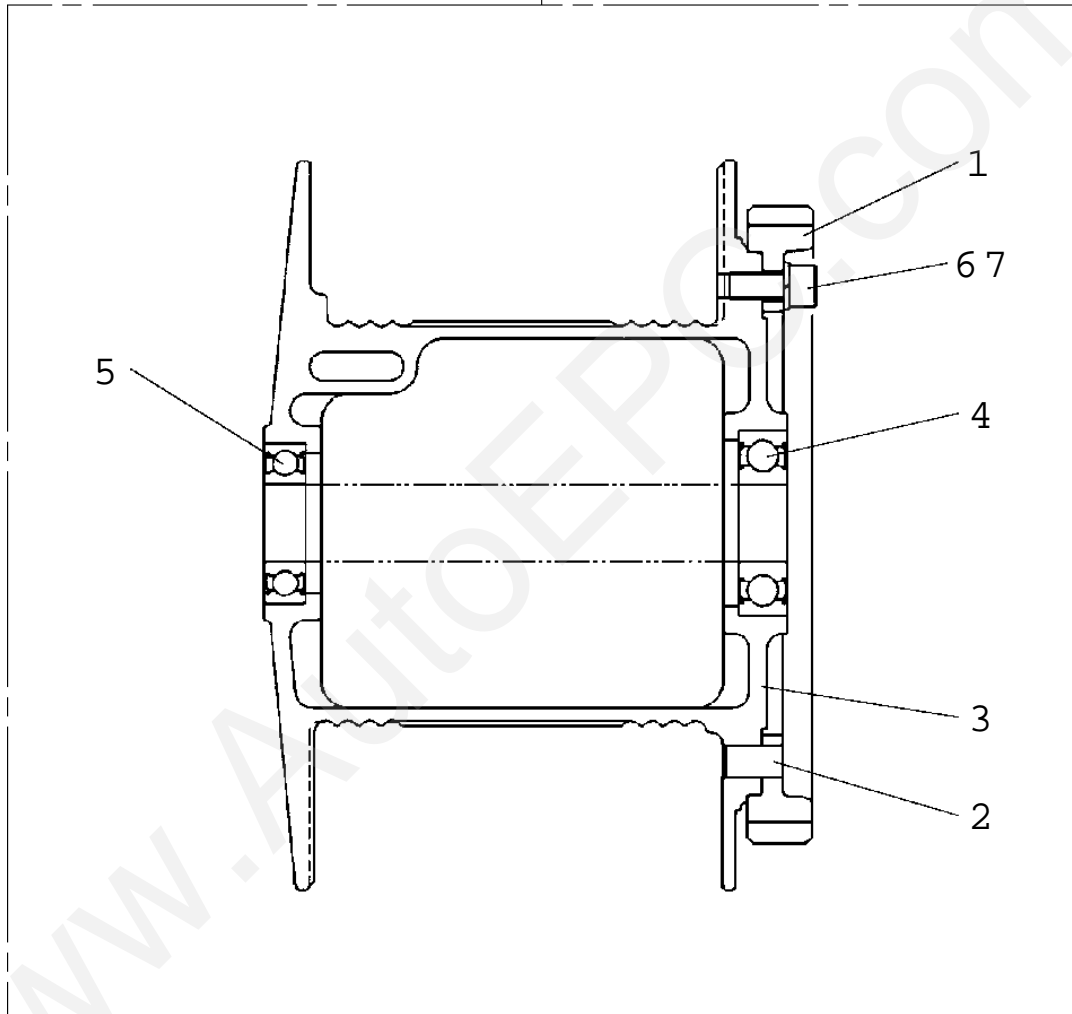
**TM-ZF360 41102210021A FRAME/SL,MANUAL**

Pos No.	Parts No	Parts Name	Qty	Unit	Technical Data	Serial No (Start)
1	31310237510	GEAR, SPUR	1			
2	31310005010	PIN	2			
3	31310617510	DRUM	1			
4	80516006306	BEARING, BALL	1			
5	80516006206	BEARING, BALL	1			
8	31310617520	BOLT, HEXAGON SOCKET	4		M10X25	
9	90302041001	WASHER, SPRING	4		10	
20	31310610100	DRUM, WINCH	1			

www.AutoEPC.com

TM-ZF360 41102210021A FRAME/SL, MANUAL  
PF1020035-00 DRUM, WINCH

100



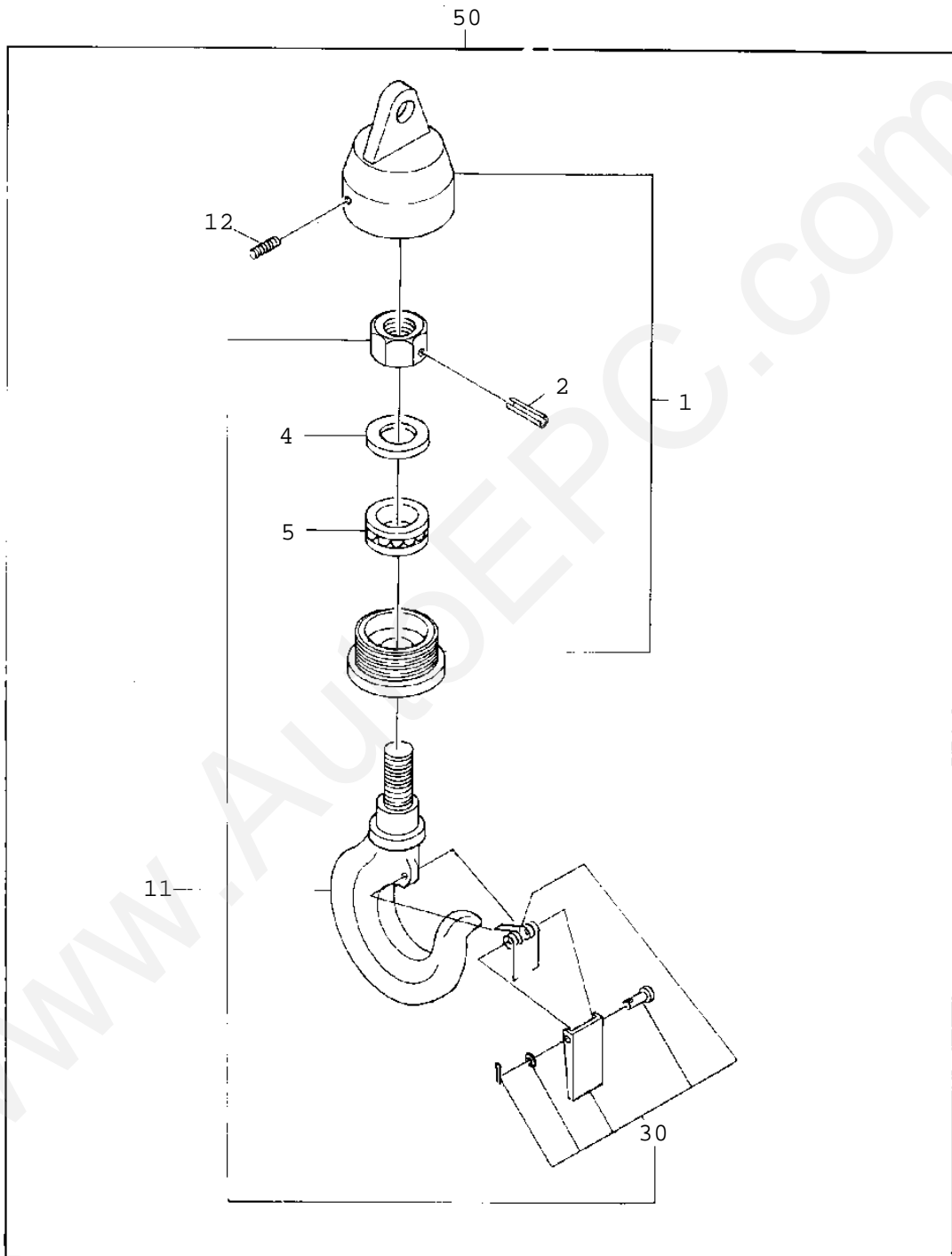
**TM-ZF360 41102210021A FRAME/SL,MANUAL**

Pos No.	Parts No	Parts Name	Qty	Unit	Technical Data	Serial No (Start)
1	31310617530	GEAR, SPUR	1			
2	31310617540	PIN	2			
3	31310617550	DRUM	1			
4	80516006306	BEARING, BALL	1			
5	80516006206	BEARING, BALL	1			
6	90172410025	BOLT, HEXAGON SOCKET	4		M10X25	
7	90302041001	WASHER, SPRING	4		10	
100	31310610300	DRUM, WINCH	1			

www.AutoEPC.com



TM-ZF360 41102210021A FRAME/SL, MANUAL  
PF1050063-01 HOOK (DRUM FREE, OPTION)

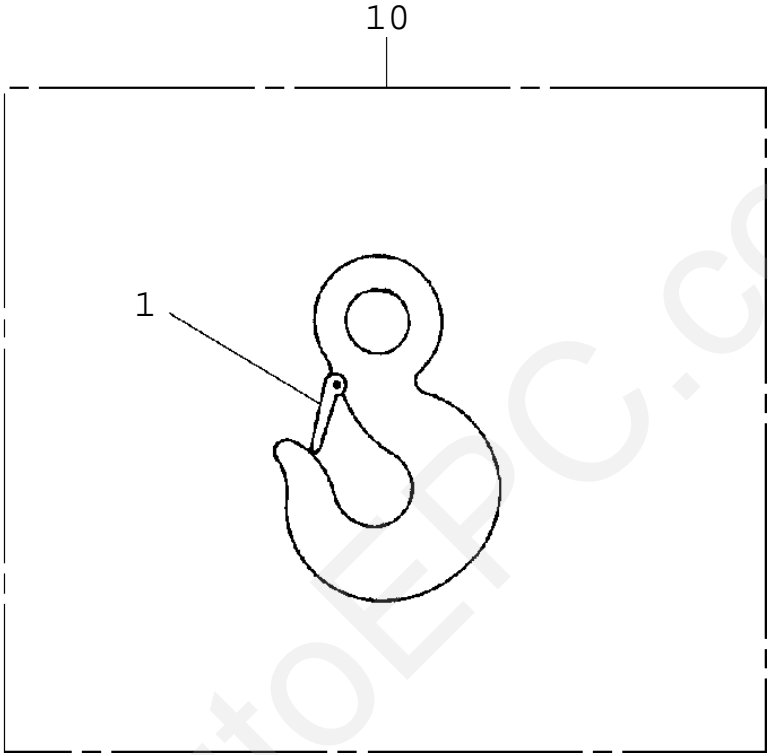


**TM-ZF360 41102210021A FRAME/SL,MANUAL**

Pos No.	Parts No	Parts Name	Qty	Unit	Technical Data	Serial No (Star
1	36091929520	BODY ASSY	1			
2	80720104028	PIN, SPRING	1		4X28	
4	90303071801	WASHER, PLAIN	1		18	
5	12231505000	BEARING, PLAIN	1			
11	36091929510	HOOK ASSY	1			
12	90710008160	SCREW, SET	1		M8X16	
30	36094049510	STOPPER ASSY	1			
50	36091920000	HOOK (DRUM FREE, OPTION)	1			

www.AutoEPC.com

TM-ZF360 41102210021A FRAME/SL, MANUAL  
PF1050126-01 HOOK

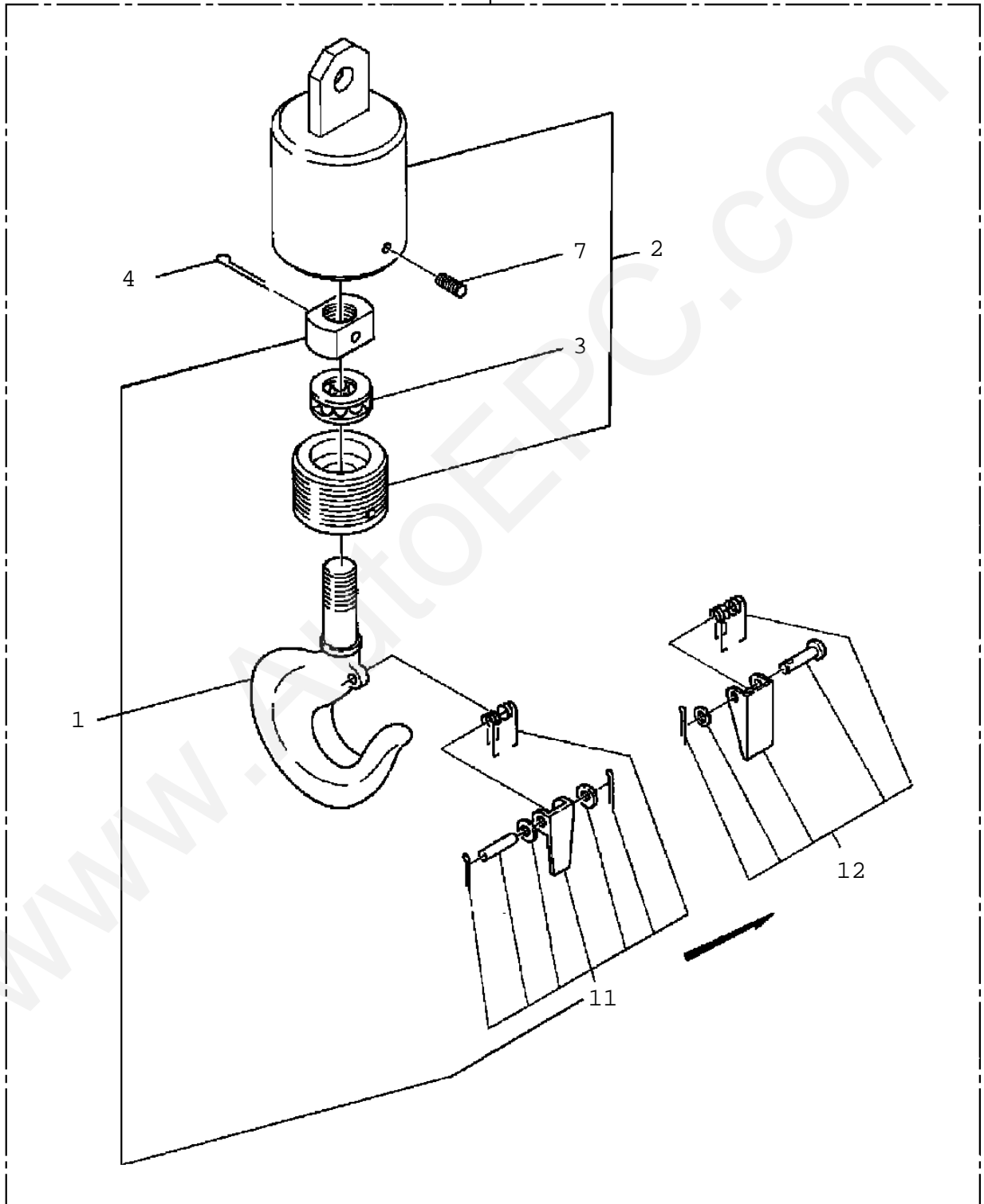


**TM-ZF360 41102210021A FRAME/SL,MANUAL**

Pos No.	Parts No	Parts Name	Qty	Unit	Technical Data	Serial No (Start)	Serial :
1	53037260010	STOPPER ASSY	1				
10	53037260000	HOOK	1				

www.AutoEPC.com

20

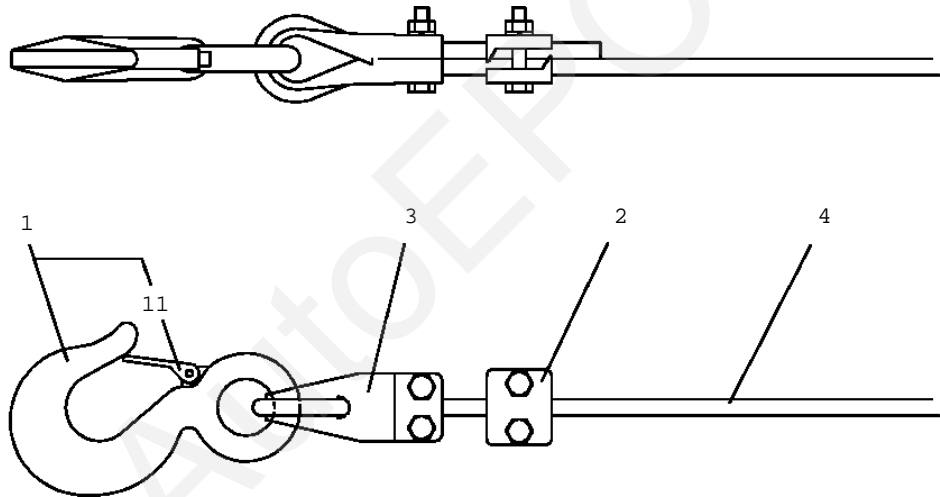


**TM-ZF360 41102210021A FRAME/SL,MANUAL**

Pos No.	Parts No	Parts Name	Qty	Unit	Technical Data	Serial No (S
1	14211695513	HOOK ASSY	1			
2	36090239510	BODY ASSY	1			
3	80500051205	BEARING,BALL	1			
4	80136350060	PIN,SPLIT	1		5X60	
7	90710008200	SCREW,SET	1		M8X20	
12	36094049510	STOPPER ASSY	1			
20	36090230000	HOOK (1-PART LINE ,OPTION)	1			

www.AutoEPC.com

TM-ZF360 41102210021A FRAME/SL, MANUAL  
PF1050223-02 HOOK (3TON SELF WINCH)



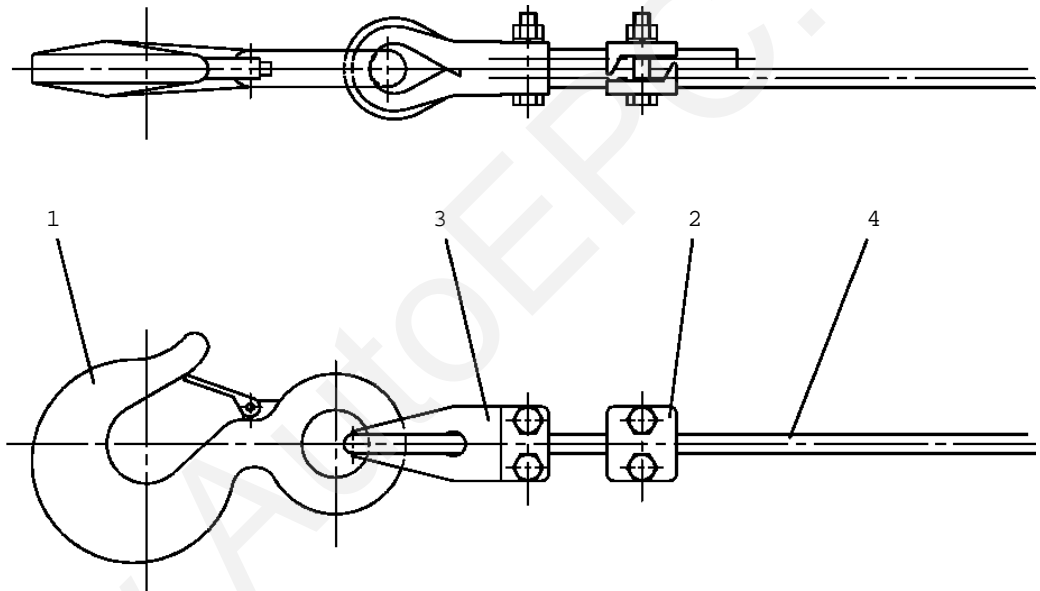
**TM-ZF360 41102210021A FRAME/SL,MANUAL**

Pos No.	Parts No	Parts Name	Qty	Unit	Technical Data	Serial
1	36090610000	HOOK (WITH STOPPER)	1			
2	83151211201	CLIP	1			
3	83151111201	CLIP	1			
4	37001800930	ROPE,WIRE	1		12X23M	
11	36090615010	STOPPER ASSY (WITH SPRING & PIN)	1			

www.AutoEPC.com



TM-ZF360 41102210021A FRAME/SL, MANUAL  
PF1050224-01 HOOK (4TON SELF WINCH, OPTION)

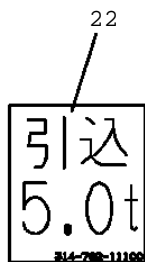
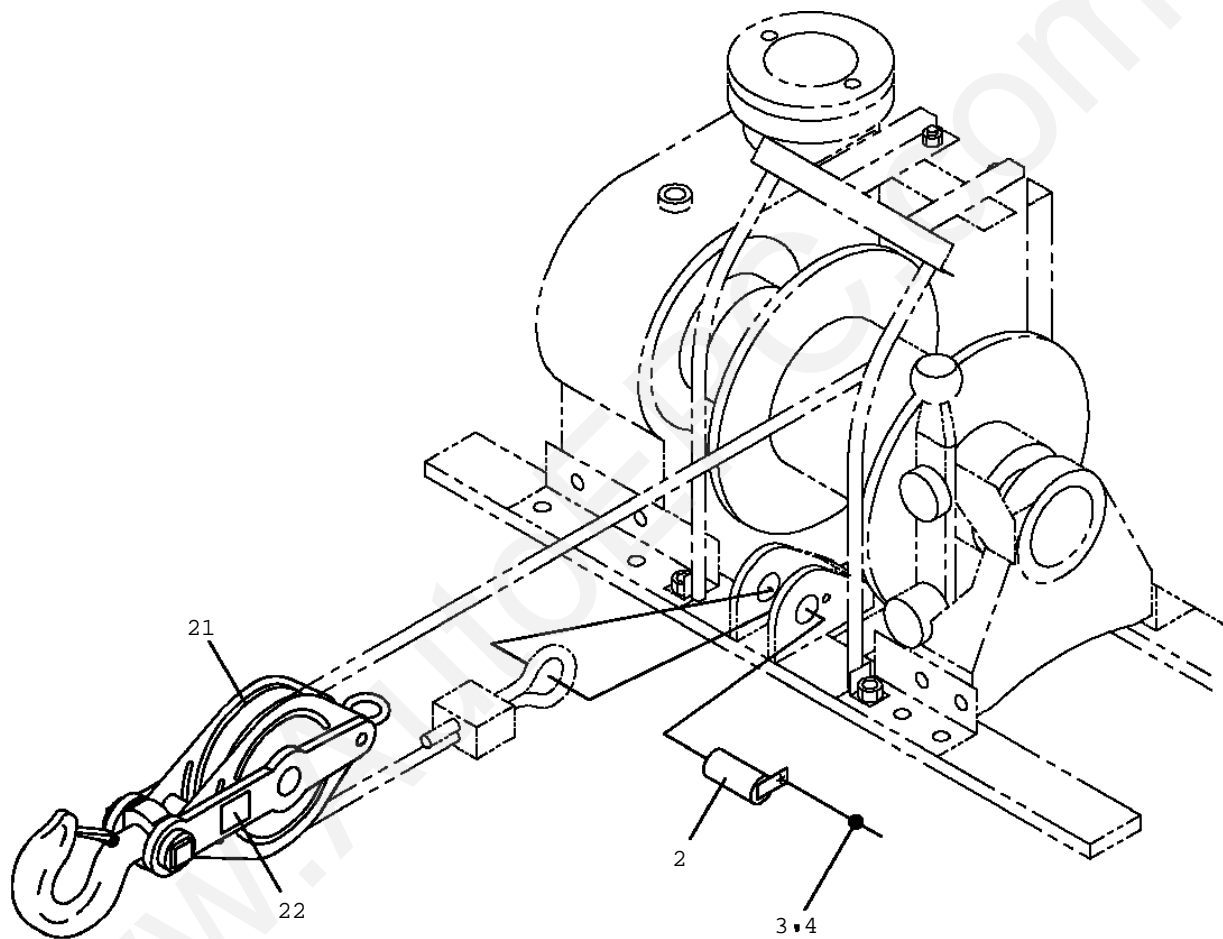


**TM-ZF360 41102210021A FRAME/SL,MANUAL**

Pos No.	Parts No	Parts Name	Qty	Unit	Technical Data	Serial No (Start)	Serial No
1	53037260000	HOOK	1				
2	83151211401	CLIP	1				
3	83151111401	CLIP	1				
4	37001804200	ROPE,WIRE	1		14X23M		

www.AutoEPC.com

TM-ZF360 41102210021A FRAME/SL, MANUAL  
PF1050311-01 HOOK (3TON SL WINCH, 2-PART LINE/MOUNT)



**TM-ZF360 41102210021A FRAME/SL,MANUAL**

Pos No.	Parts No	Parts Name	Qty	Unit	Technical Data	Serial No (Start)	Serial
2	50620119000	PIN	1				
3	90101208014	BOLT	1		M8X14		
4	90302040801	WASHER,SPRING	1		8		
21	36090710000	HOOK (5TON)	1				
22	31478211100	PLATE,NAME	1				

www.AutoEPC.com

TM-ZF360 41102210021A FRAME/SL,MANUAL  
PF1050447-00 HOOK

1	フック HOOK
2	プレートASSY,ネーム PLATE ASSY,NAME

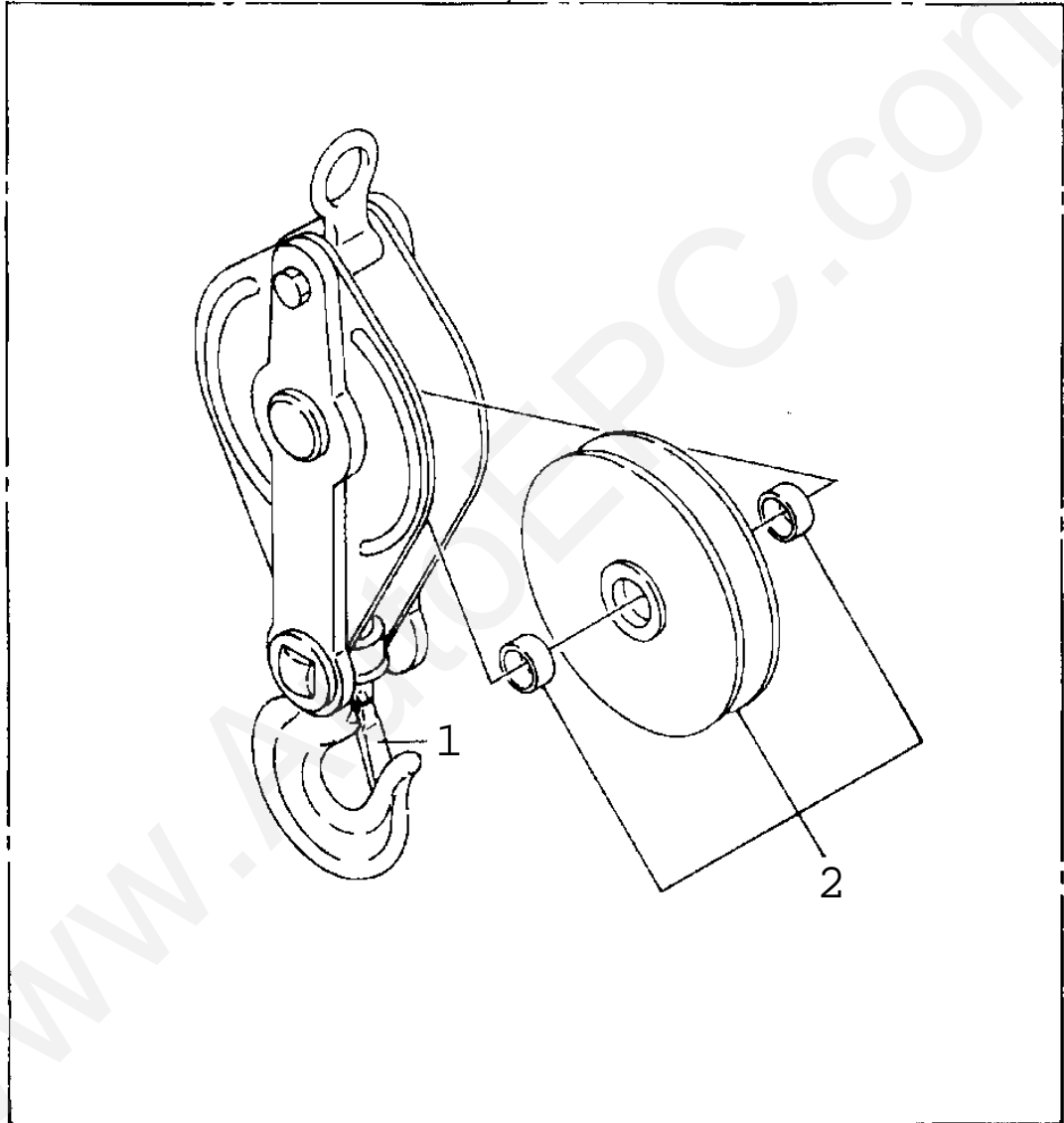
**TM-ZF360 41102210021A FRAME/SL,MANUAL**

Pos No.	Parts No	Parts Name	Qty	Unit	Technical Data	Serial No
1	36090230000	HOOK (1-PART LINE ,OPTION)	1			
2	(***** *****)	PLATE ASSY,NAME (HOOK)	1			

www.AutoEPC.com

TM-ZF360 41102210021A FRAME/SL, MANUAL  
PF1050540-02 HOOK (5TON)

10



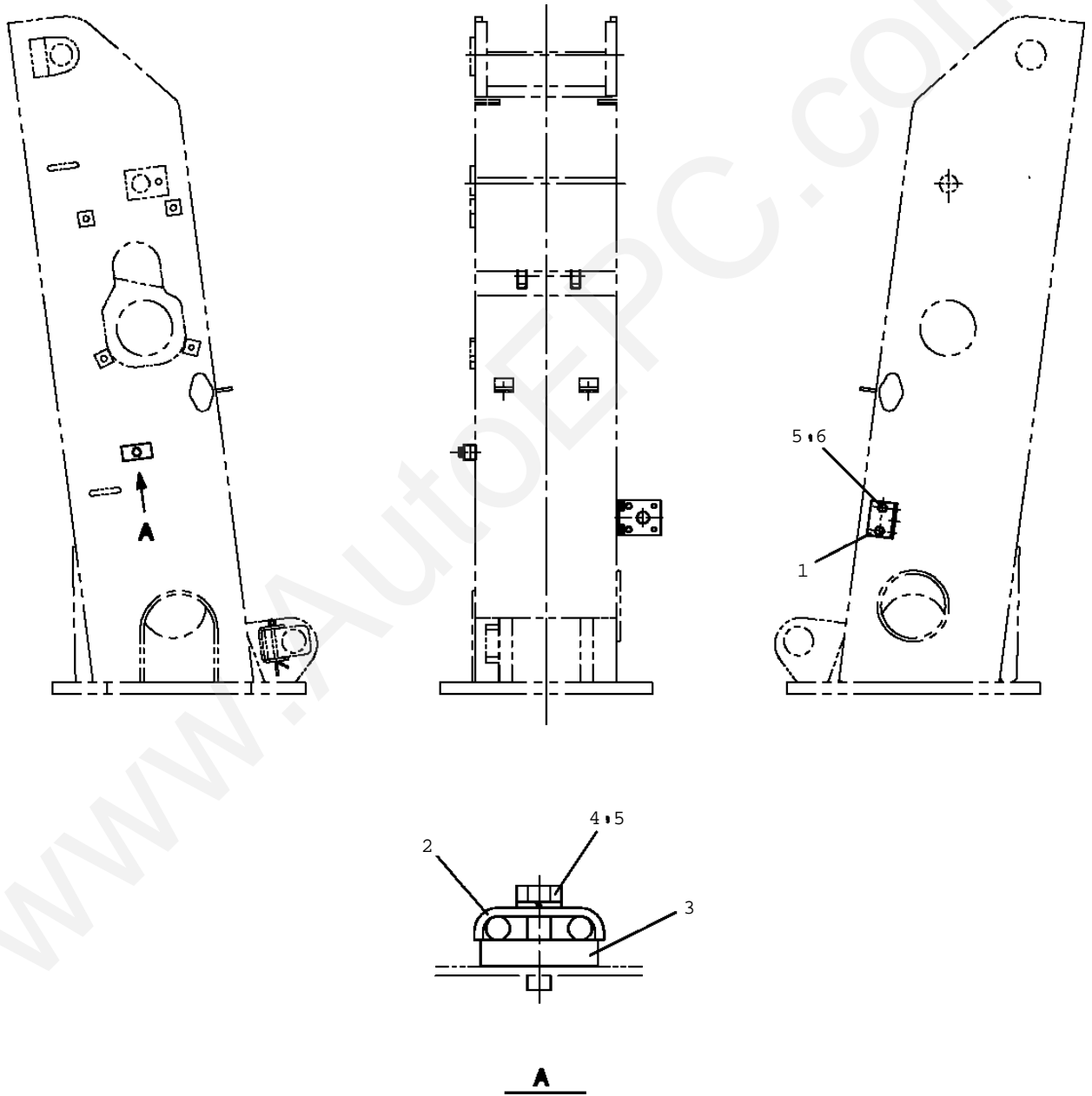
**TM-ZF360 41102210021A FRAME/SL,MANUAL**

Pos No.	Parts No	Parts Name	Qty	Unit	Technical Data	Serial No (Start)	Serial :
1	36090715020	STOPPER ASSY	1				
2	36090715010	SHEAVE ASSY	1				
10	36090710000	HOOK (5TON)	1				

www.AutoEPC.com



TM-ZF360 41102210021A FRAME/SL, MANUAL  
PF1080001-00 SUPPORT (DRUM FREE, OPTION)

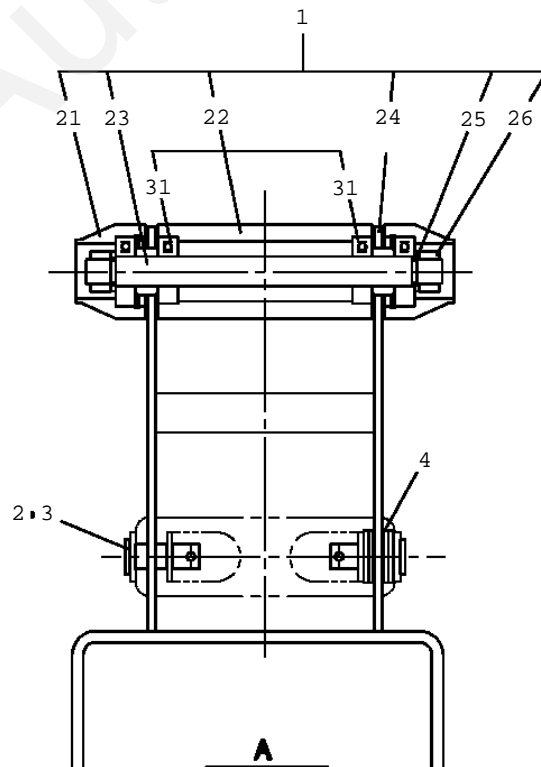
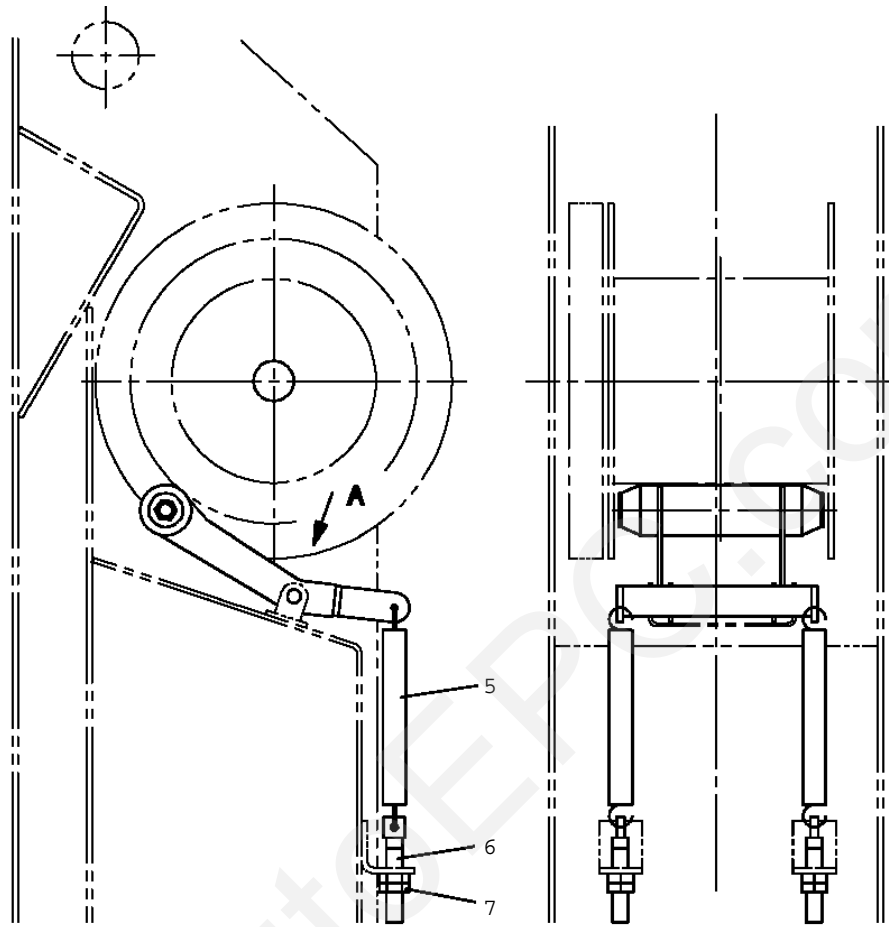


**TM-ZF360 41102210021A FRAME/SL,MANUAL**

Pos No.	Parts No	Parts Name	Qty	Unit	Technical Data	Serial No (Start)	Serial
1	31473742100	SUPPORT	1				
2	37000600710	SUPPORT	1				
3	31640810190	PLATE	1				
4	90101208030	BOLT	1		M8X30		
5	90302040801	WASHER,SPRING	3		8		
6	90101208016	BOLT	2		M8X16		

www.AutoEPC.com

TM-ZF360 41102210021A FRAME/SL, MANUAL  
PF1180053-00 DETECTOR, DISORDERLY WINDING

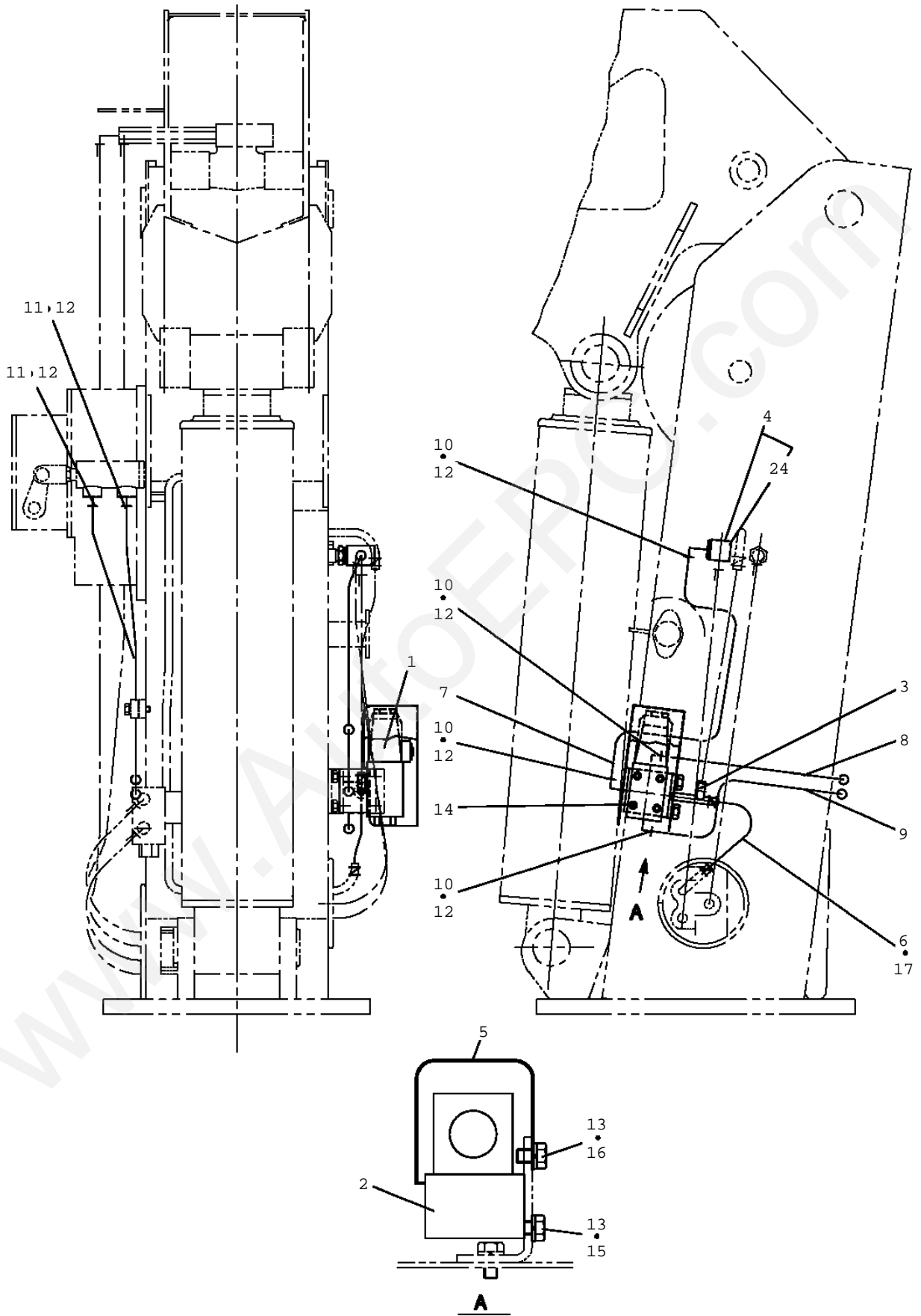


**TM-ZF360 41102210021A FRAME/SL,MANUAL**

Pos No.	Parts No	Parts Name	Qty	Unit	Technical Data	Serial No (Start)	Serial :
1	31440220100	ROLLER ASSY	1				
2	37000105740	PIN	2				
3	80136332020	PIN,SPLIT	2		3.2X20		
4	90303071001	WASHER,PLAIN	4		10		
5	37001300000	SPRING	2				
6	14124015000	BOLT	2				
7	90201201200	NUT	4		M12		
21	37001107470	ROLLER ASSY	2				
22	37001107690	ROLLER ASSY	1				
23	31440220300	PIN	1				
24	31440220150	SUPPORT	1				
25	31440150350	WASHER,PLAIN	2				
26	90286001007	NUT	2		M10 P=1.25		
31	80516006001	BEARING,BALL	4				

www.AutoEPC.com

TM-ZF360 41102210021A FRAME/SL, MANUAL  
PF1200188-01 PIPING, WINCH (DRUM FREE, OPTION)

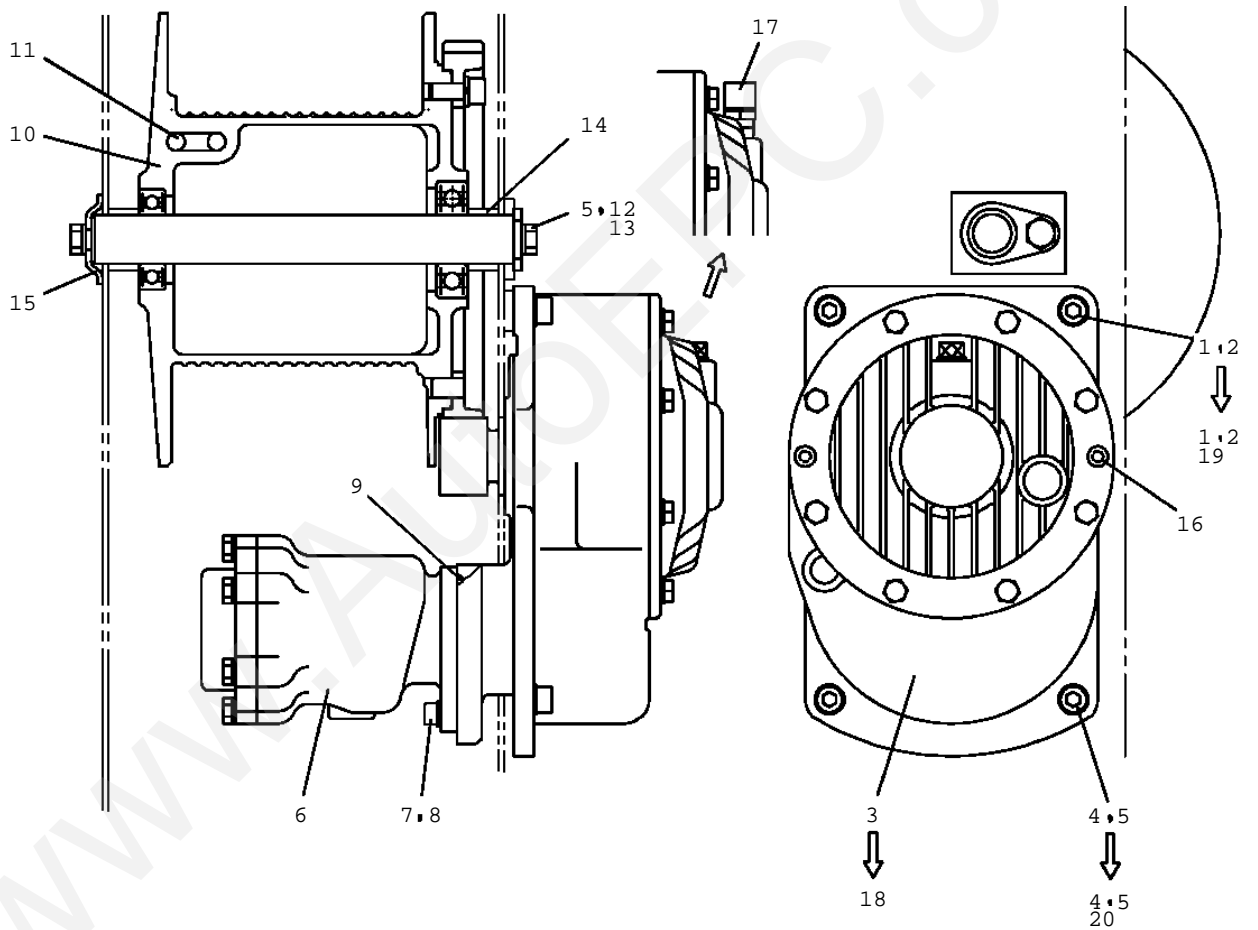


**TM-ZF360 41102210021A FRAME/SL,MANUAL**

Pos No.	Parts No	Parts Name	Qty	Unit	Technical Data	Serial No (Start)
1	36642760000	VALVE, SOLENOID	1			
2	31473743100	JOINT	1			
3	31473743200	JOINT	1			
4	37000924420	JOINT	1			
5	31473743300	COVER	1			
6	91803600200	CLIP	2		D=13-20	
7	81408000081	PIPE, STEEL	1	M	8X1.2T	
8	81408000081	PIPE, STEEL	1	M	8X1.2T	
9	81408000081	PIPE, STEEL	1	M	8X1.2T	
10	80303210040	FITTING, ELBOW	4			
11	80302120040	FITTING	2		POA08PF1/4	
12	91002801100	O-RING	6		1B P11	
13	90302040801	WASHER, SPRING	4		8	
14	90131505045	BOLT, HEXAGON SOCKET	4		M5X45	
15	90101208016	BOLT	2		M8X16	
16	90101208012	BOLT	2		M8X12	
17	37002511730	HOSE	1		L=225	
24	91002801400	O-RING	1		1B P14	

www.AutoEPC.com

TM-ZF360 41102210021A FRAME/SL, MANUAL  
PF1400204-06 MOUNT, WINCH



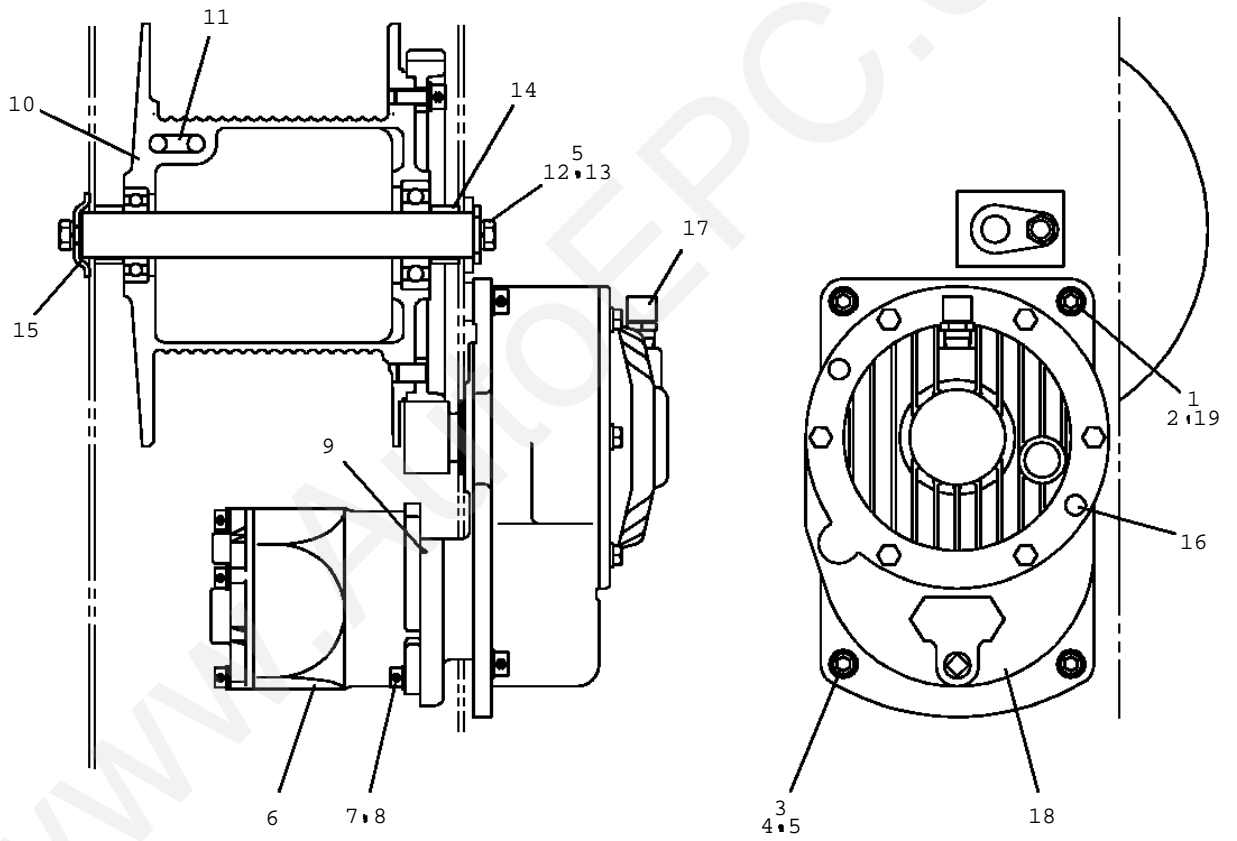
**TM-ZF360 41102210021A FRAME/SL,MANUAL**

Pos No.	Parts No	Parts Name	Qty	Unit	Technical Data	Serial No (Star
1	37001500000	BOLT	1			
2	90302041201	WASHER,SPRING	1		12	
4	90172110028	BOLT,HEXAGON SOCKET	3		M10X28	
5	90302041001	WASHER,SPRING	5		10	
6	36661910000	MOTOR,HYDRAULIC (WINCH)	1			
7	90172108025	BOLT,HEXAGON SOCKET	2		M8X25	
8	90302400801	WASHER,SPRING (8)	2			
9	91001206000	O-RING	1		1A G60	
10	31310610100	DRUM,WINCH	1			
	31310610300	DRUM,WINCH	1			
11	37002600190	WEDGE	1		8	
12	37000134390	PIN	1			
13	90101210020	BOLT	2		M10X20	
14	37000300350	SPACER	2		L=18.5	
15	31310391000	COVER	1			
16	82440901025	PLUG	2			
17	31310610500	BREATHER,AIR	1			
18	36072310000	WINCH (HARTYS)	1			EE5740
	36072620000	WINCH (HARTYS)	1			EE5740
	36072250000	WINCH (OOKUBO)	1			EE5740
	36073430000	WINCH (OOKUBO)	1			EE5740
	36073080000	WINCH (Y.G.TEC)	1			EE5740
19	90303071201	WASHER,PLAIN	1		12	EE5740
20	90303071001	WASHER,PLAIN	3		10	EE5740

www.AutoEPC.com



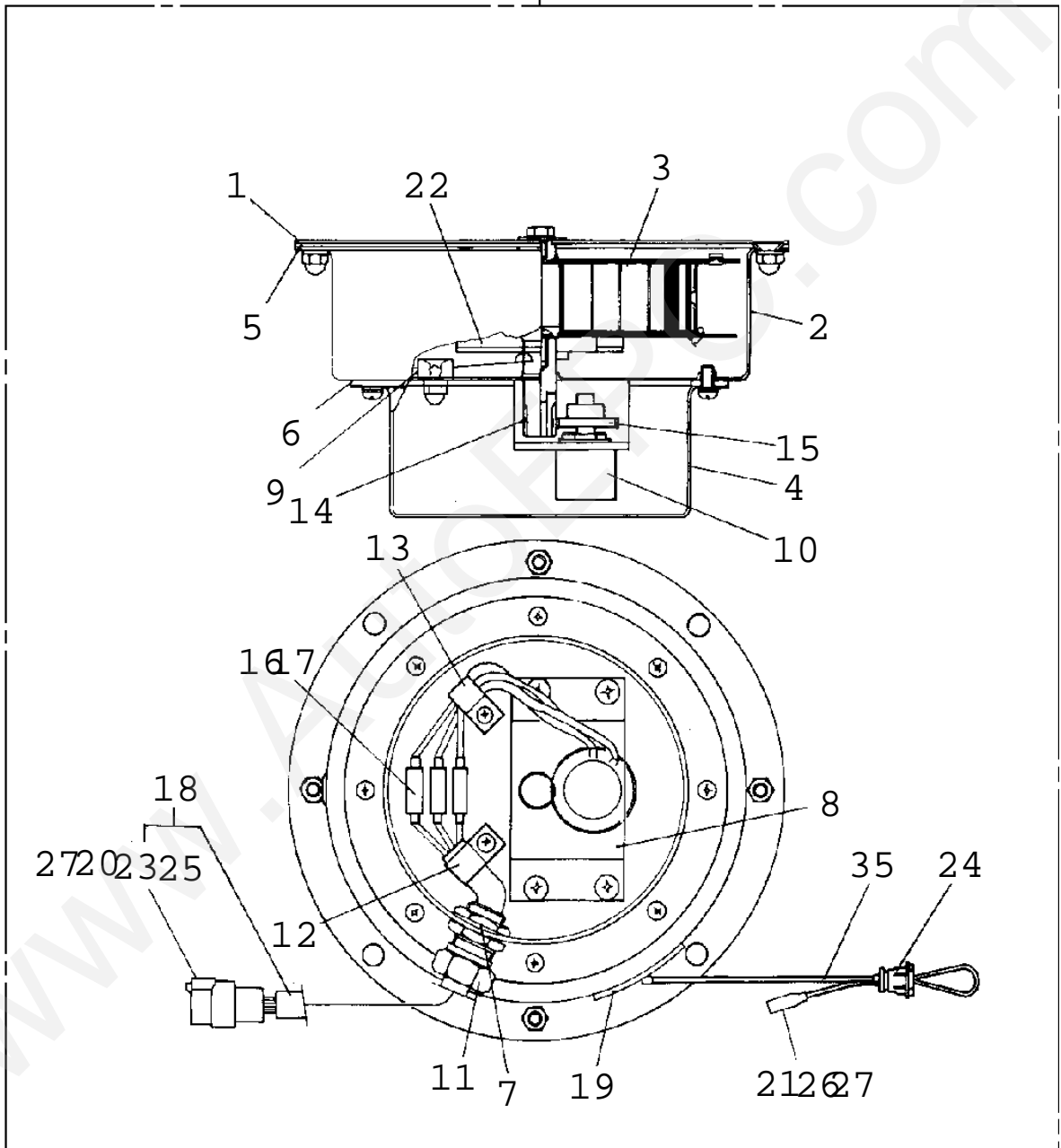
TM-ZF360 41102210021A FRAME/SL, MANUAL  
PF1400262-01 MOUNT, WINCH



**TM-ZF360 41102210021A FRAME/SL,MANUAL**

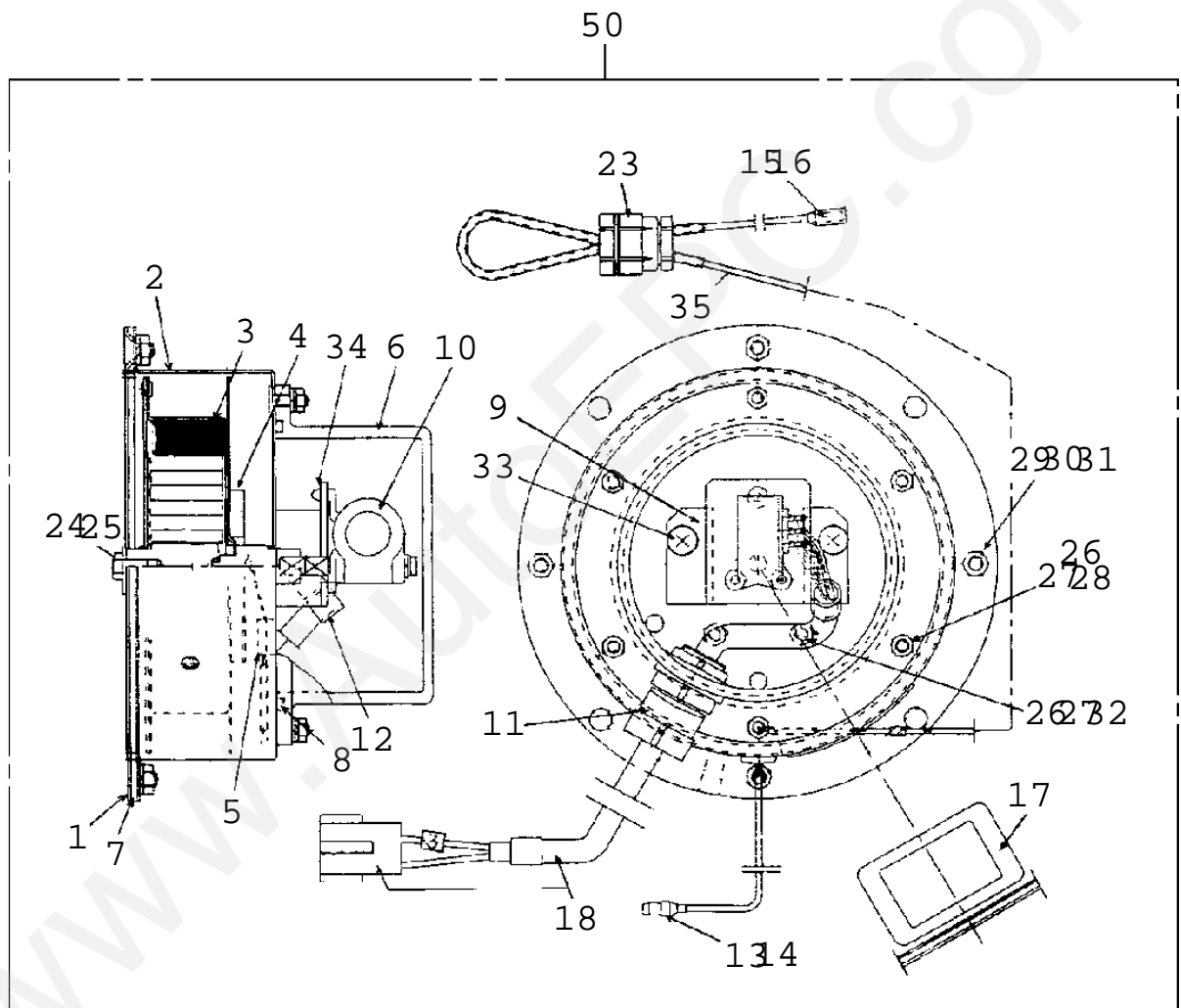
Pos No.	Parts No	Parts Name	Qty	Unit	Technical Data	Serial No (Star
1	37001500000	BOLT	1			
2	90302041201	WASHER,SPRING	1		12	
3	90303071001	WASHER,PLAIN	3		10	
4	90172110028	BOLT,HEXAGON SOCKET	3		M10X28	
5	90302041001	WASHER,SPRING	5		10	
6	36662180000	MOTOR,HYDRAULIC (WINCH)	1			
7	90172108025	BOLT,HEXAGON SOCKET	2		M8X25	
8	90302400801	WASHER,SPRING (8)	2			
9	91001206000	O-RING	1		1A G60	
10	31310610100	DRUM,WINCH	1			
11	37002600190	WEDGE	1		8	
12	37000134390	PIN	1			
13	90101210020	BOLT	2		M10X20	
14	37000300350	SPACER	2		L=18.5	
15	31310391000	COVER	1			
16	82401800080	PLUG (FOR M8)	2			
17	31310610500	BREATHER,AIR	1			
18	36072250000	WINCH (OOKUBO)	1			
	36072620000	WINCH (HARTYS)	1			
	36073430000	WINCH (OOKUBO)	1			
	36073080000	WINCH (Y.G.TEC)	1			
	36073810000	WINCH ASSY (Y.G.TEC)	1			KA3275
19	90303071201	WASHER,PLAIN	1		12	
	90303101201	WASHER,PLAIN	1		12	EP1034

60



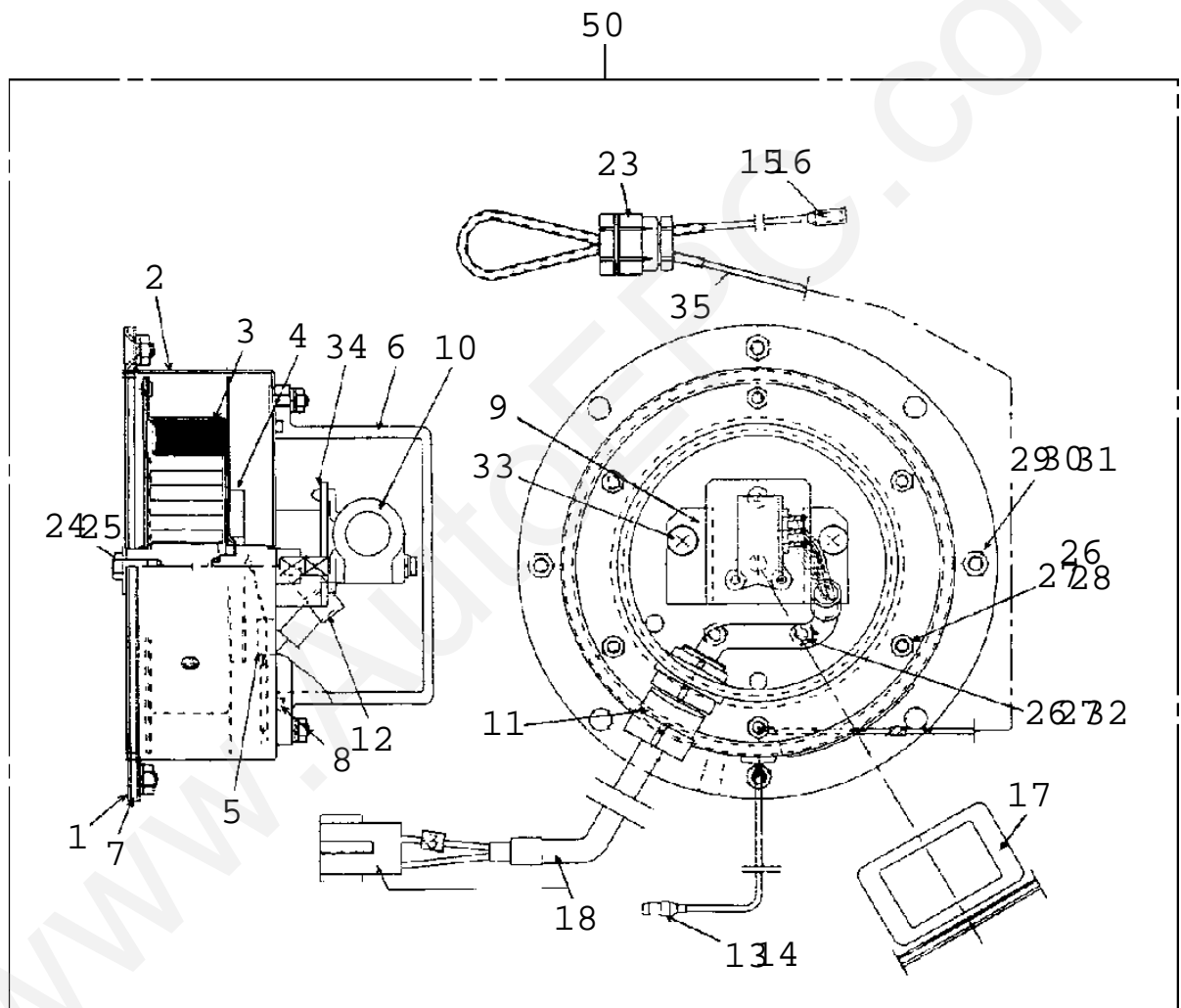
**TM-ZF360 41102210021A FRAME/SL,MANUAL**

Pos No.	Parts No	Parts Name	Qty	Unit	Technical Data	Serial No (
1	36130235010	PLATE (BASE)	1			
2	36130925010	CASE	1			
3	36130595010	DRUM ASSY	1			
4	36130805020	COVER	1			
5	31370105030	PACKING	1			
6	31370005030	PACKING	1			
7	32360005220	PACKING	1			
8	36131265010	BRACKET	1			
9	33371277520	CONTACTOR ASSY	1			
10	36130235060	POTENTIOMETER	1			
11	32360005170	CLAMP (CORD)	1			
12	36130045090	CLIP (NYLON)	1			
13	32360005150	CLIP (NYLON)	1			
14	36130235070	GEAR (A)	1			
15	36130875010	GEAR (B)	1			
16	36130675020	TERMINAL	3			
17	36130675030	TERMINAL	3			
18	36130805010	CABLE ASSY (WITH CONNECOTR)	1		L=2950	
19	31370005080	GUIDE (CORD)	1			
20	82100000969	PLUG	1			
21	82100002282	CONNECTOR	1			
22	32360005050	RING,SLIP	1			
23	82100002290	CONNECTOR	1			
24	82100001406	CONNECTOR (SEAL)	1			
25	82100002332	PLUG	1			
26	82100002328	PLUG	1			
27	82100002258	TERMINAL	6			
35	82100000080	CORD (1-LINE)	14	M		
60	36130800000	DETECTOR,BOOM LENGTH	1			



**TM-ZF360 41102210021A FRAME/SL,MANUAL**

Pos No.	Parts No	Parts Name	Qty	Unit	Technical Data	Serial
1	36131315010	PLATE (BASE)	1			
2	36131315020	CASE	1			
3	36131315030	DRUM ASSY	1			
4	36131315040	RING ASSY (CONTACT)	1			
5	32360005060	CONTACTOR ASSY	1			
6	36131315050	CASE (POTENTIO)	1			
7	36131315060	PACKING	1			
8	91001209000	O-RING	1		1A G90	
9	36131315070	BRACKET	1			
10	36131315080	POTENTIOMETER	1			
11	36130915030	SEAL	1			
12	36130045090	CLIP (NYLON)	1			
13	82100000192	TERMINAL	1			
14	82100000182	INSULATOR	1			
15	82100000191	TERMINAL	1			
16	82100000183	INSULATOR	1			
17	31370005080	GUIDE (CORD)	1			
18	36131315110	CORD ASSY	1			
23	82100001406	CONNECTOR (SEAL)	1			
24	90101205008	BOLT	1		M5X8	
25	36160615020	WASHER	1			
26	90201200400	NUT	8		M4	
27	90302040401	WASHER, SPRING	8		4	
28	90303070401	WASHER, PLAIN	6		4	
29	80175105012	SCREW, MACHINE	4		M5X12	
30	90201200500	NUT	4		M5	
31	90302040501	WASHER, SPRING	4		5	
32	80175104012	SCREW, MACHINE	2		M4X12	
33	80172105008	SCREW, MACHINE	2		M5X8	
34	80172103006	SCREW, MACHINE	3		M3X6	
35	82100000080	CORD (1-LINE)	13	M		
50	36131310000	DETECTOR, BOOM LENGTH (BML, OPTION)	1			

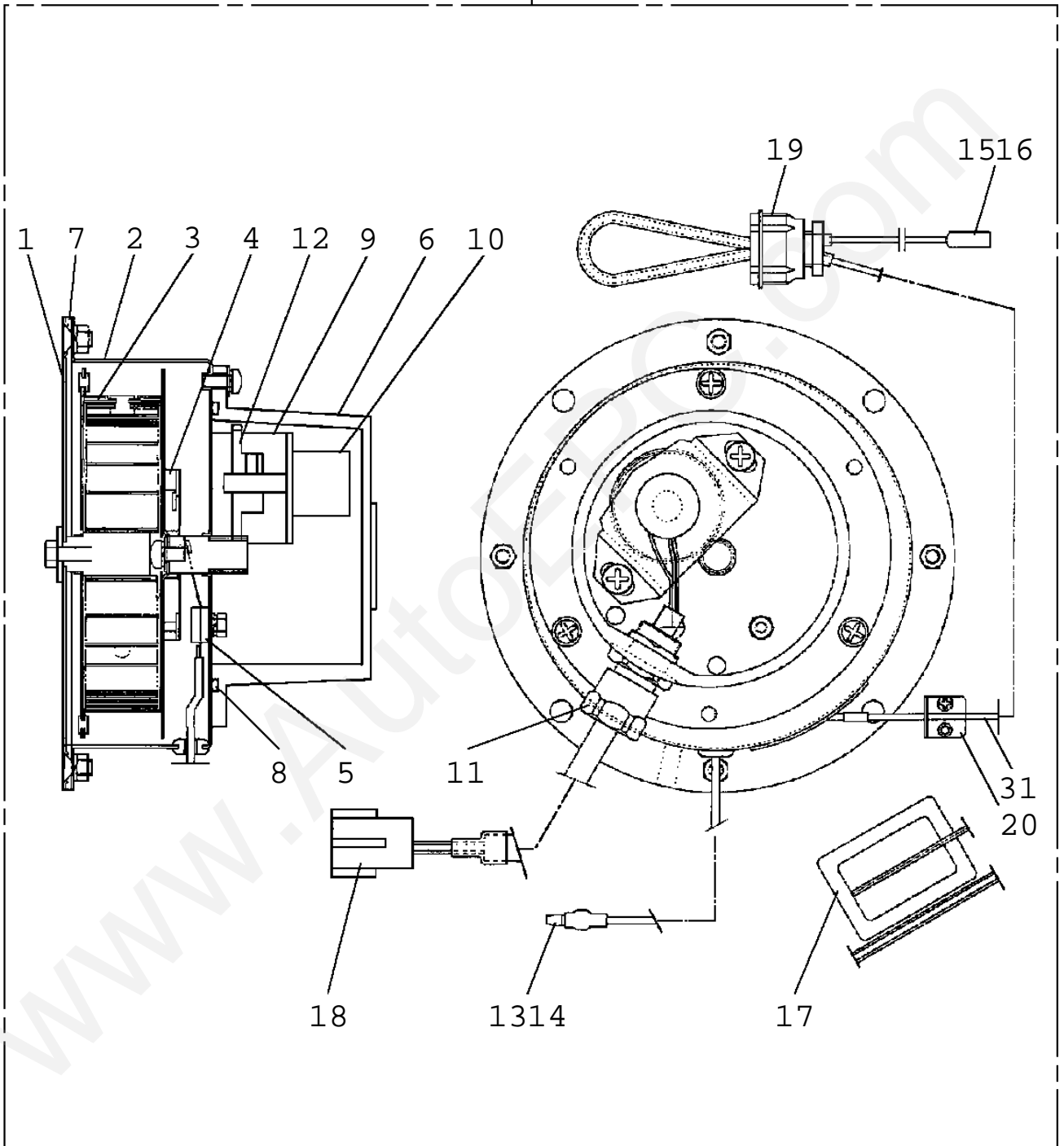


**TM-ZF360 41102210021A FRAME/SL,MANUAL**

Pos No.	Parts No	Parts Name	Qty	Unit	Technical Data	Serial
1	36130235010	PLATE (BASE)	1			
2	36131385010	CASE	1			
3	36131385020	DRUM ASSY	1			
4	36131315040	RING ASSY (CONTACT)	1			
5	32360005060	CONTACTOR ASSY	1			
6	36131315050	CASE (POTENTIO)	1			
7	36131195020	PACKING	1			
8	91001209000	O-RING	1		1A G90	
9	36131315070	BRACKET	1			
10	36131315080	POTENTIOMETER	1			
11	36130915030	SEAL	1			
12	36130045090	CLIP (NYLON)	1			
13	82100000192	TERMINAL	1			
14	82100000182	INSULATOR	1			
15	82100000191	TERMINAL	1			
16	82100000183	INSULATOR	1			
17	31370005080	GUIDE (CORD)	1			
18	36131315110	CORD ASSY	1			
23	82100001406	CONNECTOR (SEAL)	1			
24	90101205008	BOLT	1		M5X8	
25	36160615020	WASHER	1			
26	90201200400	NUT	8		M4	
27	90302040401	WASHER, SPRING	8		4	
28	90303070401	WASHER, PLAIN	6		4	
29	80175105012	SCREW, MACHINE	4		M5X12	
30	90201200500	NUT	4		M5	
31	90302040501	WASHER, SPRING	4		5	
32	80175104012	SCREW, MACHINE	2		M4X12	
33	80172105008	SCREW, MACHINE	2		M5X8	
34	80172103006	SCREW, MACHINE	3		M3X6	
35	82100000080	CORD (1-LINE)	17	M		
50	36131380000	DETECTOR, BOOM LENGTH (BML, OPTION)	1			



100

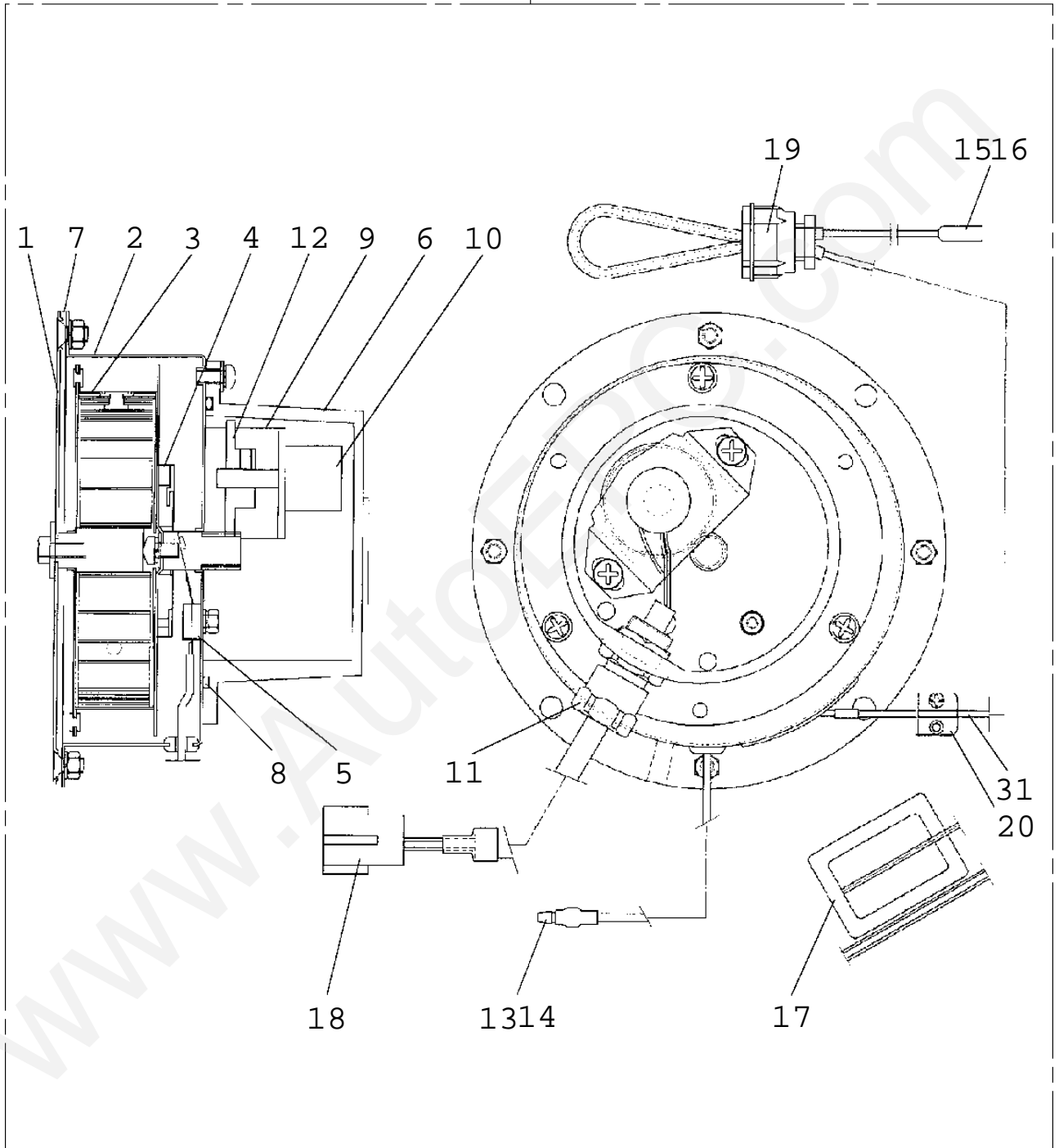


**TM-ZF360 41102210021A FRAME/SL, MANUAL**

Pos No.	Parts No	Parts Name	Qty	Unit	Technical Data	Serial No (Start)
1	36131315010	PLATE (BASE)	1			
2	36131745020	CASE	1			
3	36131745030	DRUM ASSY	1			
4	32360005050	RING, SLIP	1			
5	32360005060	CONTACTOR ASSY	1			
6	36131745040	CASE	1			
7	36131745050	PACKING	1			
8	91001209000	O-RING	1		1A G90	
9	36131745060	BRACKET	1			
10	36131745010	POTENTIOMETER	1			
11	36130915030	SEAL	1			
12	36131745070	GEAR	1			
13	82100000192	TERMINAL	1			
14	36161185010	CAP	1			
15	82100000191	TERMINAL	1			
16	36131625050	CAP	1			
17	31370005080	GUIDE (CORD)	1			
18	36131745080	CORD ASSY	1			
19	82100001406	CONNECTOR (SEAL)	1			
20	36130795030	STOPPER	2			
31	36131745090	CORD	13	M		
100	36131740000	DETECTOR, BOOM LENGTH	1			

www.AutoEPC.com

100

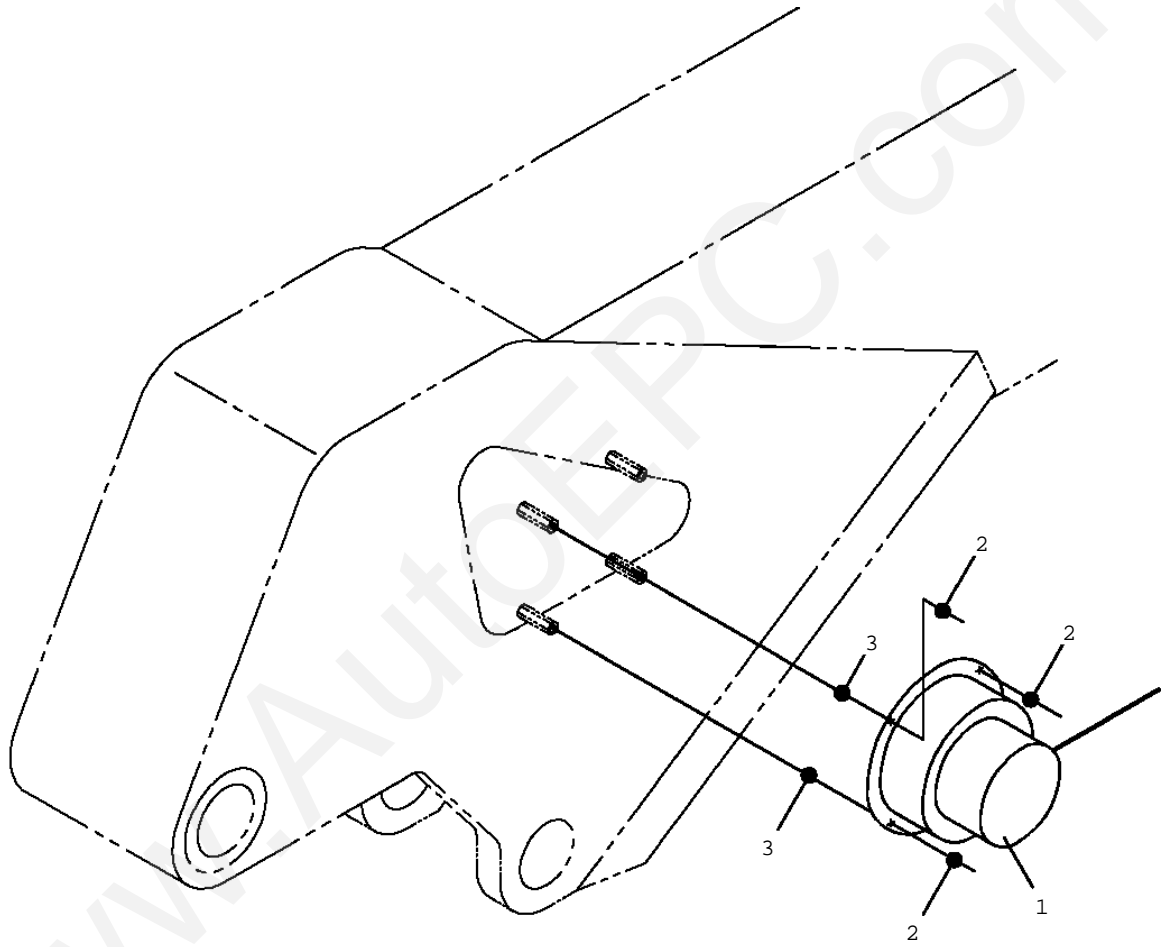


**TM-ZF360 41102210021A FRAME/SL,MANUAL**

Pos No.	Parts No	Parts Name	Qty	Unit	Technical Data	Serial No (Start)
1	36130235010	PLATE (BASE)	1			
2	36131755010	CASE	1			
3	36131755020	DRUM ASSY	1			
4	32360005050	RING,SLIP	1			
5	32360005060	CONTACTOR ASSY	1			
6	36131745040	CASE	1			
7	31370105030	PACKING	1			
8	91001209000	O-RING	1		1A G90	
9	36131745060	BRACKET	1			
10	36131745010	POTENTIOMETER	1			
11	36130915030	SEAL	1			
12	36131745070	GEAR	1			
13	82100000192	TERMINAL	1			
14	36161185010	CAP	1			
15	82100000191	TERMINAL	1			
16	36131625050	CAP	1			
17	31370005080	GUIDE (CORD)	1			
18	36131745080	CORD ASSY	1			
19	82100001406	CONNECTOR (SEAL)	1			
20	36130795030	STOPPER	2			
31	36131745090	CORD	17	M		
100	36131750000	DETECTOR,BOOM LENGTH	1			

www.AutoEPC.com

TM-ZF360 41102210021A FRAME/SL, MANUAL  
PG1130144-00 DETECTOR, BOOM LENGTH (MOUNT)

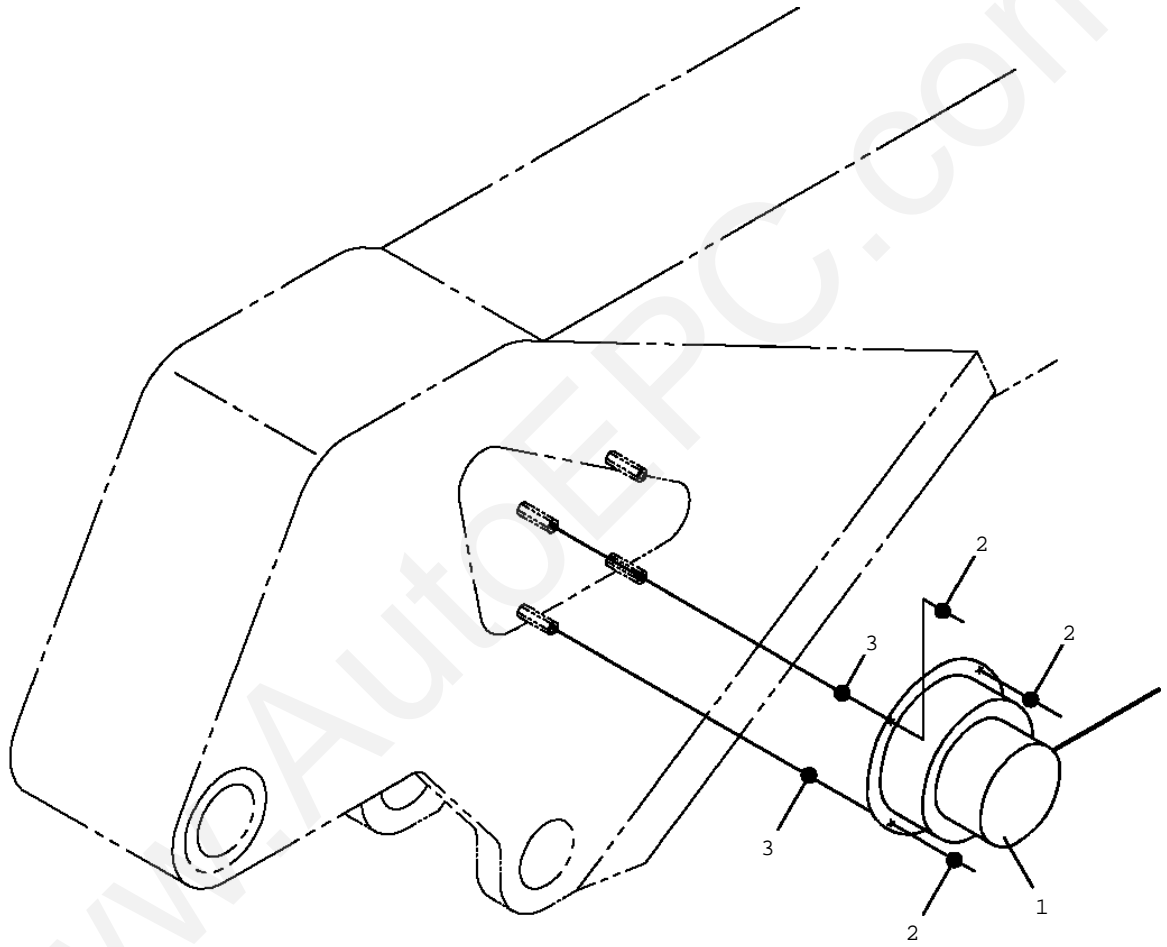


**TM-ZF360 41102210021A FRAME/SL, MANUAL**

Pos No.	Parts No	Parts Name	Qty	Unit	Technical Data	Serial No (Start)
1	36131740000	DETECTOR, BOOM LENGTH	1			
2	90186206010	BOLT, FLANGE	4		M6X10	
3	90303070601	WASHER, PLAIN	3		6	

www.AutoEPC.com

TM-ZF360 41102210021A FRAME/SL, MANUAL  
PG1130145-00 DETECTOR, BOOM LENGTH (MOUNT)



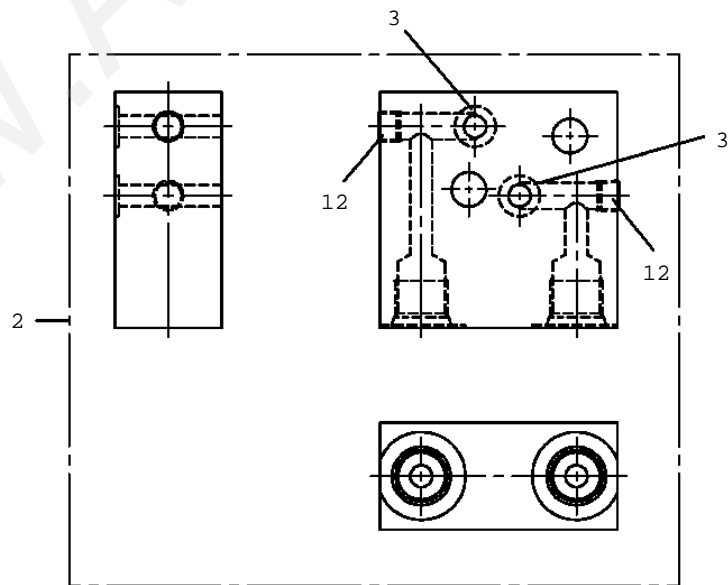
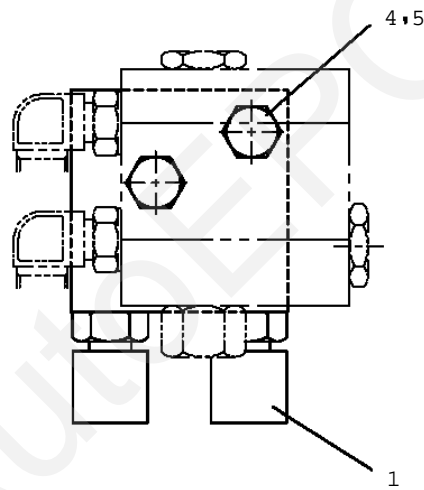
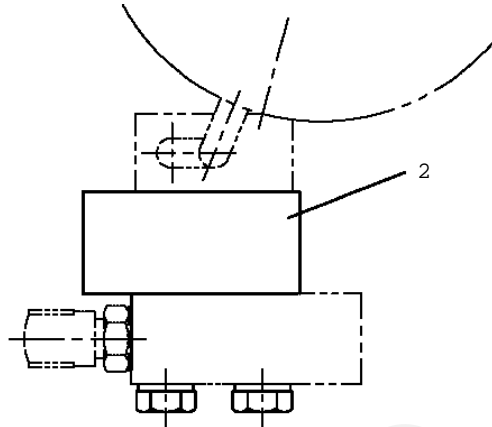
**TM-ZF360 41102210021A FRAME/SL, MANUAL**

Pos No.	Parts No	Parts Name	Qty	Unit	Technical Data	Serial No (Start)
1	36131750000	DETECTOR, BOOM LENGTH	1			
2	90186206010	BOLT, FLANGE	4		M6X10	
3	90303070601	WASHER, PLAIN	3		6	

www.AutoEPC.com



TM-ZF360 41102210021A FRAME/SL, MANUAL  
PH1010007-01 DETECTOR, LOAD (BML, OPTION)

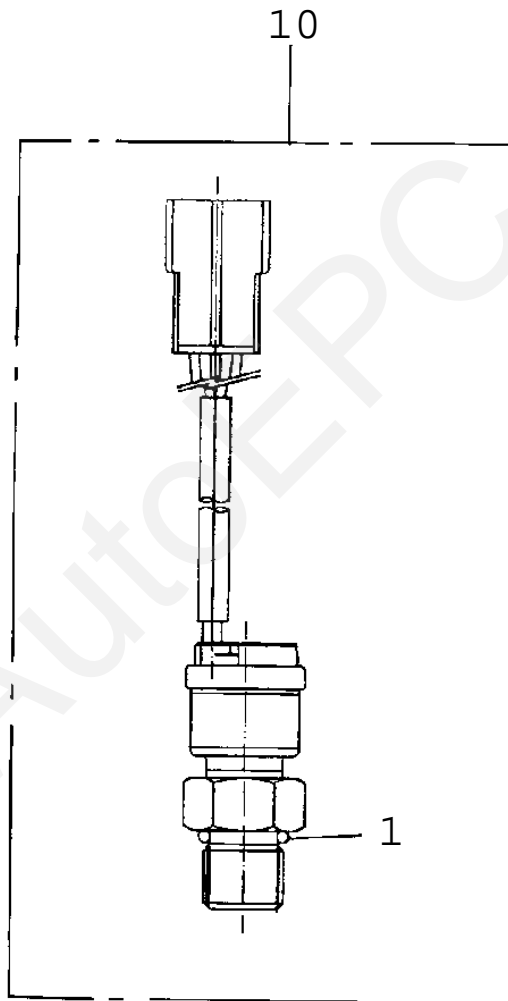


**TM-ZF360 41102210021A FRAME/SL,MANUAL**

Pos No.	Parts No	Parts Name	Qty	Unit	Technical Data	Serial No (Start)	Serial
1	36150050000	DETECTOR,LOAD	2				
2	31360205100	JOINT	1				
3	91002801000	O-RING	4		1B P10		
4	90171110080	BOLT	2		M10X80		
5	90302041001	WASHER,SPRING	2		10		
12	80316030020	PLUG	2		PT1/8		

www.AutoEPC.com

TM-ZF360 41102210021A FRAME/SL, MANUAL  
PH1010008-00 DETECTOR, LOAD

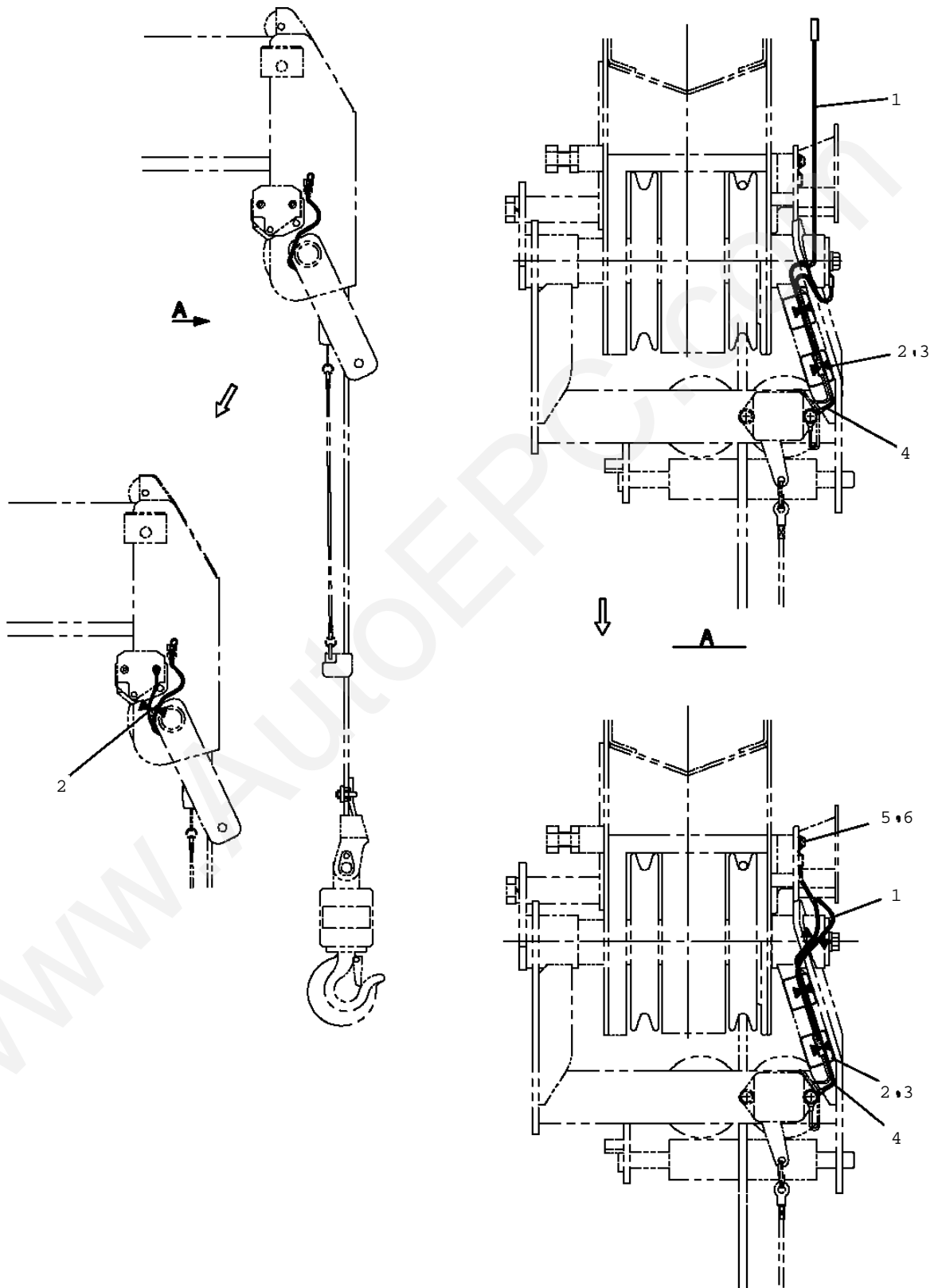


**TM-ZF360 41102210021A FRAME/SL,MANUAL**

Pos No.	Parts No	Parts Name	Qty	Unit	Technical Data	Serial No (Start)	Serial
1	91002801400	O-RING	1		1B P14		
10	36150050000	DETECTOR, LOAD	1				

www.AutoEPC.com

TM-ZF360 41102210021A FRAME/SL, MANUAL  
PH1060266-01 DETECTOR, OVER WINDING (OPTION)

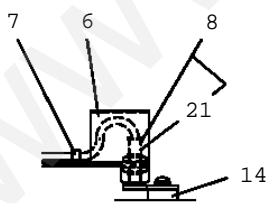
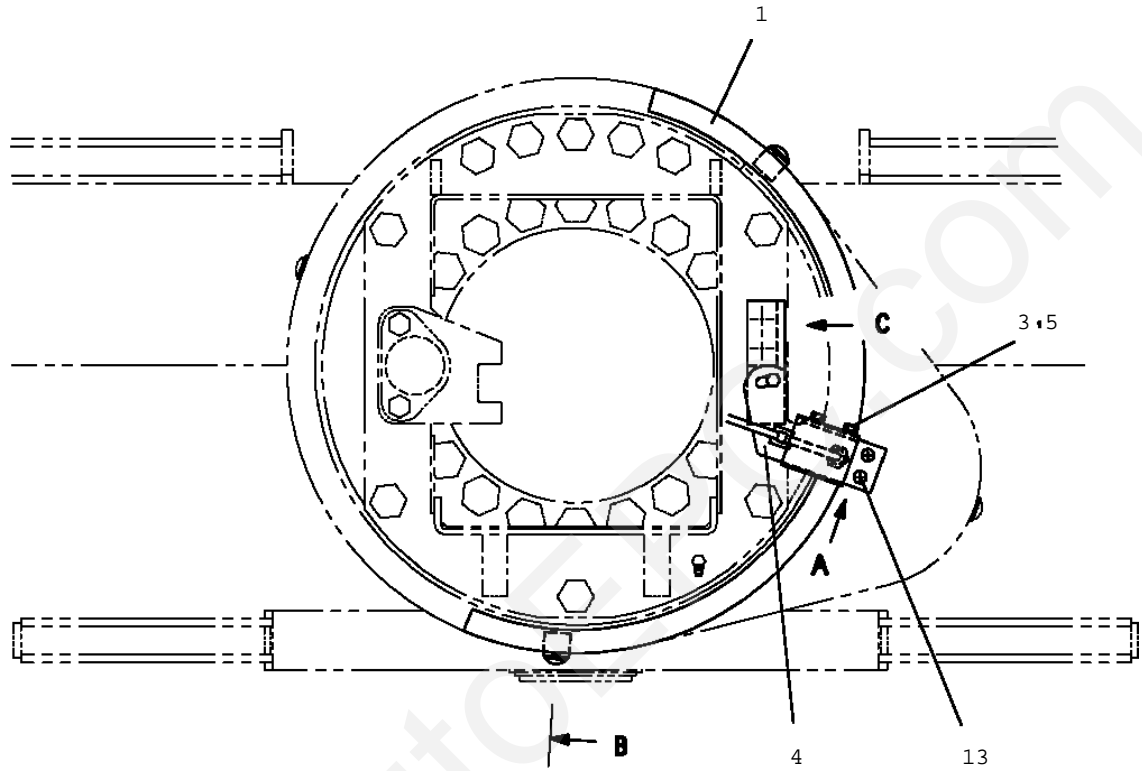


**TM-ZF360 41102210021A FRAME/SL, MANUAL**

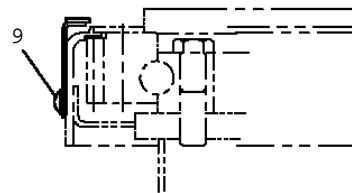
Pos No.	Parts No	Parts Name	Qty	Unit	Technical Data	Serial No (Start)	Serial No
1	31370020070	HARNESS	1				
2	91810130230	FASTENER	2				
3	82401601002	CLAMP	2				
4	37002701950	CABLE ASSY	1				

www.AutoEPC.com

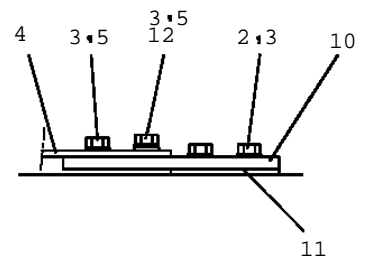
TM-ZF360 41102210021A FRAME/SL, MANUAL  
PH1100053-00 DETECTOR, OVER FRONT AREA (BML, OPTION)



**A**



**B**

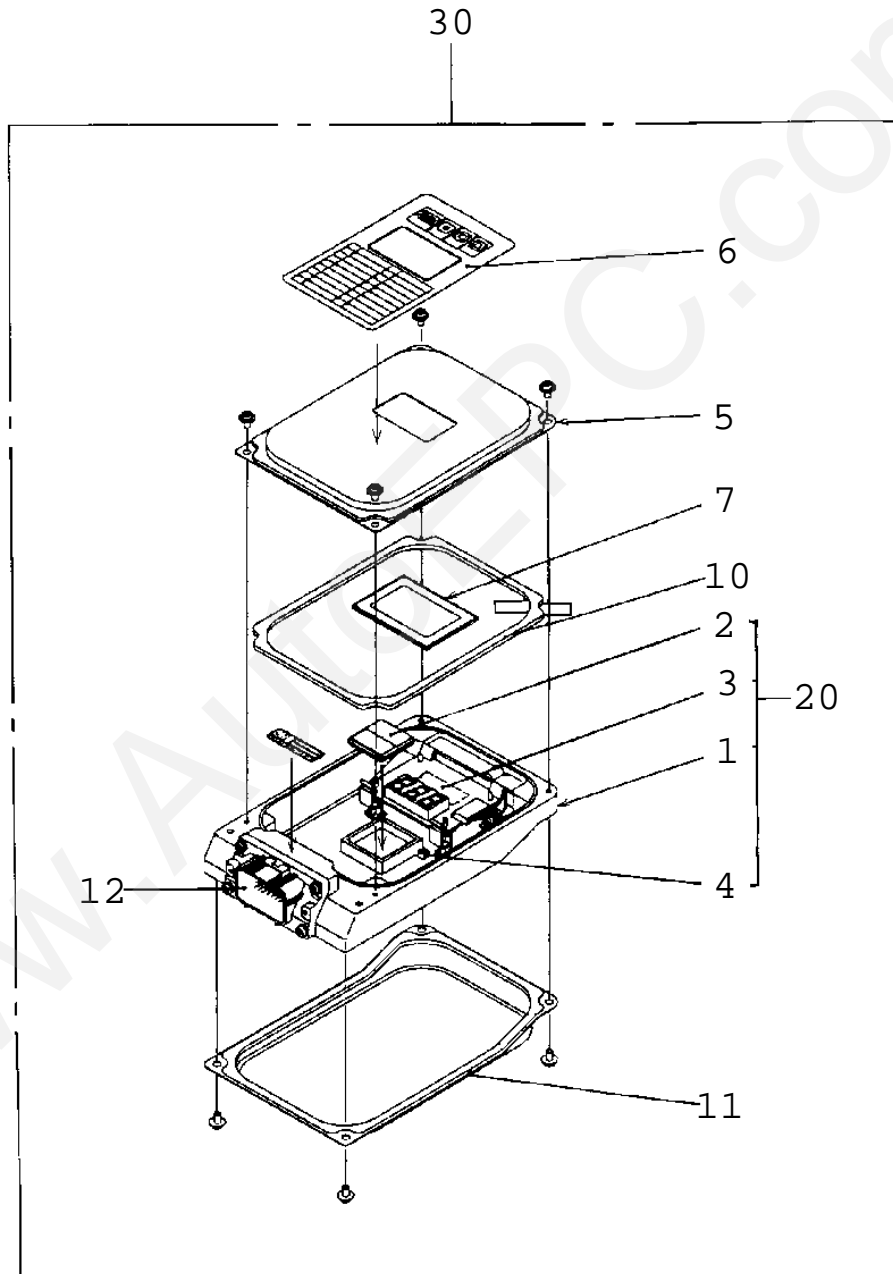


**C**

**TM-ZF360 41102210021A FRAME/SL,MANUAL**

Pos No.	Parts No	Parts Name	Qty	Unit	Technical Data	Serial No (
1	31360203101	SUPPORT	1			
2	90201200600	NUT	2		M6	
3	90302040601	WASHER,SPRING	6		6	
4	31360203201	SUPPORT	1			
5	90101206010	BOLT	4		M6X1.0	
6	31360203301	COVER	1			
7	82401600506	CLAMP	1			
8	31360203400	SWITCH ASSY	1			
9	80183308016	SCREW,MACHINE	2		M8X16	
10	31360203501	PLATE	1			
11	31360203600	PLATE	1			
12	90303070601	WASHER,PLAIN	1		6	
13	80192486014	SCREW,MACHINE (WITH WASHER)	2		M6X14	
14	31360203700	PLATE	1			
21	82108101090	SWITCH	1			



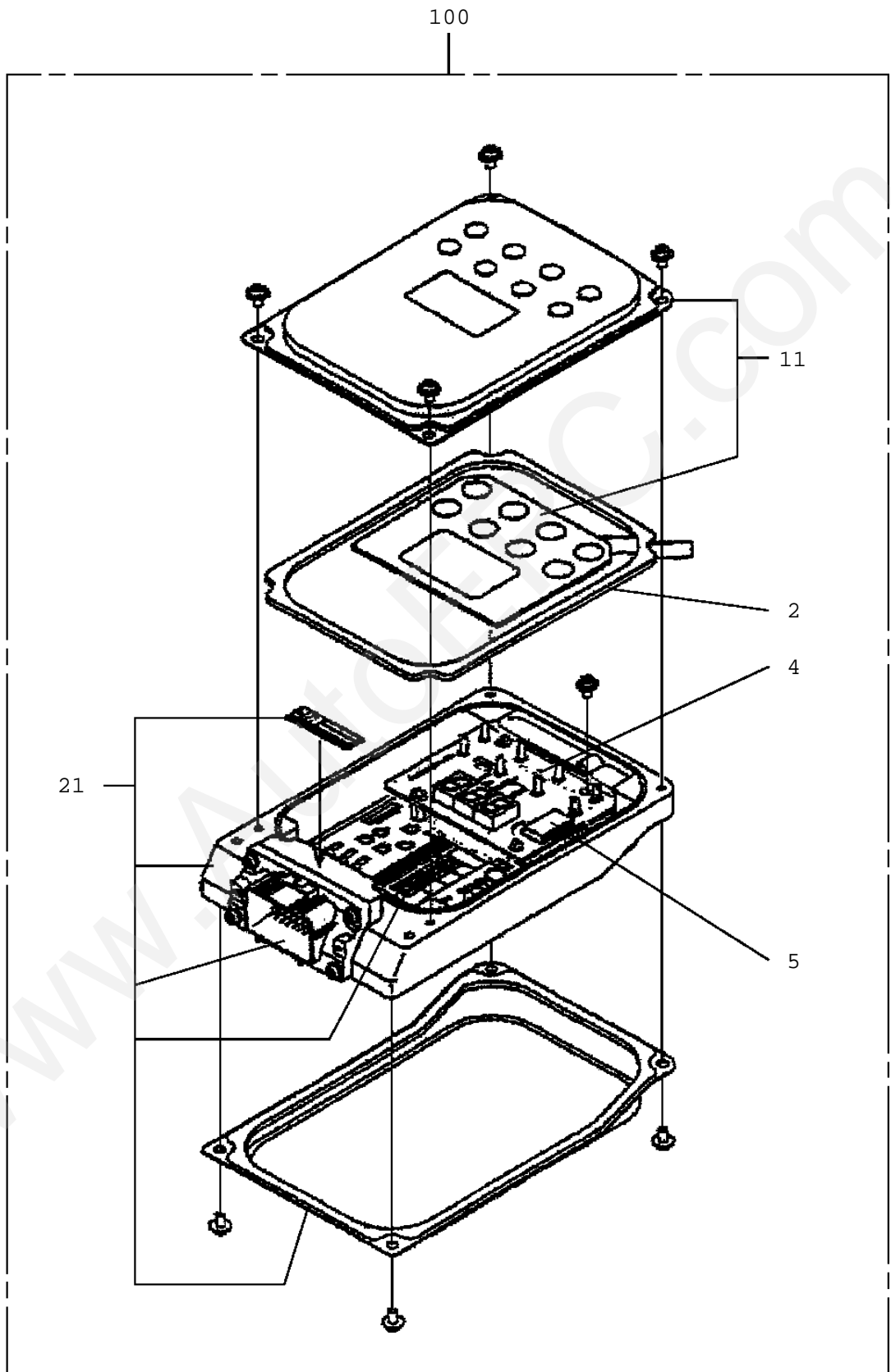


**TM-ZF360 41102210021A FRAME/SL,MANUAL**

Pos No.	Parts No	Parts Name	Qty	Unit	Technical Data	Serial No (St
1	36116895020	BOARD ASSY	1			
2	(*****)	P-ROM	1			
3	(*****)	P-ROM	1			
4	36117315030	SOCKET	2			
5	36117315040	COVER (TOP)	1			
6	36117315050	PLATE,NAME	1			
7	36117315060	SCREEN	1			
10	36116551300	CUSHION	1			
11	36116551400	COVER (BASE)	1			
12	36116551500	CONNECTOR	1			
20	36118065010	BODY KIT	1			
30	36118060000	MOMENT LIMITER (BML-PB)	1			

www.AutoEPC.com

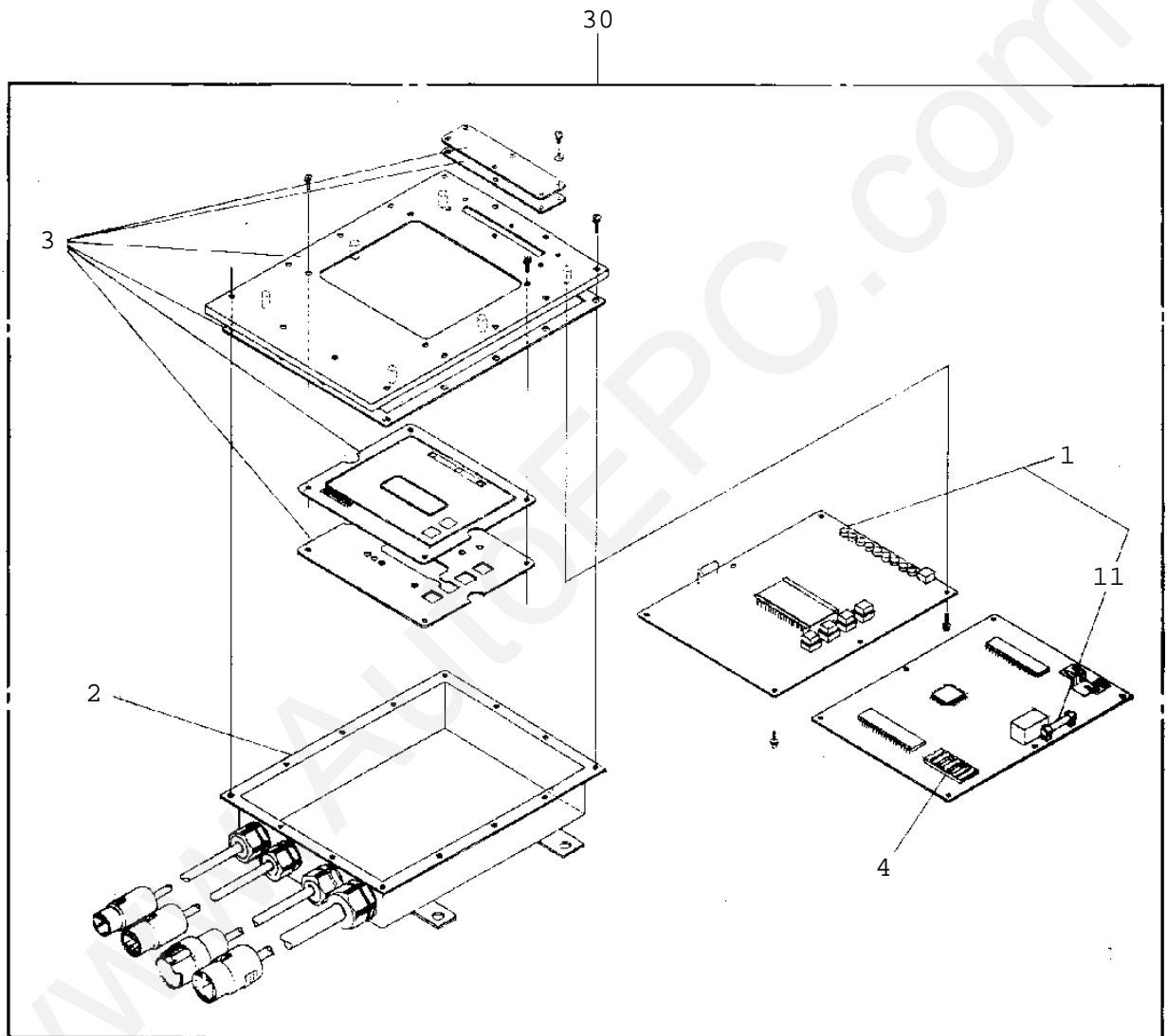
TM-ZF360 41102210021A FRAME/SL, MANUAL  
PH1250115-00 MOMENT LIMITER (BML)



**TM-ZF360 41102210021A FRAME/SL,MANUAL**

Pos No.	Parts No	Parts Name	Qty	Unit	Technical Data	Serial No (Start)
2	36116551300	CUSHION	1			
4	36190831930	BOARD,CIRCUIT	1			
5	36190831940	HARNESS	1			
11	36190831800	COVER	1			
21	36194665010	CPU UNIT (WITH DATA)	1			
100	36194660000	MOMENT LIMITER (BML)	1			

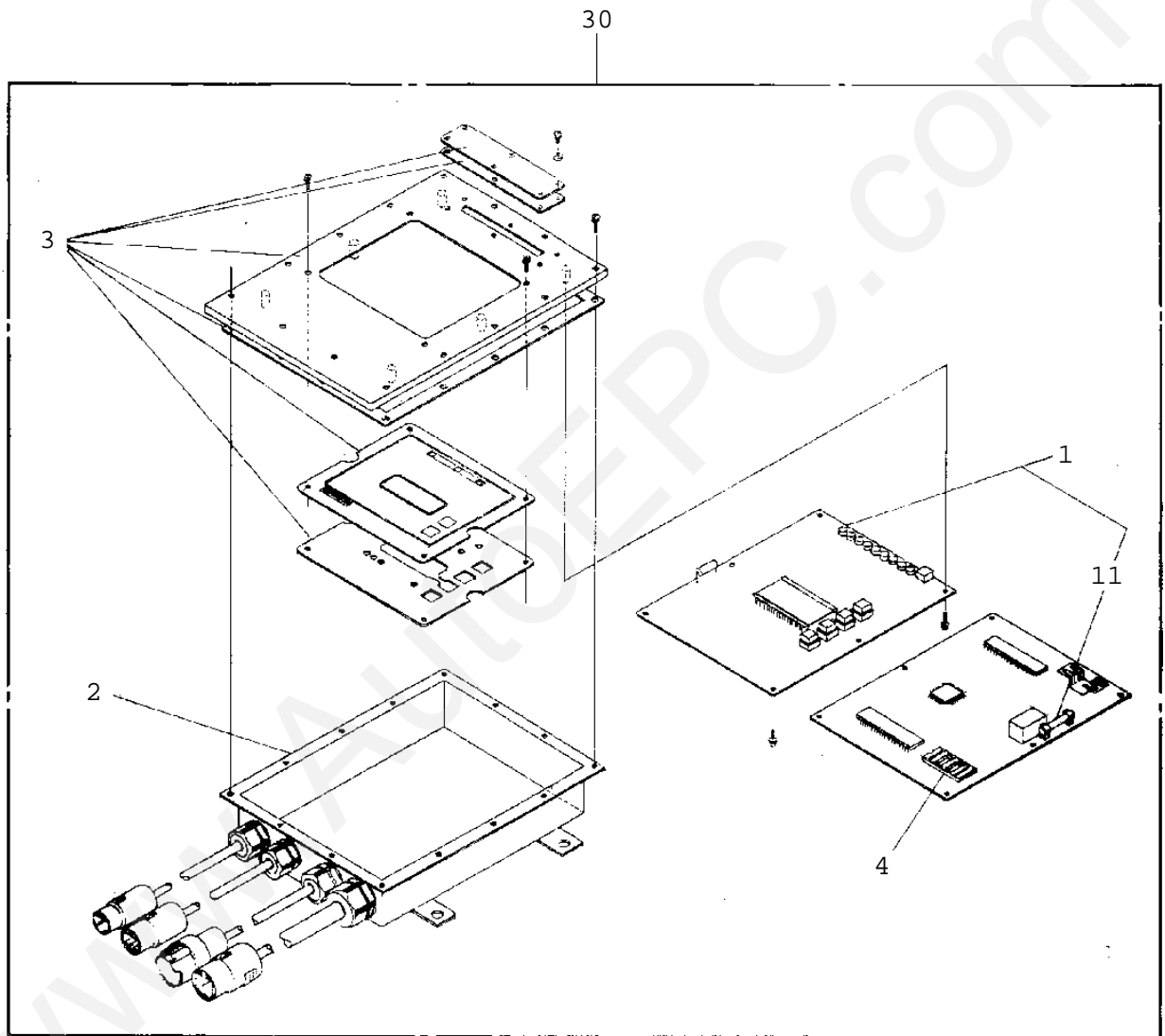
www.AutoEPC.com



**TM-ZF360 41102210021A FRAME/SL,MANUAL**

Pos No.	Parts No	Parts Name	Qty	Unit	Technical Data	S
1	36117095010	BOARD,CPU & DISPLAY (WITHOUT P-ROM)	1			
2	36117675010	CASE ASSY	1			
3	36117675020	COVER ASSY	1			
4	(***** )	P-ROM	1			
30	36117090000	WORKING AREA LIMITER (AWL-N)	1			

www.AutoEPC.com

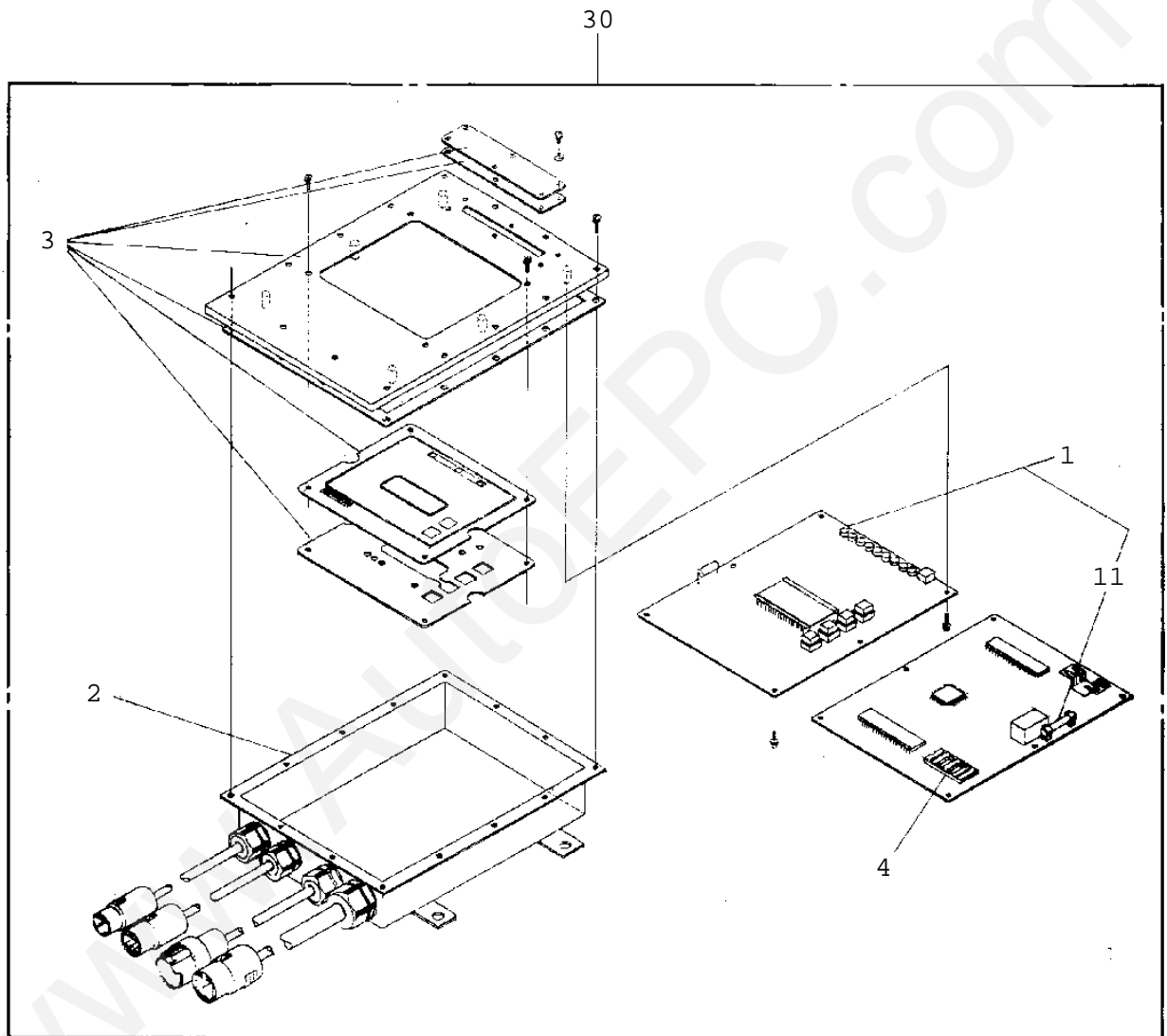


**TM-ZF360 41102210021A FRAME/SL,MANUAL**

Pos No.	Parts No	Parts Name	Qty	Unit	Technical Data	S
1	36117095010	BOARD,CPU & DISPLAY (WITHOUT P-ROM)	1			
2	36117675010	CASE ASSY	1			
3	36117675020	COVER ASSY	1			
4	(***** )	P-ROM	1			
30	36117770000	WORKING AREA LIMITER (AWL-N)	1			

www.AutoEPC.com

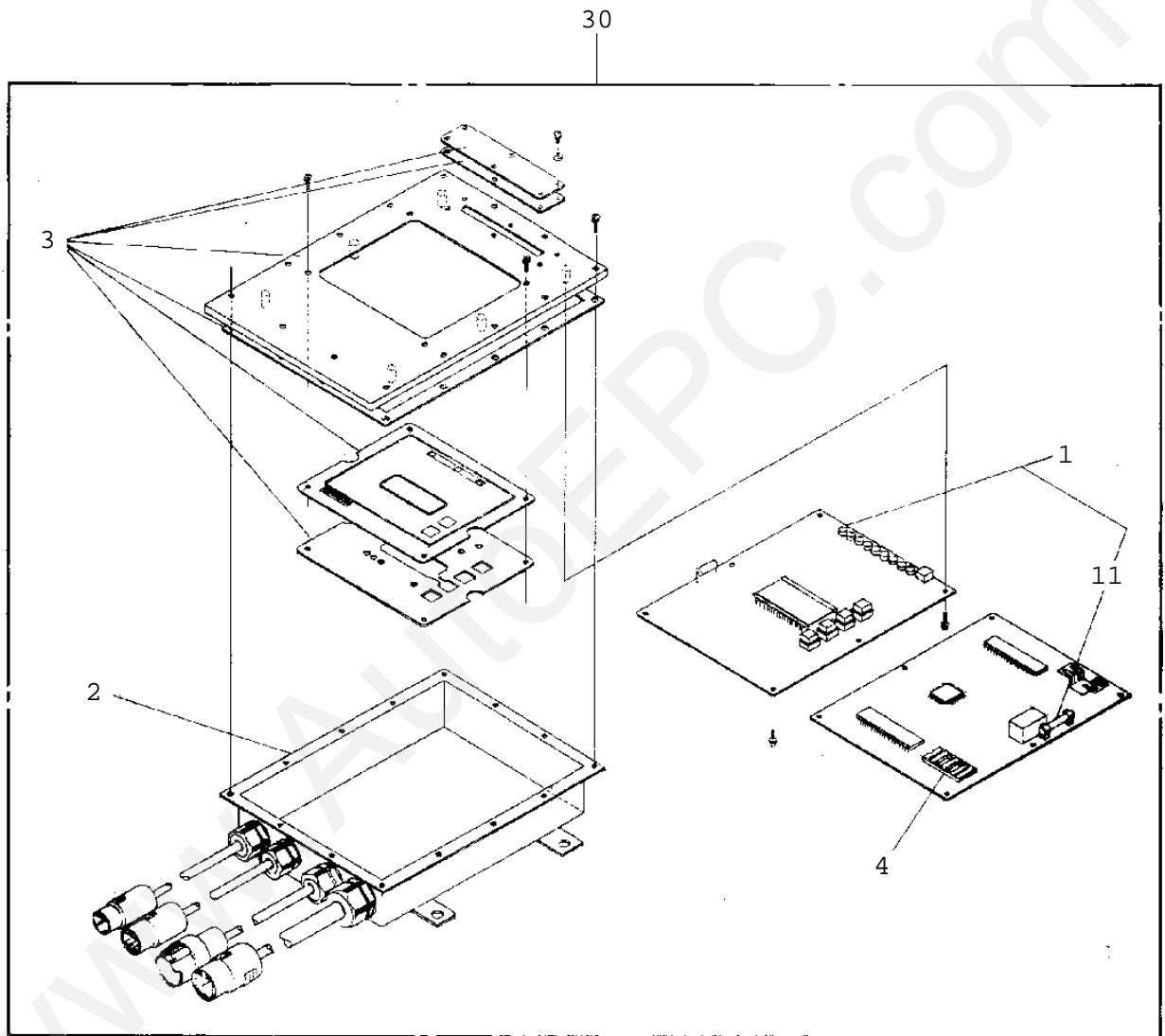




**TM-ZF360 41102210021A FRAME/SL,MANUAL**

Pos No.	Parts No	Parts Name	Qty	Unit	Technical Data	S
1	36117095010	BOARD,CPU & DISPLAY (WITHOUT P-ROM)	1			
2	36117675010	CASE ASSY	1			
3	36117675020	COVER ASSY	1			
4	(***** )	P-ROM	1			
30	36117810000	WORKING AREA LIMITER (AWL-N)	1			

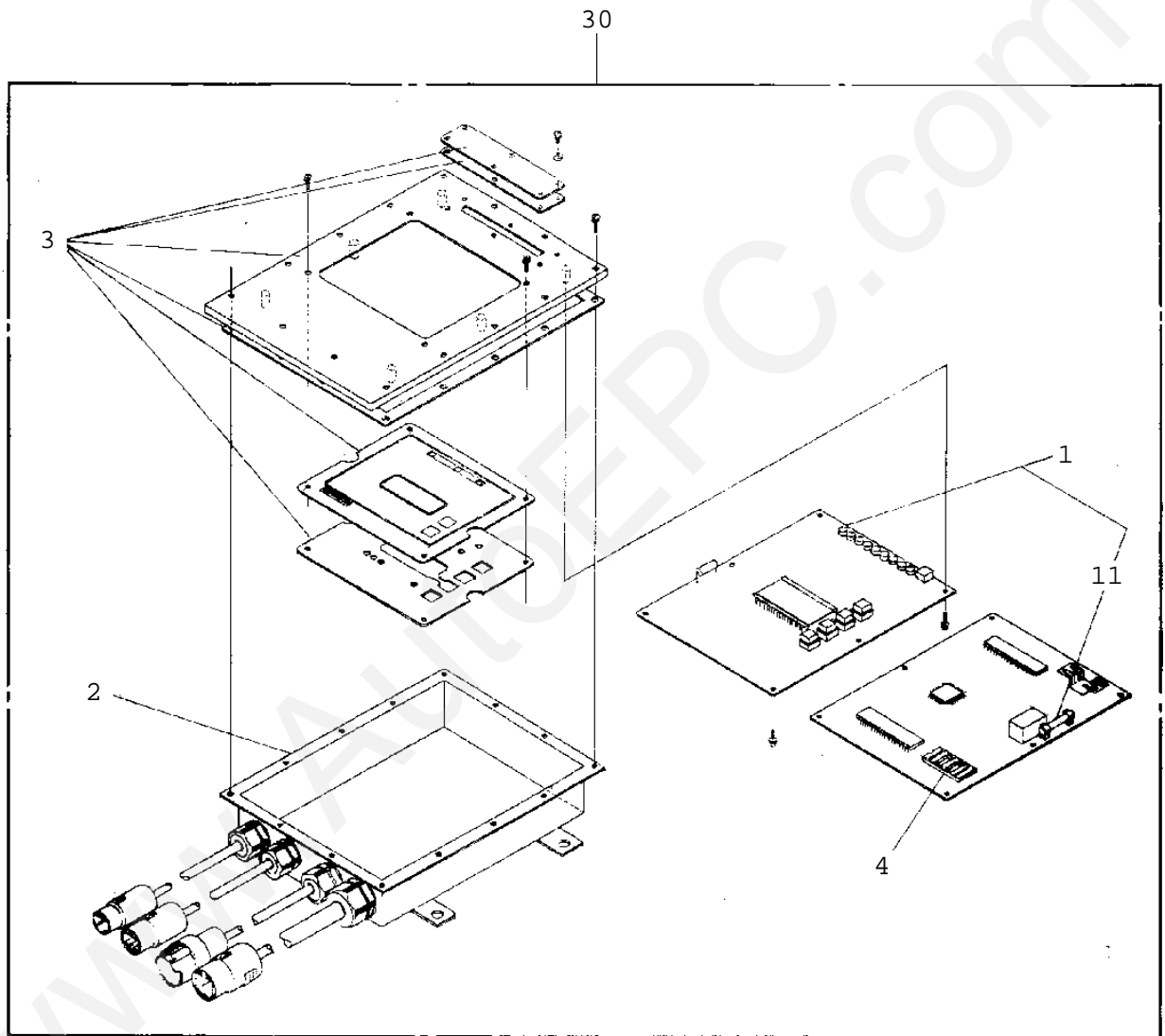
www.AutoEPC.com



**TM-ZF360 41102210021A FRAME/SL,MANUAL**

Pos No.	Parts No	Parts Name	Qty	Unit	Technical Data	S
1	36117095010	BOARD,CPU & DISPLAY (WITHOUT P-ROM)	1			
2	36117675010	CASE ASSY	1			
3	36117675020	COVER ASSY	1			
4	(***** )	P-ROM	1			
30	36117840000	WORKING AREA LIMITER (AWL-N)	1			

www.AutoEPC.com

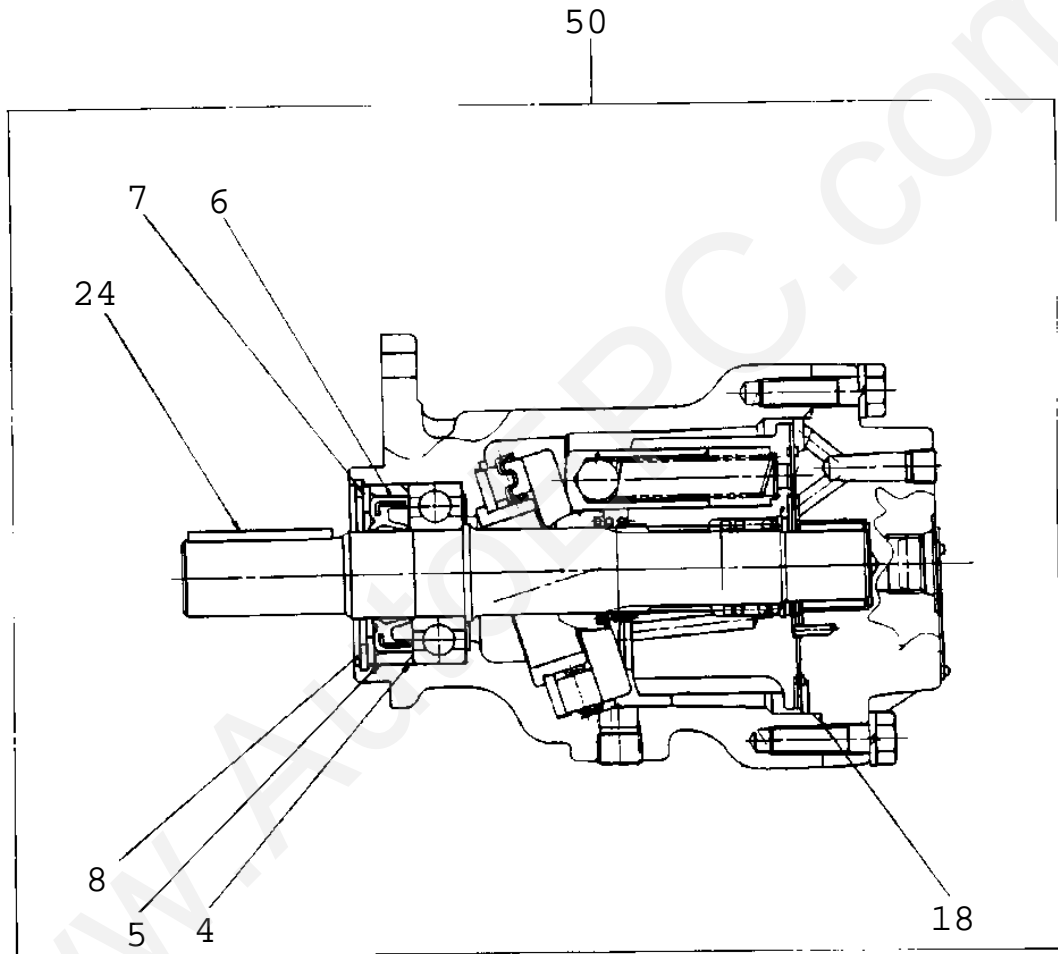


**TM-ZF360 41102210021A FRAME/SL,MANUAL**

Pos No.	Parts No	Parts Name	Qty	Unit	Technical Data	S
1	36117095010	BOARD,CPU & DISPLAY (WITHOUT P-ROM)	1			
2	36117675010	CASE ASSY	1			
3	36117675020	COVER ASSY	1			
4	(***** )	P-ROM	1			
30	36117990000	WORKING AREA LIMITER (AWL-N)	1			

www.AutoEPC.com

TM-ZF360 41102210021A FRAME/SL, MANUAL  
PI1010058-00 MOTOR, HYDRAULIC (WINCH)



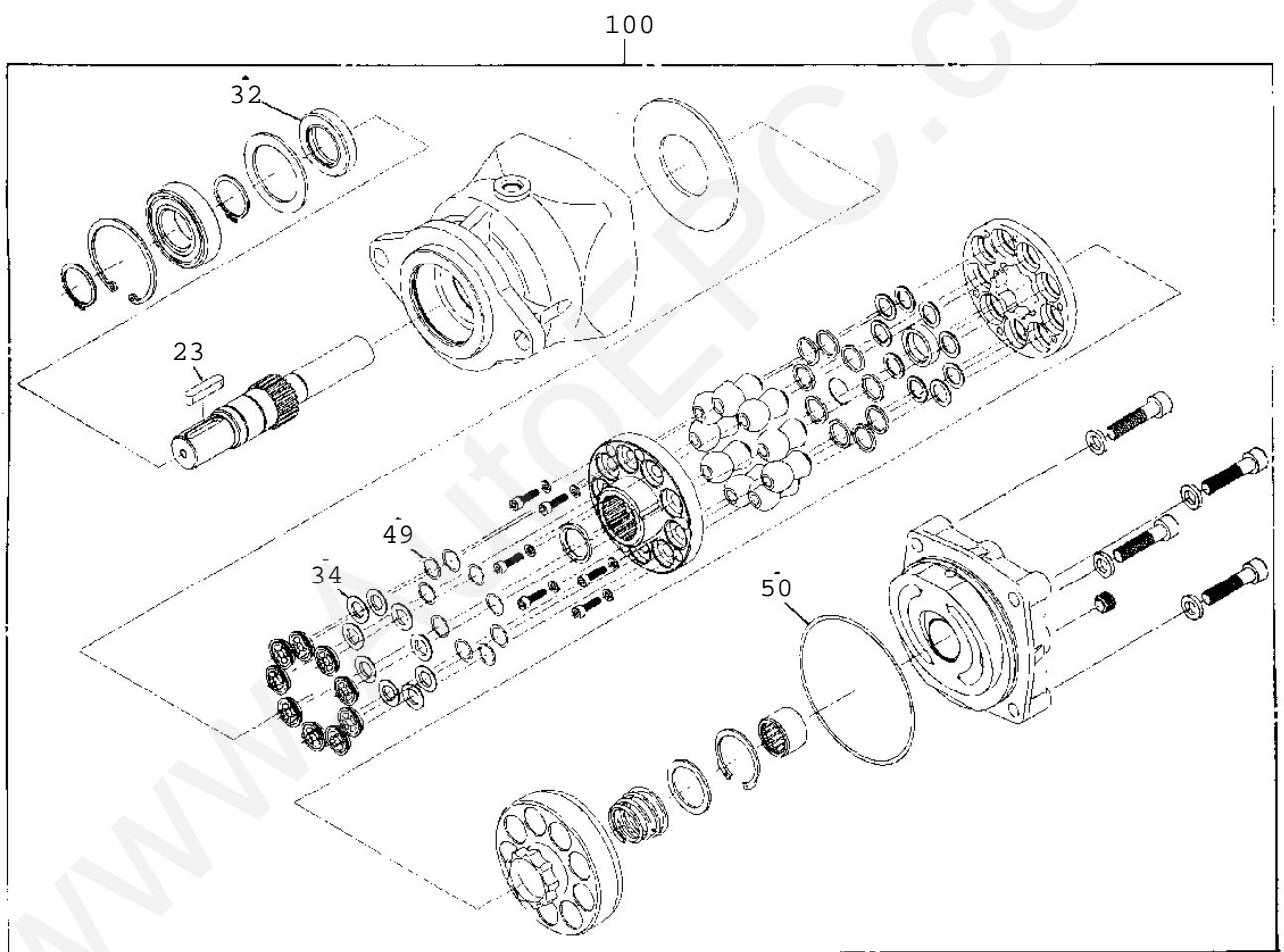
**TM-ZF360 41102210021A FRAME/SL,MANUAL**

Pos No.	Parts No	Parts Name	Qty	Unit	Technical Data	Serial No (Star
4	91001004800	O-RING	1		S48	
5	36661915020	HOLDER (OIL SEAL)	1			
6	91252102500	SEAL,OIL	1			
7	36661915030	PLATE (HOLDER)	1			
8	80602110520	RING,RITAINING	1		R52	
18	91001008500	O-RING	1		S-85	
24	36661115120	KEY	1		6X6X41	
50	36661910000	MOTOR,HYDRAULIC (WINCH)	1			

www.AutoEPC.com



TM-ZF360 41102210021A FRAME/SL, MANUAL  
PI1010078-01 MOTOR, HYDRAULIC (SWING)



•SEAL KIT KEY NO8 0(KEY NO.3 23 45 04 9

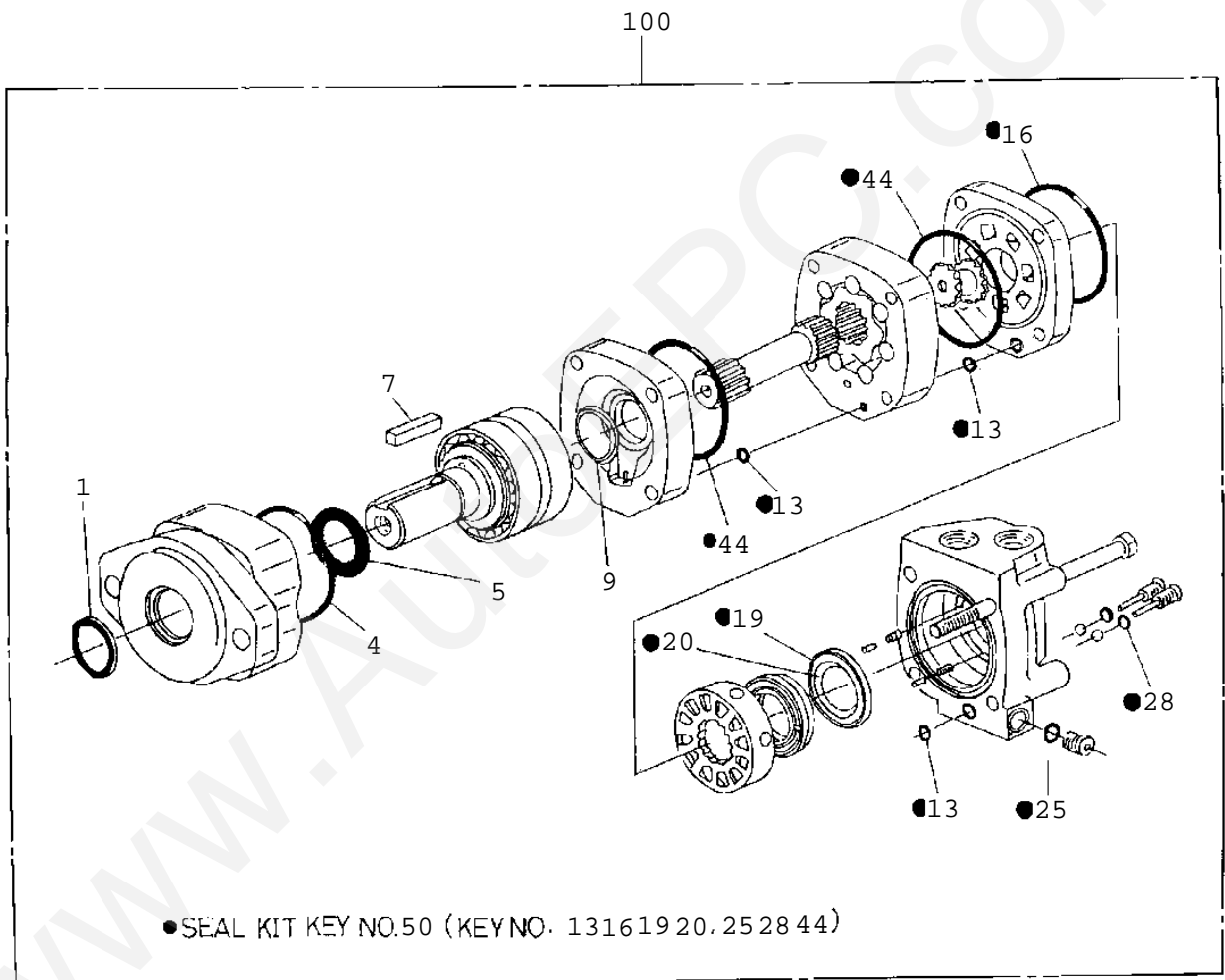
**TM-ZF360 41102210021A FRAME/SL,MANUAL**

Pos No.	Parts No	Parts Name	Qty	Unit	Technical Data	Serial No (Star
23	36662385020	KEY	1			
32	36661665010	SEAL,OIL	1			
34	36662425010	RING,BACKUP	9			
49	36662425020	O-RING	9			
50	36661665020	O-RING	1		G110	
80	36662425030	SEAL KIT	1			
100	36662420000	MOTOR,HYDRAULIC (SWING)	1			

www.AutoEPC.com

TM-ZF360 41102210021A FRAME/SL, MANUAL  
PI1010085-01 MOTOR, HYDRAULIC

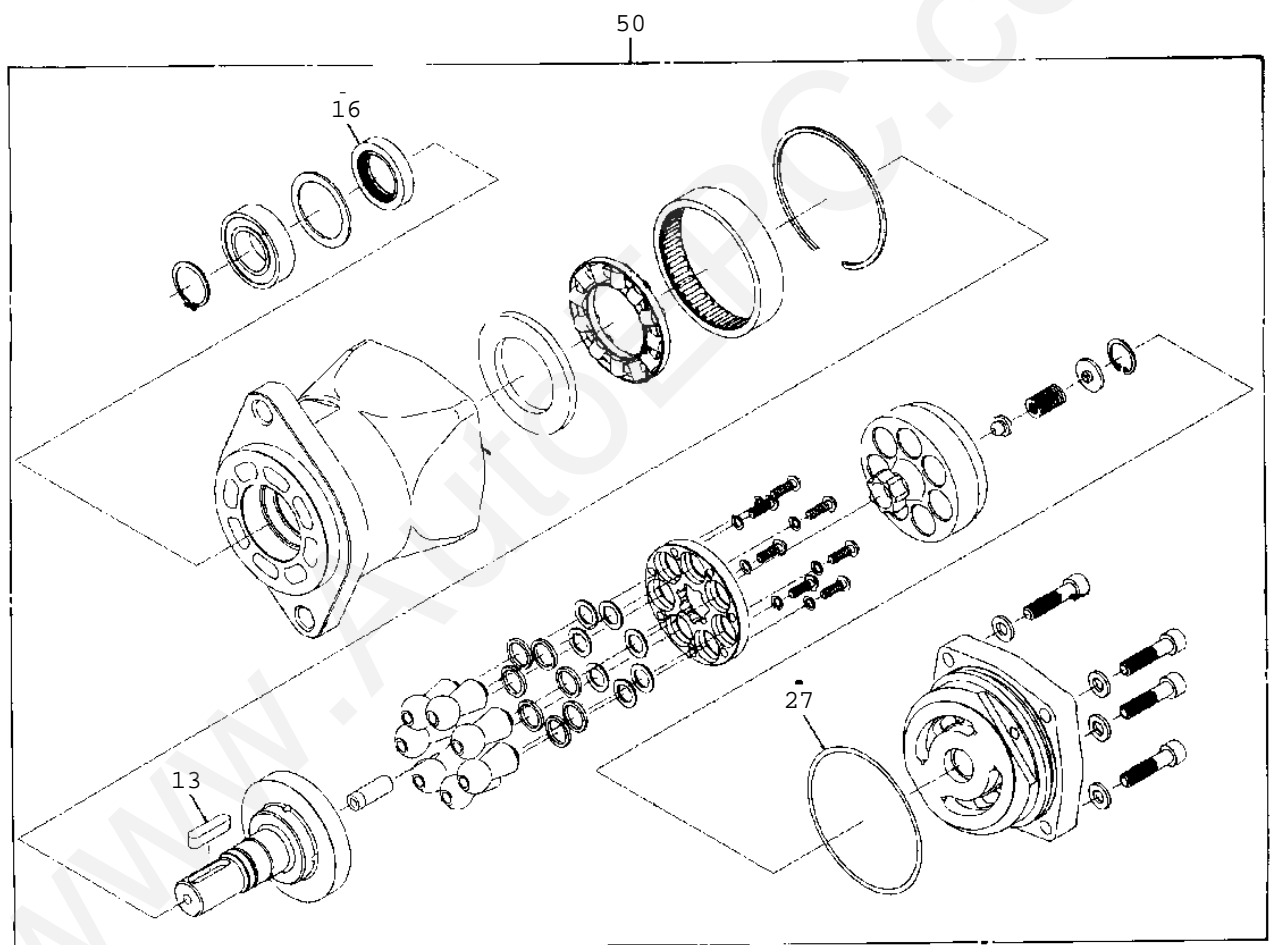
Assembly Name MOTOR, HYDRAULIC (SELF WINCH 31)



**TM-ZF360 41102210021A FRAME/SL, MANUAL**

Pos No.	Parts No	Parts Name	Qty	Unit	Technical Data	Serial No (Start)
1	36662295010	SEAL, DUST	1			
4	91000504100	O-RING	1			
5	36662295020	SEAL, OIL	1			
7	36660375070	KEY	1		7X7X31.5	
9	36662295030	SEAL, SHAFT	1			
13	91000501100	O-RING	3			
16	91000503800	O-RING	1			
19	36660645130	SEAL	1			
20	36660645140	SEAL	1			
25	91001101100	O-RING	1		1A P11	
28	91000590300	O-RING	2			
44	91000504100	O-RING	2			
50	36660645160	SEAL KIT (FOR MOTOR)	1			
100	36662290000	MOTOR, HYDRAULIC	1			

www.AutoEPC.com

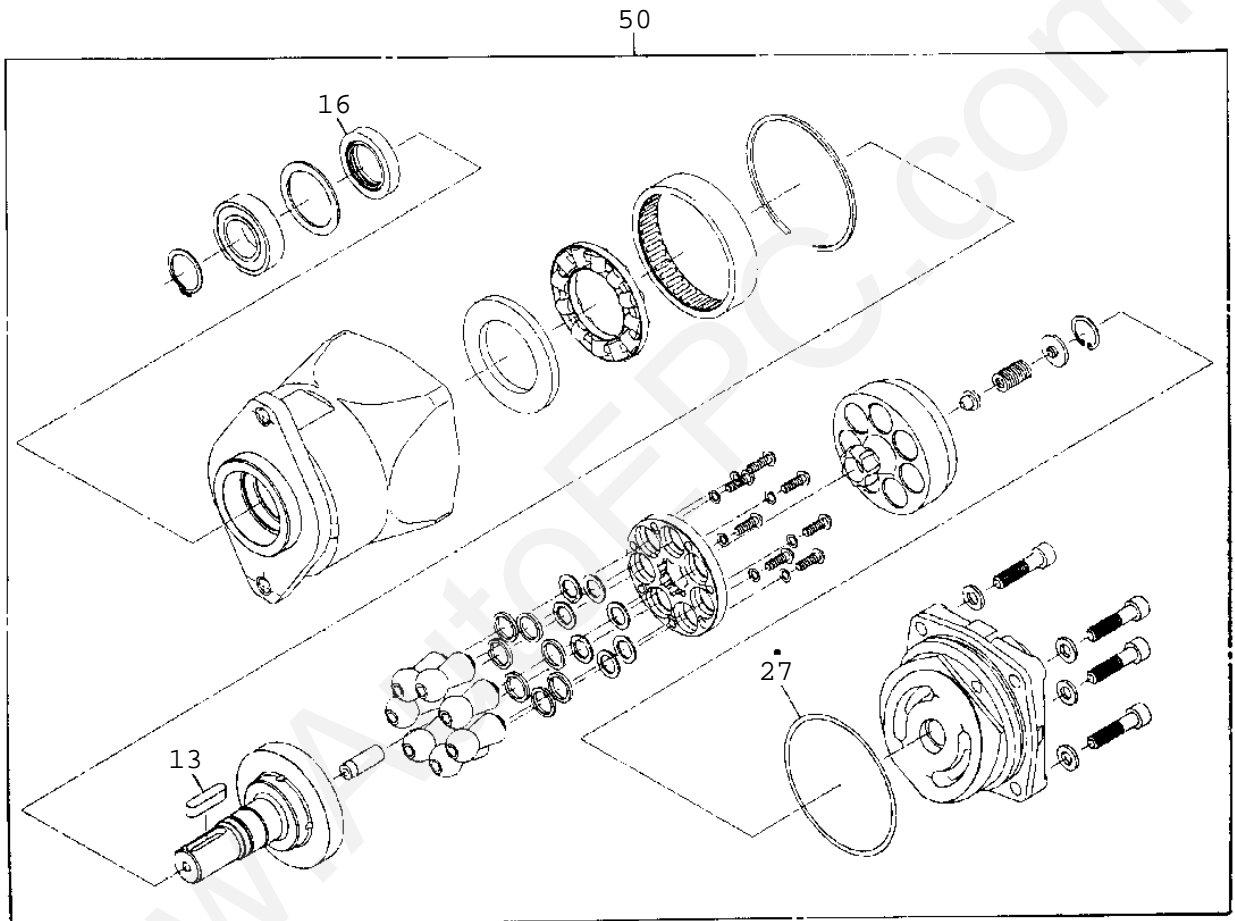


• SEAL KIT KEY NO.40:(KEY NO.1627)

**TM-ZF360 41102210021A FRAME/SL,MANUAL**

Pos No.	Parts No	Parts Name	Qty	Unit	Technical Data	Serial No (Start)	Seri
13	36662415010	KEY	1				
40	36662415020	SEAL KIT	1				
50	36662410000	MOTOR, HYDRAULIC	1				

www.AutoEPC.com



•SEAL KIT KEY NO.40(KEY NO.1627)

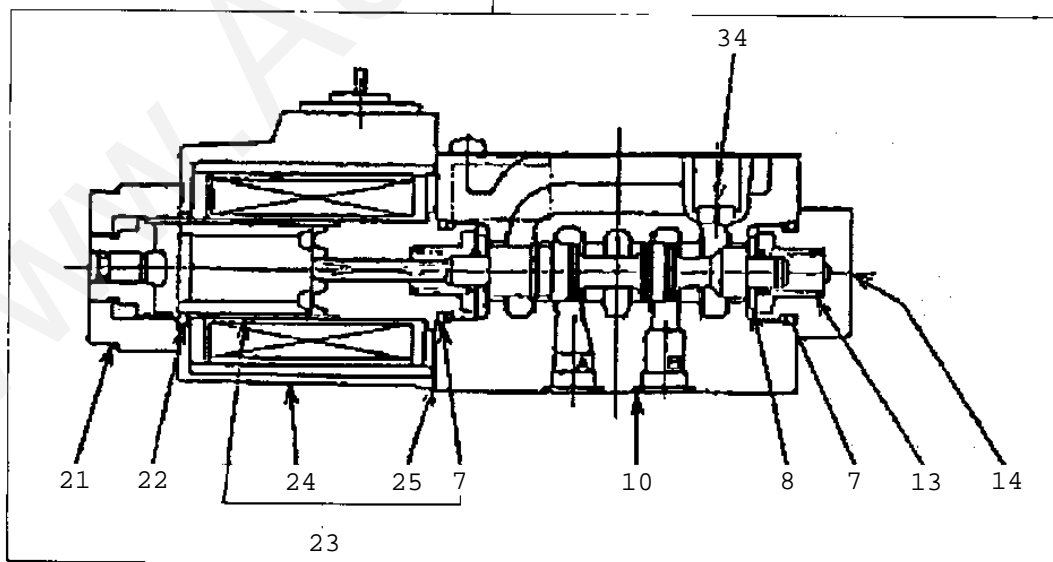
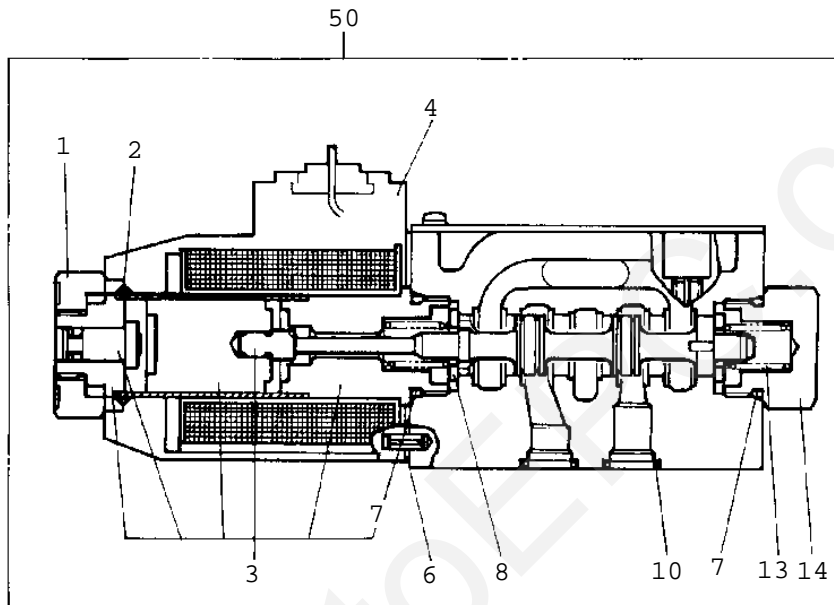
**TM-ZF360 41102210021A FRAME/SL,MANUAL**

Pos No.	Parts No	Parts Name	Qty	Unit	Technical Data	Serial No (Star
13	36662185010	KEY (FEATHER)	1			
40	36662415020	SEAL KIT	1			
50	36662180000	MOTOR, HYDRAULIC (WINCH)	1			

www.AutoEPC.com



TM-ZF360 41102210021A FRAME/SL, MANUAL  
PI1120241-00 VALVE, SOLENOID

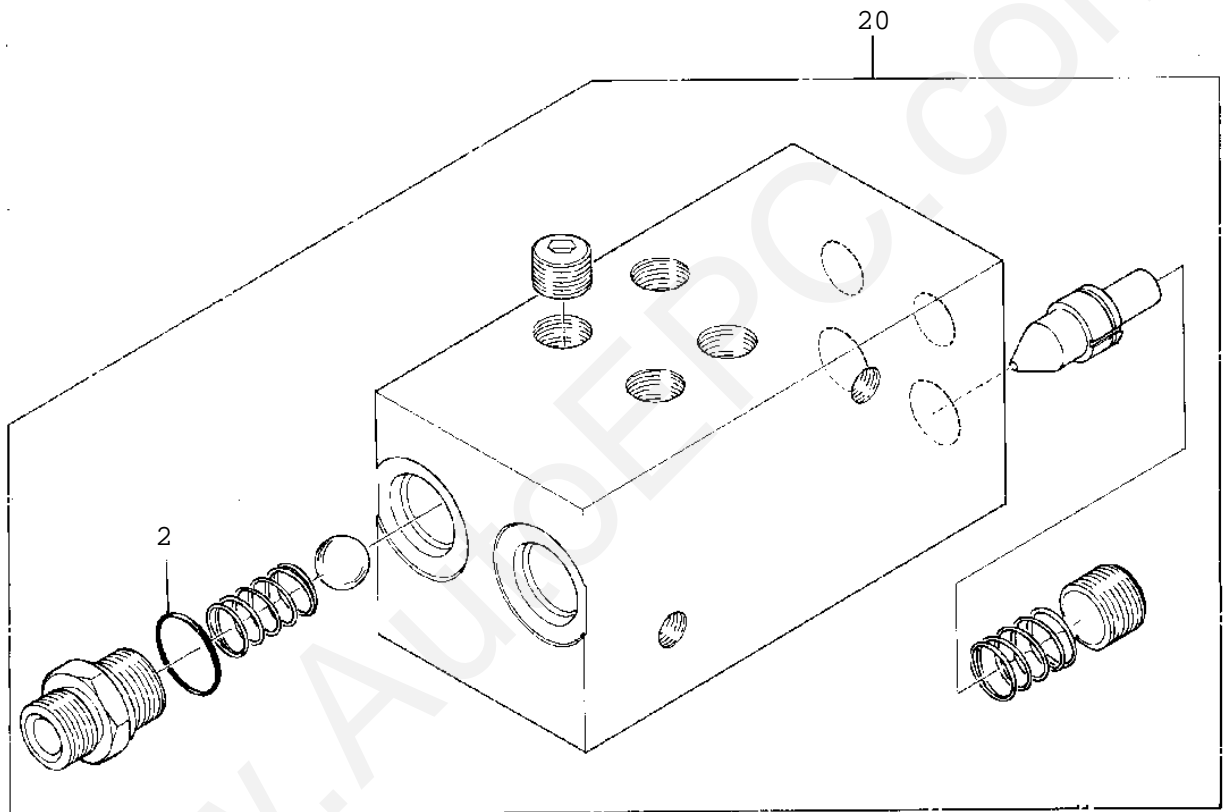


**TM-ZF360 41102210021A FRAME/SL,MANUAL**

Pos No.	Parts No	Parts Name	Qty	Unit	Technical Data	Serial No (Start)
1	36642765010	NUT	1			
2	91001102100	O-RING	1		1A P21	
3	36642765020	CORE ASSY (SOLENOID)	1			
4	36642765030	COIL,SOLENOID	1			
6	36642765040	PACKING	1			
7	36642765050	O-RING	2			
8	36642765060	WASHER (CENTER)	2			
10	91000501200	O-RING	4			
13	36642765080	SPRING	2			
14	36642765070	PLUG	1			
50	36642760000	VALVE,SOLENOID	1			

www.AutoEPC.com

TM-ZF360 41102210021A FRAME/SL, MANUAL  
PI1190010-01 VALVE, PRESSURE REGULATOR (SELF WINCH)

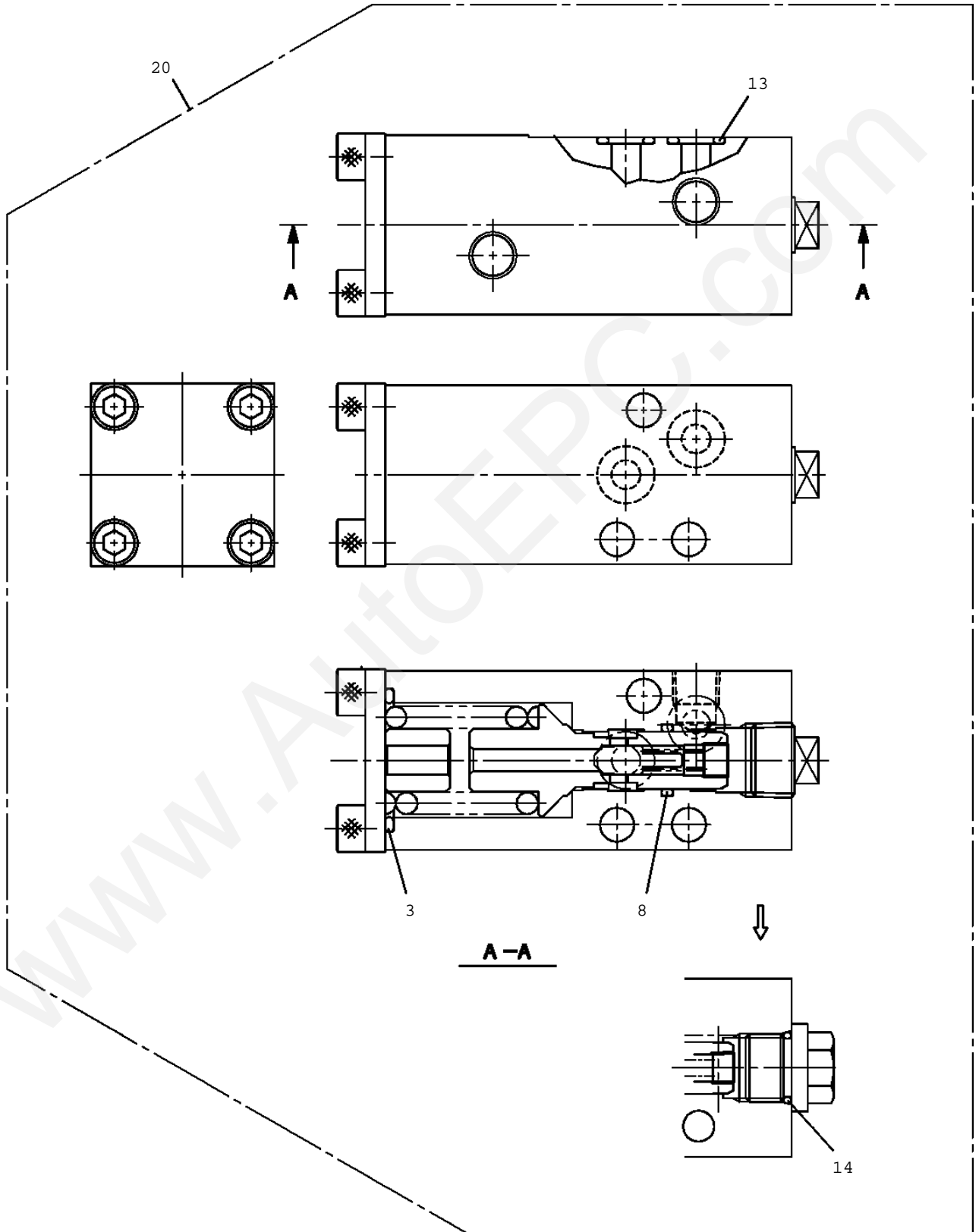


**TM-ZF360 41102210021A FRAME/SL,MANUAL**

Pos No.	Parts No	Parts Name	Qty	Unit	Technical Data	S
2	91002801800	O-RING	2		1B P18	
20	36600480000	VALVE,PRESSURE REGULATOR (SELF WINCH)	1			

www.AutoEPC.com

TM-ZF360 41102210021A FRAME/SL, MANUAL  
PI1250040-02 VALVE, COUNTERBALANCE

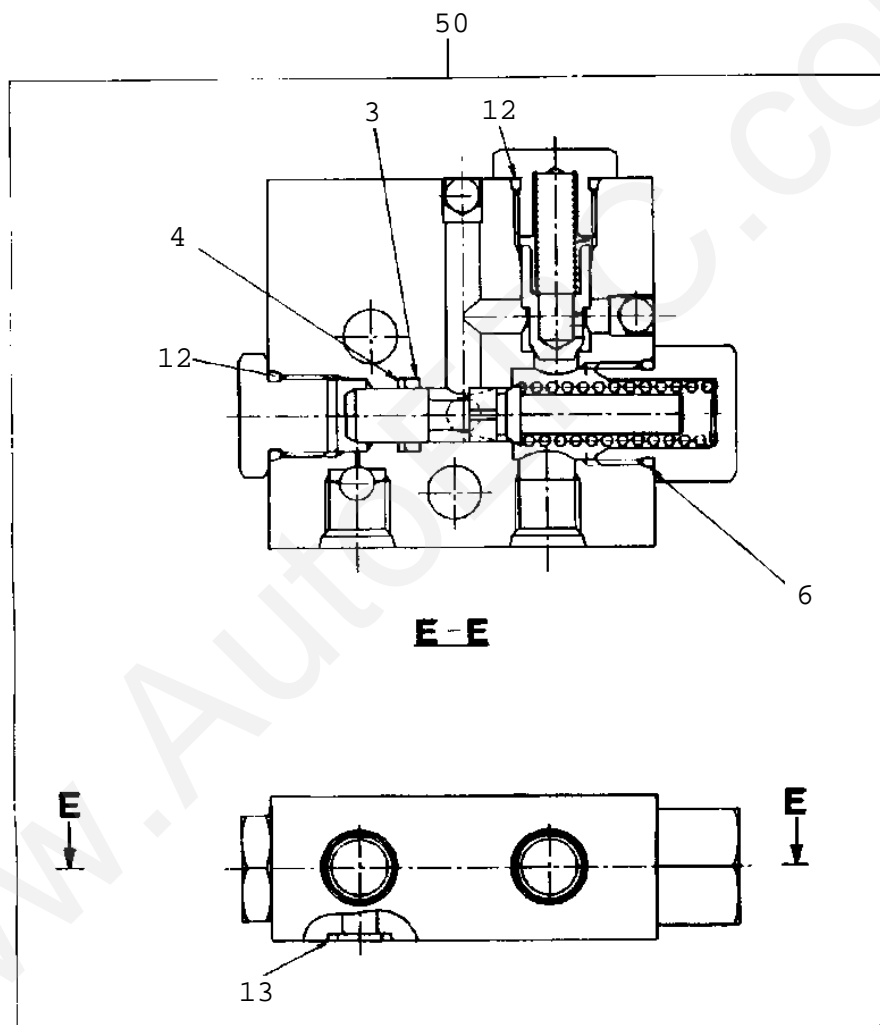


**TM-ZF360 41102210021A FRAME/SL,MANUAL**

Pos No.	Parts No	Parts Name	Qty	Unit	Technical Data	Serial No (Start)
3	91001203500	O-RING	1		1A G35	
8	91002801600	O-RING	1		1B P16	
13	91001101200	O-RING	2		1A P12	
14	91002801800	O-RING	1		1B P18	
20	36602100000	VALVE , COUNTERBALANCE	1			

www.AutoEPC.com

TM-ZF360 41102210021A FRAME/SL, MANUAL  
PI1250073-01 VALVE, COUNTERBALANCE (ELEVATING)



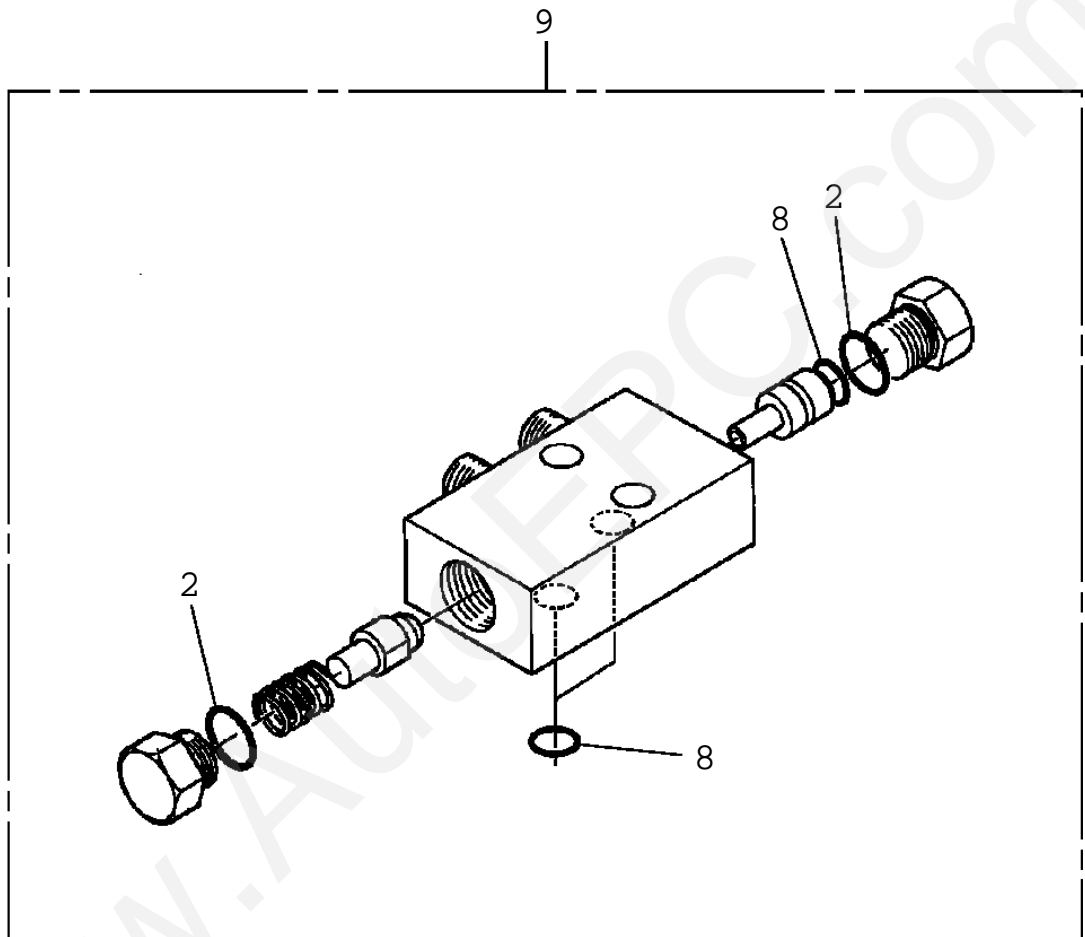
**TM-ZF360 41102210021A FRAME/SL,MANUAL**

Pos No.	Parts No	Parts Name	Qty	Unit	Technical Data	Serial
3	91001101100	O-RING	1		1A P11	
4	91411001100	RING,BACKUP	1			
6	91001101800	O-RING	1		1A P18	
12	91001101400	O-RING	2		1A P14	
13	91002801000	O-RING	2		1B P10	
50	36604060000	VALVE,COUNTERBALANCE (ELEVATING)	1			

www.AutoEPC.com



TM-ZF360 41102210021A FRAME/SL, MANUAL  
PI1280060-03 VALVE, PILOT CHECK

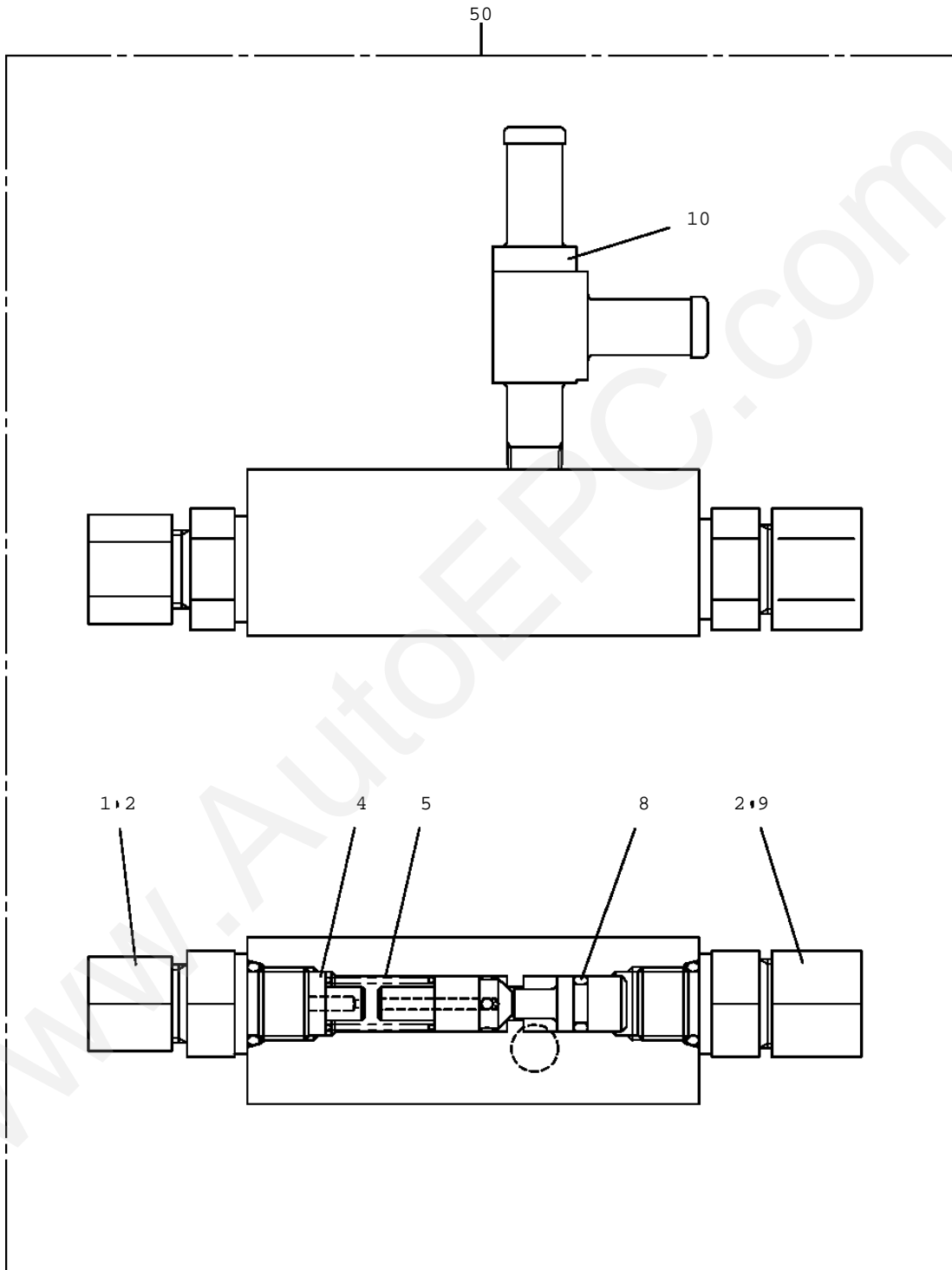


**TM-ZF360 41102210021A FRAME/SL,MANUAL**

Pos No.	Parts No	Parts Name	Qty	Unit	Technical Data	Serial No (Start)	Se
2	91002801400	O-RING	2		1B P14		
8	91002800700	O-RING	3		1B P7		
9	36620140000	VALVE,PILOT CHECK	1				

www.AutoEPC.com

TM-ZF360 41102210021A FRAME/SL, MANUAL  
PI1280066-01 VALVE, PILOT CHECK

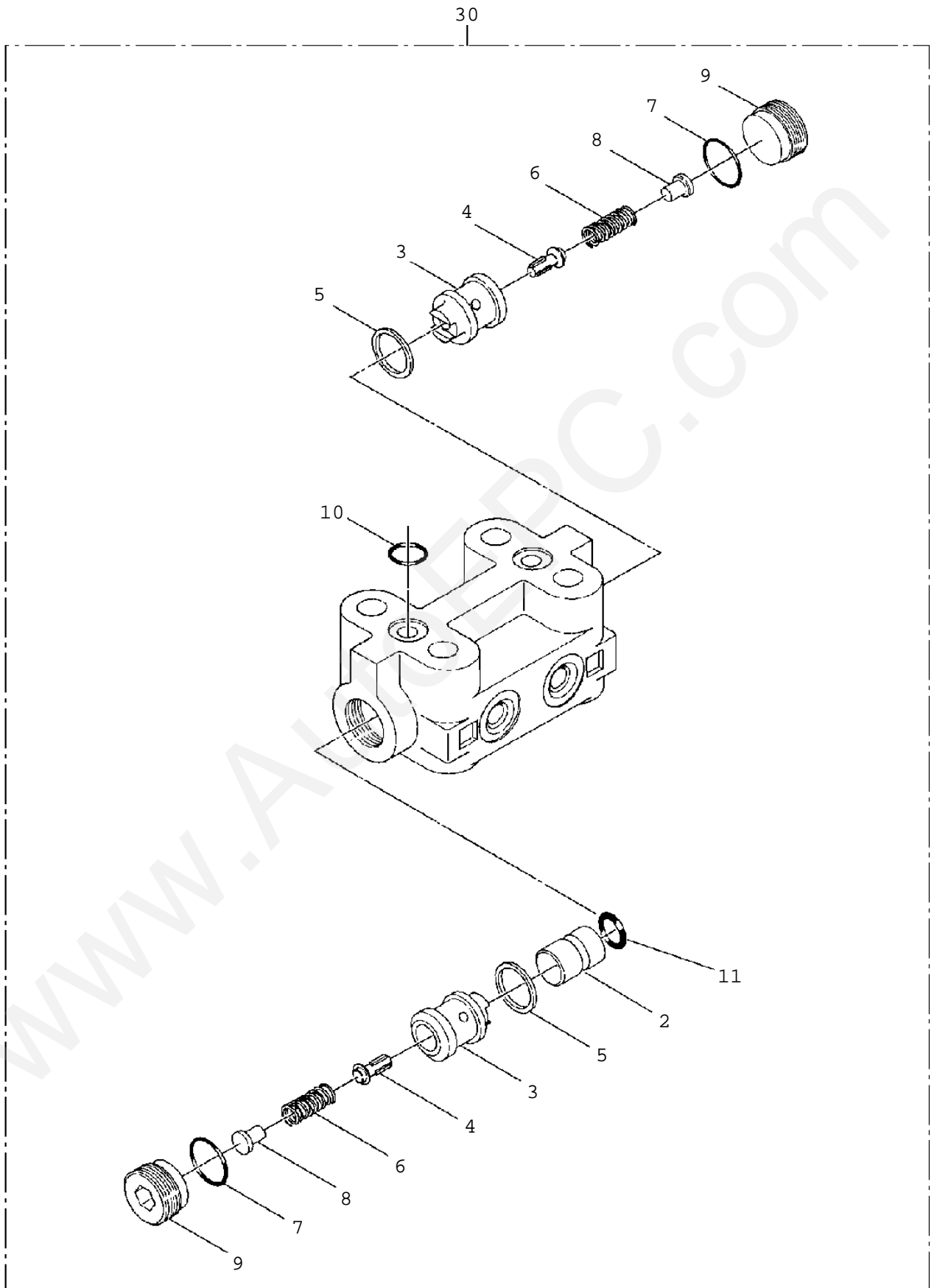


**TM-ZF360 41102210021A FRAME/SL,MANUAL**

Pos No.	Parts No	Parts Name	Qty	Unit	Technical Data	Serial No (Start)	Se
1	80302120040	FITTING	1		POA08PF1/4		
2	91002801100	O-RING	2		1B P11		
4	36624670300	PIN	1				
5	12515186000	SPRING	1				
8	91002800700	O-RING	1		1B P7		
9	80302120060	FITTING	1		POA10PF1/4		
10	80400160206	JOINT	1				
50	36624670000	VALVE,PILOT CHECK	1				

www.AutoEPC.com

TM-ZF360 41102210021A FRAME/SL, MANUAL  
PI1280067-00 VALVE, PILOT CHECK



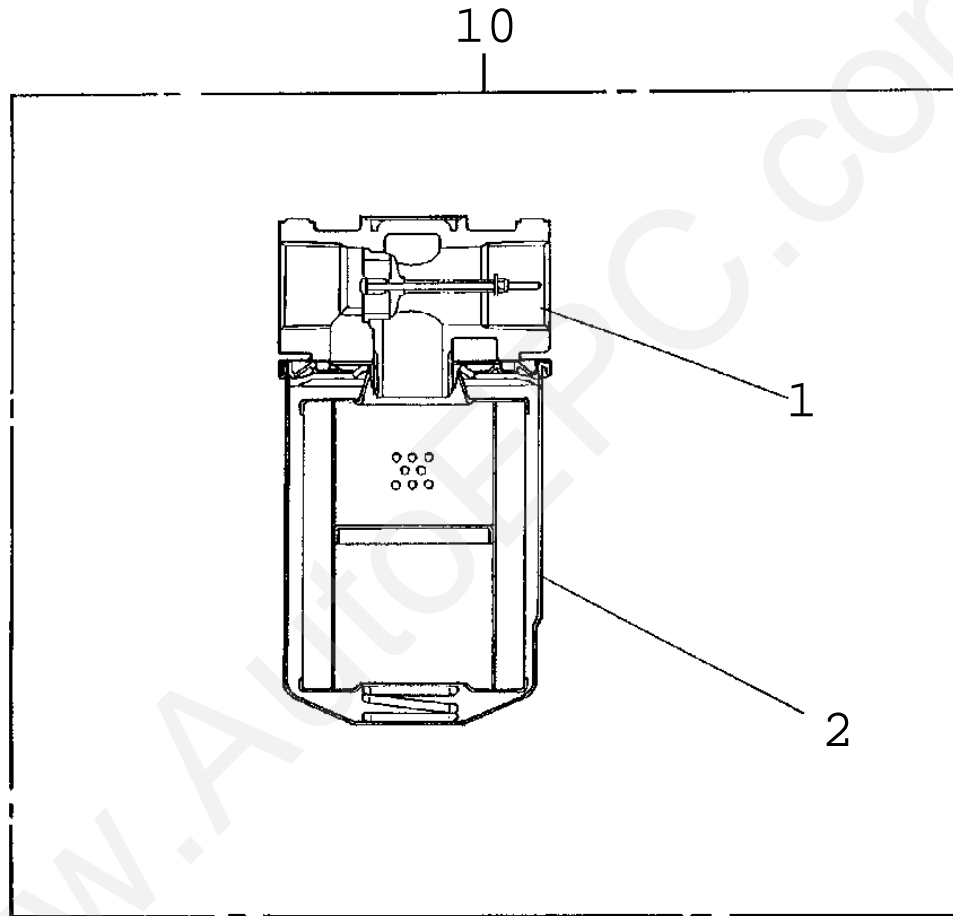
**TM-ZF360 41102210021A FRAME/SL,MANUAL**

Pos No.	Parts No	Parts Name	Qty	Unit	Technical Data	Serial No (Start)	Se
2	36624205200	PISTON	1				
3	36624690100	HOUSING	2				
4	36624205400	VALVE,PILOT	2				
5	50815054503	PACKING	2				
6	50815054603	SPRING	2				
7	91002801800	O-RING	2		1B P18		
8	50815054703	PIN (STOP)	2				
9	36623835900	PLUG	2				
10	91002801200	O-RING	2		1B P12		
11	36623825200	CAP (SEAL)	1				
30	36624690000	VALVE,PILOT CHECK	1				

www.AutoEPC.com

TM-ZF360 41102210021A FRAME/SL,MANUAL  
PI1300061-02 FILTER,OIL (YAMASHIN)

Assembly Name FILTER, OIL

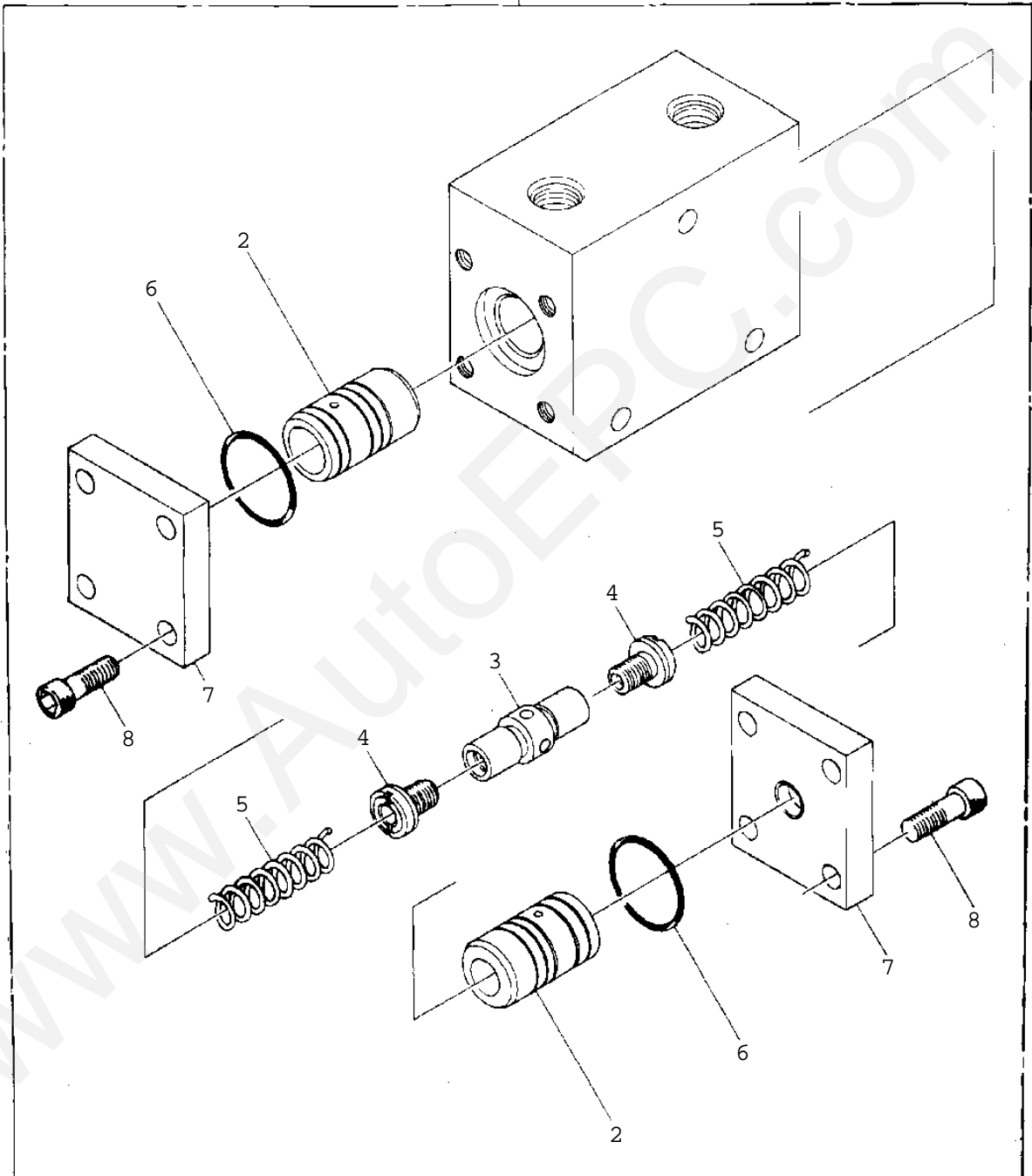


**TM-ZF360 41102210021A FRAME/SL,MANUAL**

Pos No.	Parts No	Parts Name	Qty	Unit	Technical Data	Serial No (Start)
1	36672285010	HEAD ASSY	1			
2	36670109511	FILTER,CARTRIDGE	1			
10	36672280000	FILTER,OIL (YAMASHIN)	1			

www.AutoEPC.com



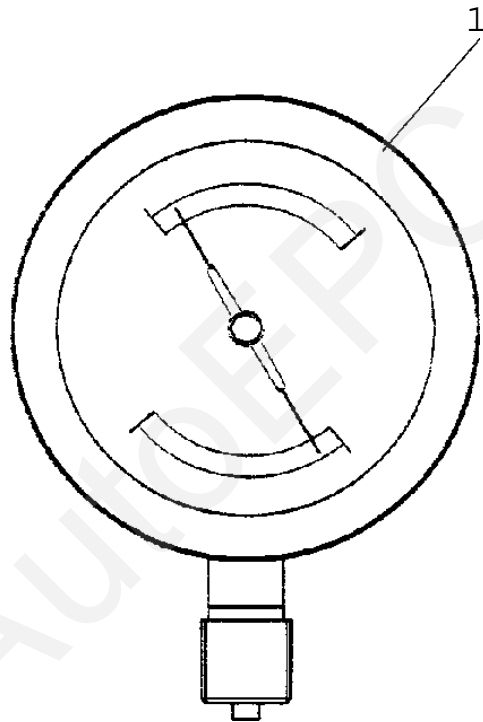


**TM-ZF360 41102210021A FRAME/SL,MANUAL**

Pos No.	Parts No	Parts Name	Qty	Unit	Technical Data	S
2	36611135200	SLEEVE	2			
3	36611135300	SPOOL	1			
4	36611135400	RETAINER (SPRING)	2			
5	36611135500	SPRING	2			
6	91002903000	O-RING	2		1B G30	
7	36611135600	COVER	2			
8	90131708020	BOLT,HEXAGON SOCKET	8		M8X20	
20	36611130000	VALVE,DIVIDING & COMBINING (MURAKAMI)	1			

www.AutoEPC.com

TM-ZF360 41102210021A FRAME/SL, MANUAL  
PI1440017-00 METER, LOAD (3.0TON NAGANO/FRENCH)

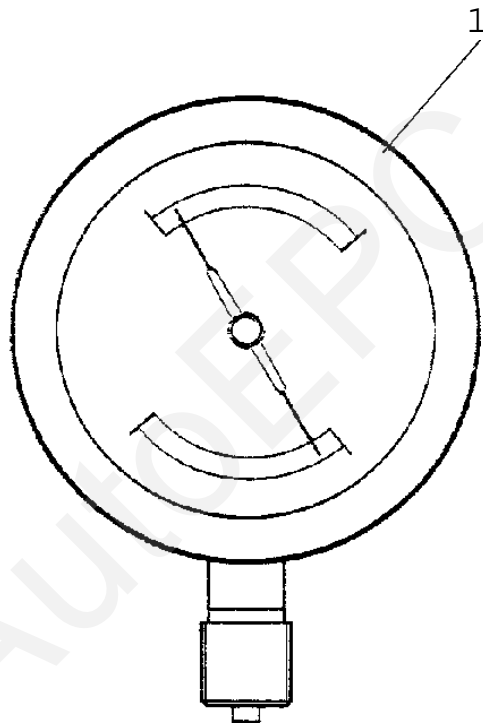


**TM-ZF360 41102210021A FRAME/SL,MANUAL**

Pos No.	Parts No	Parts Name	Qty	Unit	Technical Data	Serial
1	36682740000	METER,LOAD (3.0TON NAGANO/FRENCH)	1			

www.AutoEPC.com

TM-ZF360 41102210021A FRAME/SL, MANUAL  
PI1440020-00 METER, LOAD (3.0TON NAGANO/ENGLISH)



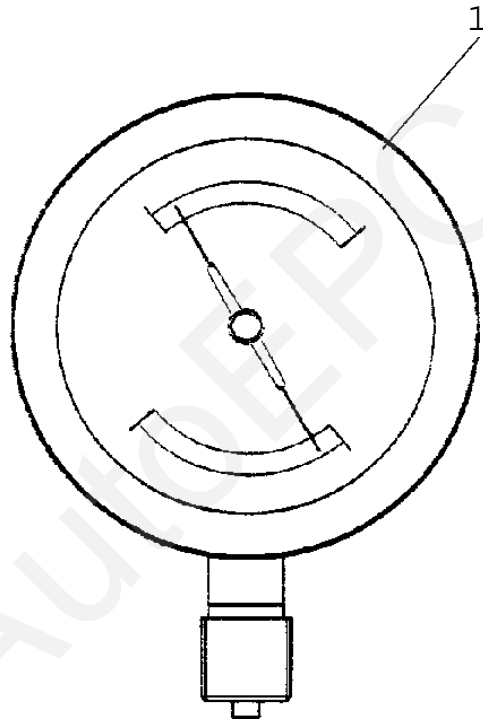
www.AutoParts.com

**TM-ZF360 41102210021A FRAME/SL,MANUAL**

Pos No.	Parts No	Parts Name	Qty	Unit	Technical Data	Seri
1	36682270000	METER,LOAD (3.0TON NAGANO/ENGLISH)	1			

www.AutoEPC.com

TM-ZF360 41102210021A FRAME/SL, MANUAL  
PI1440021-00 METER, LOAD (3.0TON ENG.&RUSSIAN/NAGANO)



www.AutoEPC.com

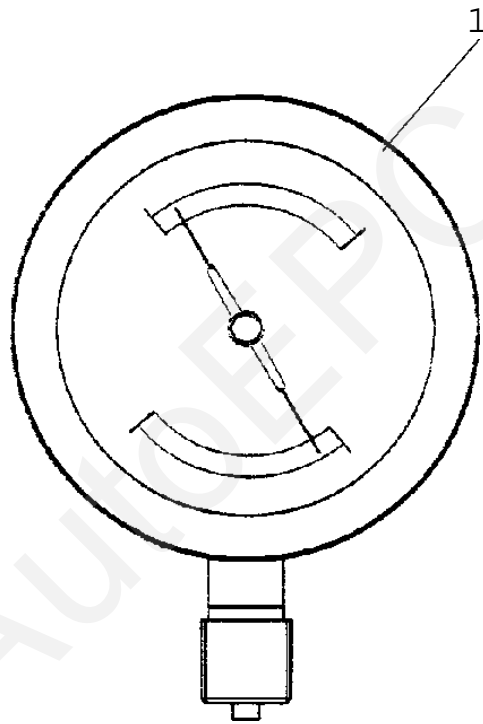
**TM-ZF360 41102210021A FRAME/SL,MANUAL**

Pos No.	Parts No	Parts Name	Qty	Unit	Technical Data
1	36682400000	METER,LOAD (3.0TON ENG.&RUSSIAN/NAGANO)	1		

www.AutoEPC.com



TM-ZF360 41102210021A FRAME/SL, MANUAL  
PI1440022-00 METER, LOAD (3.2TON ENG.&CHINESE/NAGANO)

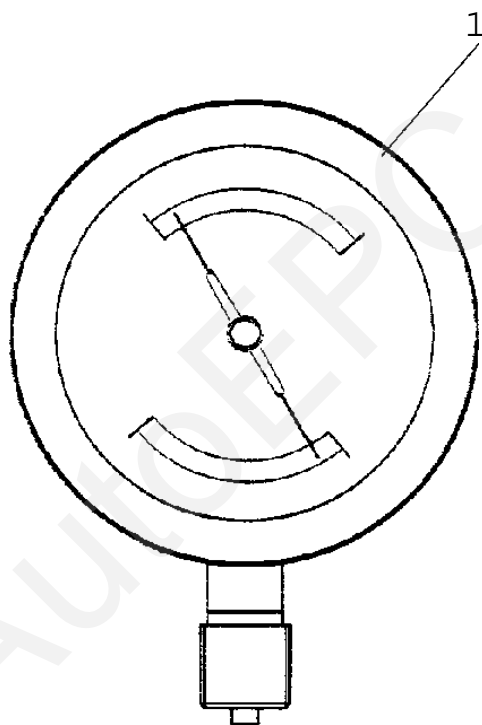


**TM-ZF360 41102210021A FRAME/SL,MANUAL**

Pos No.	Parts No	Parts Name	Qty	Unit	Technical Data
1	36682940000	METER,LOAD (3.2TON ENG.&CHINESE/NAGANO)	1		

www.AutoEPC.com

TM-ZF360 41102210021A FRAME/SL,MANUAL  
PI1440023-00 METER,LOAD (7000IDS ENGLISH/NAGANO)



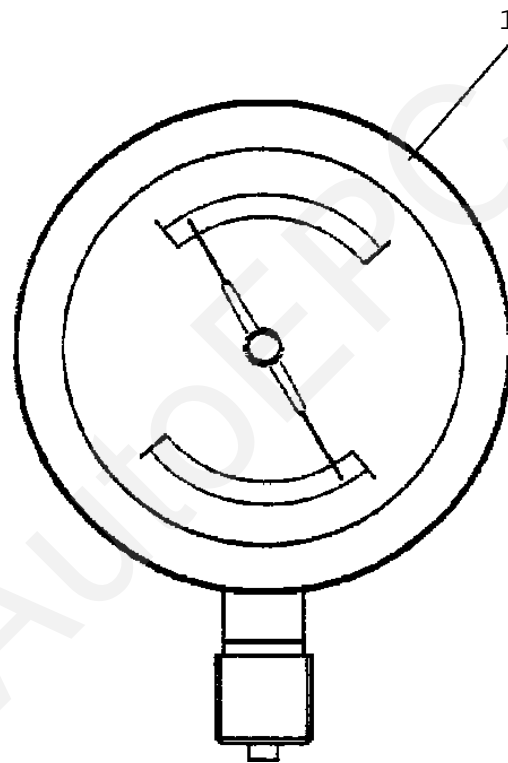
www.AutoEPC.com

**TM-ZF360 41102210021A FRAME/SL,MANUAL**

Pos No.	Parts No	Parts Name	Qty	Unit	Technical Data	Ser
1	36683350000	METER,LOAD (7000IDS ENGLISH/NAGANO)	1			

www.AutoEPC.com

TM-ZF360 41102210021A FRAME/SL, MANUAL  
PI1440035-01 METER, LOAD (2.9TON KUSABA/ENG.& JAPANESE)

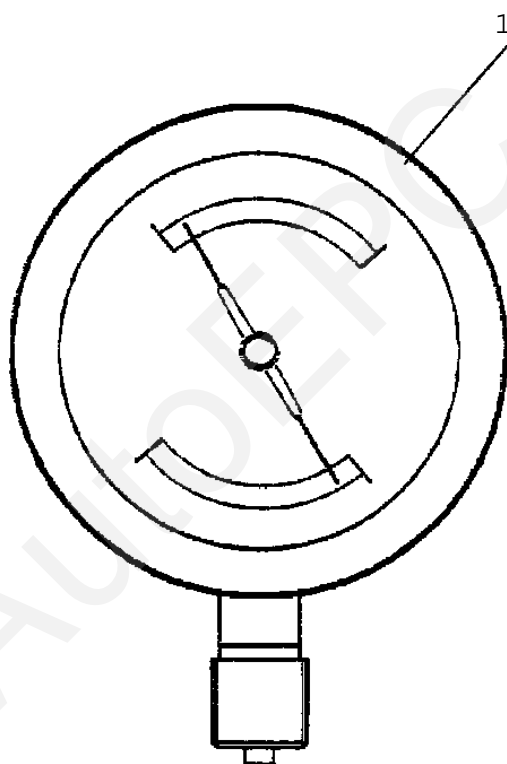


**TM-ZF360 41102210021A FRAME/SL,MANUAL**

Pos No.	Parts No	Parts Name	Qty	Unit	Technical Dat
1	36682150000	METER,LOAD (2.9TON KUSABA/ENG.& JAPANESE)	1		

www.AutoEPC.com

TM-ZF360 41102210021A FRAME/SL, MANUAL  
PI1440036-01 METER, LOAD (2.9TON NAGANO/ENG.& JAPANESE)



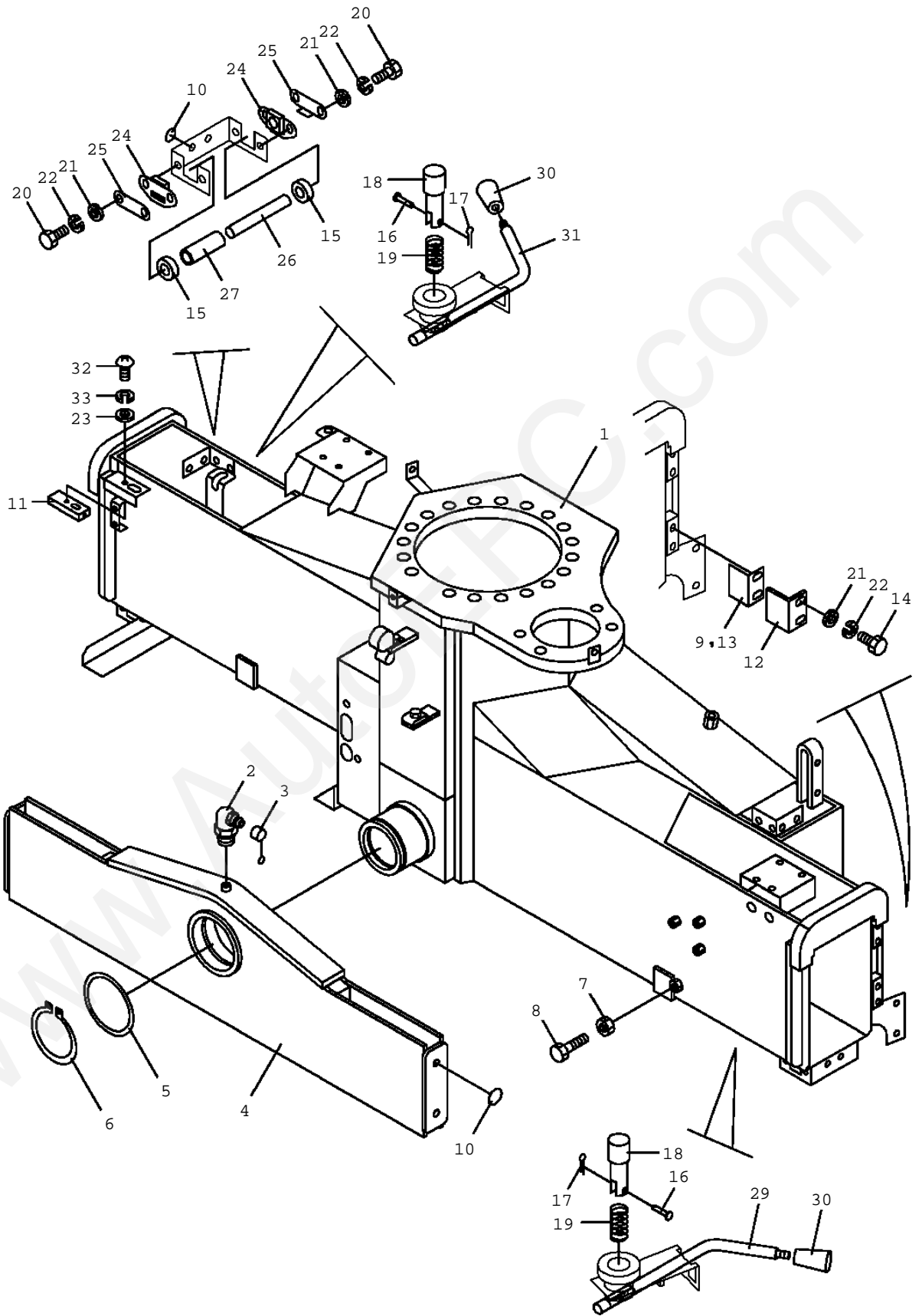
**TM-ZF360 41102210021A FRAME/SL,MANUAL**

Pos No.	Parts No	Parts Name	Qty	Unit	Technical Dat
1	36682160000	METER,LOAD (2.9TON NAGANO/ENG.& JAPANESE)	1		

www.AutoEPC.com



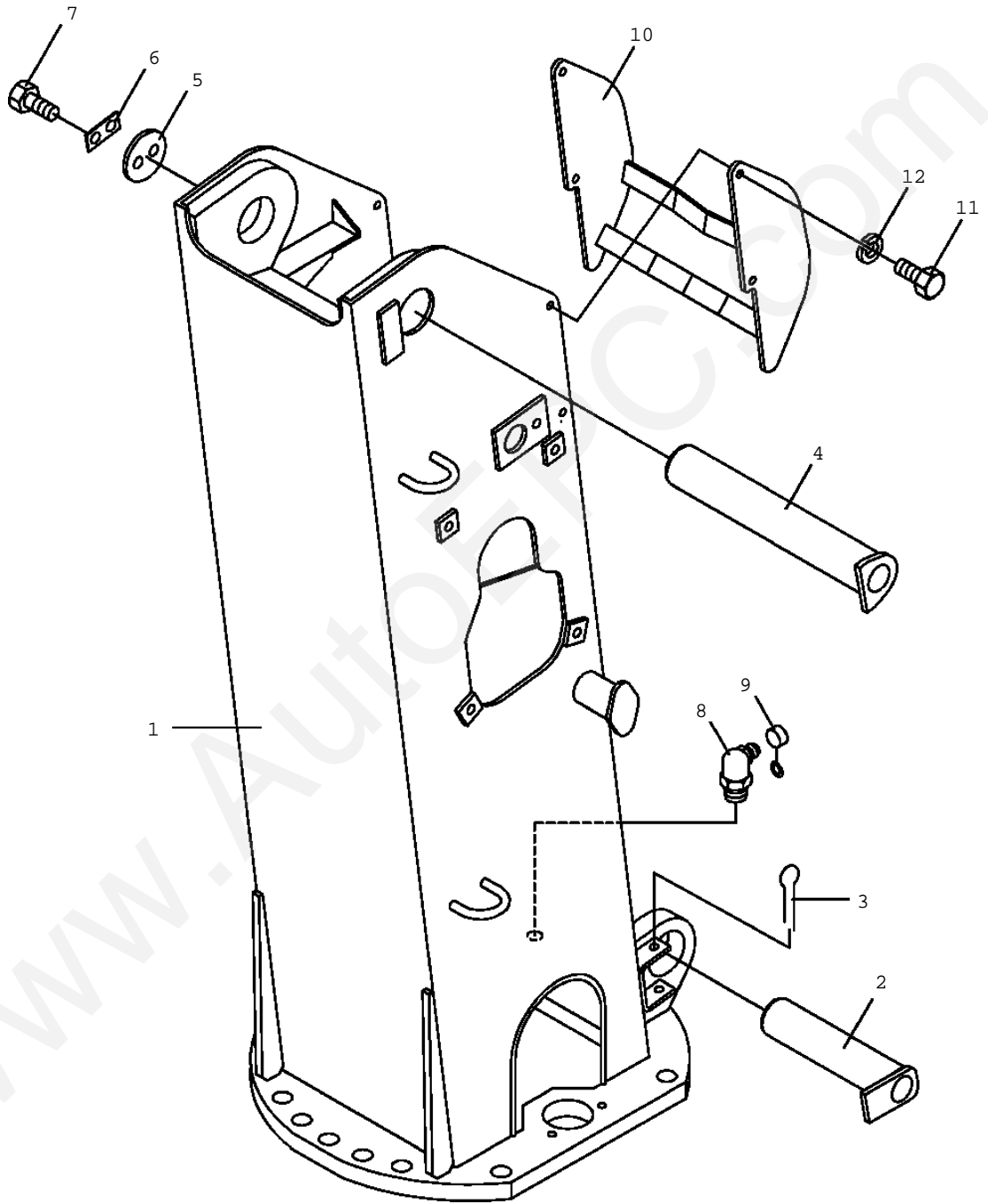
TM-ZF360 41102210021A FRAME/SL, MANUAL  
PK1010385-00 FRAME



**TM-ZF360 41102210021A FRAME/SL, MANUAL**

Pos No.	Parts No	Parts Name	Qty	Unit	Technical Data	Serial No (Start)
1	31622110101	FRAME ASSY	1			
2	82459103000	NIPPLE, GREASE	1		C-PT1/8	
3	82400000459	CAP	1			
4	31621961600	FRAME	1			
5	37000520580	PLATE	1			
6	80601110950	RING, RITAINING	1		S95	
7	90203201600	NUT	2		M16	
8	90101216045	BOLT	2		M16X45	
9	31622202200	SHIM	4		T=1.6	
10	82400000475	PLATE	8			
11	82400000470	LEVEL	1			
12	31622042200	SPACER	4			
13	31622042300	SHIM	8		T=0.5	
14	90101208018	BOLT	8		M8X18	
15	80530000225	BEARING, BALL (KOYO)	4			
	31620582020	BEARING, BALL (KOYO)	4			KB7532
16	37000130970	PIN	2		L=24	
17	80136320010	PIN, SPLIT	2		2X10	
18	31622110300	PIN	2			
19	37001200720	SPRING	2			
20	90101208014	BOLT	8		M8X14	
21	90303070801	WASHER, PLAIN	16		8	
22	90302040801	WASHER, SPRING	16		8	
23	90303070601	WASHER, PLAIN	1		6	
24	31621962100	SUPPORT	4			
25	31621962200	PLATE	12		T=0.5	
26	37000161010	PIN	2			
27	37000309980	SPACER	2		L=60	
29	31622260300	LEVER	1			
30	19114207000	KNOB (BLACK)	2			
31	31622260200	LEVER	1			
32	80183306016	SCREW, MACHINE	1		M6X16	
33	90302040601	WASHER, SPRING	1		6	

TM-ZF360 41102210021A FRAME/SL, MANUAL  
PK1100192-00 SWING FRAME

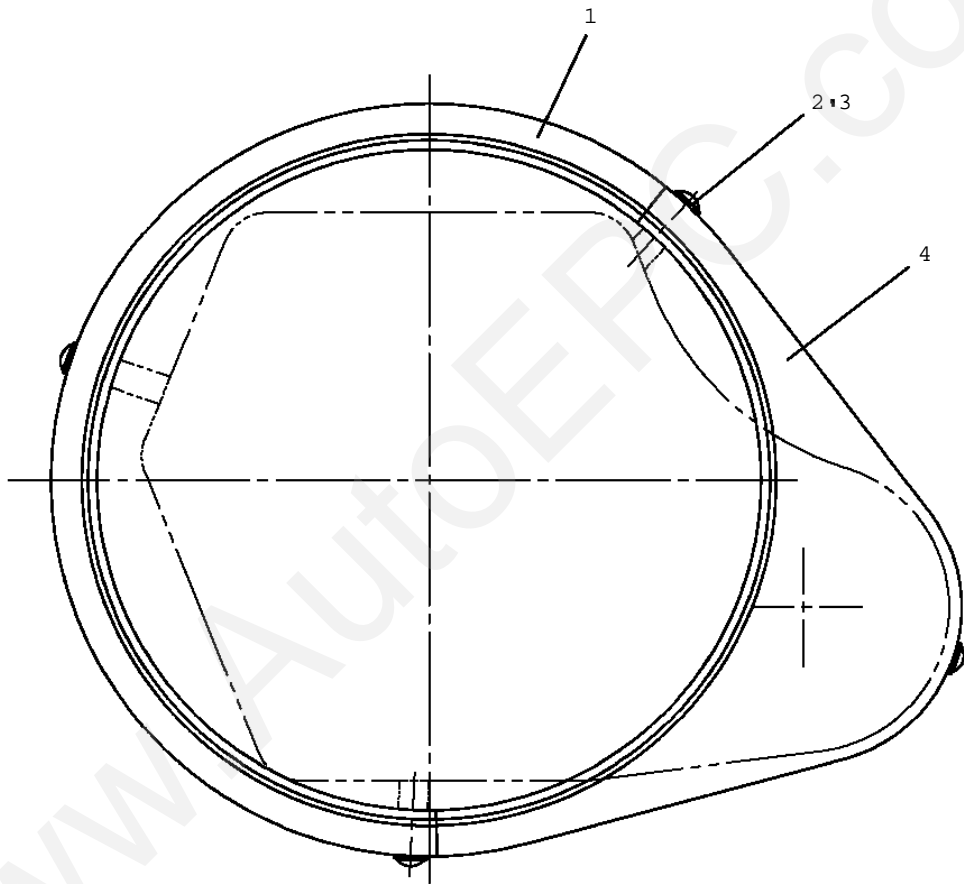


**TM-ZF360 41102210021A FRAME/SL,MANUAL**

Pos No.	Parts No	Parts Name	Qty	Unit	Technical Data	Serial No (Start)	Seri
1	31230580100	POST	1				
2	37000202780	PIN (WELDING)	1				
	37000205240	PIN (MACHINING)	1			EP4109	
3	80136363080	PIN,SPLIT	1		6.3X80		
4	37000202270	PIN (WELDING)	1				
	37000205260	PIN (MACHINING)	1			EP4109	
5	31230412000	COVER	1				
6	37000527860	PLATE	1				
7	90101210016	BOLT	2		M10X16		
8	82458202000	NIPPLE,GREASE	1		B-TYPE PT1/8		
9	82400000459	CAP	1				
10	31230582200	COVER	1				
11	90101208012	BOLT	4		M8X12		
12	90302040801	WASHER,SPRING	4		8		

www.AutoEPC.com

TM-ZF360 41102210021A FRAME/SL, MANUAL  
PK1200221-00 COVER, SWING FRAME

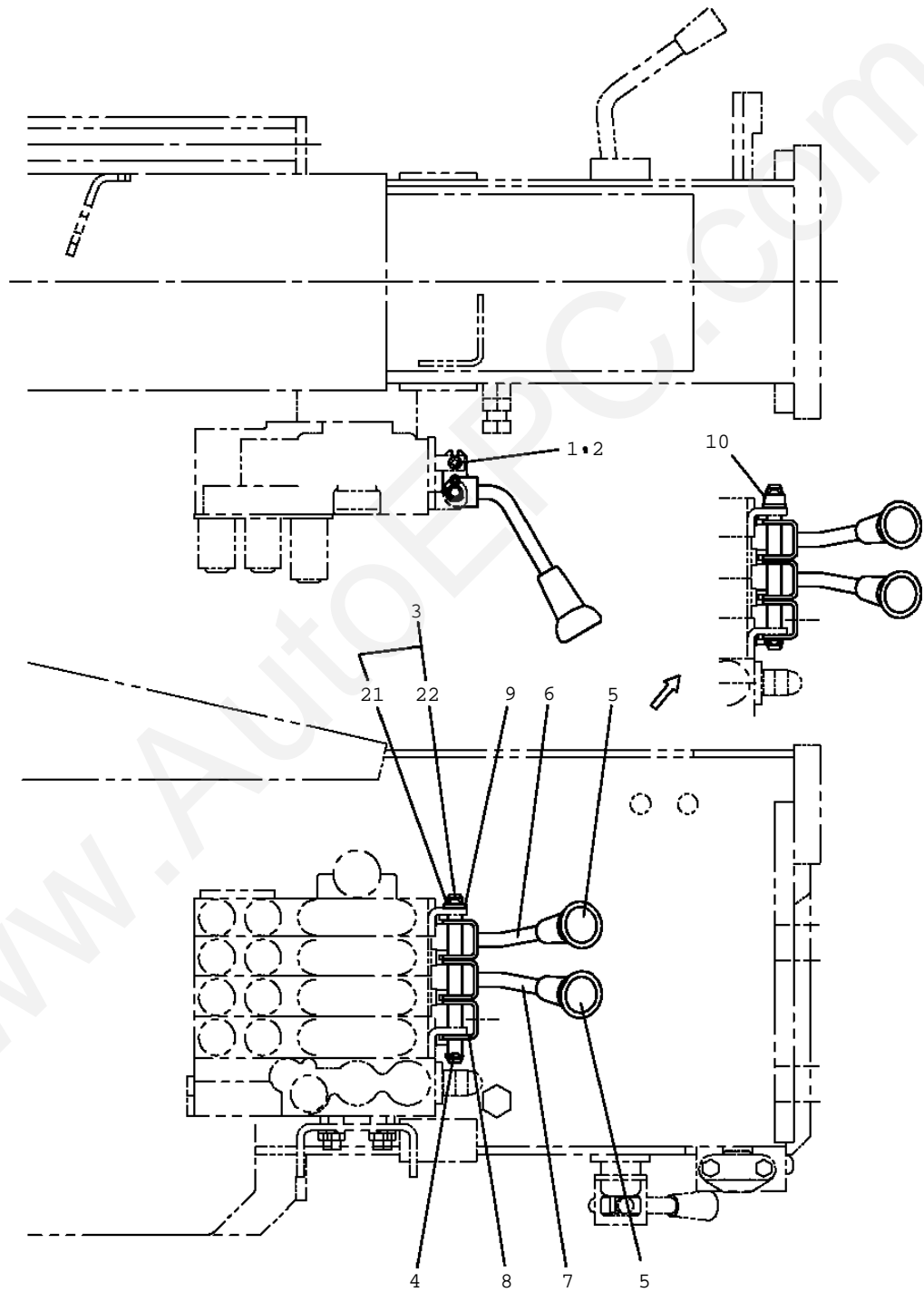


**TM-ZF360 41102210021A FRAME/SL,MANUAL**

Pos No.	Parts No	Parts Name	Qty	Unit	Technical Data	Serial No (Start)	Serial
1	31300640300	COVER	1				
2	80183308014	SCREW, MACHINE	4		M8X14		
3	90303071001	WASHER, PLAIN	4		10		
4	31300640400	COVER	1				

www.AutoEPC.com

TM-ZF360 41102210021A FRAME/SL, MANUAL  
PL1010595-02 OPE.ASSY,CONT.VALVE (WINCH)



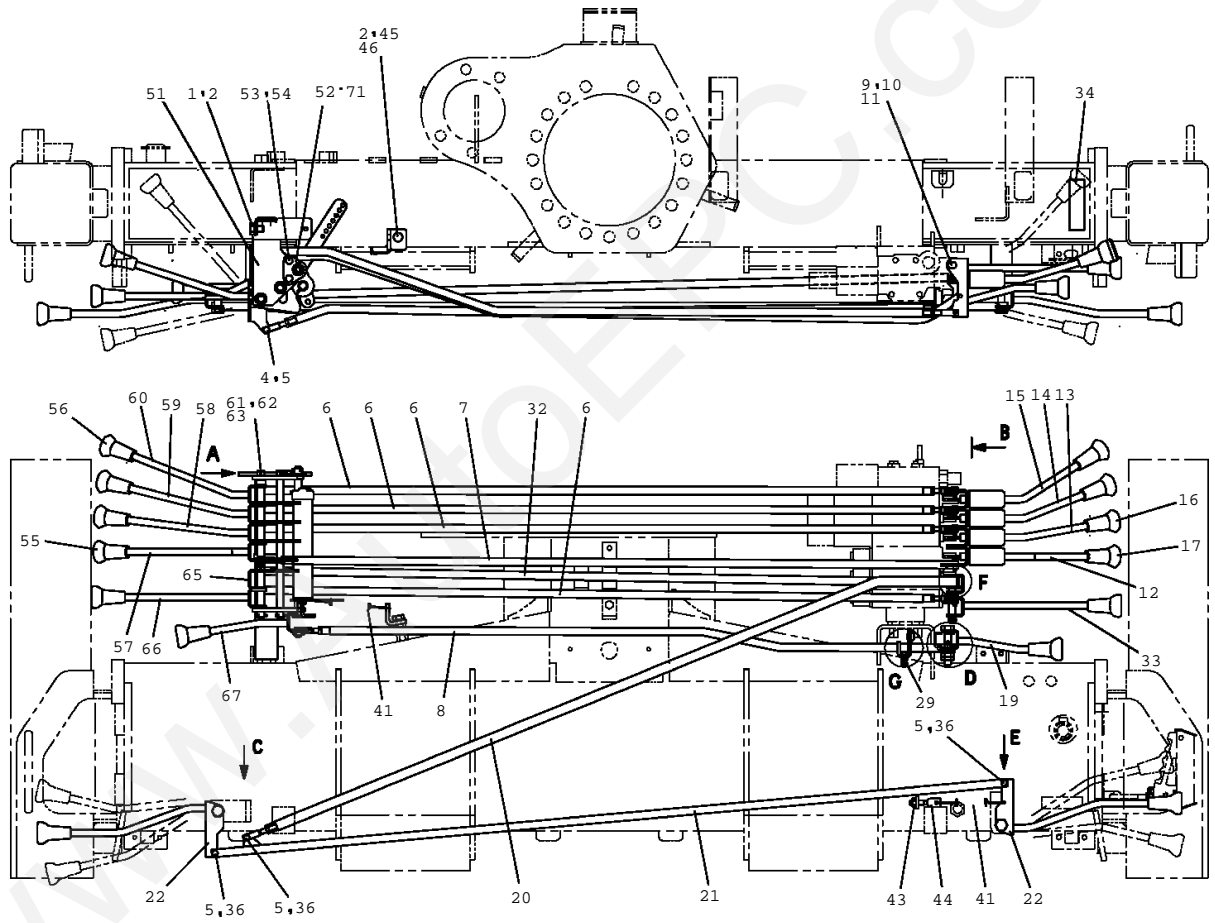
**TM-ZF360 41102210021A FRAME/SL,MANUAL**

Pos No.	Parts No	Parts Name	Qty	Unit	Technical Data	Serial No (Start)	Serial :
1	37000105610	PIN	4		L=18		
2	80620210050	PIN,SNAP	4				
3	37000160130	PIN ASSY	1				
4	80136340020	PIN,SPLIT	1		4X20		
5	31322050510	KNOB (BLACK)	2				
6	31322160101	LEVER	1				
7	31322160201	LEVER	1				
8	31322160150	FORK	1				
9	31322490100	PLATE	1				
10	37000306130	SPACER	1		L=8	EE5764	
21	80136340020	PIN,SPLIT	1		4X20		
22	37000160140	PIN	1				

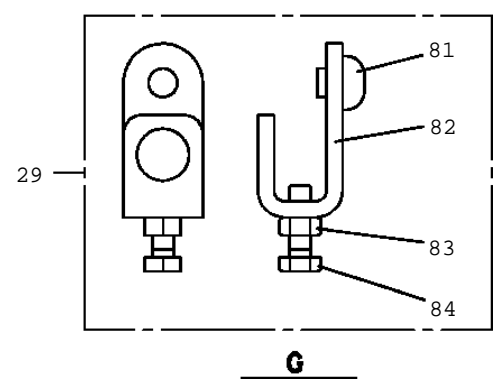
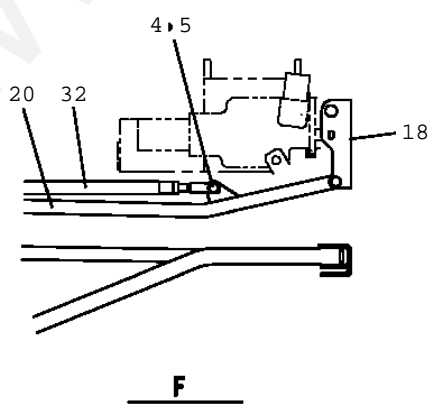
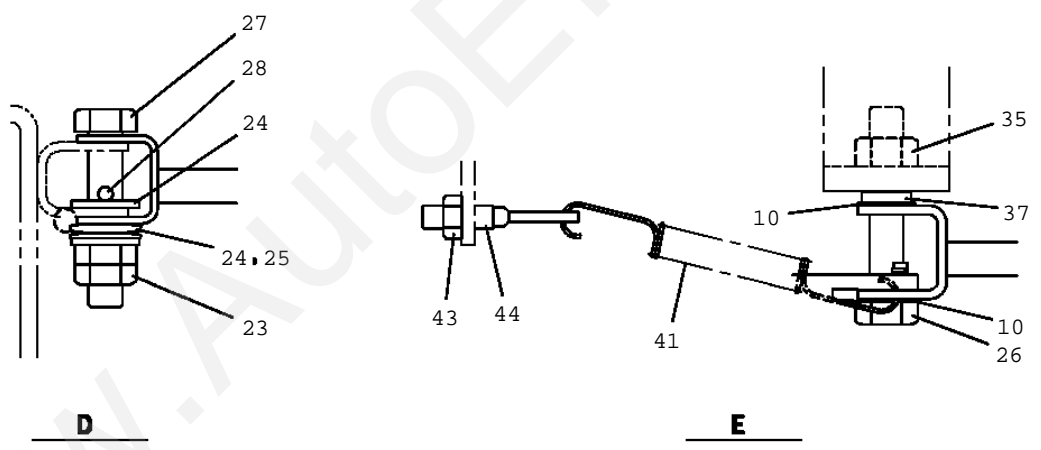
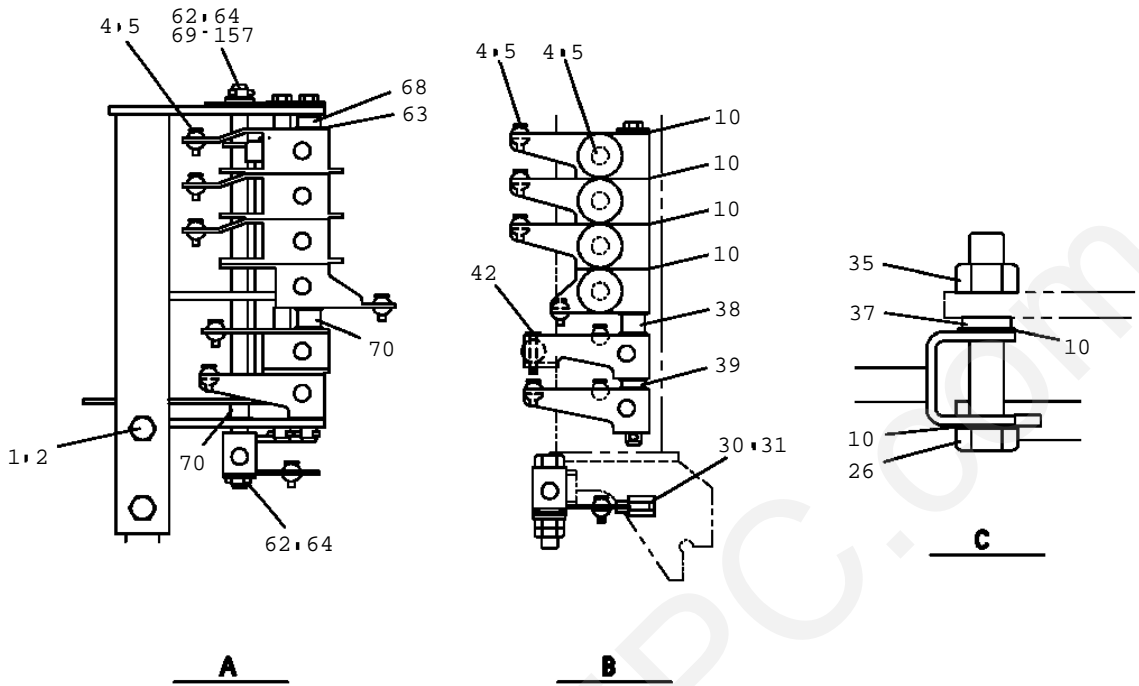
www.AutoEPC.com



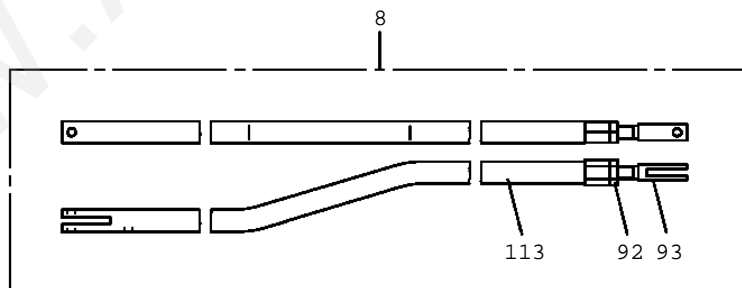
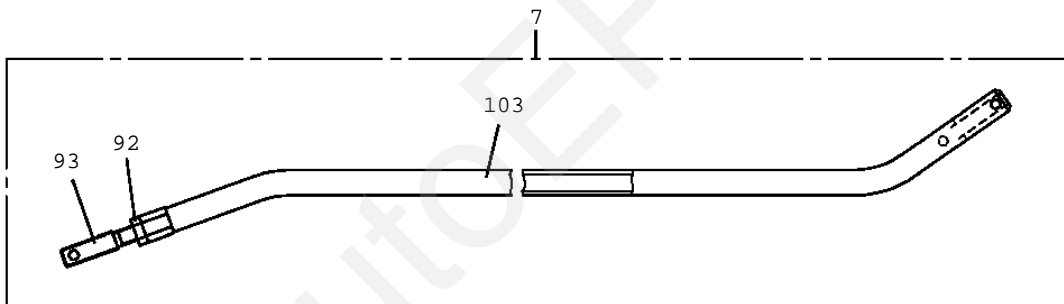
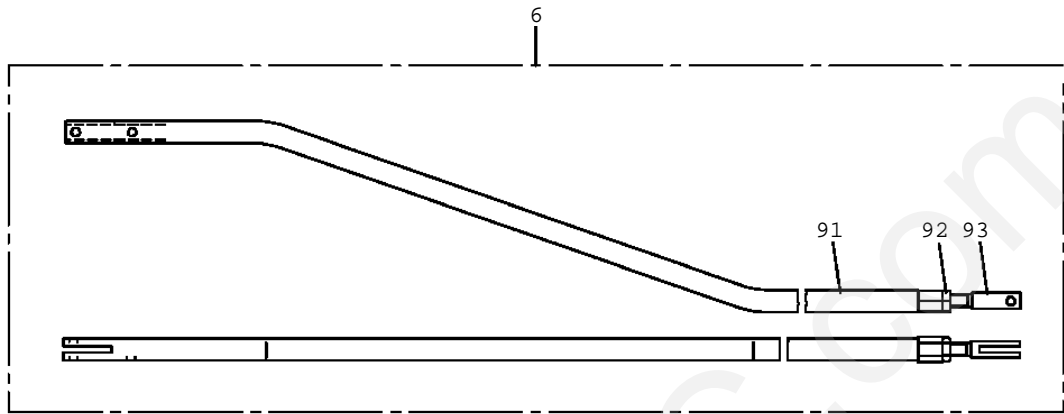
TM-ZF360 41102210021A FRAME/SL, MANUAL  
PL1010601-02 OPE.ASSY,CONT.VALVE (CRANE)



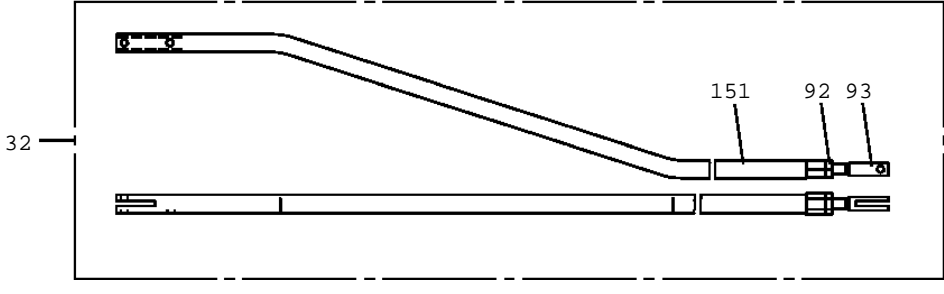
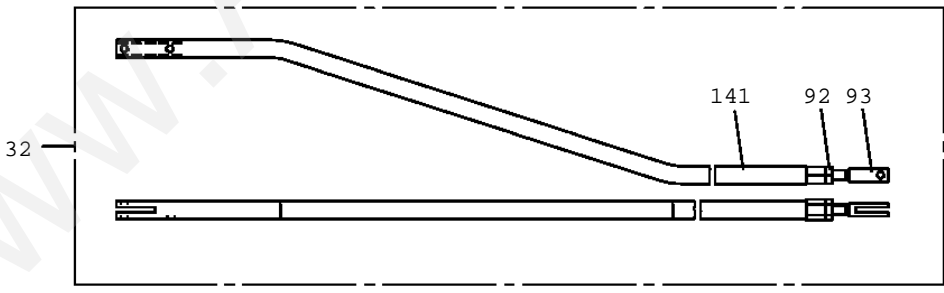
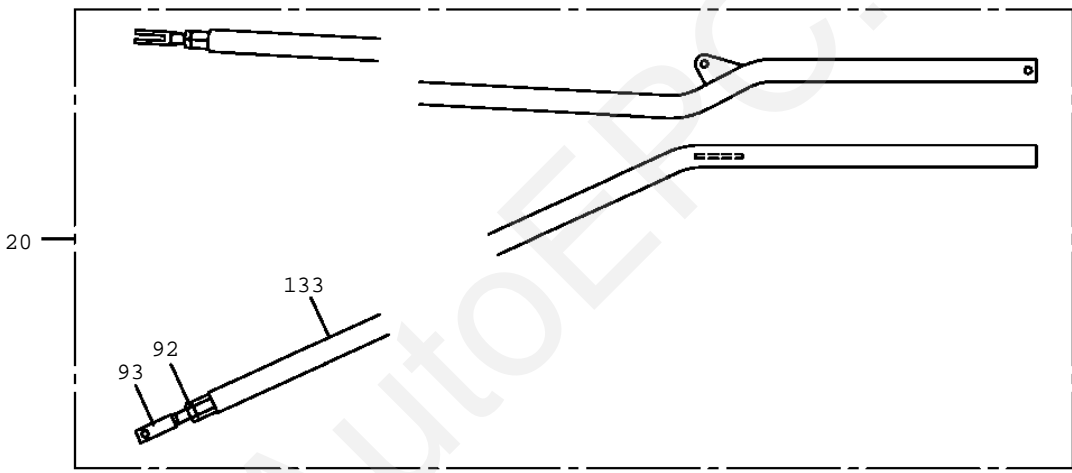
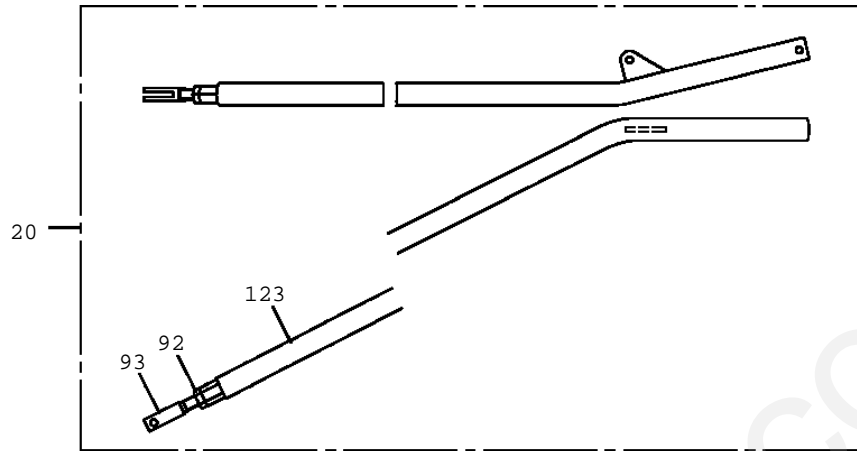
TM-ZF360 41102210021A FRAME/SL, MANUAL  
 PL1010601-02 OPE.ASSY,CONT.VALVE (CRANE)



TM-ZF360 41102210021A FRAME/SL, MANUAL  
PL1010601-02 OPE.ASSY,CONT.VALVE (CRANE)



TM-ZF360 41102210021A FRAME/SL, MANUAL  
PL1010601-02 OPE.ASSY,CONT.VALVE (CRANE)



**TM-ZF360 41102210021A FRAME/SL, MANUAL**

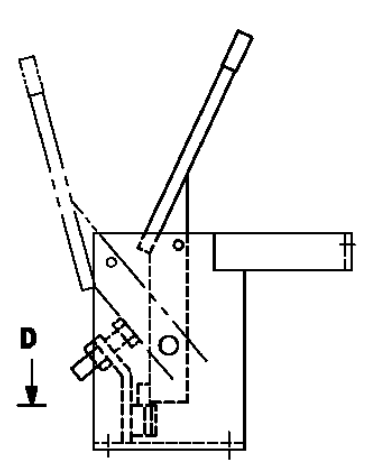
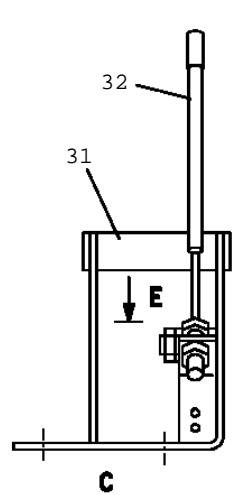
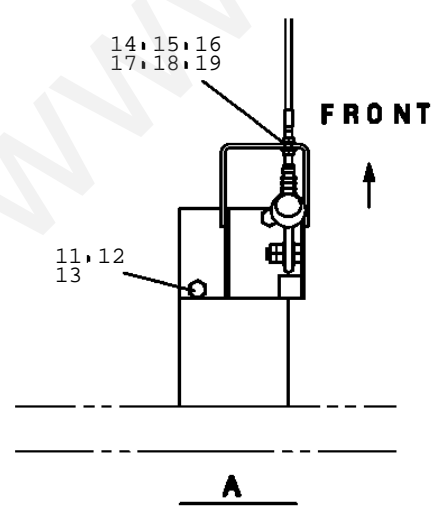
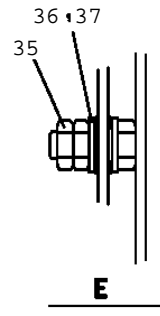
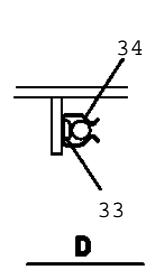
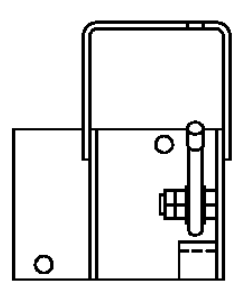
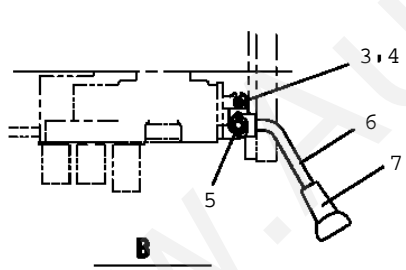
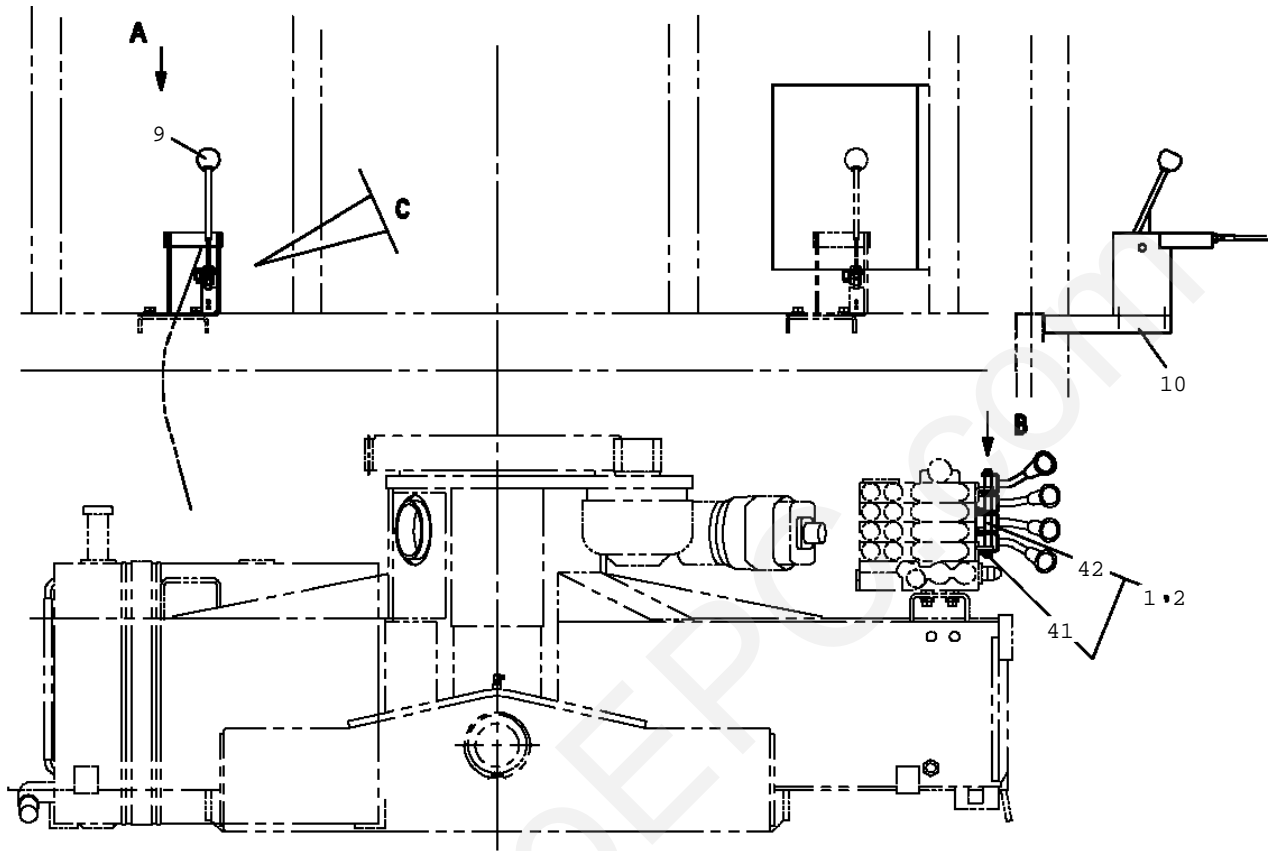
Pos No.	Parts No	Parts Name	Qty	Unit	Technical Data	Serial No (Start)
1	90171110016	BOLT	4		M10X16	
2	90302041001	WASHER, SPRING	5		10	
4	37000105610	PIN	20		L=18	
5	80620210050	PIN, SNAP	24			
6	31322102100	ROD ASSY	4			
7	31322032600	ROD ASSY	1			
8	31322102200	ROD ASSY	1			
9	37000164970	PIN	1			
10	31322224200	PLATE	12		L=1	
	31322224200	PLATE	10		L=1	EE5734
	31322224200	PLATE	6		L=1	EE6455
11	80136340020	PIN, SPLIT	1		4X20	
12	31322103101	LEVER	1			
13	31322103151	LEVER	1			
14	31322103201	LEVER	1			
15	31322103251	LEVER	1			
16	31322050510	KNOB (BLACK)	7			
17	31322050560	KNOB (RED)	1			
18	31322100200	FORK	1			
19	31322052551	LEVER	1			
20	31322102300	ROD ASSY	1			
	31322102301	ROD ASSY	1			EE4931
21	31322102400	ROD	1			
22	31322193601	LEVER	2			
23	90203201200	NUT	2		M12	
24	90303071201	WASHER, PLAIN	2		12	
25	90309331205	WASHER, CONICAL SPRING	2		L12	
26	90101212070	BOLT	2		M12X70	
27	31322050600	BOLT	1			
28	80136350022	PIN, SPLIT	1		5X22	
29	31322050750	SUPPORT ASSY	1			
30	12434402040	SPRING	1			
31	80172305008	SCREW, MACHINE	2		M5X8	
32	31322102500	ROD ASSY	1			
	31322102501	ROD ASSY	1			EE4931
33	31322053101	LEVER	1			
34	31322030700	PLATE, CAUTION	1			
35	90201201200	NUT	2		M12	
36	37000147840	PIN	3			
37	37000307020	SPACER	2			
	37000311460	SPACER	2		L=5	EE6455
38	37000302990	SPACER	1		L=14	
	37000311190	SPACER	1		L=16	EE5734
39	37000310210	SPACER	1		L=6	
	37000311470	SPACER	1		L=8	EE6455
41	37001300150	SPRING	2			
42	31322380200	PIN	1			
43	90201200800	NUT	1		M8	
44	31320020071	ADJUSTER	1			
45	31322100100	SUPPORT	1			
46	90101210016	BOLT	1		M10X16	
51	31322461100	SUPPORT	1			
52	31322031150	SUPPORT	1			
53	90101208012	BOLT	2		M8X12	
54	90302040801	WASHER, SPRING	2		8	
55	31322050560	KNOB (RED)	1			
56	31322050510	KNOB (BLACK)	5			
57	31322103401	LEVER	1			
58	31322103451	LEVER	1			
59	31322103501	LEVER	1			
60	31322103551	LEVER	1			
61	37000164920	PIN	2			
62	80136340020	PIN, SPLIT	5		4X20	
63	31322224200	PLATE	10		L=1	
	31322224200	PLATE	8		L=1	EE5734
	31322224200	PLATE	7		L=1	EE6455
64	90303071201	WASHER, PLAIN	2		12	
65	31322223350	FORK	1			
	31322223351	FORK	1			EE7738
66	31322053101	LEVER	1			
67	31322101051	LEVER	1			
68	37000306130	SPACER	1		L=8	
	37000311480	SPACER	1		L=10	EE6455
69	31322101100	LINK	1			

**TM-ZF360 41102210021A FRAME/SL, MANUAL**

Pos No.	Parts No	Parts Name	Qty	Unit	Technical Data	Serial No (Start)
70	37000302990	SPACER	1		L=14	
	37000311190	SPACER	1		L=16	EE5734
71	80824001206	BEARING, PLAIN	2			
81	82466003005	INSULATOR	1			
82	31322050700	SUPPORT	1			
83	90202200600	NUT	1		M6	
84	90101206020	BOLT	1		M6X20	
91	31322032000	ROD	4			
92	90203200800	NUT	8		M8	
93	31320810210	END	8			
103	31322032650	ROD	1			
113	31322102250	ROD	1			
123	31322102350	ROD	1			
133	31322102351	ROD	1			EE4931
141	31322102550	ROD	1			
151	31322102551	ROD	1			EE4931
157	31322031501	ROLLER	1			

www.AutoEPC.com

TM-ZF360 41102210021A FRAME/SL, MANUAL  
 PL1010611-01 OPE.ASSY,CONT.VALVE (SL)

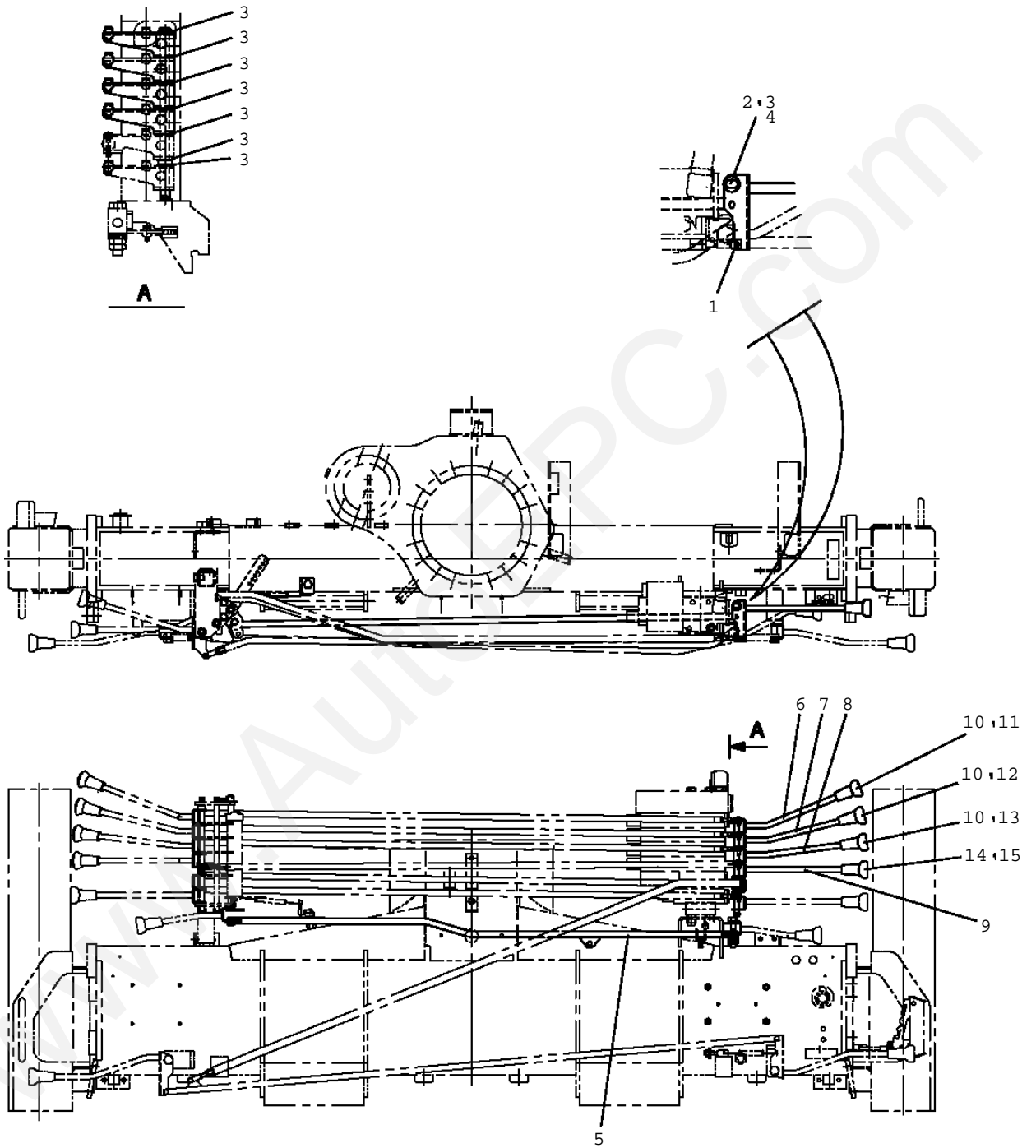


**TM-ZF360 41102210021A FRAME/SL,MANUAL**

Pos No.	Parts No	Parts Name	Qty	Unit	Technical Data	Serial No (Start)	Serial
1	37000157230	PIN ASSY	1				
2	80136340020	PIN,SPLIT	1		4X20		
3	37000105610	PIN	1		L=18		
4	80620210050	PIN,SNAP	1				
5	31322224200	PLATE	1		L=1		
6	31322270101	LEVER	1				
7	31322050510	KNOB (BLACK)	1				
9	11624560000	KNOB	1				
10	31320190090	SUPPORT	1				
11	90101210025	BOLT	2		M10X25		
12	90302041001	WASHER,SPRING	2		10		
13	90201201000	NUT	2		M10		
14	37001706340	CABLE,CONTROL	1		L=4000		
15	31710230100	LINK	1				
16	52442101000	PIN	1				
17	90303070601	WASHER,PLAIN	1		6		
18	80136332016	PIN,SPLIT	1		3.2X16		
19	31710230300	SUPPORT	1				
31	31322271100	SUPPORT	1				
32	31320190260	LEVER	1				
33	80162105006	SCREW,MACHINE	2		M5X6		
34	12434402040	SPRING	1				
35	90203201200	NUT	2		M12		
36	90303071201	WASHER,PLAIN	2		12		
37	90309331201	WASHER	2		L12		
41	80136340020	PIN,SPLIT	1		4X20		
42	37000157220	PIN	1				



TM-ZF360 41102210021A FRAME/SL, MANUAL  
PL1010746-00 OPE.ASSY,CONT.VALVE (RADICON)

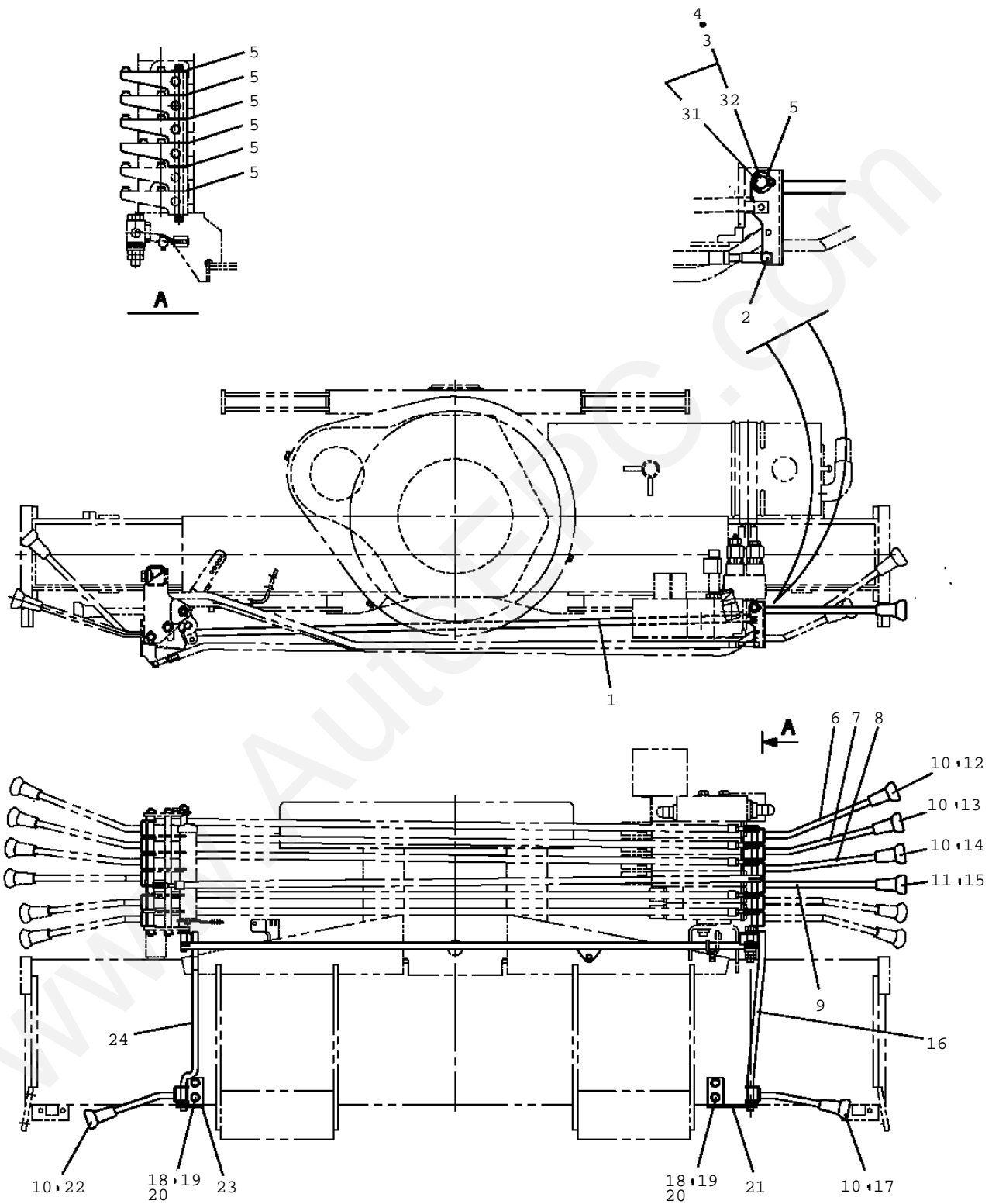


**TM-ZF360 41102210021A FRAME/SL,MANUAL**

Pos No.	Parts No	Parts Name	Qty	Unit	Technical Data	Serial No (Sta
1	80620210050	PIN,SNAP	14			
2	37000164930	PIN	1			
3	31322224200	PLATE	7		L=1	
4	80136340020	PIN,SPLIT	1		4X20	
5	31473812100	ROD	1			
6	31322053251	LEVER	1			
7	31322053201	LEVER	1			
8	31322053151	LEVER	1			
9	31473662201	LEVER	1			
10	31322050510	KNOB (BLACK)	3			
11	37002213050	PLATE,NAME (TELESCOPING)	1			
12	37002213060	PLATE,NAME (WINCH)	1			
13	37002213070	PLATE,NAME (ELEVATING)	1			
14	31322050560	KNOB (RED)	1			
15	37002213080	PLATE,NAME (SWING)	1			

www.AutoEPC.com

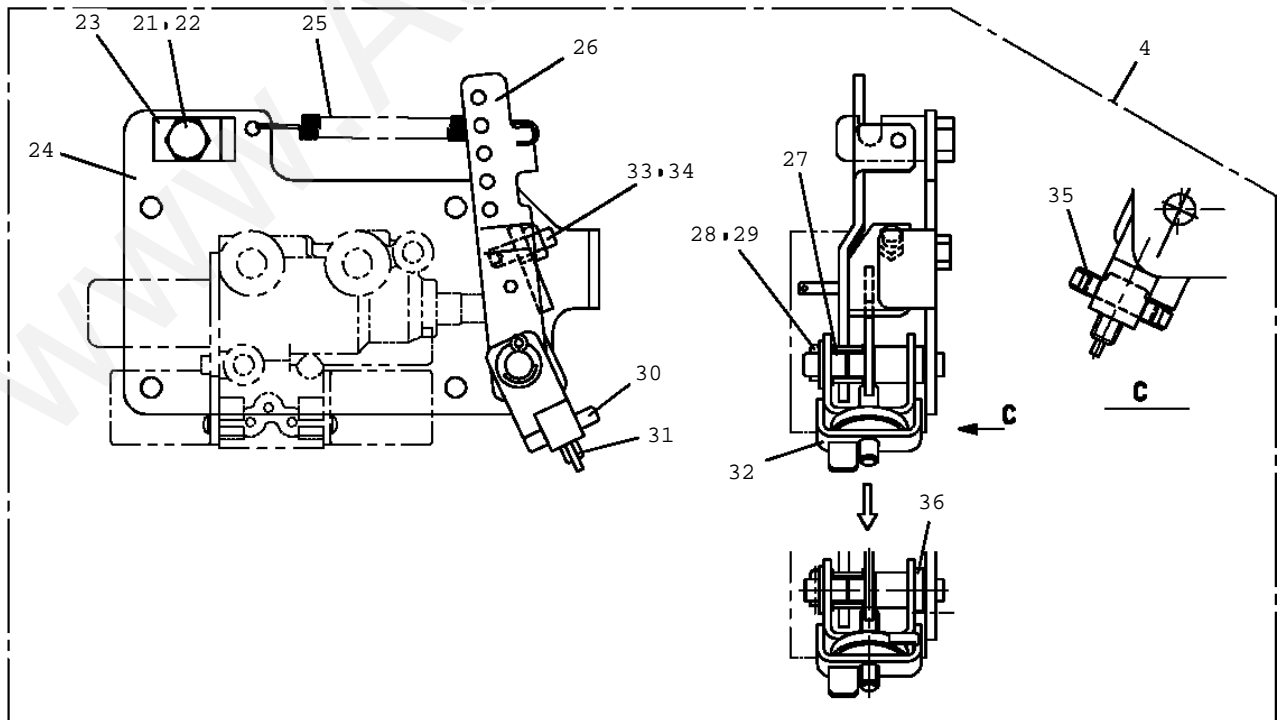
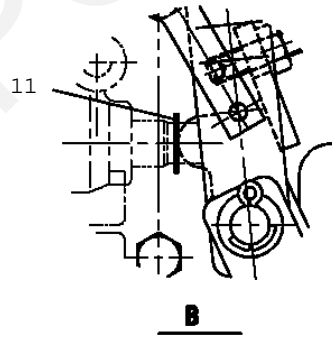
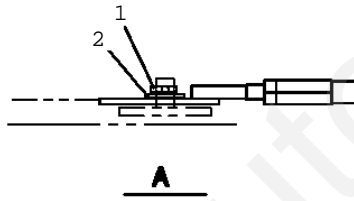
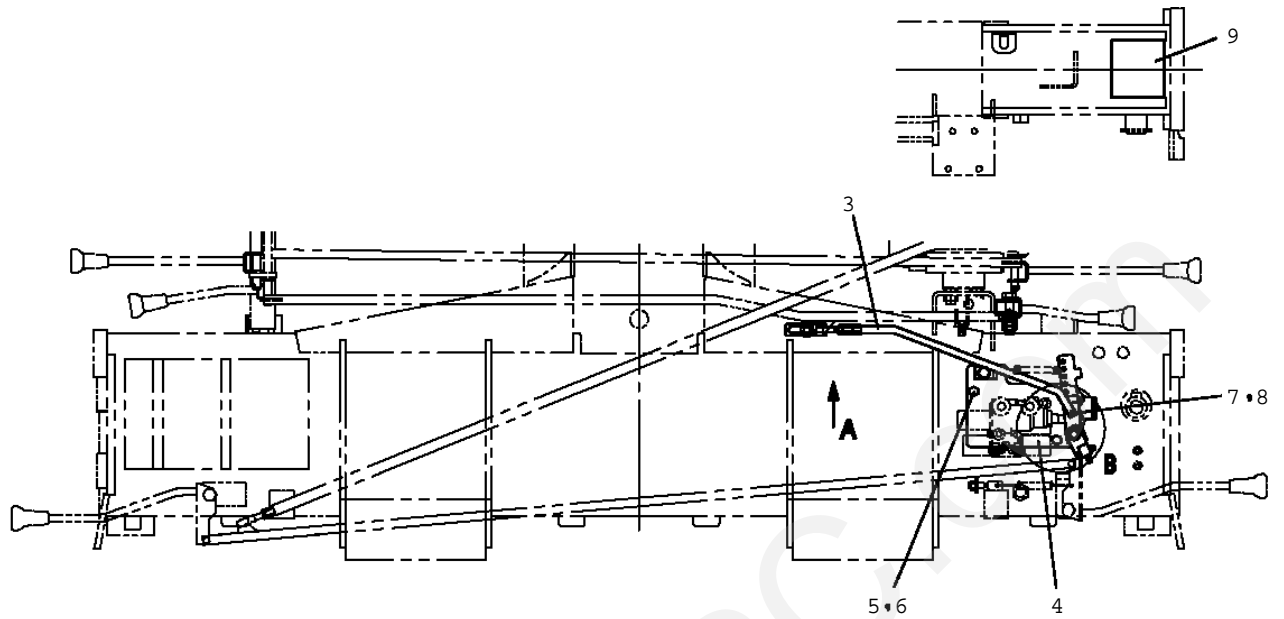
TM-ZF360 41102210021A FRAME/SL, MANUAL  
PL1010747-00 OPE.ASSY,CONT.VALVE (RADICON)



**TM-ZF360 41102210021A FRAME/SL,MANUAL**

Pos No.	Parts No	Parts Name	Qty	Unit	Technical Data	Serial No (Sta
1	31473662100	ROD	1			
2	80620210050	PIN,SNAP	14			
3	37000101180	PIN ASSY	1			
4	80136340020	PIN,SPLIT	1		4X20	
5	31322224200	PLATE	6		L=1	
6	31322053250	LEVER	1			
7	31322053200	LEVER	1			
8	31322053150	LEVER	1			
9	31473662200	LEVER	1			
10	31322050500	KNOB (BLACK)	5			
11	31322050550	KNOB (RED)	1			
12	37002213050	PLATE,NAME (TELESCOPING)	1			
13	37002213060	PLATE,NAME (WINCH)	1			
14	37002213070	PLATE,NAME (ELEVATING)	1			
15	37002213080	PLATE,NAME (SWING)	1			
16	31322120400	BAR	1			
17	37002213110	PLATE,NAME	1			
18	90101208016	BOLT	4		M8X16	
19	90302040801	WASHER,SPRING	4		8	
20	90303070801	WASHER,PLAIN	4		8	
21	31322120300	SUPPORT	1			
22	37002213170	PLATE,NAME	1			
23	31473682100	SUPPORT	1			
24	31322120100	LEVER	1			
31	80136340020	PIN,SPLIT	1		4X20	
32	37000101190	PIN	1			

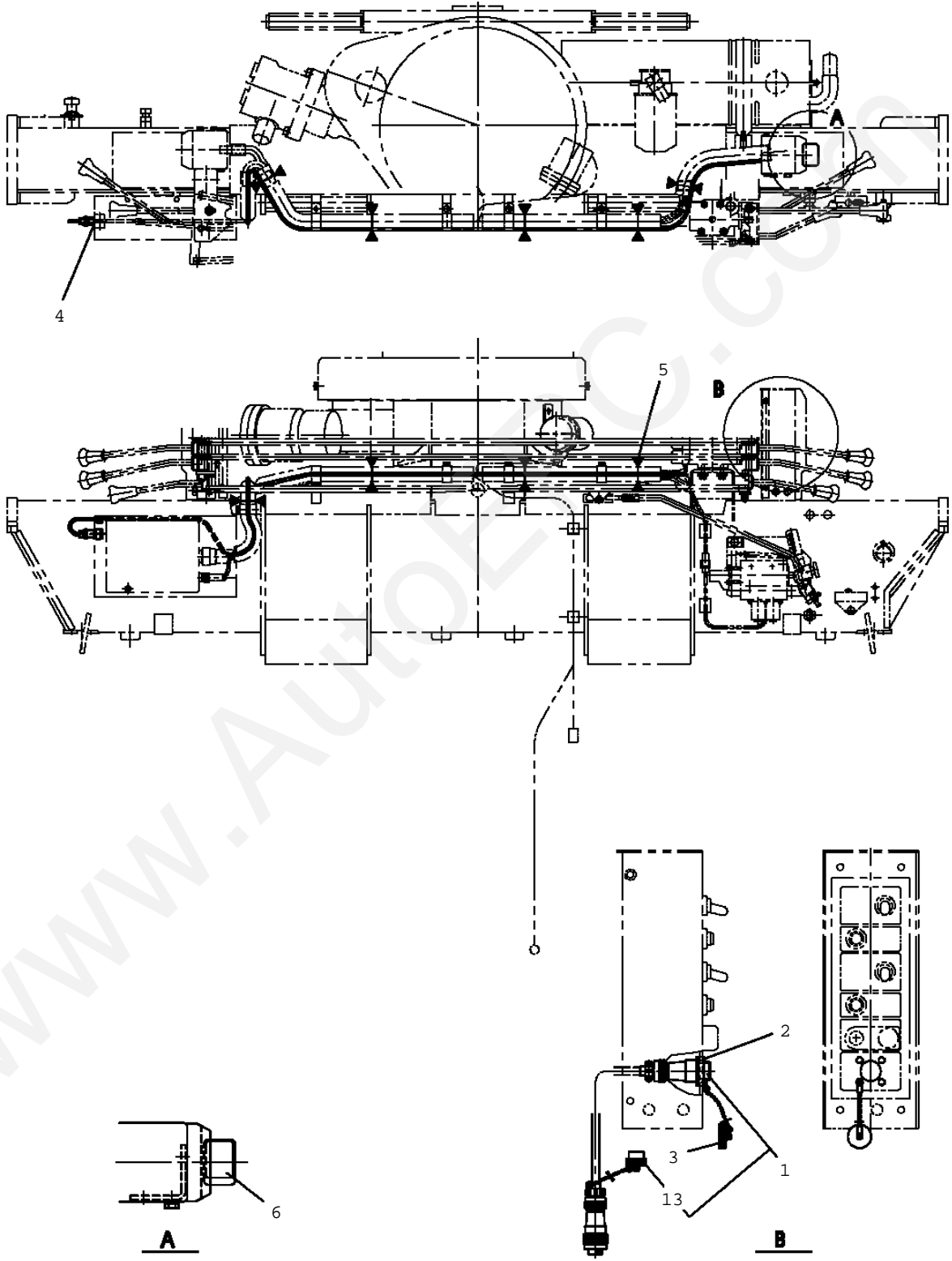
TM-ZF360 41102210021A FRAME/SL, MANUAL  
PL1030507-01 OPERATION SYSTEM, ACCELERATOR



**TM-ZF360 41102210021A FRAME/SL,MANUAL**

Pos No.	Parts No	Parts Name	Qty	Unit	Technical Data	Serial No (Start)	Serial No (End)
1	80136340020	PIN, SPLIT	1		4X20		
2	90303071001	WASHER, PLAIN	1		10		
3	31330930200	ROD ASSY	1				
4	31330931000	OPERATION UNIT	1				
5	90101208016	BOLT	4		M8X16		
6	90302040801	WASHER, SPRING	4		8		
7	80620210050	PIN, SNAP	1				
8	90303070501	WASHER, PLAIN	1		5		
9	31330912000	PLATE, CAUTION	1				
11	31330931500	PLATE	1			EE5442	
21	90101210020	BOLT	1		M10X20		
22	90302041001	WASHER, SPRING	1		10		
23	31330861400	SUPPORT	1				
24	31330931100	SUPPORT	1				
25	37001300150	SPRING	1				
26	31330931300	LINK	1				
27	37000401920	BEARING, PLAIN	2				
28	90303071001	WASHER, PLAIN	1		10		
29	80136340020	PIN, SPLIT	1		4X20		
30	31330911600	PLATE	1				
31	31330931200	LINK	1				
32	31330911701	SUPPORT	1				EE701
	31330911702	SUPPORT	1			EE7014	
33	90710708300	SCREW, SET	1		M8		
34	90201200800	NUT	1		M8		
35	31330931601	SPRING	1			EE7014	
36	37000311680	SPACER	1			EE7014	

TM-ZF360 41102210021A FRAME/SL, MANUAL  
PN1011420-00 ELEC.ASSY (REMOTE CONTROL)



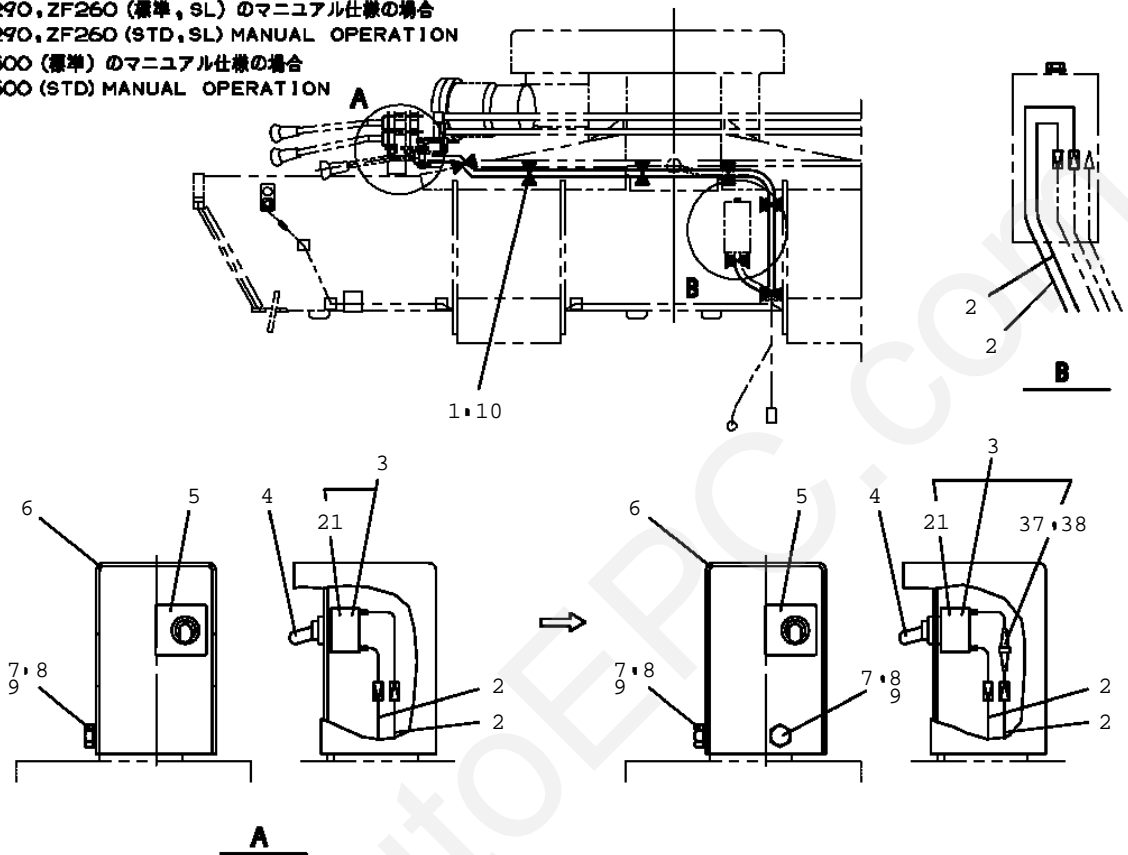
**TM-ZF360 41102210021A FRAME/SL,MANUAL**

Pos No.	Parts No	Parts Name	Qty	Unit	Technical Data	Serial No (Start)	Serial
1	31651762300	HARNES	1				
2	80192483010	SCREW,MACHINE	4		M3X10		
3	82100002490	CAP	1				
4	82401600510	CLAMP	1		10		
5	91810130250	FASTENER	6				
6	31651760800	PLATE,CAUTION	1				
13	82100002478	CAP	1				

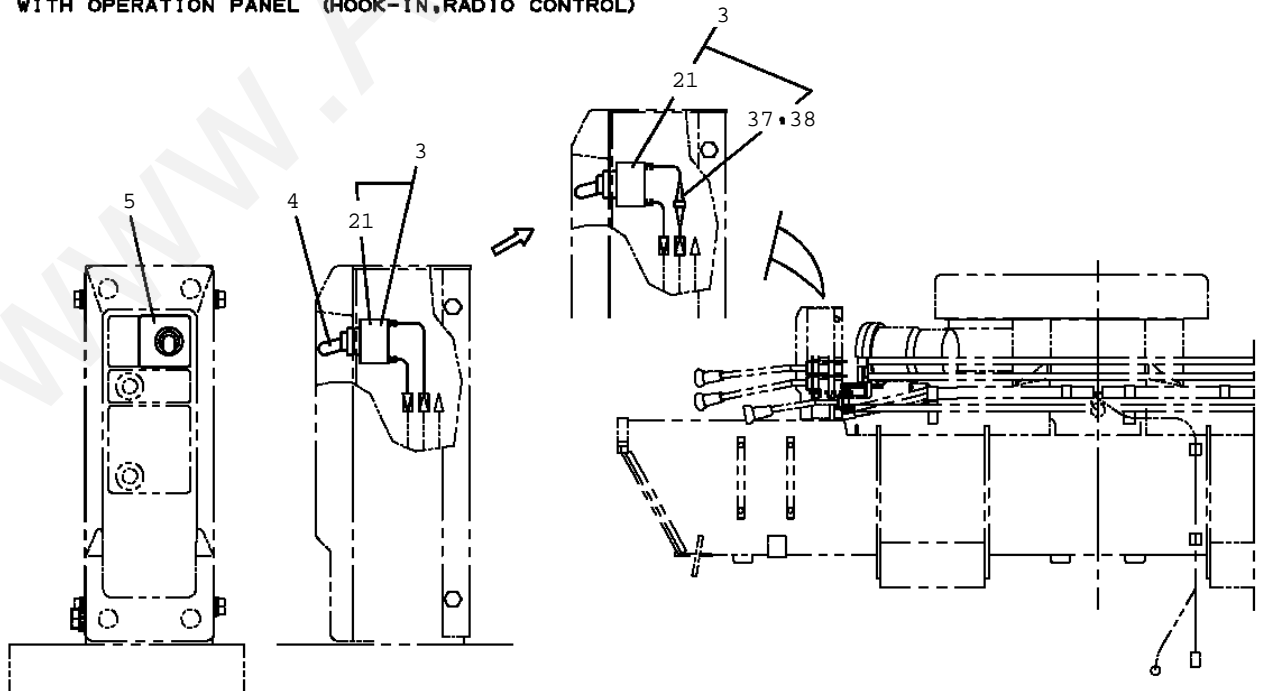
www.AutoEPC.com



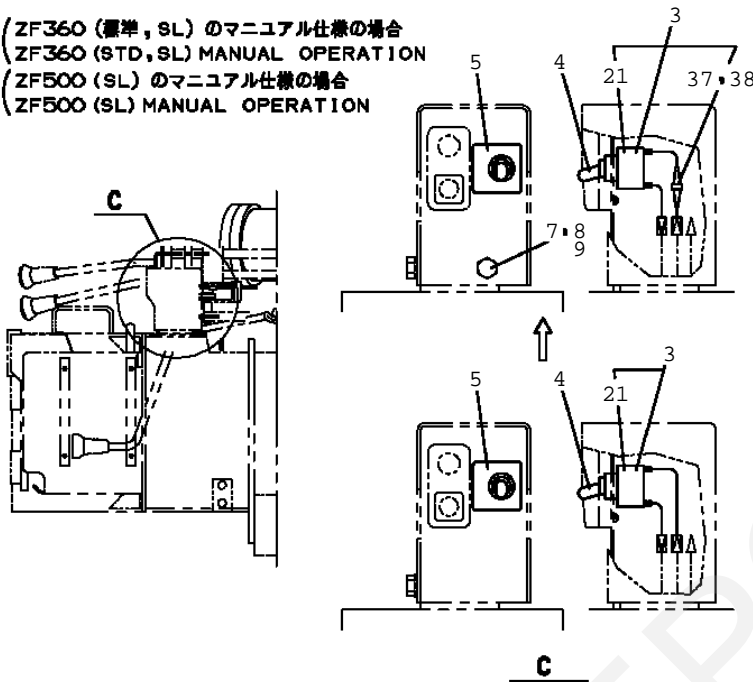
(ZF300 (標準, SL) のマニュアル仕様の場合  
 ZF300 (STD, SL) MANUAL OPERATION  
 (ZF290, ZF260 (標準, SL) のマニュアル仕様の場合  
 ZF290, ZF260 (STD, SL) MANUAL OPERATION  
 (ZF500 (標準) のマニュアル仕様の場合  
 ZF500 (STD) MANUAL OPERATION



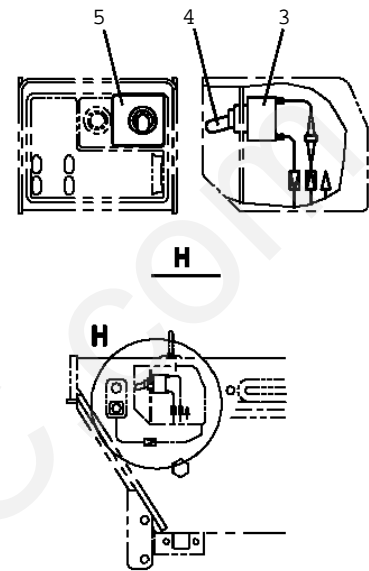
操作パネルがある場合 (フックイン, 及びラジコン仕様)  
 WITH OPERATION PANEL (HOOK-IN, RADIO CONTROL)



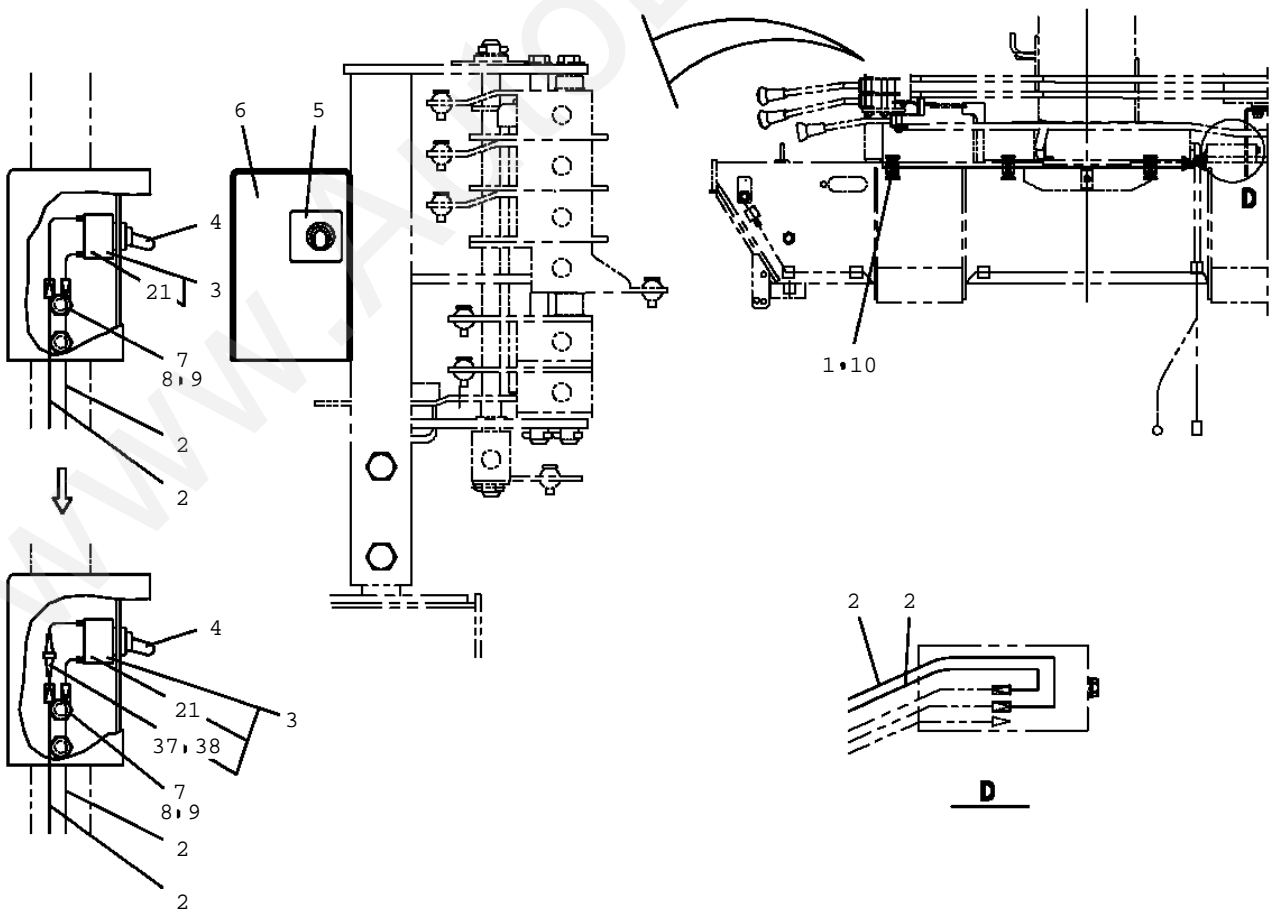
(ZF360 (標準, SL) のマニュアル仕様の場合  
 ZF360 (STD, SL) MANUAL OPERATION  
 ZF500 (SL) のマニュアル仕様の場合  
 ZF500 (SL) MANUAL OPERATION



(ZF230 のフックイン、及びラジコン仕様の場合  
 ZF230 HOOK-IN, RADIO CONTROL



(ZF230 のマニュアル仕様の場合  
 ZF230 MANUAL OPERATION

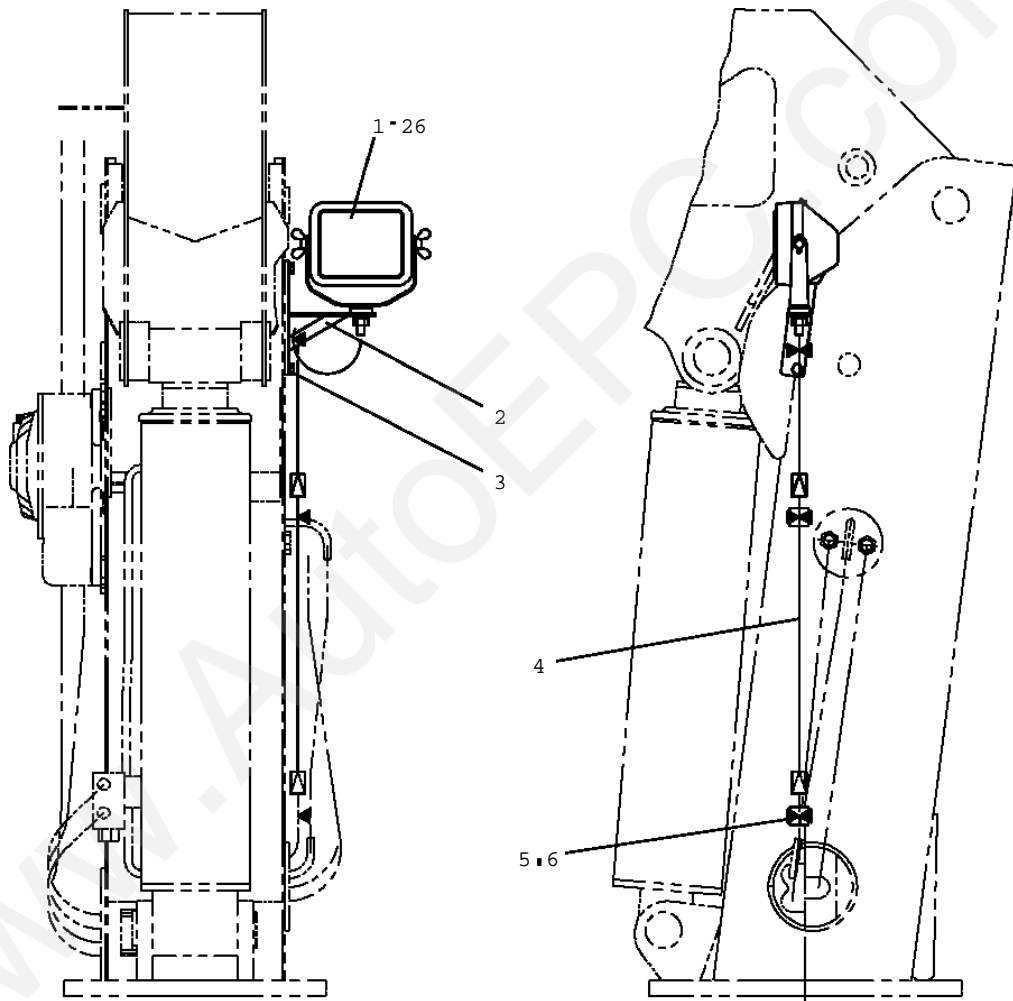


**TM-ZF360 41102210021A FRAME/SL,MANUAL**

Pos No.	Parts No	Parts Name	Qty	Unit	Technical Data	Serial No (St
1	91810130240	FASTENER	7			
2	31473460300	HARNESS (RED)	2		L=1600	
3	31473460101	SWITCH ASSY	1			
4	82197518119	CAP (PLUS ONE MFG./BLACK)	1			
	82197518114	CAP (MATSUSHITA/BLACK)	1			
5	31473460400	PLATE,NAME	1			
6	31651814100	PANEL	1			
7	90101208014	BOLT	3		M8X14	
8	90303070801	WASHER,PLAIN	3		8	
9	90302040801	WASHER,SPRING	3		8	
10	82401601002	CLAMP	3			
21	82105410110	SWITCH,TOGGLE	1			
37	82100000745	FUSE	1		10A,6.5X30	
38	82100000688	HOLDER,FUSE	1			

www.AutoEPC.com

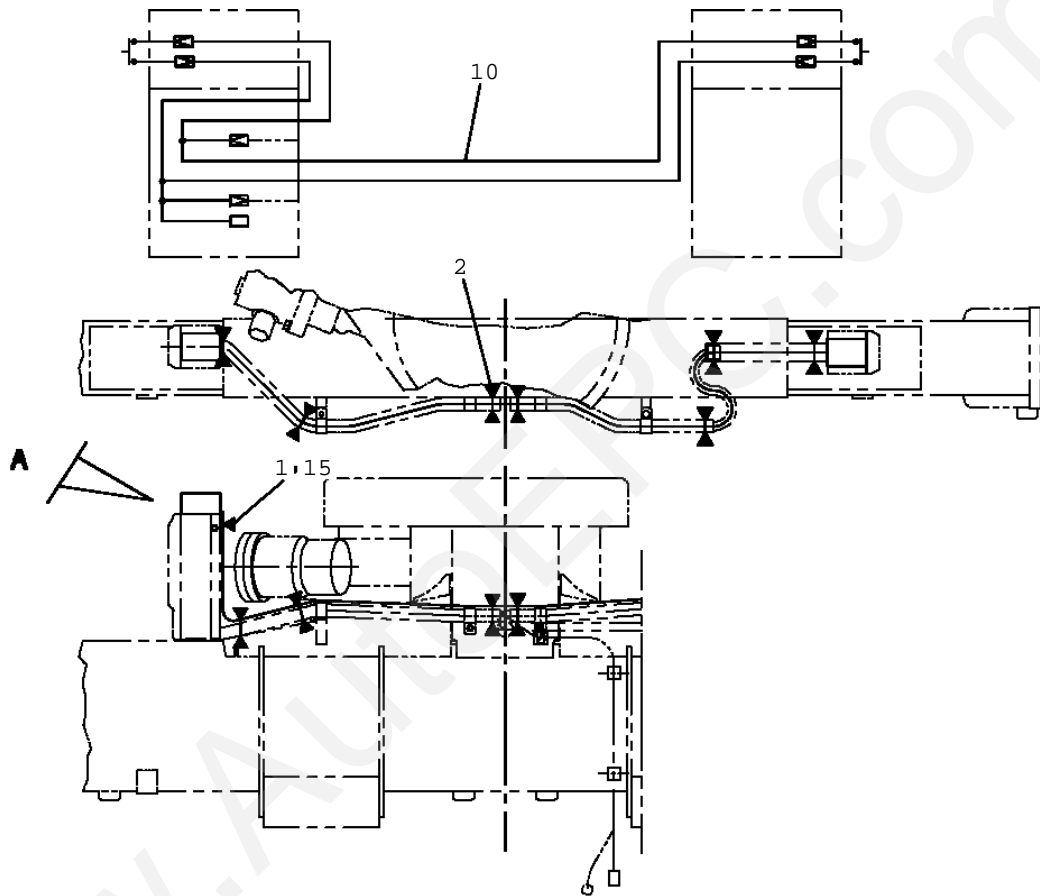
TM-ZF360 41102210021A FRAME/SL, MANUAL  
PN1011423-03 ELEC.ASSY (UPPER, LAMP/POST)



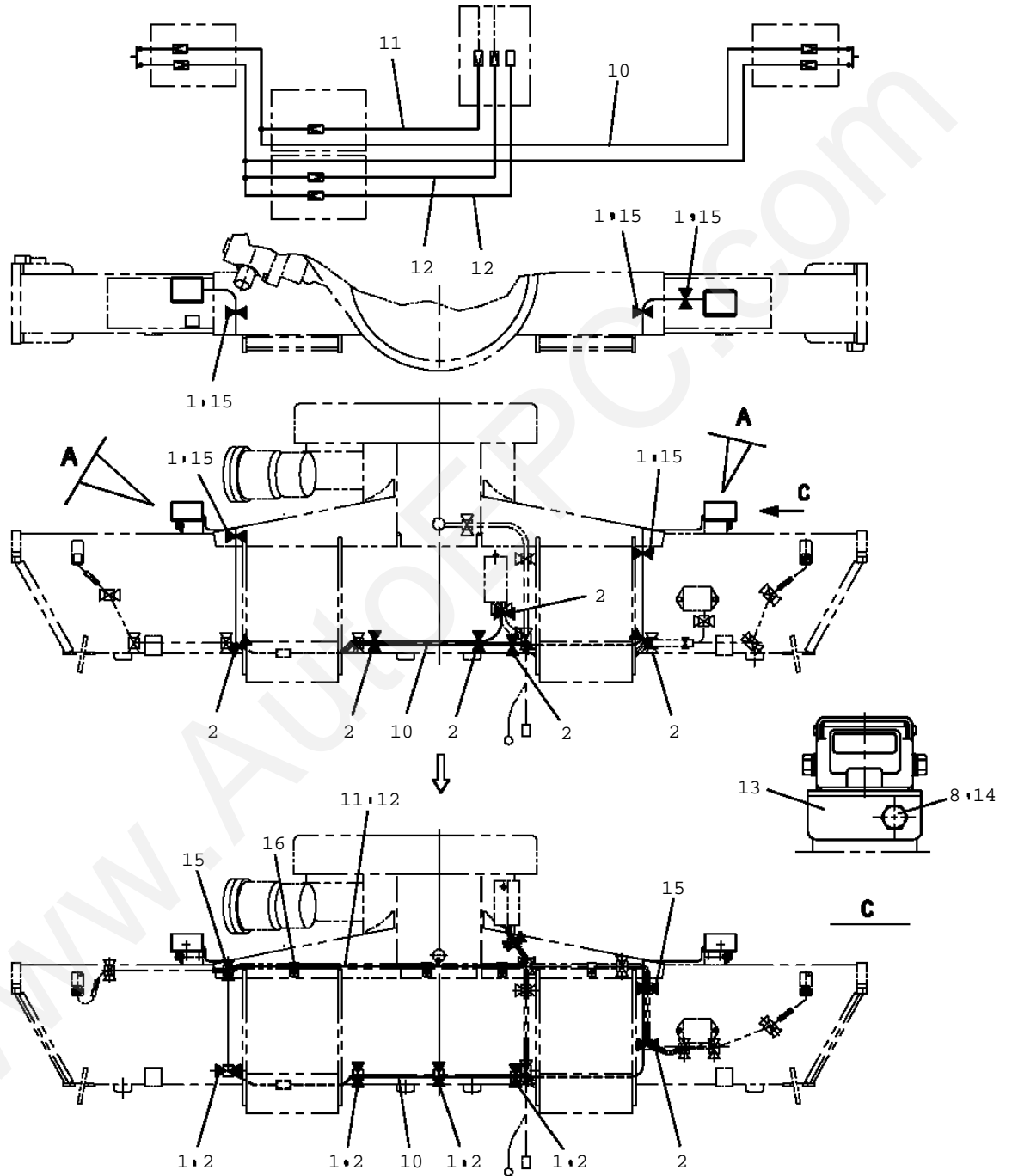
**TM-ZF360 41102210021A FRAME/SL, MANUAL**

Pos No.	Parts No	Parts Name	Qty	Unit	Technical Data	Serial No (Start)	Serial No
1	82199100026	LAMP	1		24V 60W		
2	31473462100	SUPPORT	1				
3	90101208016	BOLT	2		M8X16		
4	31473462500	HARNES	1				
5	82401601002	CLAMP	2				
6	91810130240	FASTENER	3				
26	82100000054	BULB, LAMP	1		24V 60W		

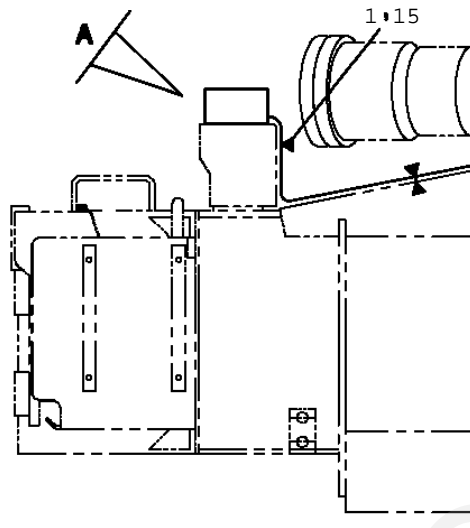
www.AutoEPC.com



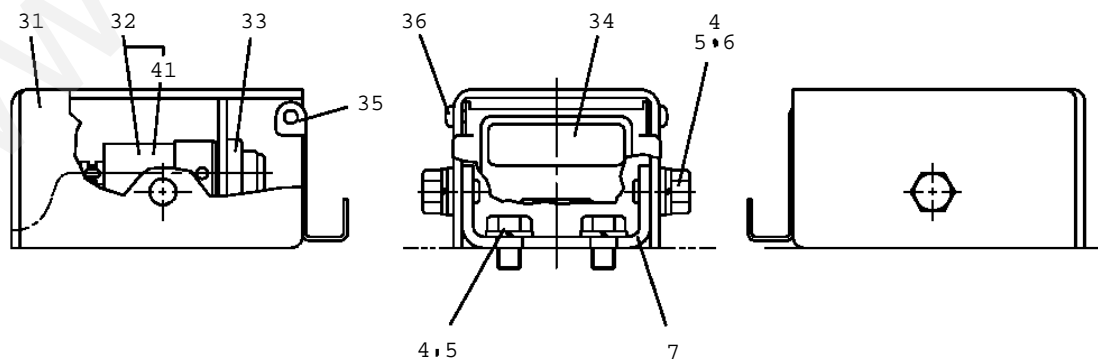
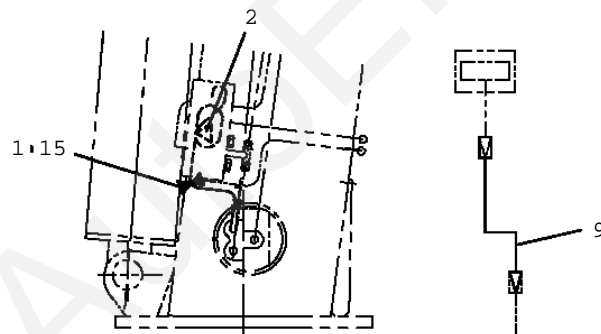
操作パネルがある場合 (ラジコン, リモコン仕様)  
WITH CONTROL PANEL (RADIO CONTROL, REMOTE CONTROL)



ZF300 (標準, SL) のマニュアル仕様の場合  
 ZF300 (STD, SL) MANUAL OPERATION



ZF360 (標準, SL) のマニュアル仕様の場合  
 ZF360 (STD, SL) MANUAL OPERATION



**A**

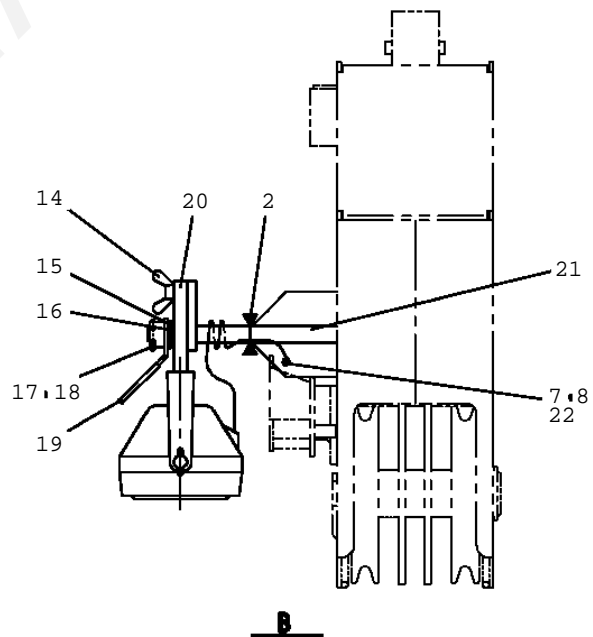
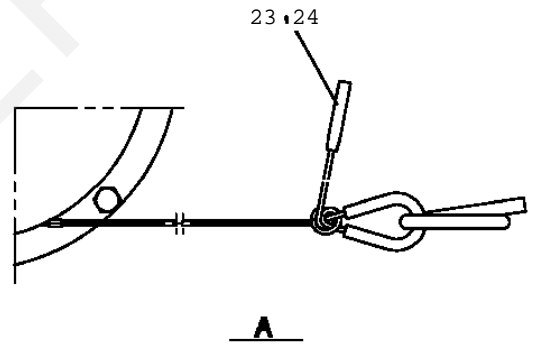
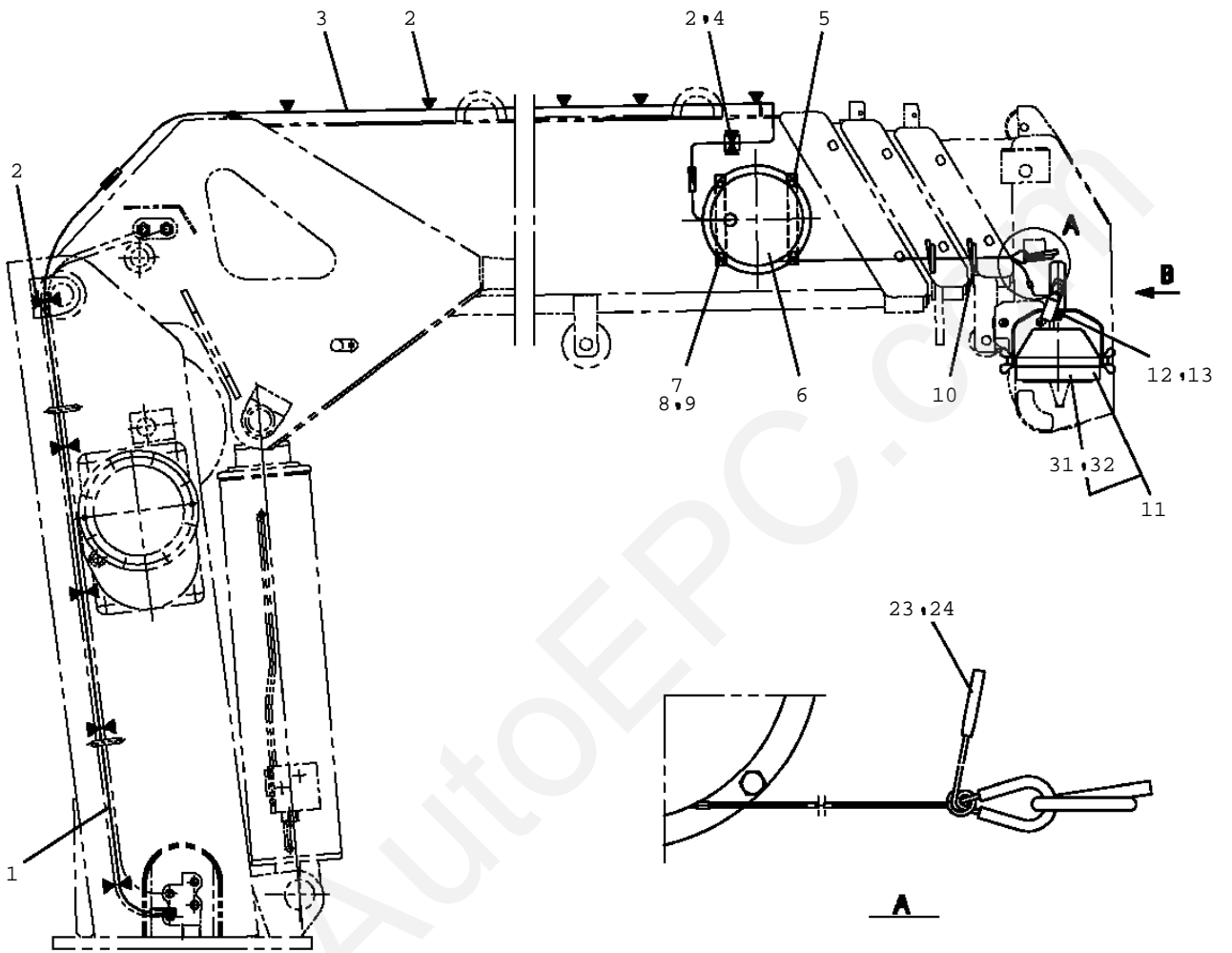


**TM-ZF360 41102210021A FRAME/SL,MANUAL**

Pos No.	Parts No	Parts Name	Qty	Unit	Technical Data	Serial No (Start)	Serial
1	82401601002	CLAMP	6				
2	91810130250	FASTENER	7				
4	90101206010	BOLT	8		M6X1.0		
5	90302040601	WASHER, SPRING	8		6		
6	90303070601	WASHER, PLAIN	4		6		
7	31473744200	SUPPORT	2				
8	90302040801	WASHER, SPRING	2		8		
9	31473462500	HARNESS	1				
10	31473744500	HARNESS	1				
11	31380171500	HARNESS	1				
12	31473744700	HARNESS (RED)	2		L=1000		
13	31473744900	SUPPORT	2				
14	90101208012	BOLT	2		M8X12		
15	91810130240	FASTENER	6				
31	31473744110	PANEL	2				
32	31473744150	SWITCH ASSY	2				
33	82197600103	CAP (RED)	2				
34	31473744160	PLATE, NAME	2				
35	31473744170	COVER	2				
36	80172803008	SCREW, MACHINE	4		M3X8		
41	82101419002	SWITCH, PUSH	2				

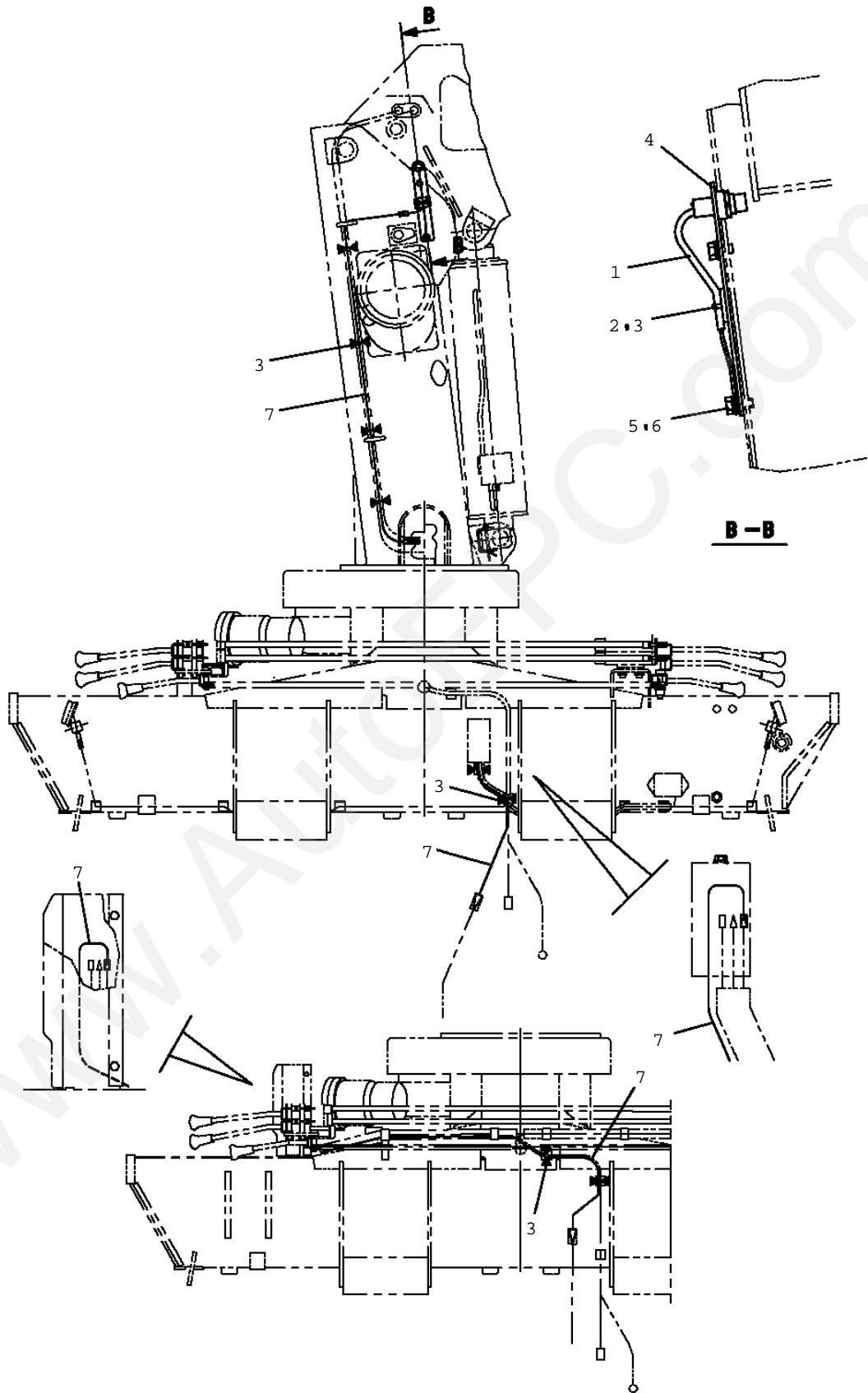
www.AutoEPC.com

TM-ZF360 41102210021A FRAME/SL, MANUAL  
PN1011426-02 ELEC.ASSY (UPPER, LAMP/BOOM)



**TM-ZF360 41102210021A FRAME/SL, MANUAL**

Pos No.	Parts No	Parts Name	Qty	Unit	Technical Data	Serial No (Start)	Se
1	31473460300	HARNES (RED)	1		L=1600		
2	91810130240	FASTENER	12				
3	31473472100	HARNES (RED)	1		L=3000		KB
	31501812100	HARNES	1		L=3000	KB0873	
4	82401601002	CLAMP	1				
5	31650690200	PLATE	2		T=9		
6	36160670000	REEL, CORD	1				KA
	36161770000	REEL ASSY, CORD	1			KA8920	KB
	36161700000	REEL ASSY, CORD	1			KB0873	
7	90102206014	BOLT	5		M6X14		
8	90302040601	WASHER, SPRING	5		6		
9	90303070601	WASHER, PLAIN	4		6		
10	32200156090	SUPPORT	5				
11	82165904030	LAMP	1		24V 45W		
12	90201201000	NUT	1		M10		
13	90302040201	WASHER, SPRING (2)	1				
14	90813108020	BOLT, WING	1		M8X20		
15	90309331201	WASHER	2		L12		
16	90303071201	WASHER, PLAIN	1		12		
17	80136325025	PIN, SPLIT	1		2.5X25		
18	90236201200	NUT, CASTLE	1		2H M12		
19	31650690500	LEVER	1				
20	31650690400	SUPPORT	1				
21	31650690300	SUPPORT	1				
22	90201200600	NUT	1		M6		
23	82100000191	TERMINAL	1				
24	82100000183	INSULATOR	1				
31	82166025550	BULB, LAMP	1		24V 45W		
32	82100002850	LENS	1				



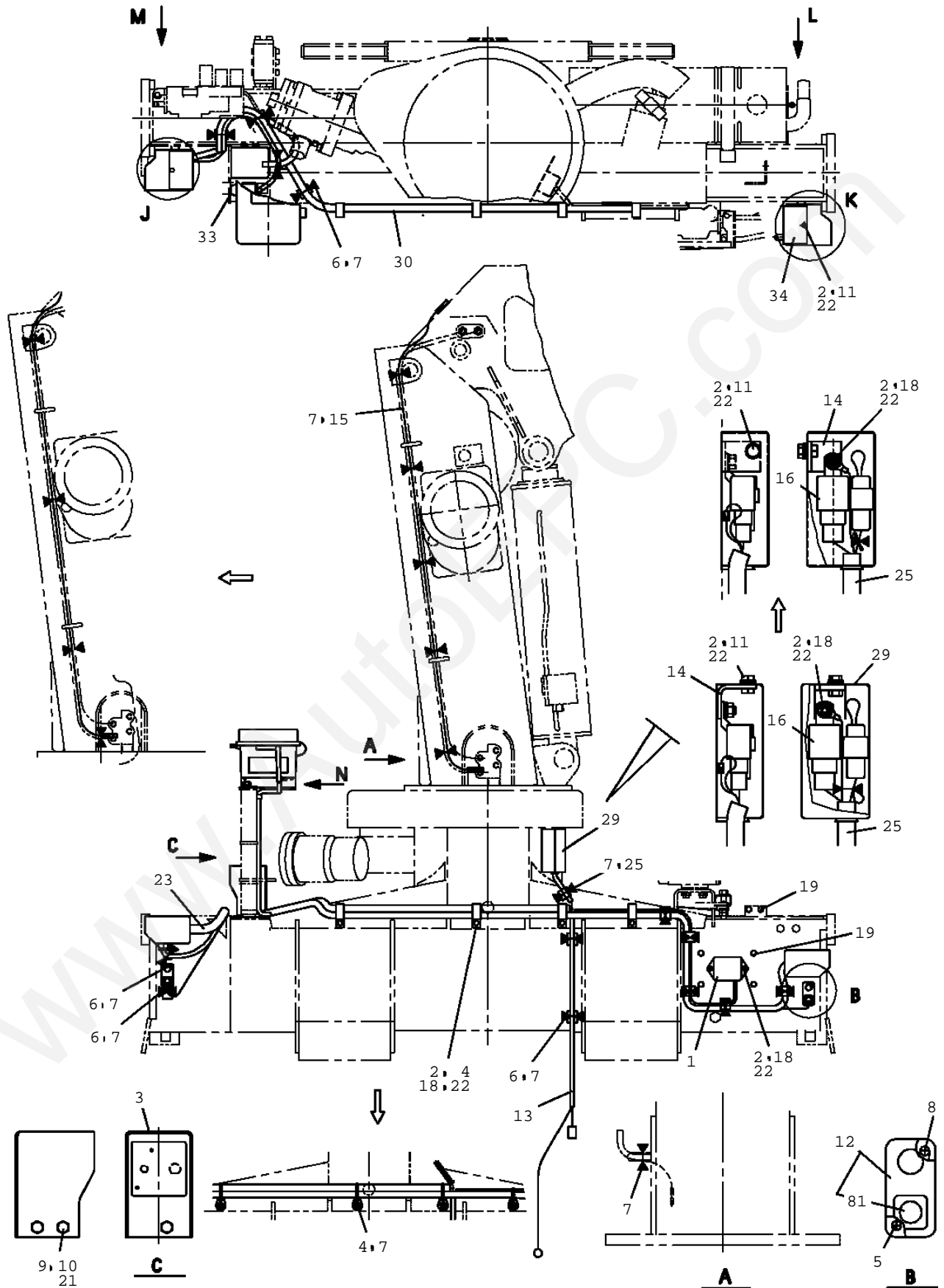
操作パネルがある場合 (フックイン、及びラジコン仕様)  
 WITH OPERATION PANEL (HOOK-IN, RADIO CONTROL)

**TM-ZF360 41102210021A FRAME/SL,MANUAL**

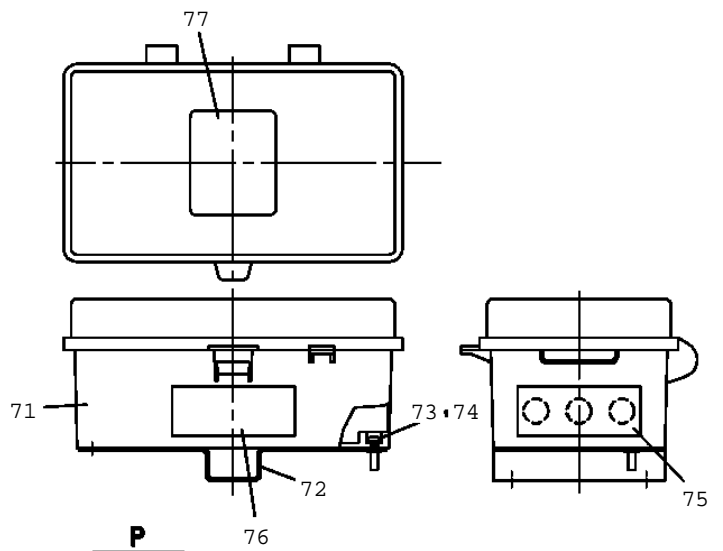
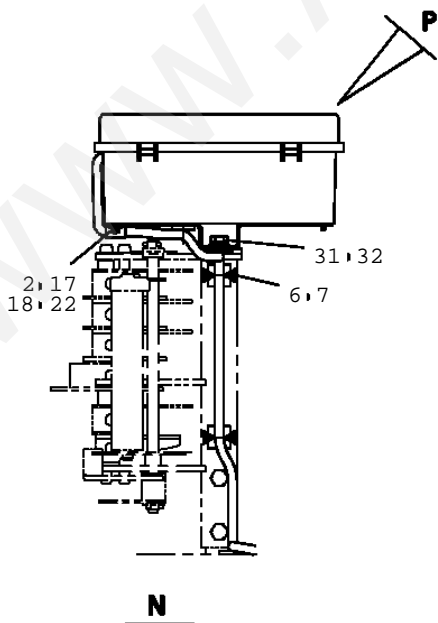
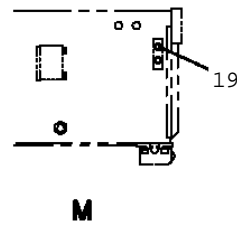
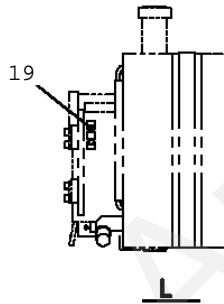
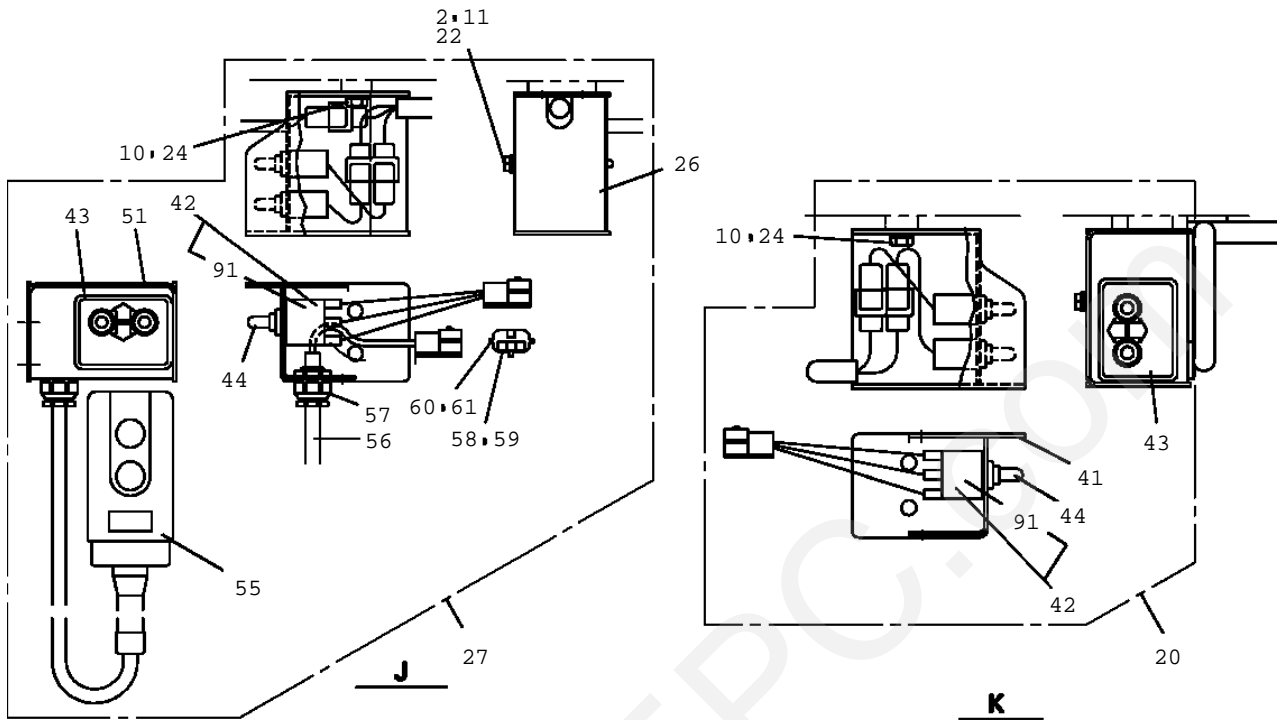
Pos No.	Parts No	Parts Name	Qty	Unit	Technical Data	Serial No (Start)	Serial :
1	82108501350	SWITCH	1				
2	82401601002	CLAMP	1				
3	91810130240	FASTENER	7				
4	31380171100	SUPPORT	1				
5	90101208016	BOLT	2		M8X16		
6	90303070801	WASHER, PLAIN	2		8		
7	31380171500	HARNES	2				

www.AutoEPC.com

TM-ZF360 41102210021A FRAME/SL, MANUAL  
 PN1011525-01 ELECTRICAL ACCESSORIES



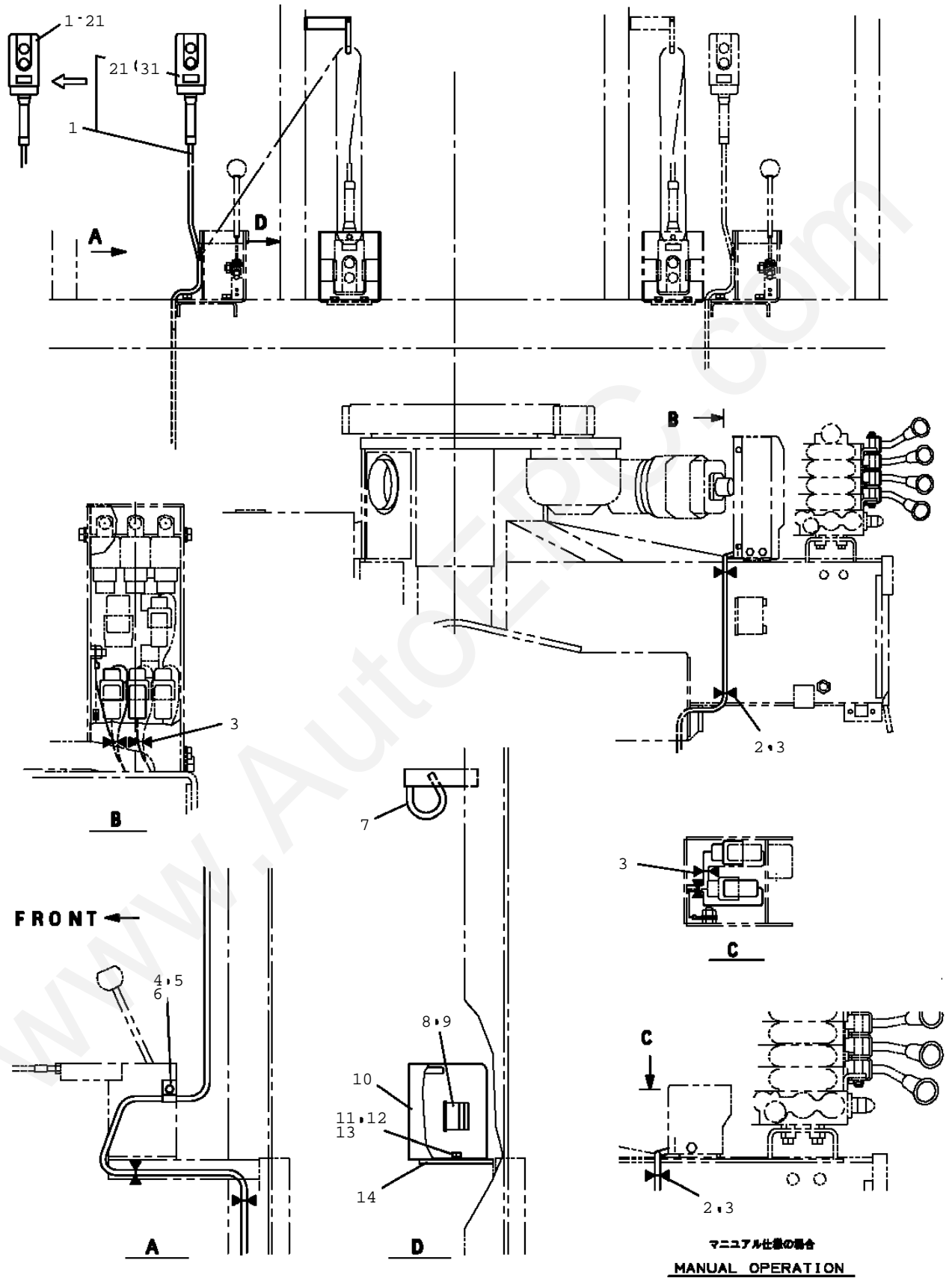
TM-ZF360 41102210021A FRAME/SL, MANUAL  
 PN1011525-01 ELECTRICAL ACCESSORIES



**TM-ZF360 41102210021A FRAME/SL,MANUAL**

Pos No.	Parts No	Parts Name	Qty	Unit	Technical Data	Serial No (St
1	31652030200	BUZZER ASSY	1			
2	90302040601	WASHER,SPRING	11		6	
	90302040601	WASHER,SPRING	7		6	EE6653
3	31652300100	COVER	1			
4	82100002016	CLAMP	4		WR25	
	91850100802	CLAMP (STUD BOLT MOUNT)	4			EE6653
5	90927030081	SCREW,TAPPING	2		M3X8	
6	82401601002	CLAMP	18			
7	91810130240	FASTENER	28			
	91810130240	FASTENER	32			EE6653
	91810130240	FASTENER	31			EE8233
8	90925030101	SCREW,TAPPING	2		M3X10	
9	90101208014	BOLT	3		M8X14	
10	90302040801	WASHER,SPRING	7		8	
11	90101206010	BOLT	3		M6X1.0	
12	31650530100	SWITCH	2			
13	31652460100	HARNESS	1			
	31652760100	HARNESS	1			EE6760
14	31651870400	SUPPORT	1			
15	31652160100	HARNESS	1		L=1400	
16	82100002597	RELAY	1			
17	82100002006	CLAMP	1		WR10	
18	90201200600	NUT	8		M6	
	90201200600	NUT	4		M6	EE6653
19	82401800080	PLUG (FOR M8)	11			
20	31652172000	SWITCH ASSY (LEFT)	1			
21	90303070801	WASHER,PLAIN	3		8	
22	90303070601	WASHER,PLAIN	11		6	
	90303070601	WASHER,PLAIN	7		6	EE6653
23	31652170100	HARNESS	1			
	31652170101	HARNESS	1			EE5764
24	90101208012	BOLT	4		M8X12	
26	31651771800	COVER	1			
27	31652171000	SWITCH ASSY (RIGHT)	1			
29	31651680200	COVER	1			
	31651810200	COVER	1			EE5268
30	31652300200	HARNESS	1			
31	90101210014	BOLT	2		M10X14	
32	90302041001	WASHER,SPRING	2		10	
33	82400000475	PLATE	4			
34	31652170600	COVER	1			
41	31652172100	PANEL	1			
42	31651771200	SWITCH ASSY	4			
43	31652171100	PLATE,NAME	2			
44	82197518114	CAP (MATSUSHITA/BLACK)	4			
	82197518119	CAP (PLUS ONE MFG./BLACK)	4			
51	31651771700	PANEL	1			
55	82100002804	SWITCH	1			
56	31652171010	CABLE	1			
57	82100001407	CONNECTOR (SEAL)	1			
58	82111203020	TERMINAL	3			
59	82121501020	PLUG	3			
60	82114203030	CONNECTOR (CAP)	1			
61	82121502030	PLATE	1			
71	31652170400	BOX	1			
72	31651820110	SUPPORT	1			
73	80172304008	SCREW,MACHINE	4		M4X8	
74	90303070401	WASHER,PLAIN	4		4	
75	31652170320	PLATE,NAME	1			
76	36800174300	PLATE,CAUTION	1			
77	31642171600	PLATE,NAME	1			
81	82100002450	SWITCH,PUSH	2			
91	82105413140	SWITCH,TOGGLE	4			

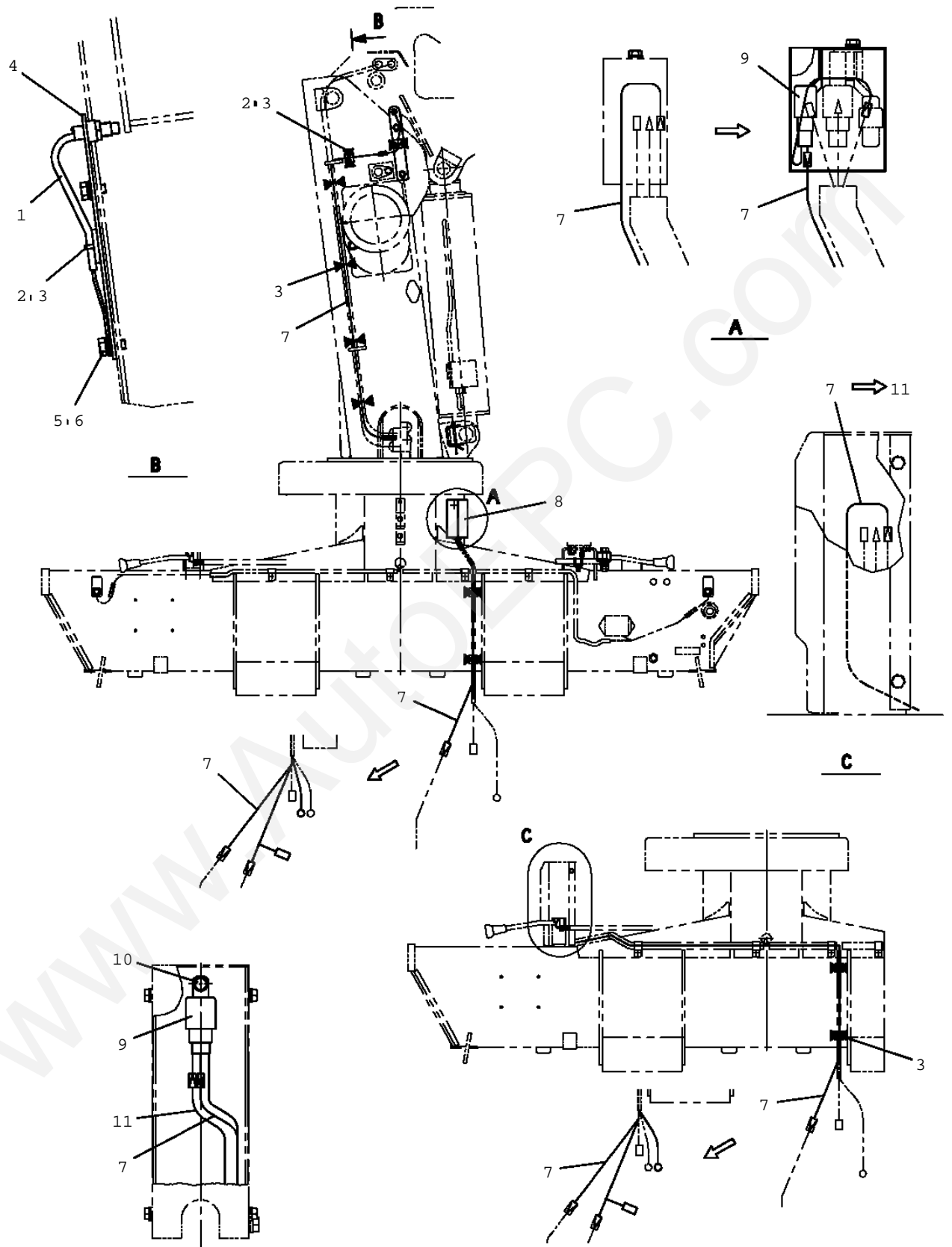




**TM-ZF360 41102210021A FRAME/SL,MANUAL**

Pos No.	Parts No	Parts Name	Qty	Unit	Technical Data	Serial No (Start)
1	31652050100	SWITCH ASSY	1			
2	82401601002	CLAMP	12			
3	91810130240	FASTENER	12			
4	82100002004	CLAMP	1		WR8	
5	90101206010	BOLT	1		M6X1.0	
6	90302040601	WASHER, SPRING	1		6	
7	31652050200	SUPPORT	1			
8	31651771600	CLAMP	1			
9	80192484008	SCREW, MACHINE	2		M4X8	
10	31652050300	SUPPORT	1			
11	90101208012	BOLT	2		M8X12	
12	90302040801	WASHER, SPRING	2		8	
13	90303070801	WASHER, PLAIN	2		8	
14	31652050400	PLATE	1			
21	82100002805	SWITCH	1			
31	82109860002	CONTACTOR (UP-DOWN)	1			

www.AutoEPC.com



車両左側操作パネル

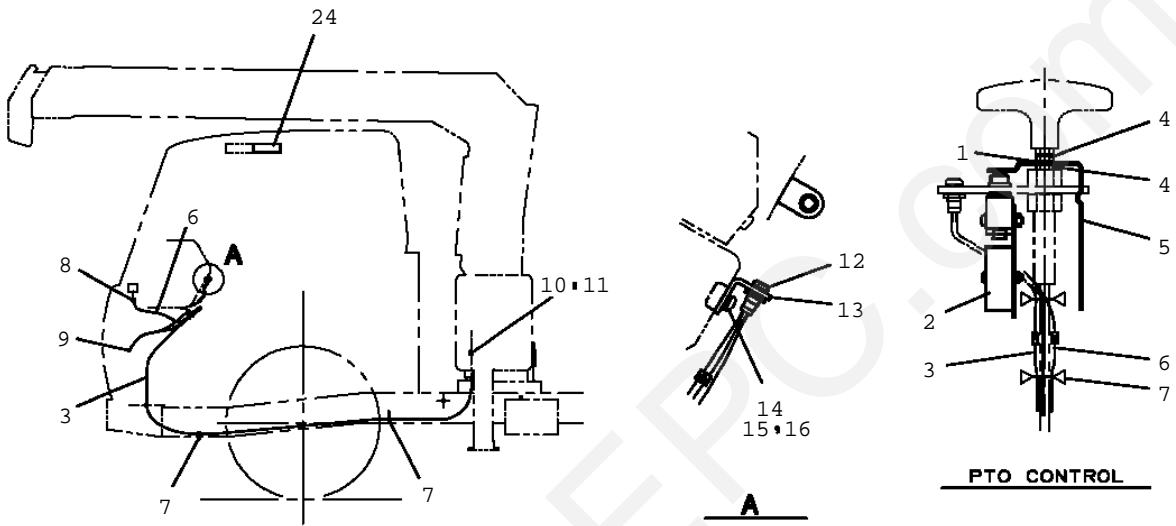
SEE THESE FIGURES IF THERE IS A CONTROL PANEL ON

**TM-ZF360 41102210021A FRAME/SL,MANUAL**

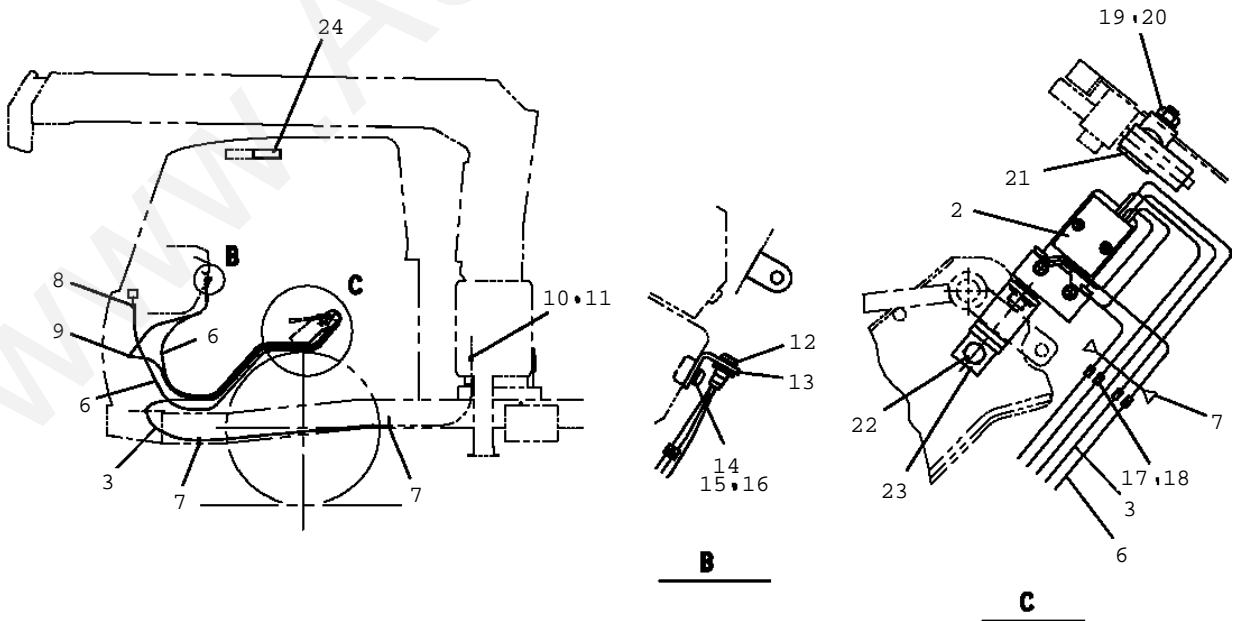
Pos No.	Parts No	Parts Name	Qty	Unit	Technical Data	Serial No (Start)	Serial :
1	82108901180	SWITCH	1		APS8-12GM-Z		
2	82401601002	CLAMP	2				
3	91810130240	FASTENER	8				
4	31380291100	SUPPORT	1				
5	90101208016	BOLT	2		M8X16		
6	90303070801	WASHER, PLAIN	2		8		
7	31652160100	HARNES	2		L=1400		

www.AutoEPC.com

TYPE A



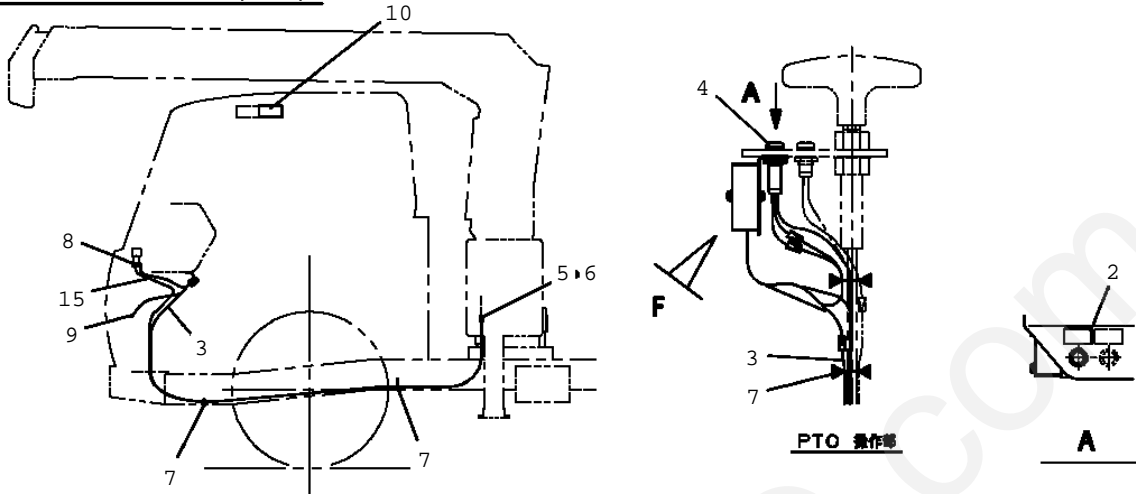
TYPE B



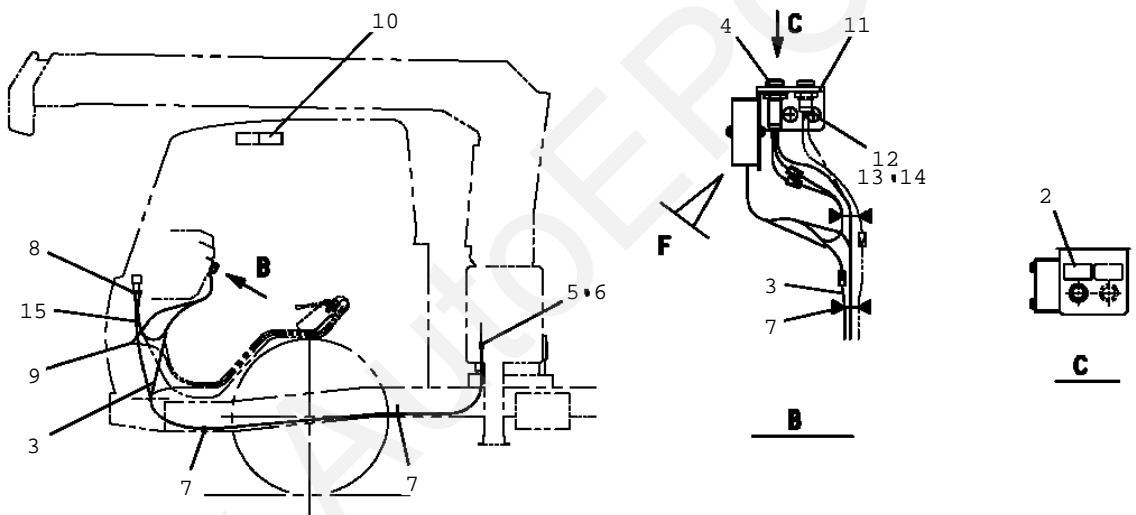
**TM-ZF360 41102210021A FRAME/SL,MANUAL**

Pos No.	Parts No	Parts Name	Qty	Unit	Technical Data	Serial No (Sta
1	90304110601	WASHER,TOOTH	1		6	
2	31380172800	ALARM ASSY	1			
3	31380292500	HARNESS	1			
4	90203200600	NUT	2		M6	
5	31930440800	GUIDE	1			
6	31380292800	HARNESS	3			
7	91810130240	FASTENER	4			
8	82100002673	CONNECTOR (0.5-0.85,RED)	1			
9	82100001400	TERMINAL	2			
10	82100000191	TERMINAL	1			
11	82100000183	INSULATOR	1			
12	31380174000	LAMP ASSY	1			
13	31930280301	SUPPORT	1			
14	90302040501	WASHER,SPRING	1		5	
15	90303070501	WASHER,PLAIN	1		5	
16	80172305020	SCREW,MACHINE	1		M5X20	
17	82100000192	TERMINAL	2			
18	82100000182	INSULATOR	2			
19	90302040801	WASHER,SPRING	2		8	
20	90201200800	NUT	2		M8	
21	31930120201	SPRING	1			
22	90101208016	BOLT	2		M8X16	
23	31930120101	SUPPORT	1			
24	31380292700	PLATE,CAUTION	1			

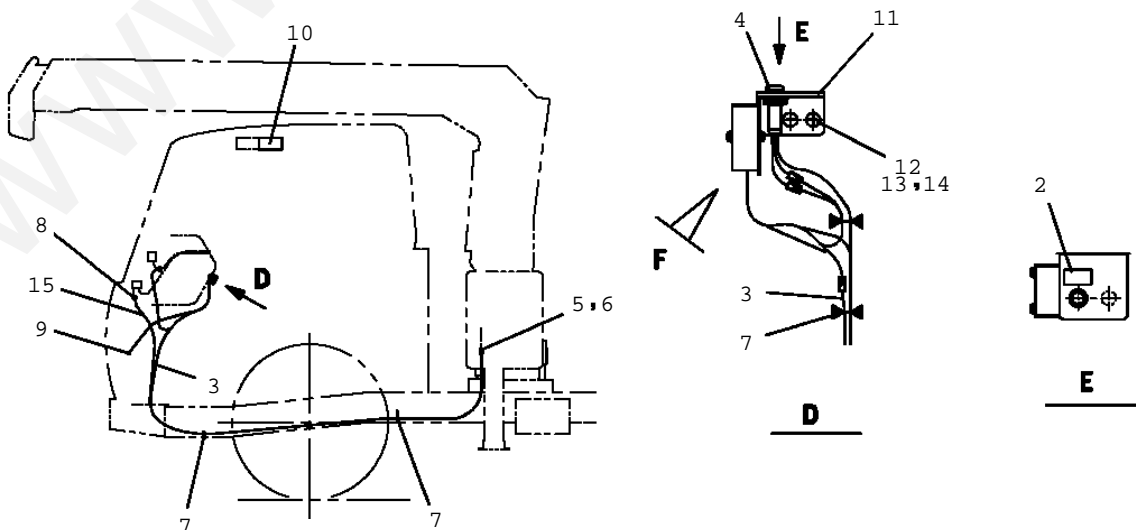
**PTOレバーがハンドル横にある場合 (Aタイプ)**



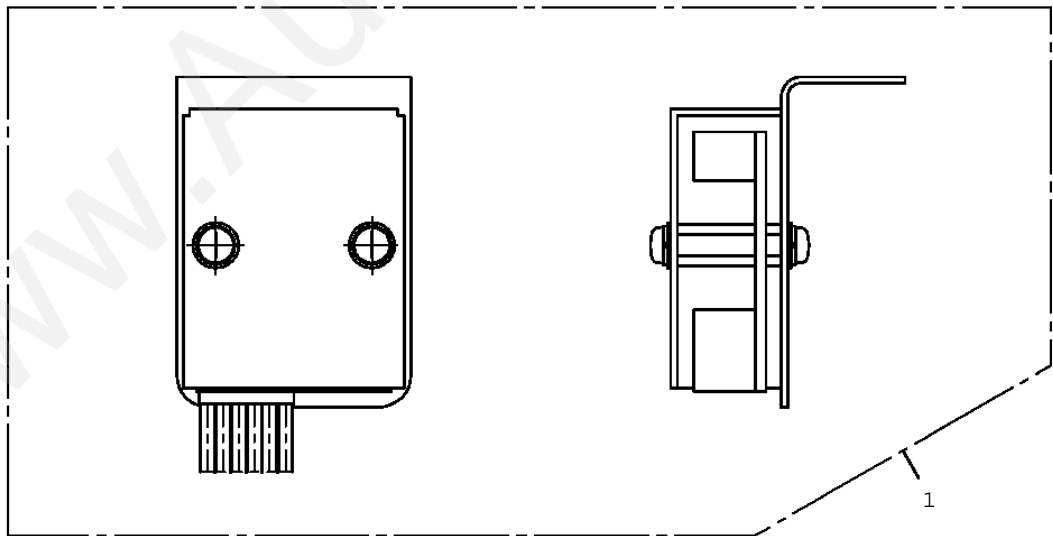
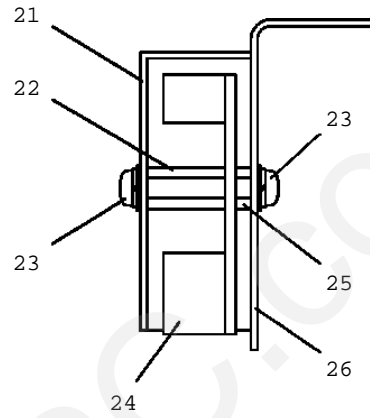
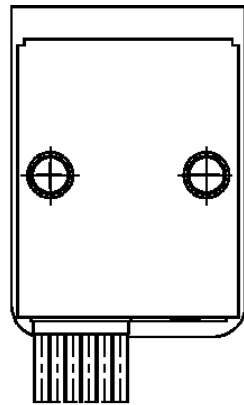
**PTOレバーが基座横にある場合 (Bタイプ)**



**純正PTO付きの場合 (Cタイプ)**



TM-ZF360 41102210021A FRAME/SL, MANUAL  
PN1011778-01 ELEC.ASSY (LOWAR)



**F**



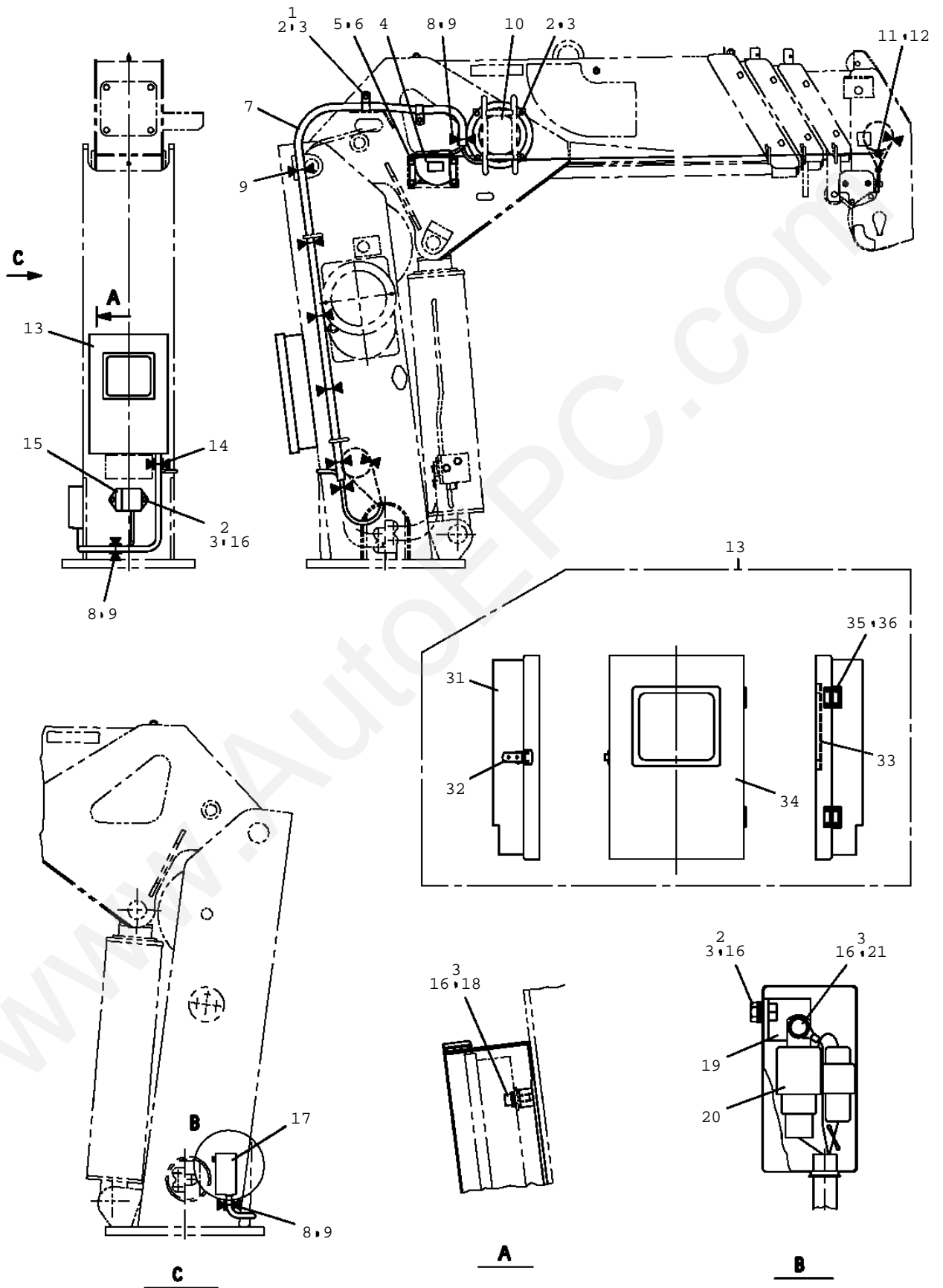


**TM-ZF360 41102210021A FRAME/SL,MANUAL**

Pos No.	Parts No	Parts Name	Qty	Unit	Technical Data	Serial No (Sta
2	31380292400	PLATE, NAME	1			
3	31380292500	HARNESS	1			
4	31380174000	LAMP ASSY	1			
5	82100000191	TERMINAL	1			
6	82100000183	INSULATOR	1			
7	91810130240	FASTENER	4			
8	82100002673	CONNECTOR (0.5-0.85,RED)	2			
9	82100001400	TERMINAL	2			
10	31380292700	PLATE, CAUTION	1			
11	31380292600	SUPPORT	1			
12	80172305020	SCREW, MACHINE	2		M5X20	
13	90302040501	WASHER, SPRING	2		5	
14	90303070501	WASHER, PLAIN	2		5	
21	31380172700	SUPPORT	1			
22	82197001312	SPACER	2			
23	80192483010	SCREW, MACHINE	4		M3X10	
24	31380292200	BUZZER ASSY	1			
25	90202200300	NUT	2		M3	
26	31380292300	SUPPORT	1			

www.AutoEPC.com

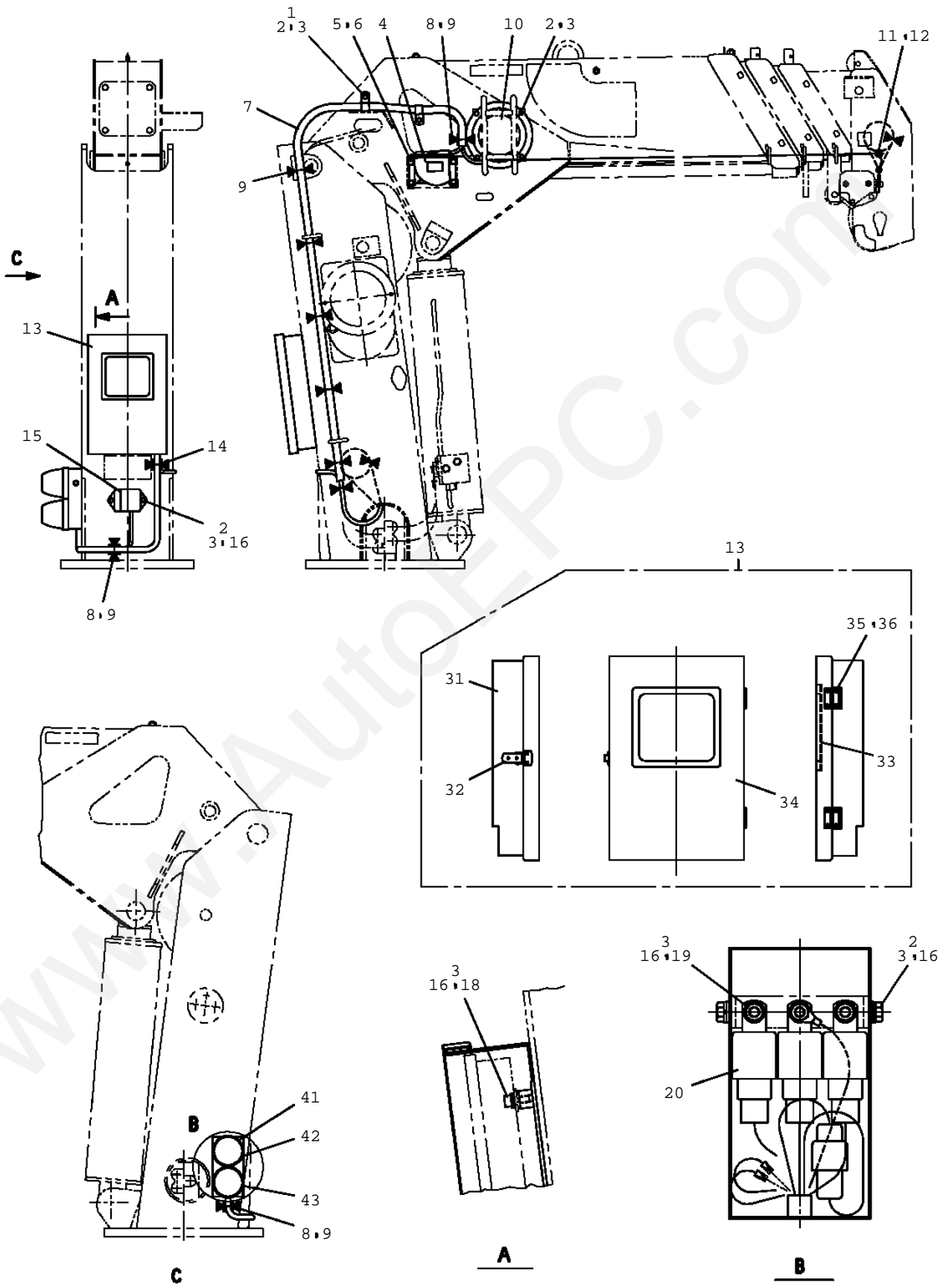
TM-ZF360 41102210021A FRAME/SL, MANUAL  
 PN1011779-00 ELEC.ASSY (AWL)



**TM-ZF360 41102210021A FRAME/SL, MANUAL**

Pos No.	Parts No	Parts Name	Qty	Unit	Technical Data	Serial No (Start)
1	82100002014	CLAMP	2		WR20	
2	90101206010	BOLT	9		M6X1.0	
3	90302040601	WASHER, SPRING	14		6	
4	36140180000	DETECTOR, BOOM ANGLE	1			
5	90101208012	BOLT	4		M8X12	
6	90302040801	WASHER, SPRING	4		8	
7	31360191010	COVER	1			
8	82401601002	CLAMP	4			
9	91810130240	FASTENER	12			
10	36130800000	DETECTOR, BOOM LENGTH	1			
11	31360101000	SUPPORT	1			
12	90203401200	NUT	1		M16	
13	31360041000	COVER ASSY	1			
14	31473971100	HARNES	1			
15	31360191600	BUZZER ASSY	1			
16	90303070601	WASHER, PLAIN	8		6	
17	31651810200	COVER	1			
18	90131506016	BOLT, HEXAGON SOCKET	4		M6X16	
19	31651870400	SUPPORT	1			
20	82100002596	RELAY	1			
21	90101206016	BOLT	1		M6X16	
31	31360041100	SUPPORT	1			
32	90000000044	CATCH	1			
33	31360041300	PLATE	1			
34	31360041200	COVER	1			
35	82400000348	HINGE	2			
36	80172303008	SCREW, MACHINE	6		M3X8	

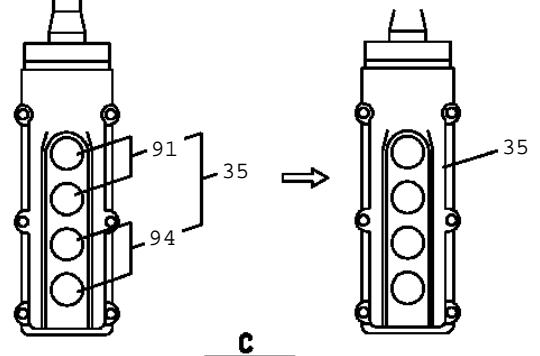
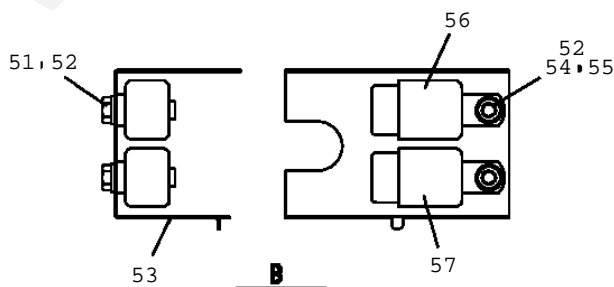
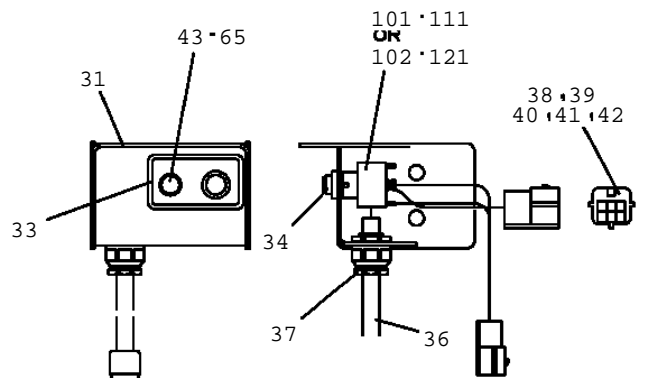
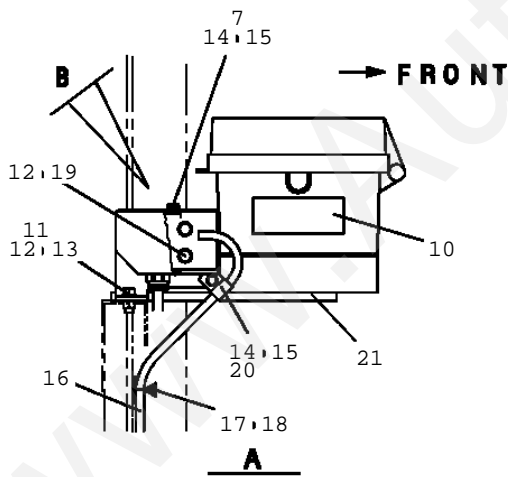
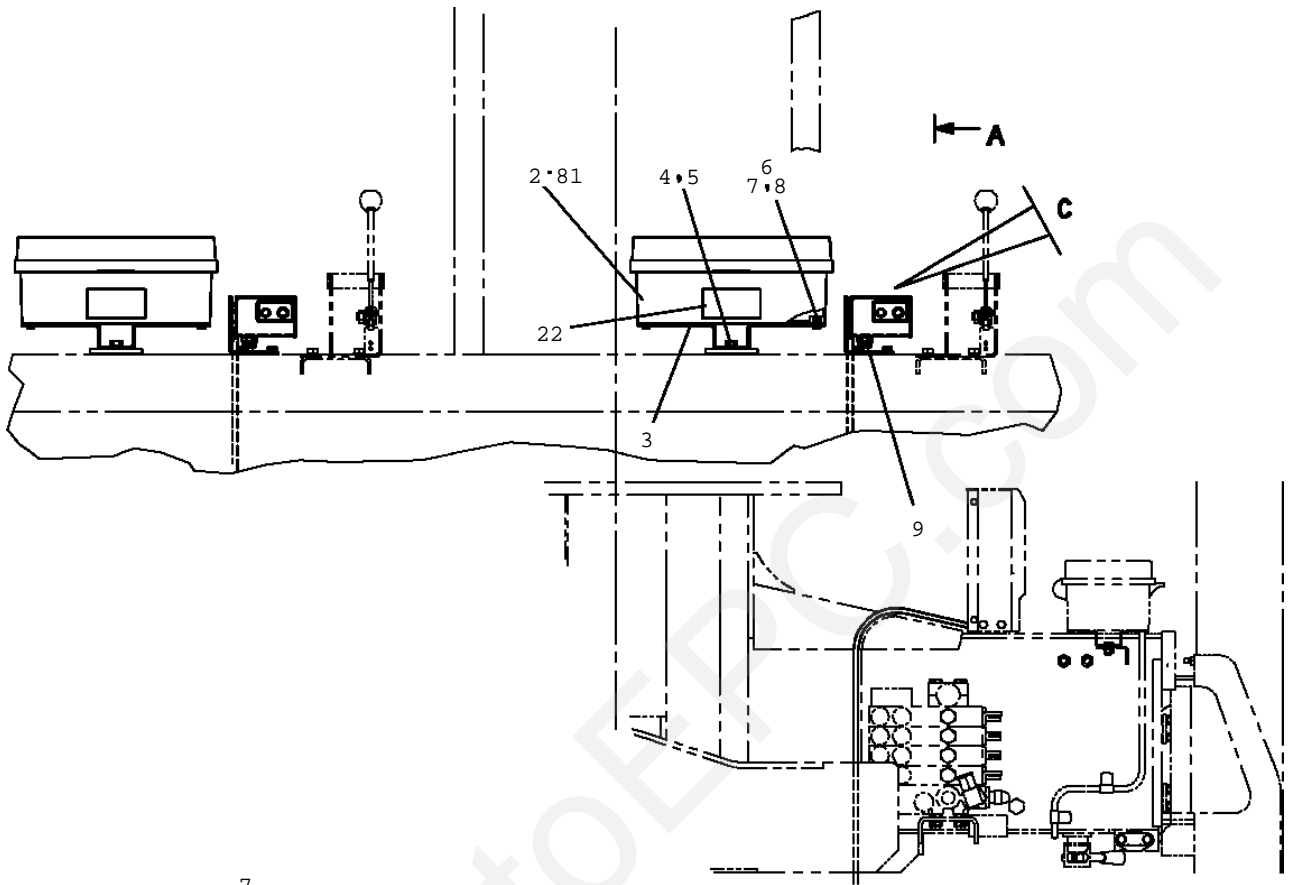
TM-ZF360 41102210021A FRAME/SL, MANUAL  
 PN1011780-00 ELEC.ASSY (AWL)



**TM-ZF360 41102210021A FRAME/SL, MANUAL**

Pos No.	Parts No	Parts Name	Qty	Unit	Technical Data	Serial No (Start)
1	82100002014	CLAMP	2		WR20	
2	90101206010	BOLT	10		M6X1.0	
3	90302040601	WASHER, SPRING	17		6	
4	36140180000	DETECTOR, BOOM ANGLE	1			
5	90101208012	BOLT	4		M8X12	
6	90302040801	WASHER, SPRING	4		8	
7	31360191010	COVER	1			
8	82401601002	CLAMP	4			
9	91810130240	FASTENER	12			
10	36130800000	DETECTOR, BOOM LENGTH	1			
11	31360101000	SUPPORT	1			
12	90203401200	NUT	1		M16	
13	31360041000	COVER ASSY	1			
14	31474591100	HARNES	1			
15	31360191600	BUZZER ASSY	1			
16	90303070601	WASHER, PLAIN	11		6	
18	90131506016	BOLT, HEXAGON SOCKET	4		M6X16	
19	90201200600	NUT	3		M6	
20	82100002596	RELAY	3			
31	31360041100	SUPPORT	1			
32	90000000044	CATCH	1			
33	31360041300	PLATE	1			
34	31360041200	COVER	1			
35	82400000348	HINGE	2			
36	80172303008	SCREW, MACHINE	6		M3X8	
41	31474591210	SUPPORT	1			
42	82100002676	LAMP	1			
43	82199424421	LAMP	1			

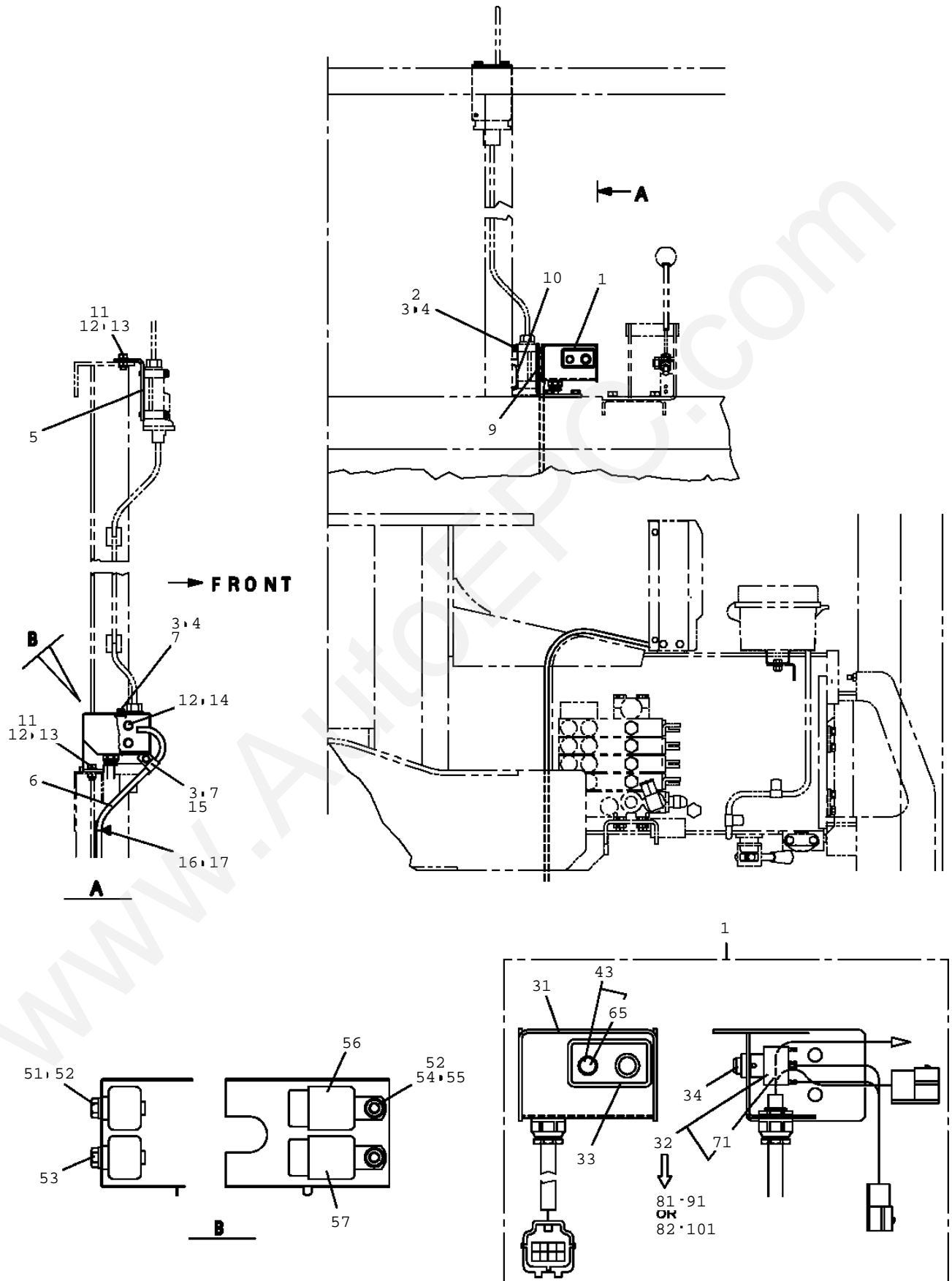
TM-ZF360 41102210021A FRAME/SL, MANUAL  
 PN1011828-03 ELEC.ASSY (SL)



**TM-ZF360 41102210021A FRAME/SL,MANUAL**

Pos No.	Parts No	Parts Name	Qty	Unit	Technical Data	Serial
2	36800174100	BOX	1			
3	36800174201	SUPPORT	1			
4	90101210016	BOLT	2		M10X16	
5	90302041001	WASHER,SPRING	2		10	
6	80182306016	SCREW,MACHINE	4		M6X16	
7	90303100601	WASHER,PLAIN	5		6	
8	90201200600	NUT	4		M6	
9	31652830300	SUPPORT	1			
10	36800174300	PLATE,CAUTION	1			
11	90101208020	BOLT	2		M8X20	
12	90302040801	WASHER,SPRING	4		8	
13	90201200800	NUT	2		M8	
14	90101206010	BOLT	2		M6X1.0	
15	90302040601	WASHER,SPRING	2		6	
16	31652830200	HARNES	1			
17	82401601002	CLAMP	12			
18	91810130240	FASTENER	14			
19	90101208012	BOLT	2		M8X12	
20	82100002004	CLAMP	1		WR8	
21	31652320200	PLATE	1			
22	31394860300	PLATE,CAUTION	1			
31	31651771700	PANEL	1			
33	31652831100	PLATE,NAME	1			
34	82197600103	CAP (RED)	1			
35	82109862072	SWITCH	1			
36	82141830005	CABLE	15	M	6DX5X0.75	
37	82100001408	CONNECTOR (SEAL)	1			
38	82114203060	CONNECTOR (CAP)	1			
39	82121502060	PLATE	1			
40	82111203020	TERMINAL	5			
41	82121501020	PLUG	5			
42	82121501040	PLUG	1			
43	42433333300	LAMP ASSY (RED)<24V)	1			
51	90101206014	BOLT	2		M6X14	
52	90303070601	WASHER,PLAIN	4		6	
53	31652830110	COVER	1			
54	90302040601	WASHER,SPRING	2		6	
55	90201200600	NUT	2		M6	
56	82100002596	RELAY	1			
57	82100002597	RELAY	1			
65	82100002462	LAMP,PILOT (RED)	1			
81	36800175090	COVER (UPPER)	1			
91	82109860005	CONTACTOR (STOP-HIGH SPEED)	1			
94	82109860004	CONTACTOR (WINCH UP-WINCH DOWN)	1			
101	31651752300	SWITCH ASSY (MATSUSHITA)	1			
102	31652112300	SWITCH ASSY (NIHON AUTOMATIC)	1			
111	82101429240	SWITCH,PUSH (GREEN)	1			
121	82101940110	SWITCH,PUSH	1			

TM-ZF360 41102210021A FRAME/SL, MANUAL  
 PN1011829-01 ELEC.ASSY (SL)

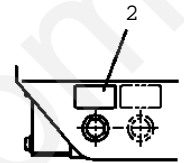
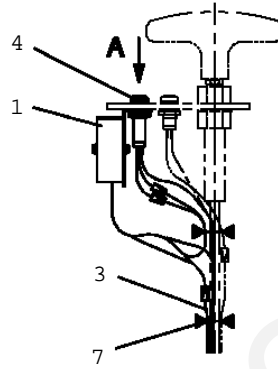
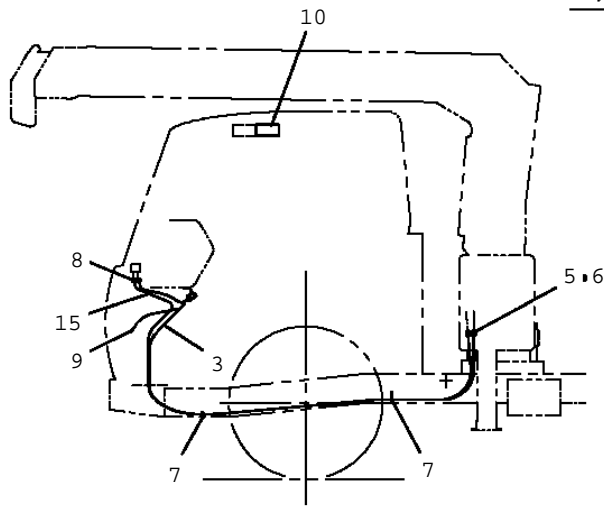




**TM-ZF360 41102210021A FRAME/SL, MANUAL**

Pos No.	Parts No	Parts Name	Qty	Unit	Technical Data	Serial No (Start)
1	31652841000	SWITCH ASSY	1			
2	90101206045	BOLT	8		M6X45	
3	90302040601	WASHER, SPRING	10		6	
4	90303070601	WASHER, PLAIN	9		6	
5	31652840100	SUPPORT	1			
6	31652830200	HARNES	1			
7	90101206010	BOLT	2		M6X1.0	
9	31652830300	SUPPORT	1			
10	31652391300	COVER	1			
11	90101208020	BOLT	4		M8X20	
12	90302040801	WASHER, SPRING	6		8	
13	90201200800	NUT	4		M8	
14	90101208012	BOLT	2		M8X12	
15	82100002004	CLAMP	1		WR8	
16	91810130240	FASTENER	14			
17	82401601002	CLAMP	12			
31	31651771700	PANEL	1			
32	31651752100	SWITCH ASSY	1			
33	31652831100	PLATE, NAME	1			
34	82197600103	CAP (RED)	1			
43	42433333300	LAMP ASSY (RED)<24V)	1			
51	90101206014	BOLT	2		M6X14	
52	90303070601	WASHER, PLAIN	4		6	
53	31652830110	COVER	1			
54	90302040601	WASHER, SPRING			6	
55	90201200600	NUT	2		M6	
56	82100002596	RELAY	1			
57	82100002597	RELAY	1			
65	82100002462	LAMP, PILOT (RED)	1			
71	82101419002	SWITCH, PUSH	1			

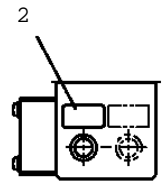
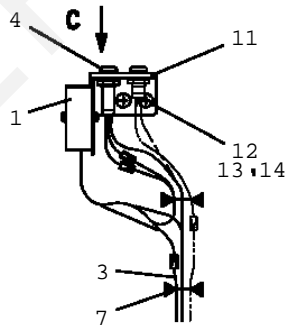
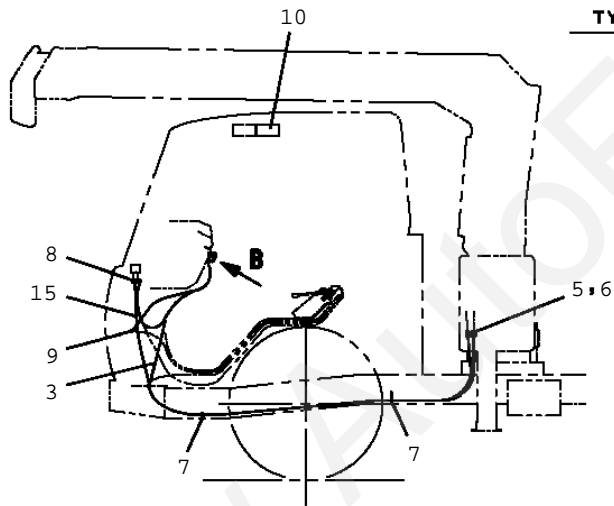
**TYPE A**



**A**

PTO CONTRL

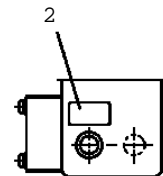
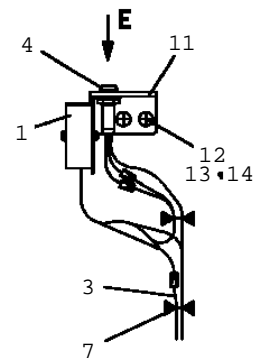
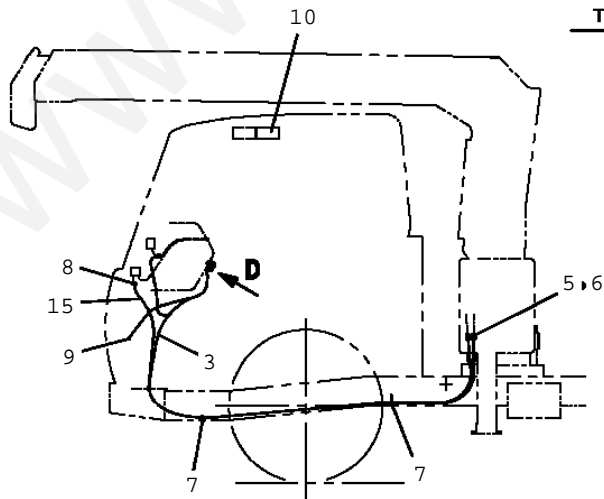
**TYPE B**



**C**

**B**

**TYPE C**



**E**

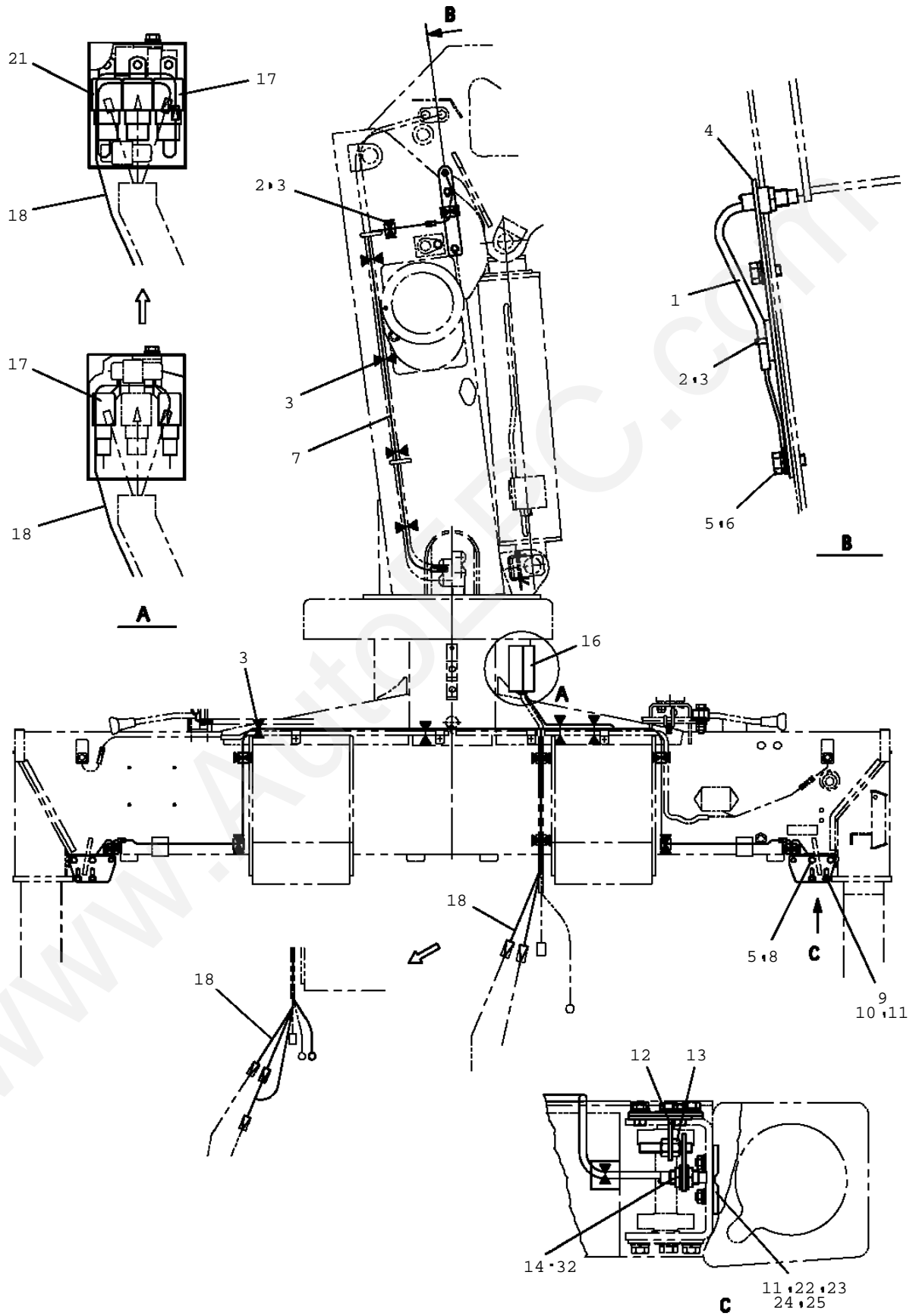
**D**

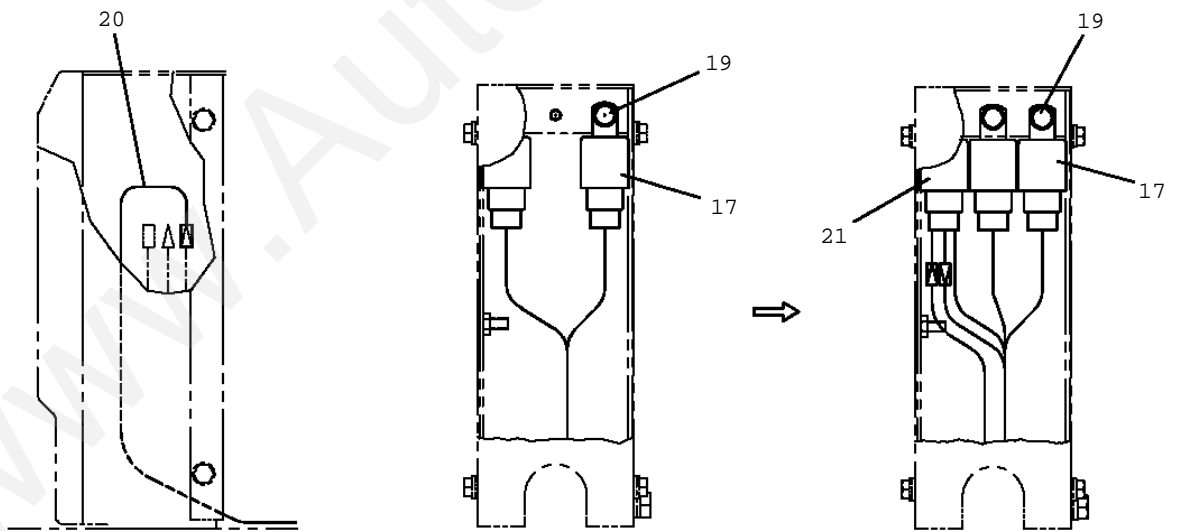
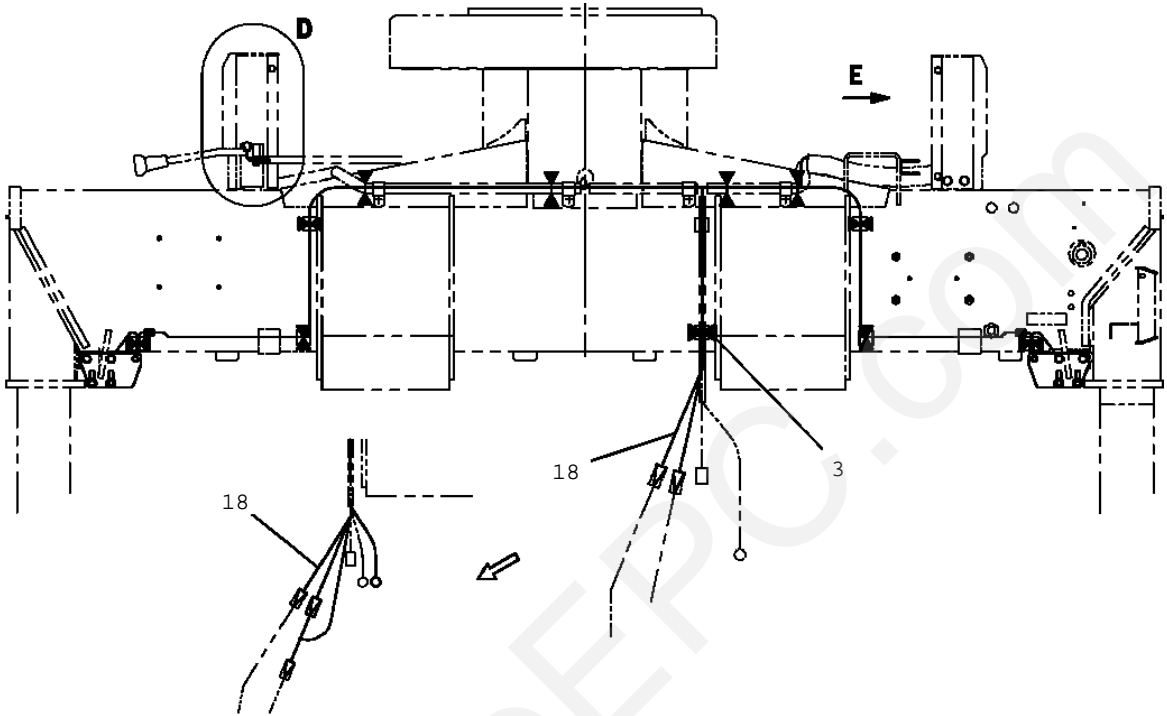
**TM-ZF360 41102210021A FRAME/SL,MANUAL**

Pos No.	Parts No	Parts Name	Qty	Unit	Technical Data	Serial No (Sta
1	31380292101	ALARM ASSY	1			
2	31475352100	PLATE,NAME	1			
3	31380292500	HARNESS	1			
4	31380174000	LAMP ASSY	1			
5	82100000191	TERMINAL	1			
6	82100000183	INSULATOR	1			
7	91810130240	FASTENER	4			
8	82100002673	CONNECTOR (0.5-0.85,RED)	3			
9	82100001400	TERMINAL	2			
10	31475352200	PLATE,CAUTION	1			
11	31380292600	SUPPORT	1			
12	80172305020	SCREW,MACHINE	2		M5X20	
13	90302040501	WASHER,SPRING	2		5	
14	90303070501	WASHER,PLAIN	2		5	
15	31380292800	HARNESS	1			

www.AutoEPC.com

TM-ZF360 41102210021A FRAME/SL, MANUAL  
PN1011983-02 ELEC.ASSY (ALARM,UPPER)





**D**

**E**

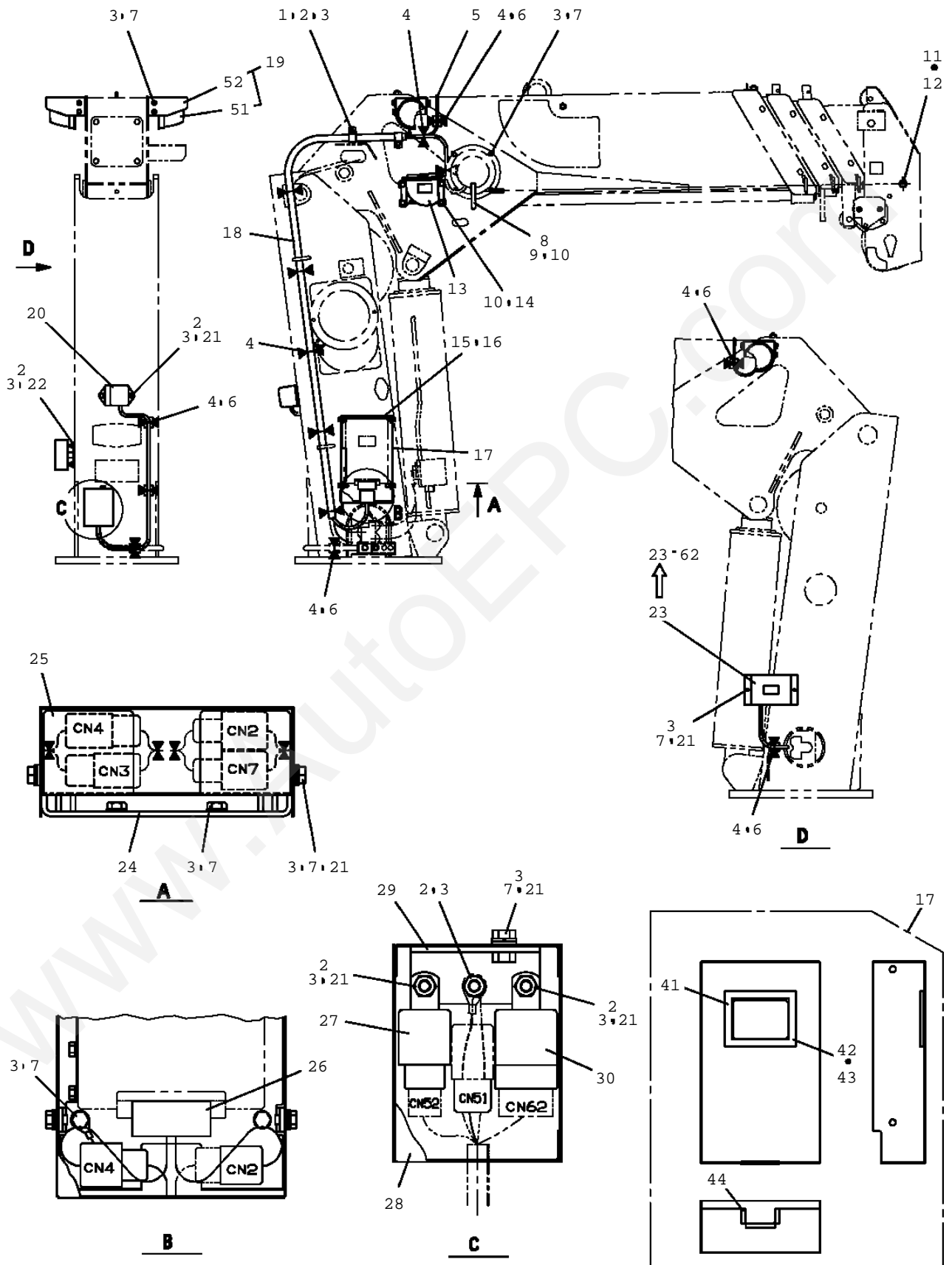
SEE THESE FIGURES IF THERE IS A CONTROL PANEL ON

**TM-ZF360 41102210021A FRAME/SL,MANUAL**

Pos No.	Parts No	Parts Name	Qty	Unit	Technical Data	Serial No (Start)	Serial
1	82108901180	SWITCH	1		APS8-12GM-Z		
2	82401601002	CLAMP	10				
3	91810130240	FASTENER	20				
4	31380291100	SUPPORT	1				
5	90101208016	BOLT	6		M8X16		
6	90303070801	WASHER, PLAIN	2		8		
7	31652160100	HARNES	1		L=1400		
8	31475381200	SUPPORT	2				
9	90101206016	BOLT	4		M6X16		
10	37000526010	PLATE	4				
11	90302040601	WASHER, SPRING	4		6		
12	31475351200	SUPPORT	2				
13	90201200800	NUT	4		M8		
14	31475351300	SWITCH ASSY	2				
16	31360201600	COVER	1				
17	82100002596	RELAY	2				
18	31475371100	HARNES	1				
19	80192486010	SCREW, MACHINE	2		M6X10		
20	31473460300	HARNES (RED)	1		L=1600		
32	82108901180	SWITCH	2		APS8-12GM-Z		

www.AutoEPC.com

TM-ZF360 41102210021A FRAME/SL, MANUAL  
 PN1011985-02 ELEC.ASSY (BML,OPTION)

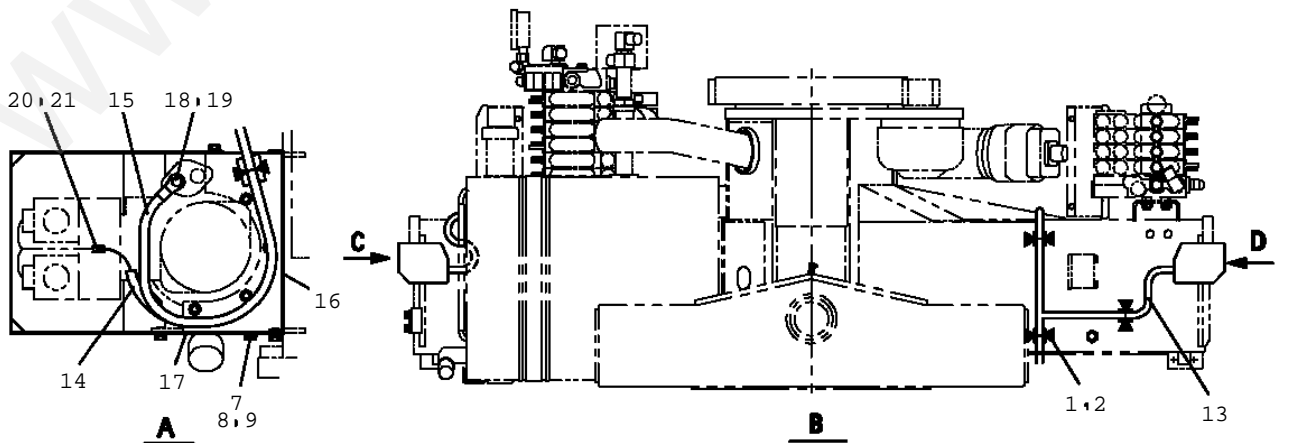
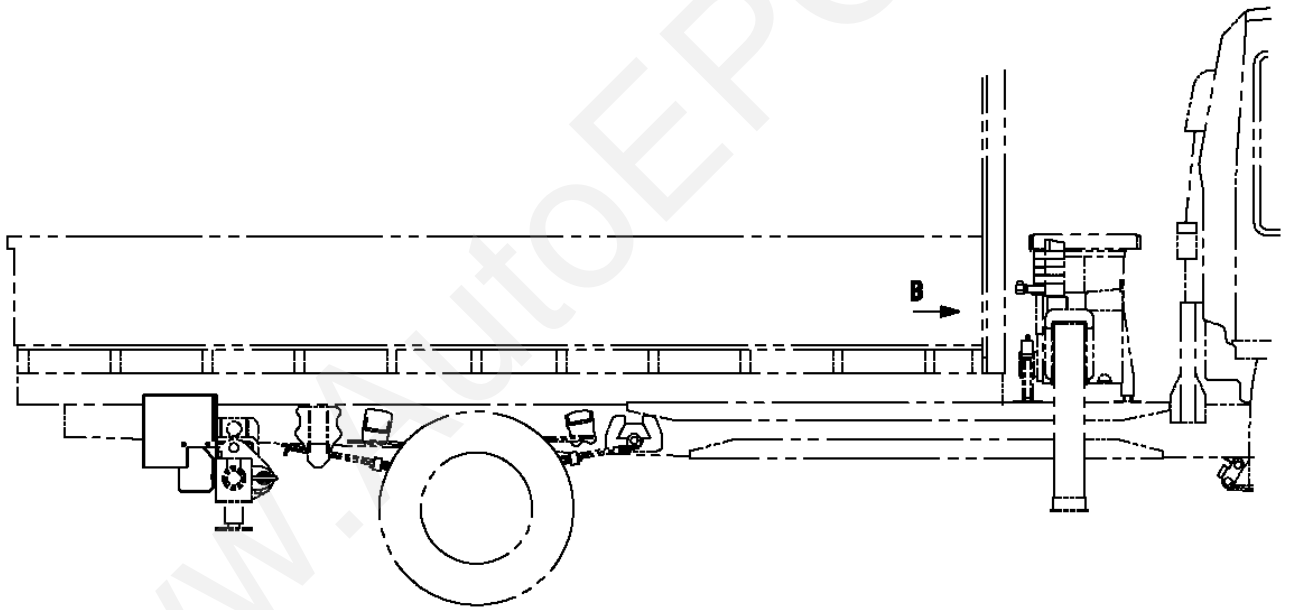
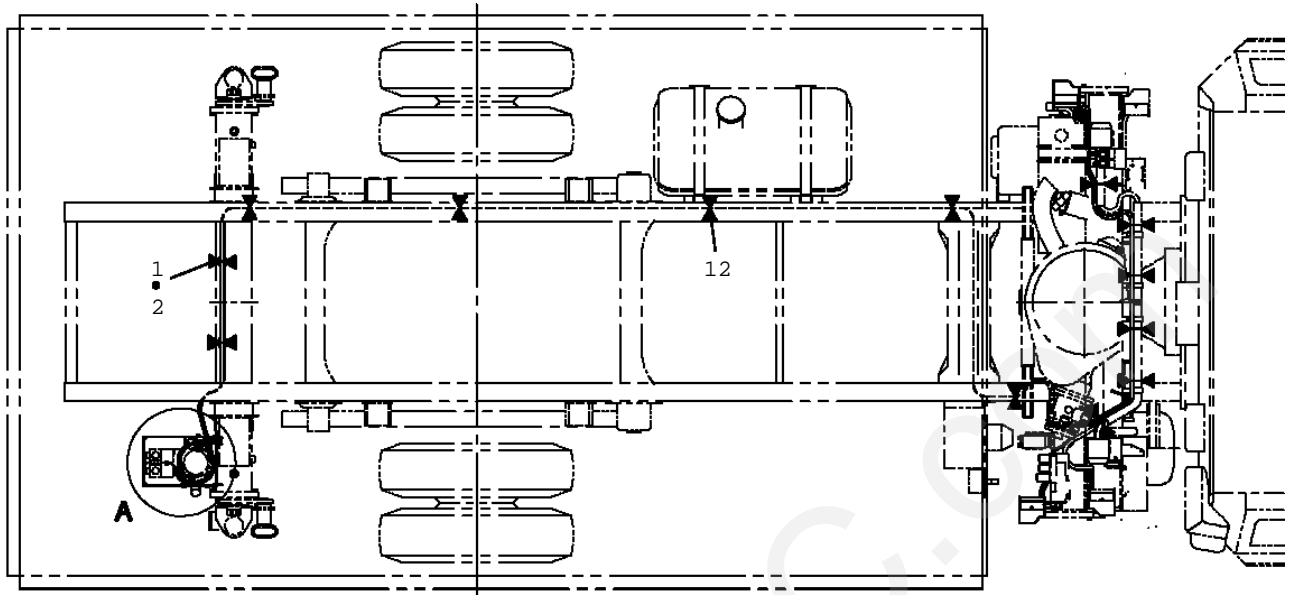


**TM-ZF360 41102210021A FRAME/SL, MANUAL**

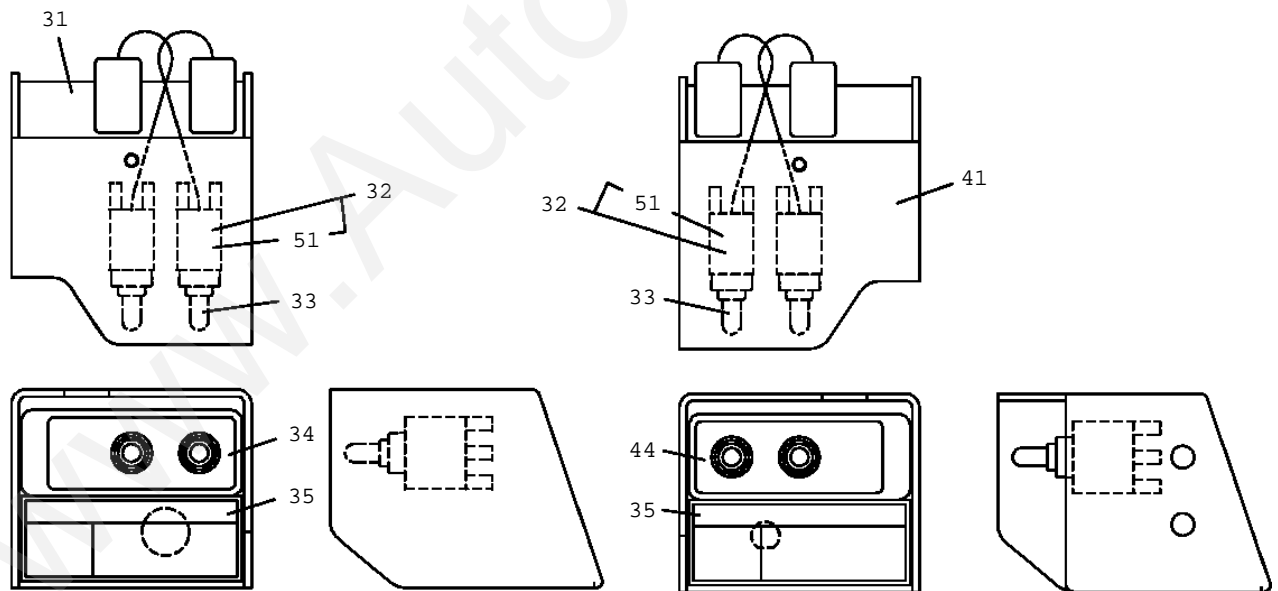
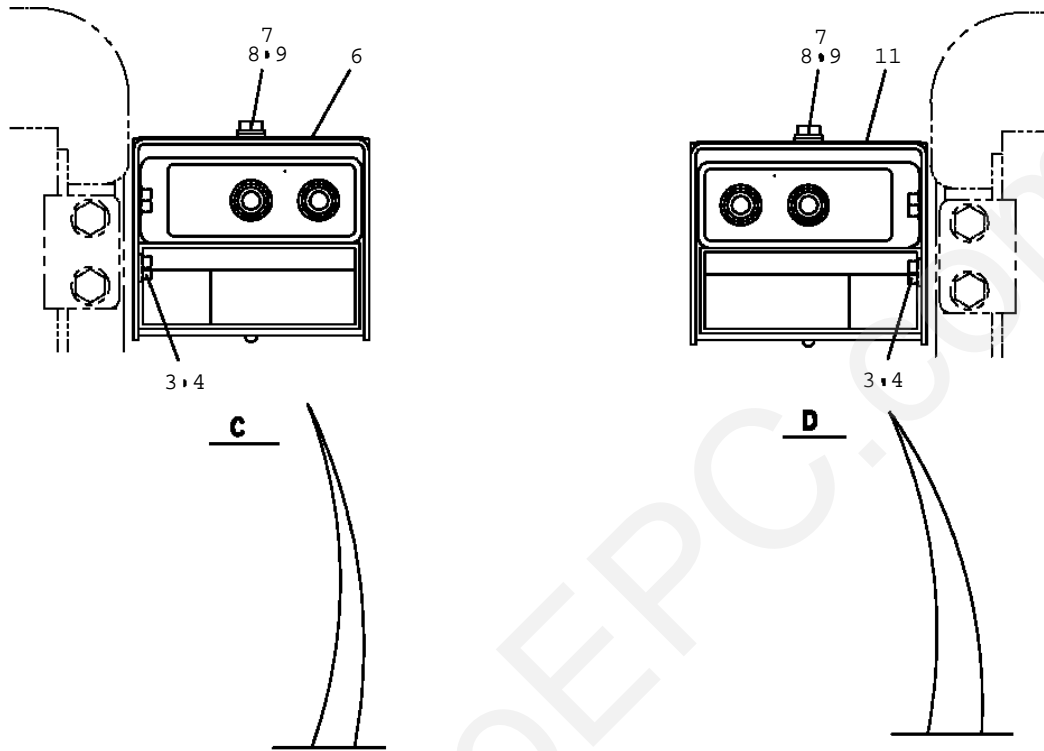
Pos No.	Parts No	Parts Name	Qty	Unit	Technical Data	Serial No (Start)
1	82100002014	CLAMP	2		WR20	
2	90201200600	NUT	10		M6	
3	90302040601	WASHER, SPRING	37		6	
4	91810130240	FASTENER	20			
5	31360201101	HARNESS	1			
6	82401601002	CLAMP	7			
7	90101206012	BOLT	27		M6X12	
8	31360201200	SUPPORT	1			
9	90201200800	NUT	4		M8	
10	90302040801	WASHER, SPRING	8		8	
11	31360201010	SUPPORT	1			
12	90203401200	NUT	2		M16	
13	36140380000	DETECTOR, BOOM ANGLE	1			
14	90101208012	BOLT	4		M8X12	
15	90101205010	BOLT	4		M5X10	
16	90302040501	WASHER, SPRING	4		5	
17	31360191300	COVER ASSY	1			
18	31360191010	COVER	1			
19	31360201300	LAMP ASSY	2			
20	31360191600	BUZZER ASSY	1			
21	90303070601	WASHER, PLAIN	11		6	
22	31360201400	SUPPORT	1			
23	31360243000	INDICATOR ASSY	1			
24	31360191500	SUPPORT	2			
25	31360191030	SUPPORT ASSY	1			
26	31360201500	HARNESS	1			
27	82100002596	RELAY	1			
28	31360201600	COVER	1			
29	31360201700	SUPPORT	1			
30	82161201010	RELAY	1			
41	31360191310	COVER	1			
42	31360191320	PLATE	1			
43	31360191330	SEAL	1			
51	82199444321	LAMP	2			
52	31360201310	SUPPORT	2			



TM-ZF360 41102210021A FRAME/SL, MANUAL  
PN1012023-01 ELEC.ASSY (OUTRIGGER, REAR)



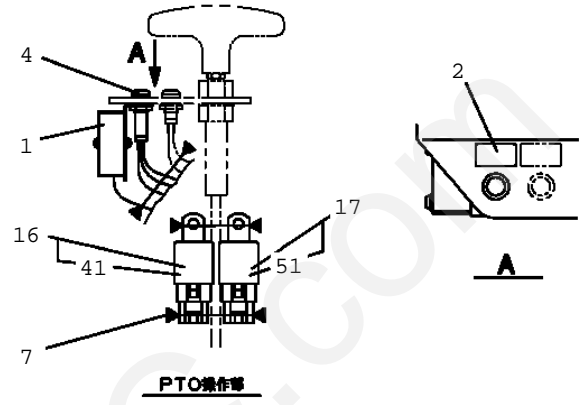
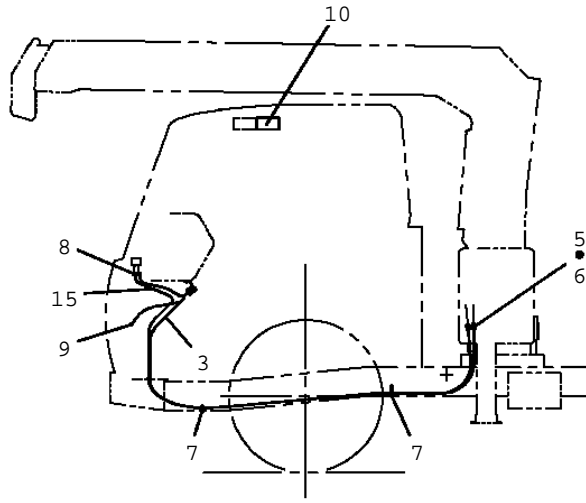
TM-ZF360 41102210021A FRAME/SL, MANUAL  
PN1012023-01 ELEC.ASSY (OUTRIGGER, REAR)



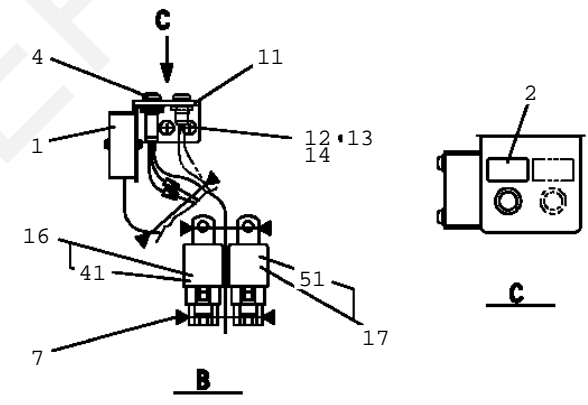
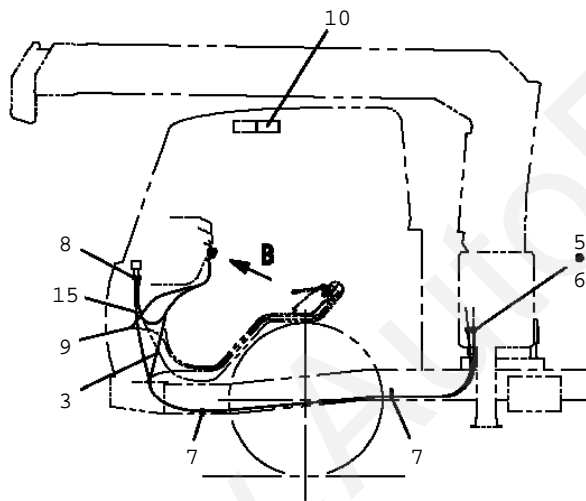
**TM-ZF360 41102210021A FRAME/SL,MANUAL**

Pos No.	Parts No	Parts Name	Qty	Unit	Technical Data	Serial No (St
1	82401601002	CLAMP	6			
2	91810130240	FASTENER	6			
3	90101208012	BOLT	4		M8X12	
4	90302040801	WASHER, SPRING	4		8	
6	31651771500	COVER (RIGHT)	1			
7	90101206010	BOLT	8		M6X1.0	
8	90302040601	WASHER, SPRING	8		6	
9	90303070601	WASHER, PLAIN	8		6	
11	31651772500	COVER (LEFT)	1			
12	91810130250	FASTENER	11			
13	31611614100	HARNESS	1			
14	31611614200	HARNESS	1			
15	31611614300	HARNESS	1		L=10000	
16	31611614400	COVER	1			
17	31611614500	COVER	1			
18	82100002503	TERMINAL	1			
19	82100001226	INSULATOR	1			
20	82100000191	TERMINAL	5			
21	82100000183	INSULATOR	5			
31	31651771100	PANEL	1			
32	31651771200	SWITCH ASSY	4			
33	82197518114	CAP (MATSUSHITA/BLACK)	4			
	82197518119	CAP (PLUS ONE MFG./BLACK)	4			
34	31611494210	PLATE, NAME	1			
35	31394490500	PLATE, CAUTION	2			
41	31651772100	PANEL	1			
44	31611494410	PLATE, NAME	1			
51	82105413140	SWITCH, TOGGLE	4			

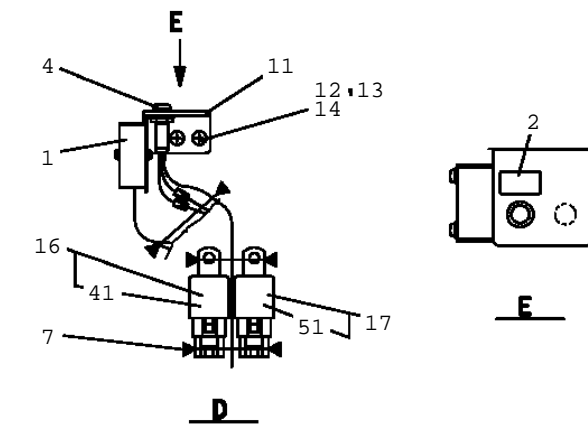
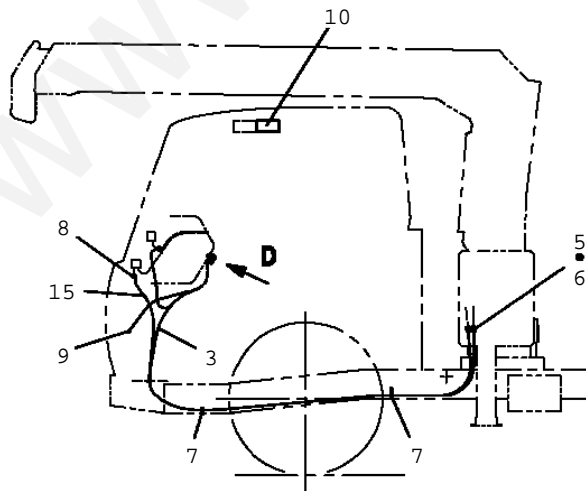
PTOレバーがハンドル横にある場合 (Aタイプ)



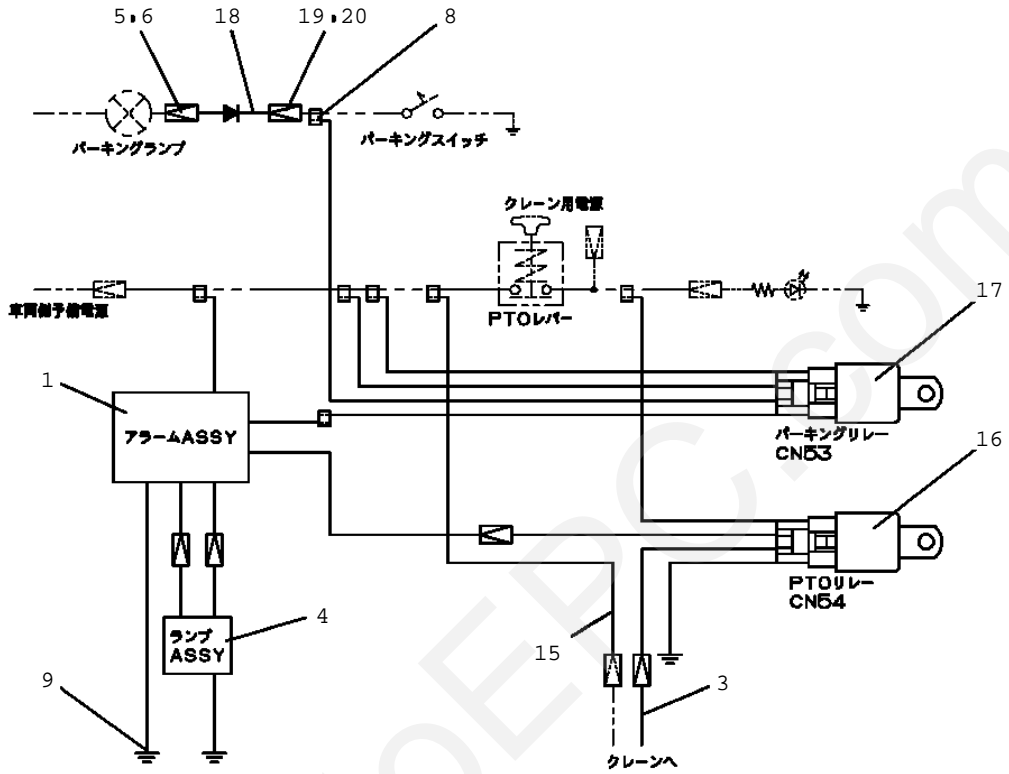
PTOレバーが座席後にある場合 (Bタイプ)



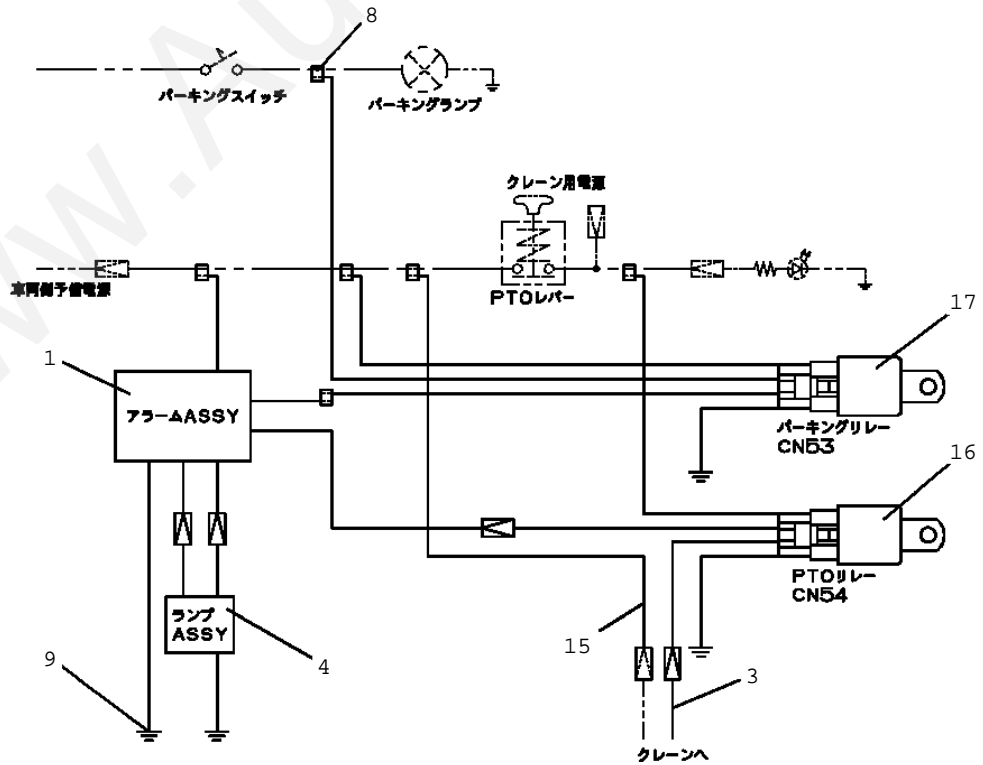
純正PTO付きの場合 (Cタイプ)



パーキングランプの下流にパーキングスイッチがある場合 (Dタイプ)



パーキングランプの上流にパーキングスイッチがある場合 (Eタイプ)

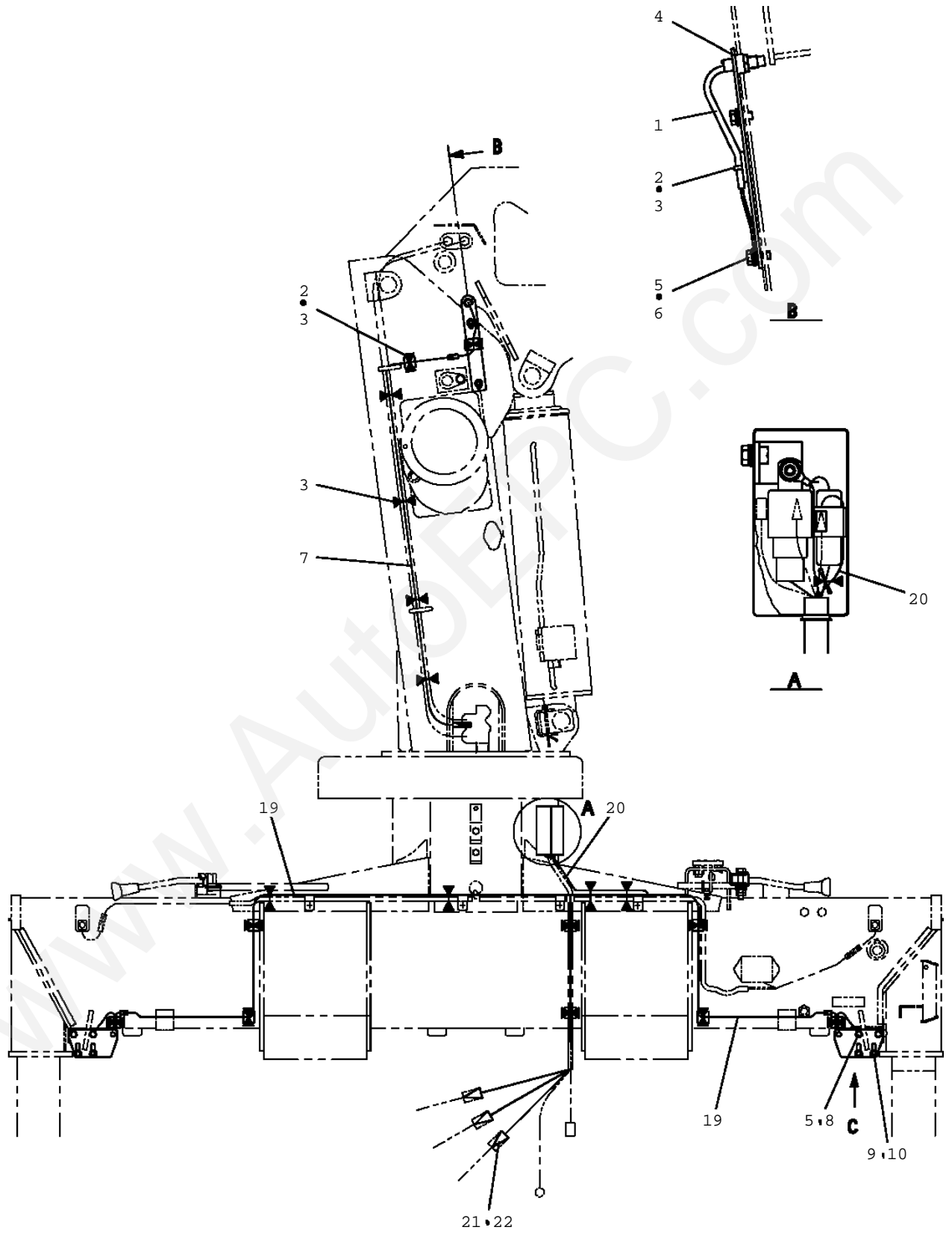


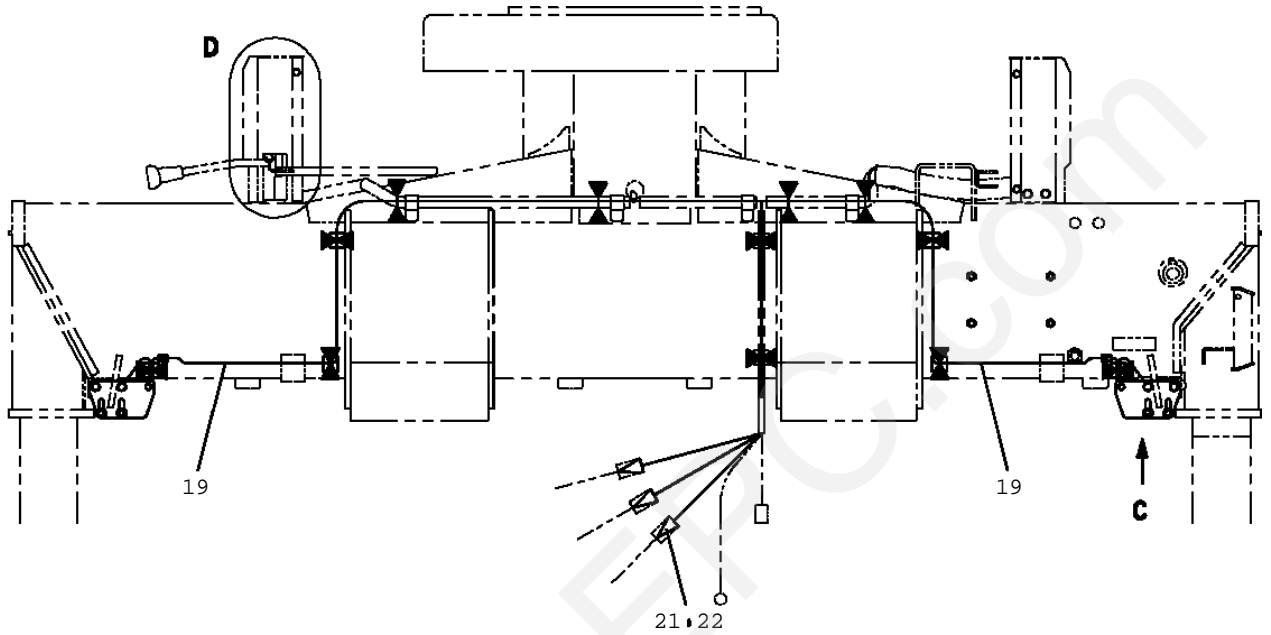
**TM-ZF360 41102210021A FRAME/SL,MANUAL**

Pos No.	Parts No	Parts Name	Qty	Unit	Technical Data	Serial No (Sta
1	31380292101	ALARM ASSY	1			
2	31475352100	PLATE,NAME	1			
3	31380292500	HARNESS	1			
4	31380174000	LAMP ASSY	1			
5	82100000191	TERMINAL	2			
6	82100000183	INSULATOR	2			
7	91810130240	FASTENER	6			
8	82100002673	CONNECTOR (0.5-0.85,RED)	7			
9	82100001400	TERMINAL	4			
10	31475982100	PLATE,CAUTION	1			
11	31380292600	SUPPORT	1			
12	80172305020	SCREW,MACHINE	2		M5X20	
13	90302040501	WASHER,SPRING	2		5	
14	90303070501	WASHER,PLAIN	2		5	
15	31380292800	HARNESS	1			
16	31475982200	RELAY ASSY	1			
17	31475982300	RELAY ASSY	1			
18	31475982400	DIODE ASSY	1			
19	82100000192	TERMINAL	1			
20	82100000182	INSULATOR	1			
41	82100002597	RELAY	1			
51	82100002596	RELAY	1			

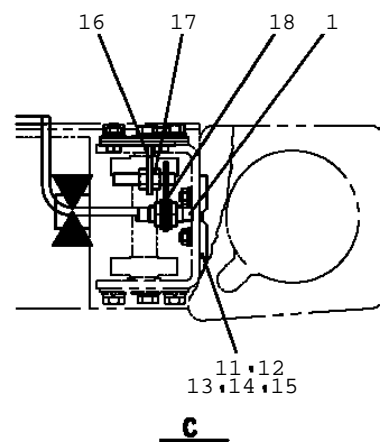
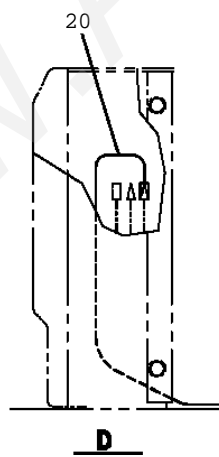
www.AutoEPC.com

TM-ZF360 41102210021A FRAME/SL, MANUAL  
PN1012771-00 ELEC.ASSY (ALARM,UPPER)





操作パネルがある場合



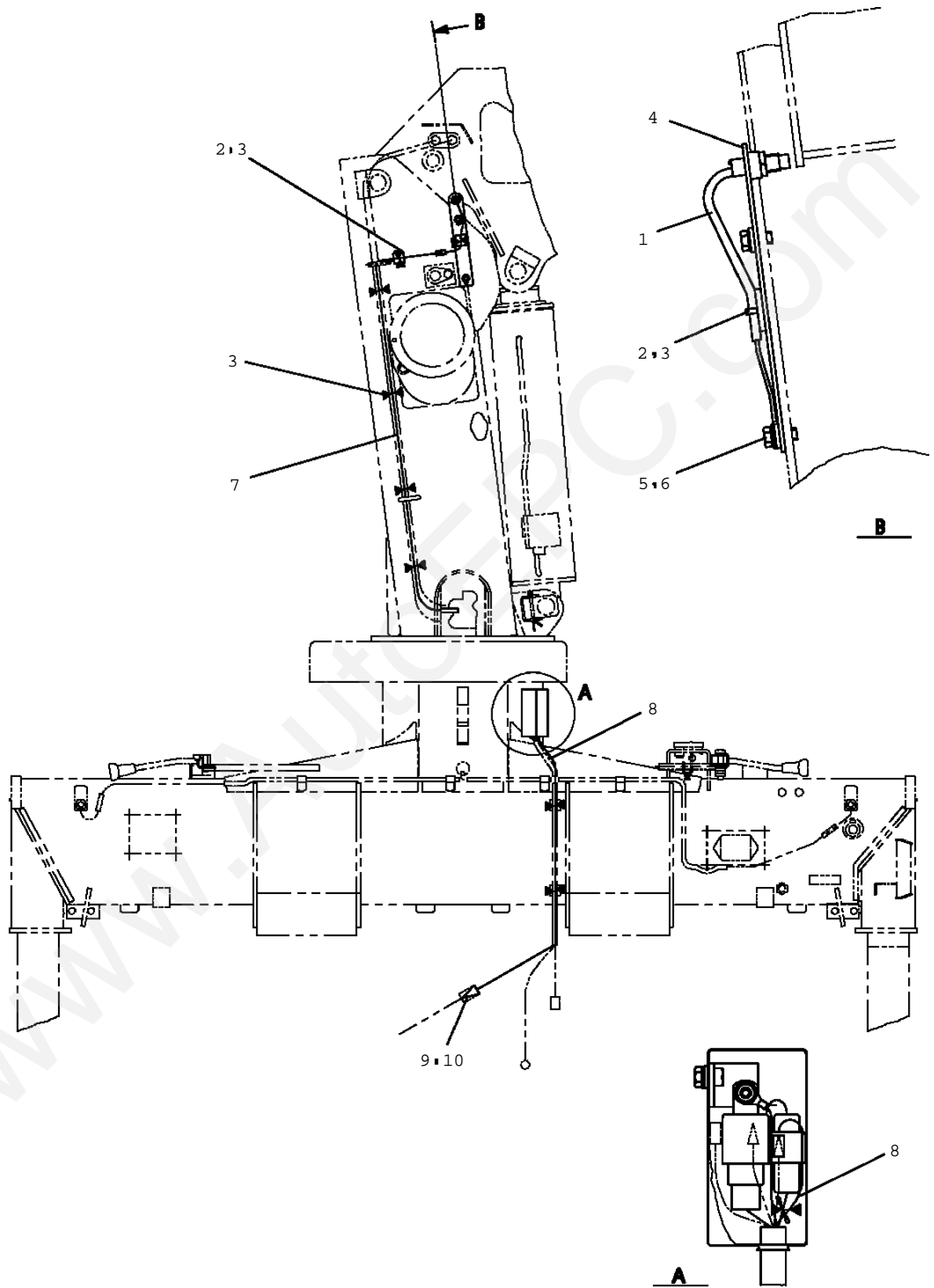


**TM-ZF360 41102210021A FRAME/SL,MANUAL**

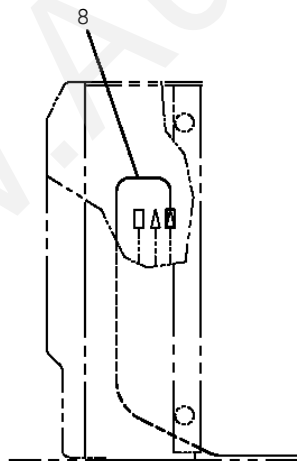
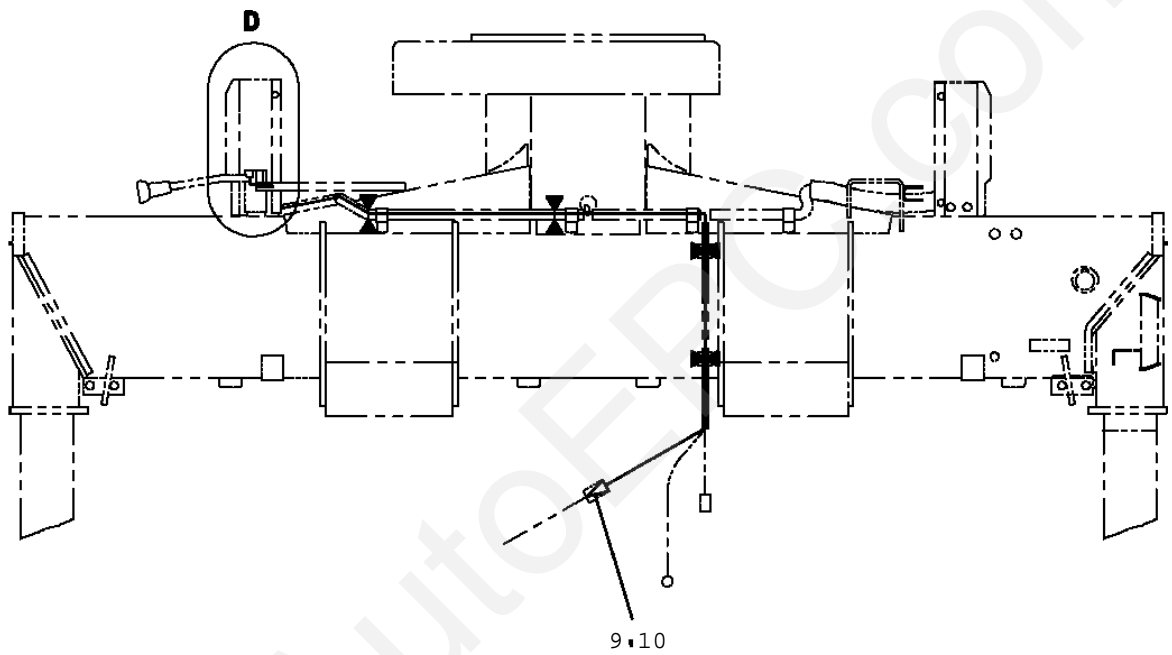
Pos No.	Parts No	Parts Name	Qty	Unit	Technical Data	Serial No (Start)	Seri
1	82108901220	SWITCH	3		APS8-12GMC-Z		
2	91850310405	CLAMP (BLACK)	10				
3	91810130240	FASTENER	21				
4	31380291100	SUPPORT	1				
5	90186208016	BOLT, FLANGE	6		M8X16		
6	90303070801	WASHER, PLAIN	2		8		
7	31652160100	HARNES	1		L=1400		
8	31475381200	SUPPORT	2				
9	90186206016	BOLT, FLANGE	4		M6X16		
10	37000526010	PLATE	4				
11	31475351800	PLATE	2				
12	80185306020	SCREW, MACHINE	4				
13	90302040601	WASHER, SPRING	4		6		
14	90303070601	WASHER, PLAIN	4		6		
15	90201200600	NUT	4		M6		
16	31475351200	SUPPORT	2				
17	90201200800	NUT	4		M8		
18	31475351400	SUPPORT	2				
19	31476361100	HARNES (RED)	2		L=2000		
20	31476361200	HARNES (WHITE)	1		L=2000		
21	82100000192	TERMINAL	3				
22	82100000182	INSULATOR	3				

www.AutoEPC.com

TM-ZF360 41102210021A FRAME/SL, MANUAL  
PN1012772-01 ELEC.ASSY (ALARM,UPPER)



TM-ZF360 41102210021A FRAME/SL, MANUAL  
PN1012772-01 ELEC.ASSY (ALARM,UPPER)



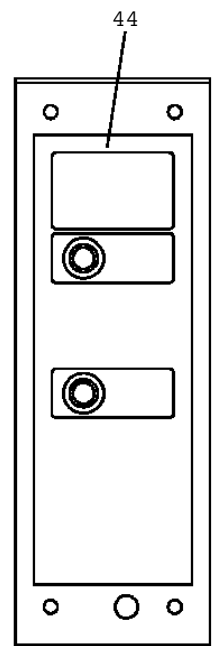
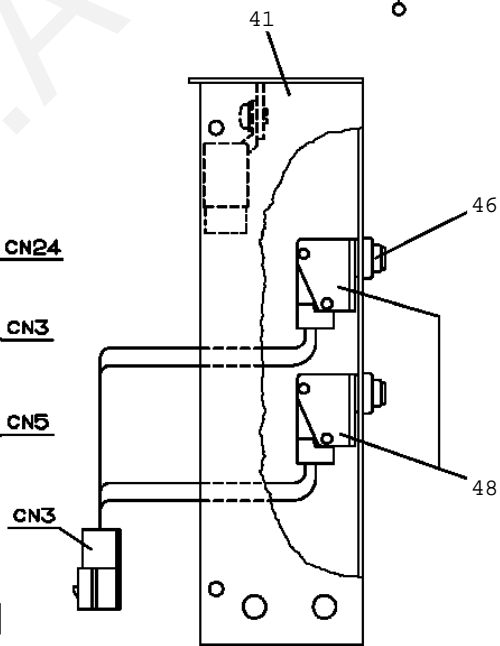
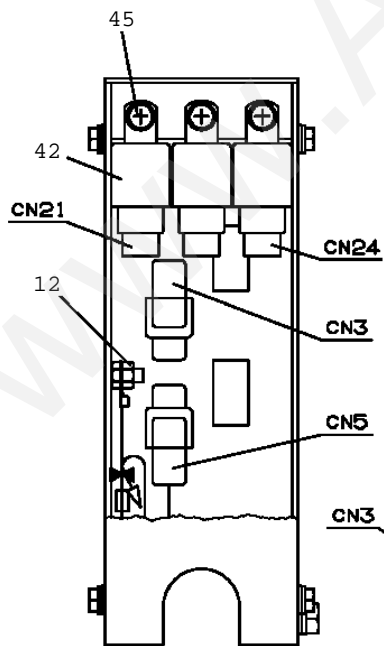
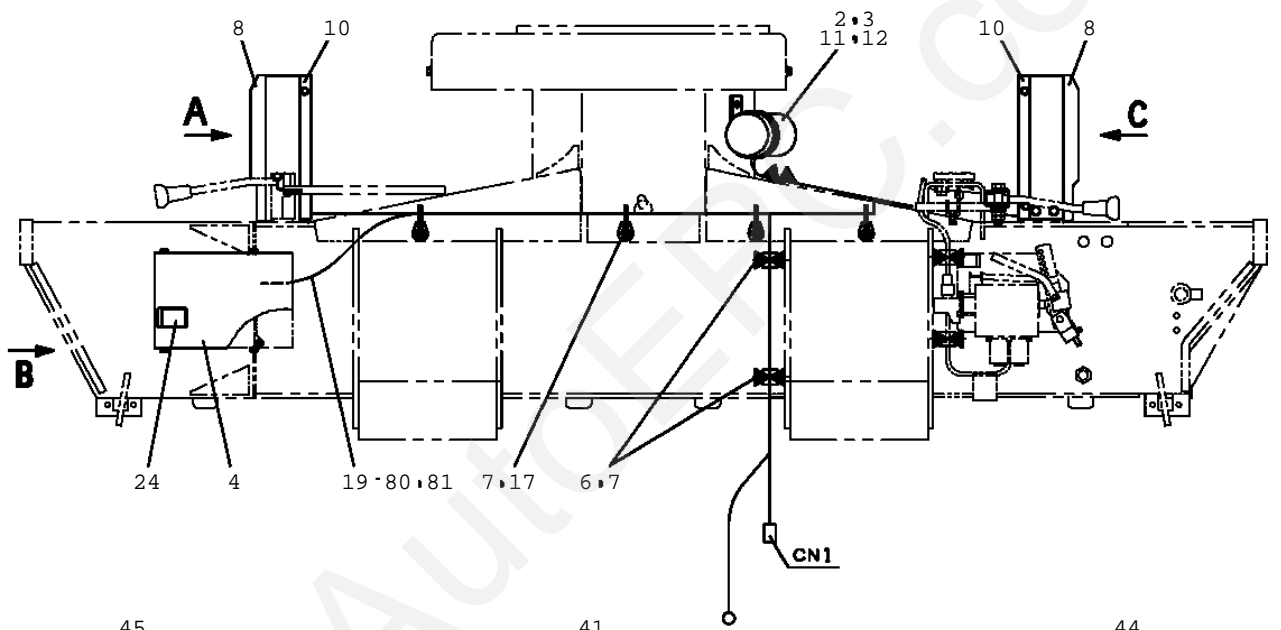
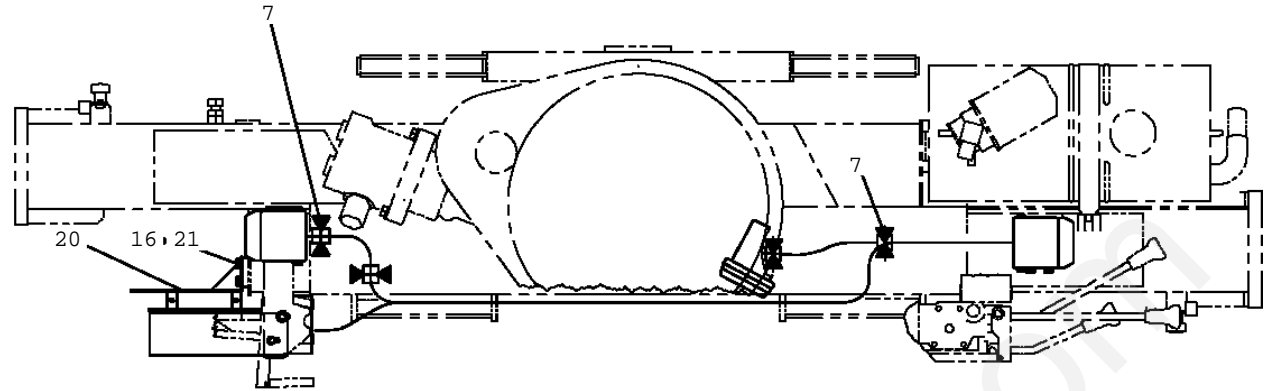
D

**TM-ZF360 41102210021A FRAME/SL,MANUAL**

Pos No.	Parts No	Parts Name	Qty	Unit	Technical Data	Serial No (Start)	Seri
1	82108901180	SWITCH	1		APS8-12GM-Z		
	82108901220	SWITCH	1		APS8-12GMC-Z		
2	91850310405	CLAMP (BLACK)	2				
3	91810130240	FASTENER	10				
4	31380291100	SUPPORT	1				
5	90186208016	BOLT, FLANGE	2		M8X16		
6	90303070801	WASHER, PLAIN	2		8		
7	31652160100	HARNESS	1		L=1400		
8	31476361200	HARNESS (WHITE)	1		L=2000		
9	82100000192	TERMINAL	1				
10	82100000182	INSULATOR	1				

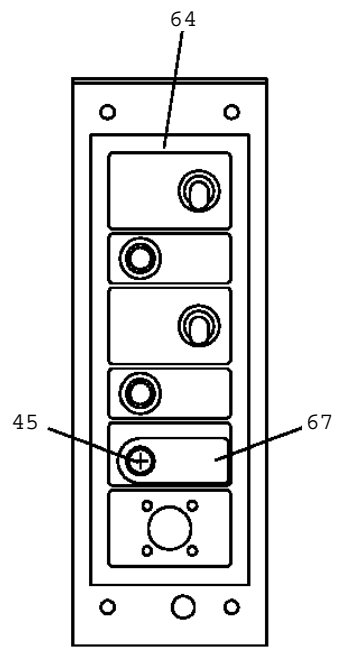
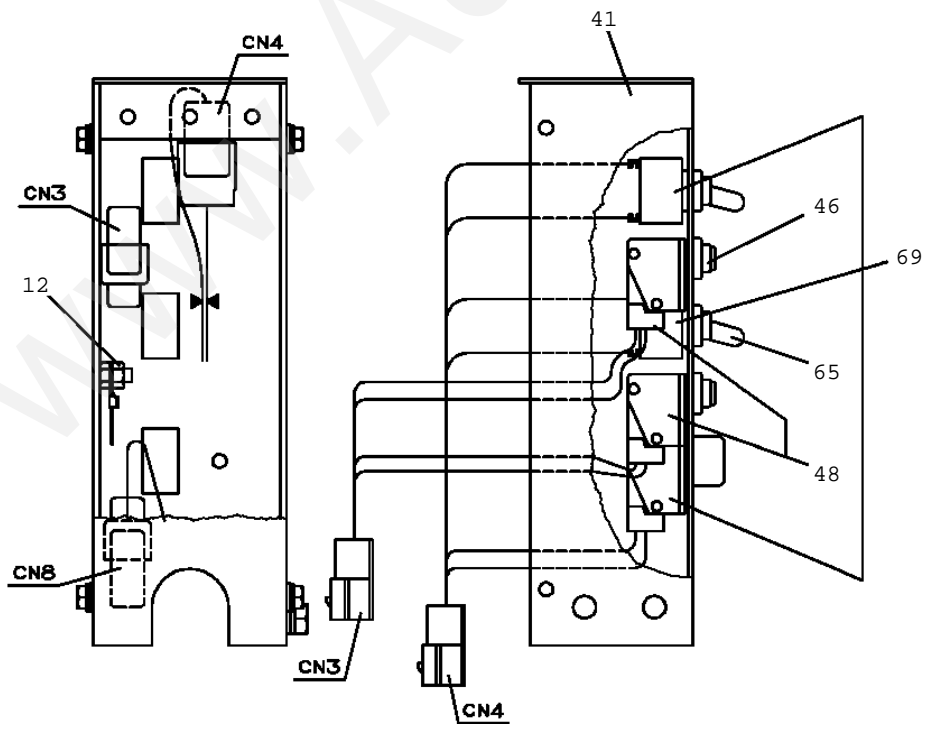
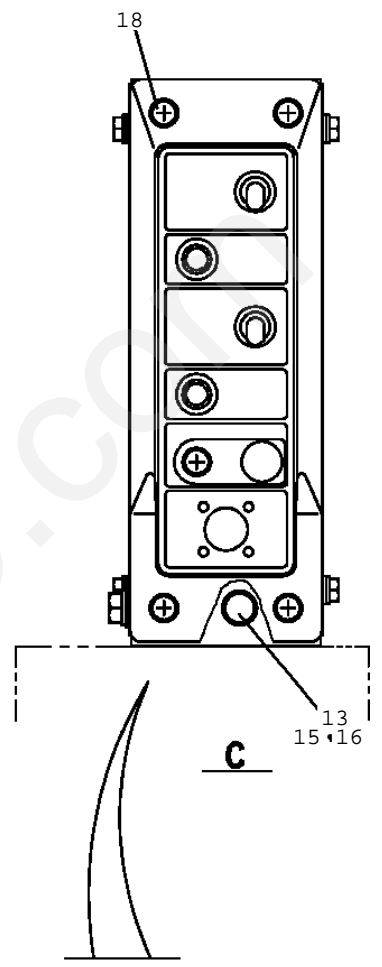
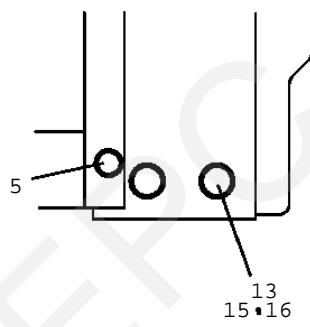
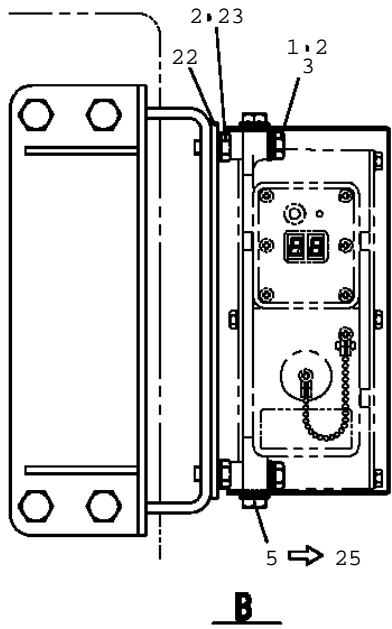
www.AutoEPC.com

TM-ZF360 41102210021A FRAME/SL, MANUAL  
 PN1013065-01 ELEC.ASSY (RADIO CONTROL)



**A**

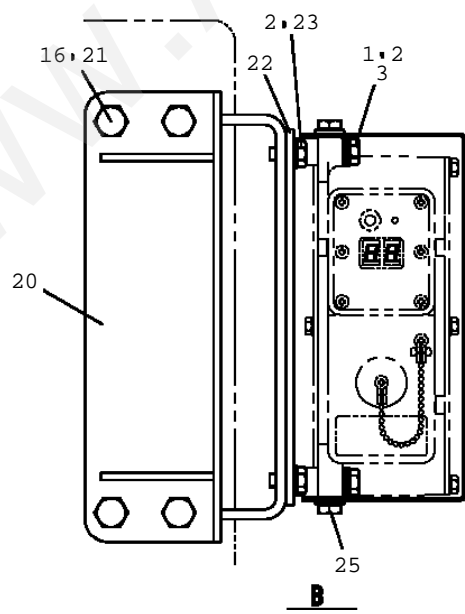
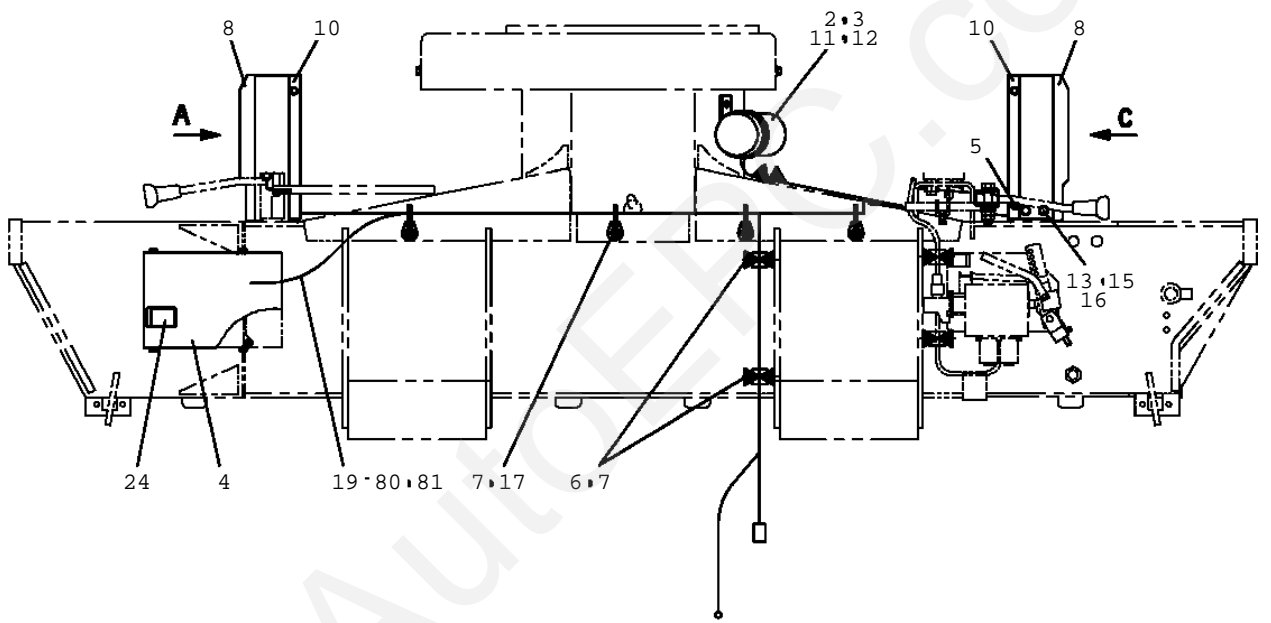
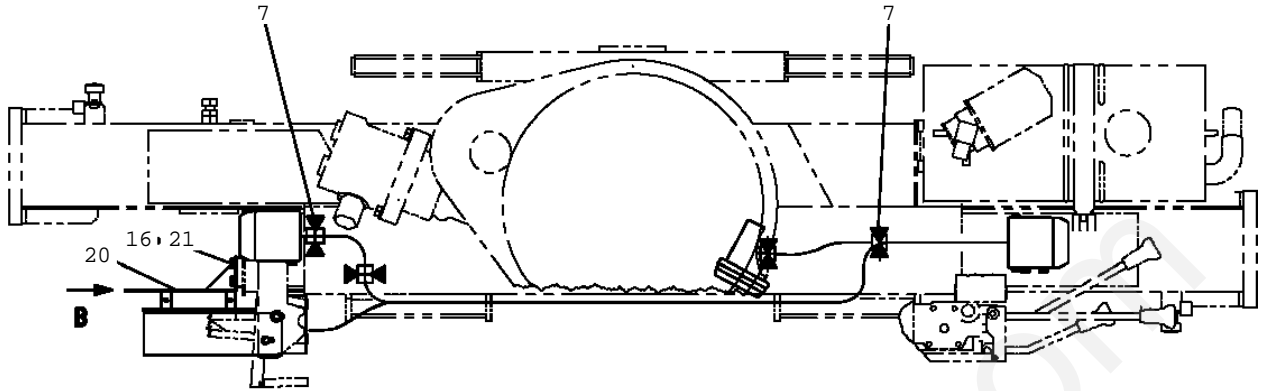
TM-ZF360 41102210021A FRAME/SL, MANUAL  
PN1013065-01 ELEC.ASSY (RADIO CONTROL)



**TM-ZF360 41102210021A FRAME/SL,MANUAL**

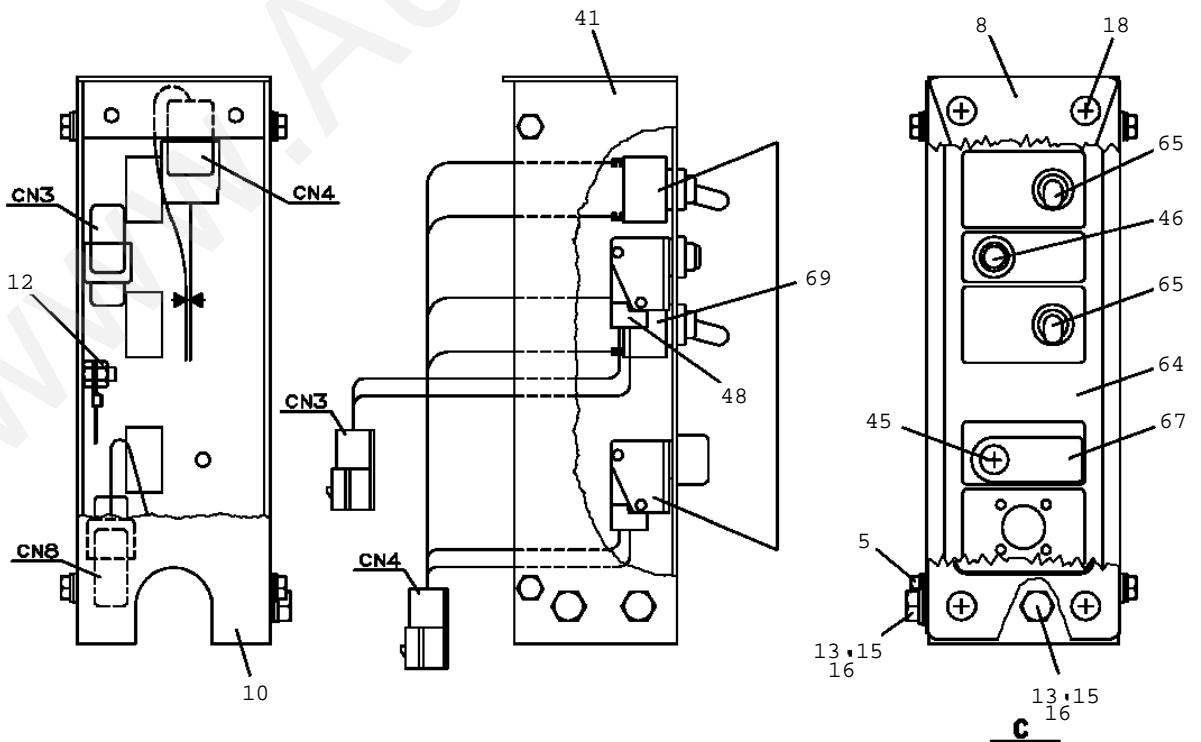
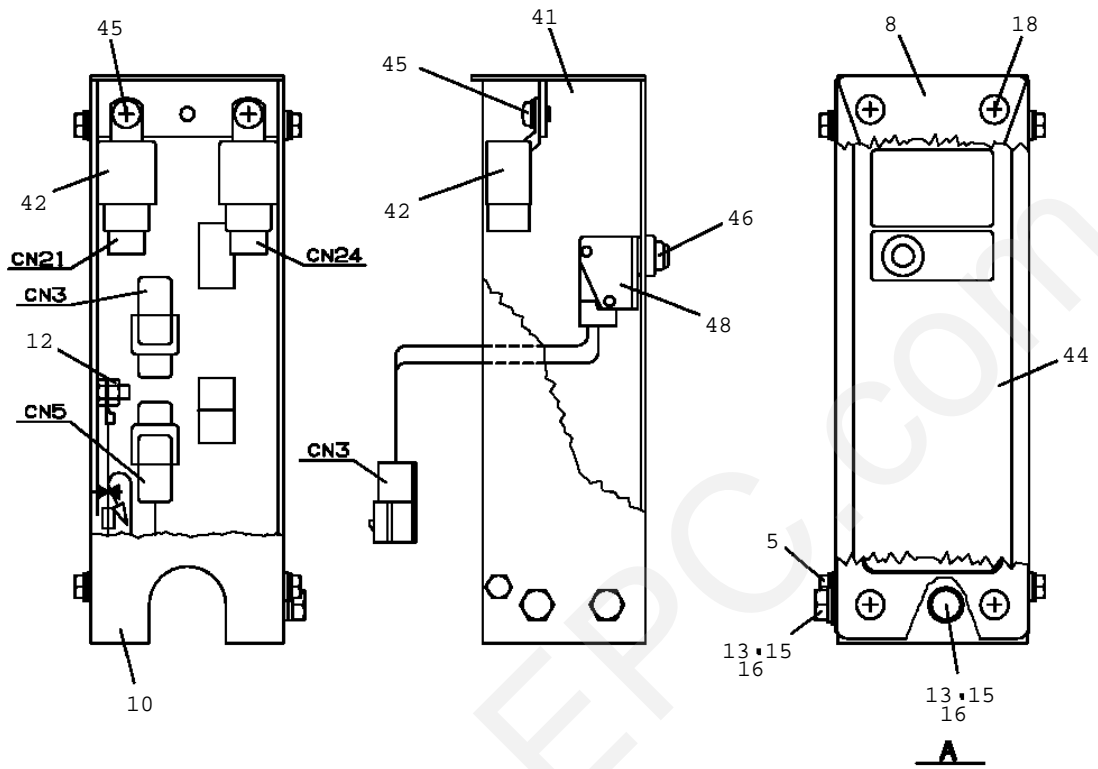
Pos No.	Parts No	Parts Name	Qty	Unit	Technical Data	Serial No
1	90101206030	BOLT	4		M6X30	
2	90302040601	WASHER,SPRING	9		6	
3	90303070601	WASHER,PLAIN	5		6	
4	31653221500	COVER (IP)	1			
	31653221300	COVER	1			
5	90186206010	BOLT,FLANGE	8		M6X10	
6	82401601002	CLAMP	8			
7	91810130240	FASTENER	14			
8	31651760500	COVER	2			
10	31651760400	COVER	2			
11	31651760700	ALARM ASSY	1			
12	90201200600	NUT	3		M6	
13	90303070801	WASHER,PLAIN	6		8	
15	90101208014	BOLT	6		M8X14	
16	90302040801	WASHER,SPRING	10		8	
17	91850100802	CLAMP (STUD BOLT MOUNT)	4			
18	80192486014	SCREW,MACHINE (WITH WASHER)	8		M6X14	
19	31473796100	HARNES	1			
20	31651930100	SUPPORT	1			
21	90101208012	BOLT	4		M8X12	
22	31473795200	SUPPORT	1			
23	90101206012	BOLT	4		M6X12	
24	31651760800	PLATE,CAUTION	1			
25	90186306010	BOLT,FLANGE	4		M6X10	
41	31651761100	PANEL	2			
42	82100002596	RELAY	3			
44	31651761300	PLATE,NAME	1			
45	80192486010	SCREW,MACHINE	4		M6X10	
46	82197600101	CAP (BLACK)	5			
48	31651761400	SWITCH ASSY (GREEN: PANASONIC)	2			
	31651761600	SWITCH ASSY (PLANTING: NACC)	2			
64	31651861100	PLATE,NAME	1			
65	82197518114	CAP (MATSUSHITA/BLACK)	2			
	82197518119	CAP (PLUS ONE MFG./BLACK)	2			
67	31651762400	COVER	1			
69	31651762500	SWITCH ASSY (GREEN: PANASONIC)	1			
80	82100000745	FUSE	1		10A,6.5X30	
81	82100002832	HOLDER,FUSE	1			

TM-ZF360 41102210021A FRAME/SL, MANUAL  
PN1013066-01 ELEC.ASSY (RADIO CONTROL)





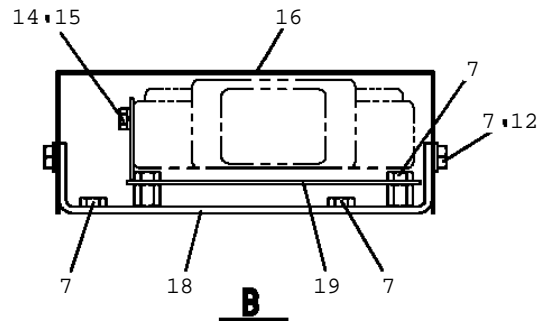
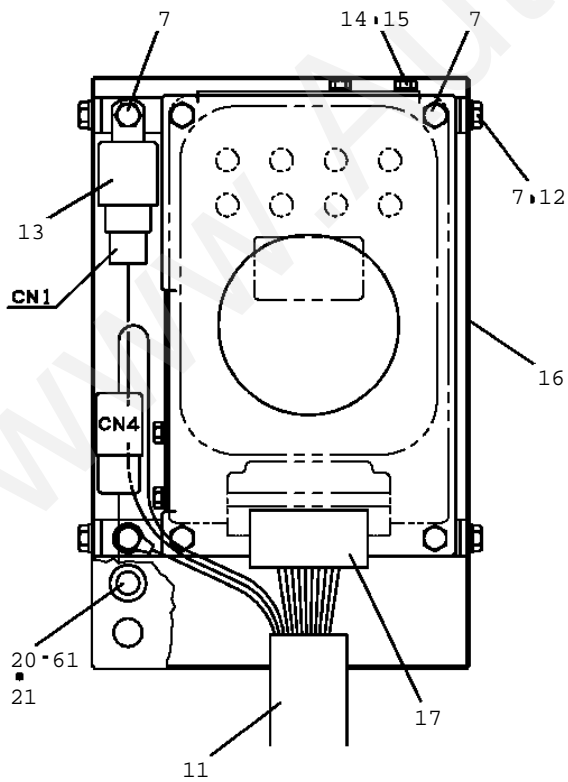
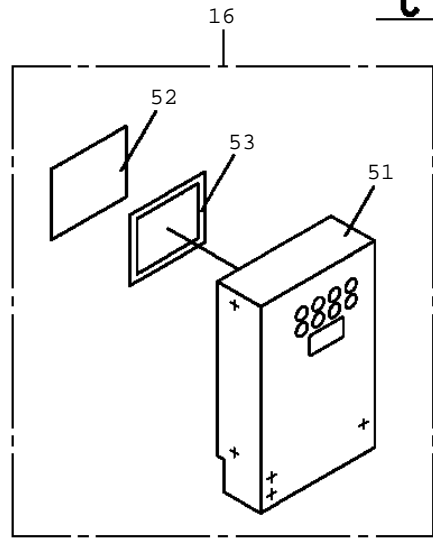
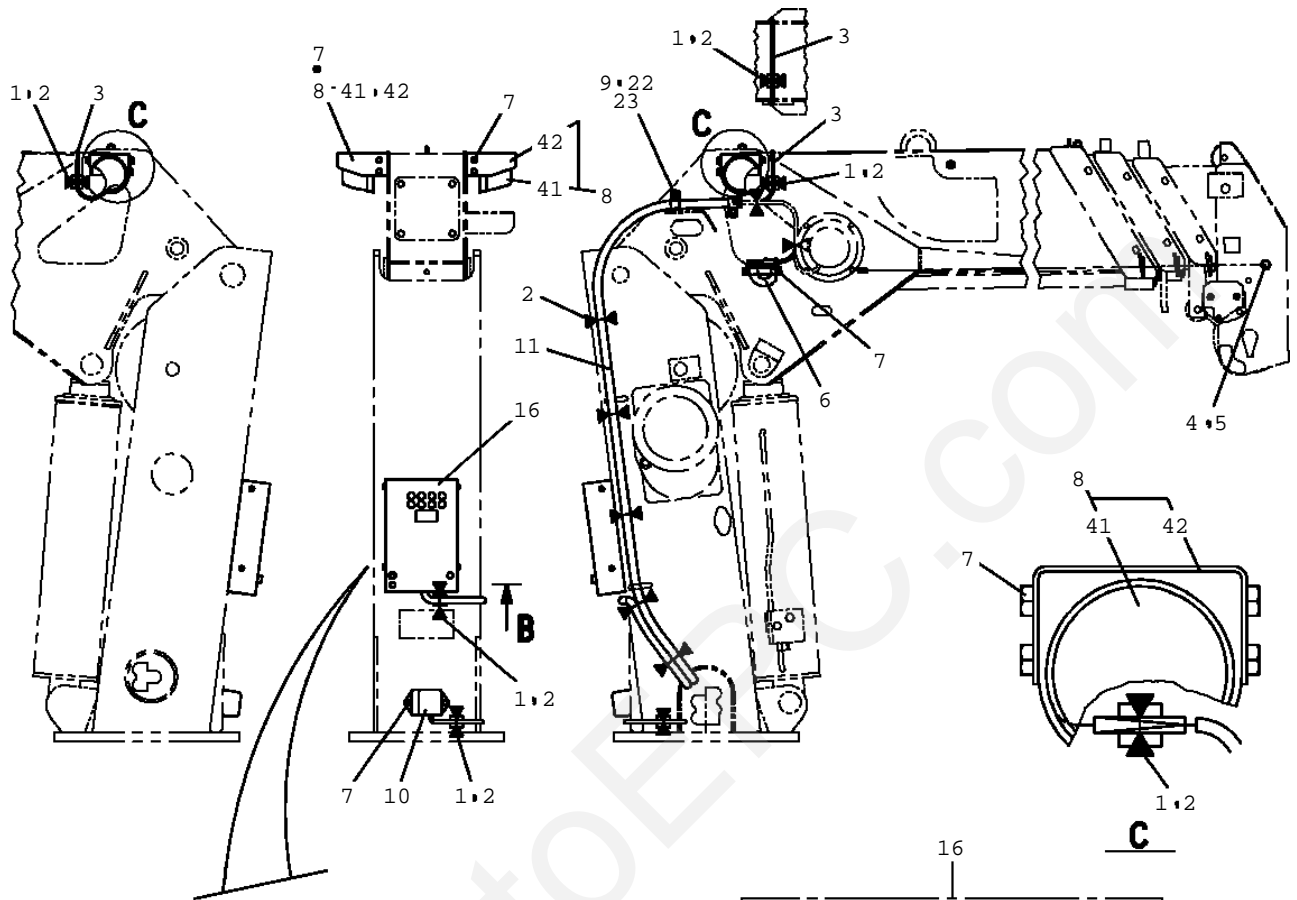
TM-ZF360 41102210021A FRAME/SL, MANUAL  
 PN1013066-01 ELEC.ASSY (RADIO CONTROL)



**TM-ZF360 41102210021A FRAME/SL,MANUAL**

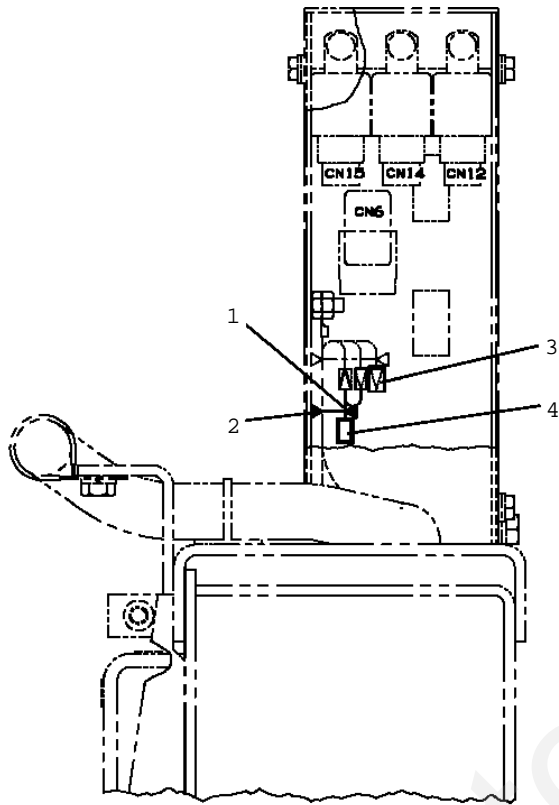
Pos No.	Parts No	Parts Name	Qty	Unit	Technical Data	Serial No
1	90101206030	BOLT	4		M6X30	
2	90302040601	WASHER,SPRING	9		6	
3	90303070601	WASHER,PLAIN	5		6	
5	90186206010	BOLT,FLANGE	8		M6X10	
6	82401601002	CLAMP	8			
7	91810130240	FASTENER	14			
8	31651760500	COVER	2			
10	31651760400	COVER	2			
11	31651760700	ALARM ASSY	1			
12	90201200600	NUT	3		M6	
13	90303070801	WASHER,PLAIN	6		8	
15	90101208014	BOLT	6		M8X14	
16	90302040801	WASHER,SPRING	10		8	
17	91850100802	CLAMP (STUD BOLT MOUNT)	4			
18	80192486014	SCREW,MACHINE (WITH WASHER)	8		M6X14	
19	31473796100	HARNES	1			
20	31651930100	SUPPORT	1			
21	90101208012	BOLT	4		M8X12	
22	31473795200	SUPPORT	1			
23	90101206012	BOLT	4		M6X12	
24	31651760800	PLATE,CAUTION	1			
25	90186306010	BOLT,FLANGE	4		M6X10	
41	31651761100	PANEL	2			
42	82100002596	RELAY	2			
44	31651691200	PLATE,NAME	1			
45	80192486010	SCREW,MACHINE	3		M6X10	
46	82197600101	CAP (BLACK)	3			
48	31651691300	SWITCH ASSY	2			
64	31651841100	PLATE,NAME	1			
65	82197518114	CAP (MATSUSHITA/BLACK)	2			
	82197518119	CAP (PLUS ONE MFG./BLACK)	2			
67	31651762400	COVER	1			
69	31651762500	SWITCH ASSY (GREEN: PANASONIC)	1			
80	82100000745	FUSE	1		10A, 6.5X30	
81	82100002832	HOLDER, FUSE	1			

TM-ZF360 41102210021A FRAME/SL, MANUAL  
 PN1014041-00 ELEC.ASSY

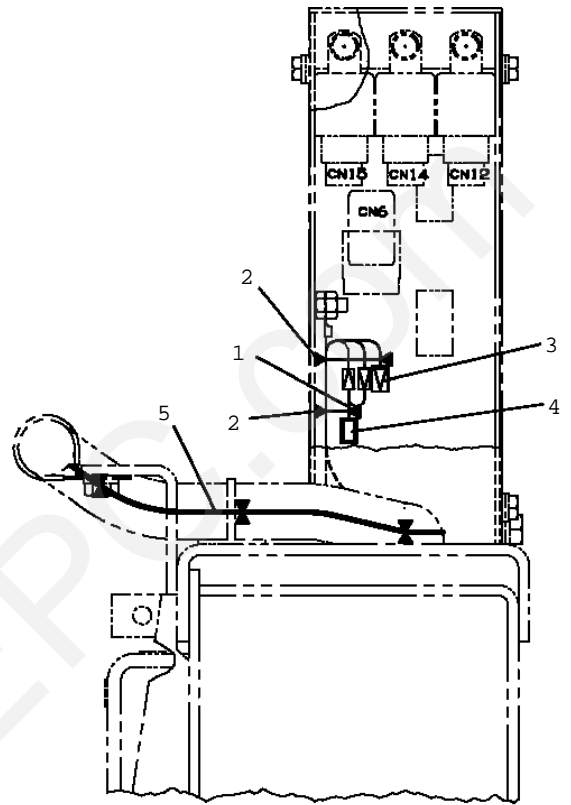


**TM-ZF360 41102210021A FRAME/SL,MANUAL**

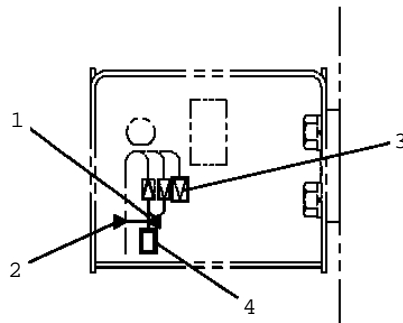
Pos No.	Parts No	Parts Name	Qty	Unit	Technical Data	Serial No
1	91850310405	CLAMP (BLACK)	8			
2	91810130250	FASTENER	20			
3	31360201101	HARNESS	1			
4	31360191200	SUPPORT	1			
5	90203201200	NUT	1		M12	
6	36140470000	DETECTOR,BOOM ANGLE	1			
7	90186206010	BOLT,FLANGE	24		M6X10	
8	31360741300	LAMP ASSY	2			
9	82100002014	CLAMP	2		WR20	
10	31652030200	BUZZER ASSY	1			
11	31360191010	COVER	1			
12	90303070601	WASHER,PLAIN	4		6	
13	82100002596	RELAY	1			
14	90101205010	BOLT	4		M5X10	
15	90302040501	WASHER,SPRING	4		5	
16	31361112100	COVER ASSY	1			
17	31361661100	HARNESS	1			
18	31360741600	SUPPORT	2			
19	31360741700	SUPPORT	1			
20	31653303200	SWITCH ASSY (NIHON AUTOMATIC)	1			
21	82197600101	CAP (BLACK)	1			
22	90201200600	NUT	2		M6	
23	90302040601	WASHER,SPRING	2		6	
41	82199444326	LAMP (YELLOW) <24V 12W)	2			
42	31360741310	SUPPORT	2			
51	31361112110	COVER	1			
52	31361112120	PLATE	1			
53	31361112130	SEAL	1			
61	82101940130	SWITCH,PUSH (3PJW106F-021-CC)	1			



ZF230, ZF230W以外の場合



予備端子 (ギボシオス) のない場合



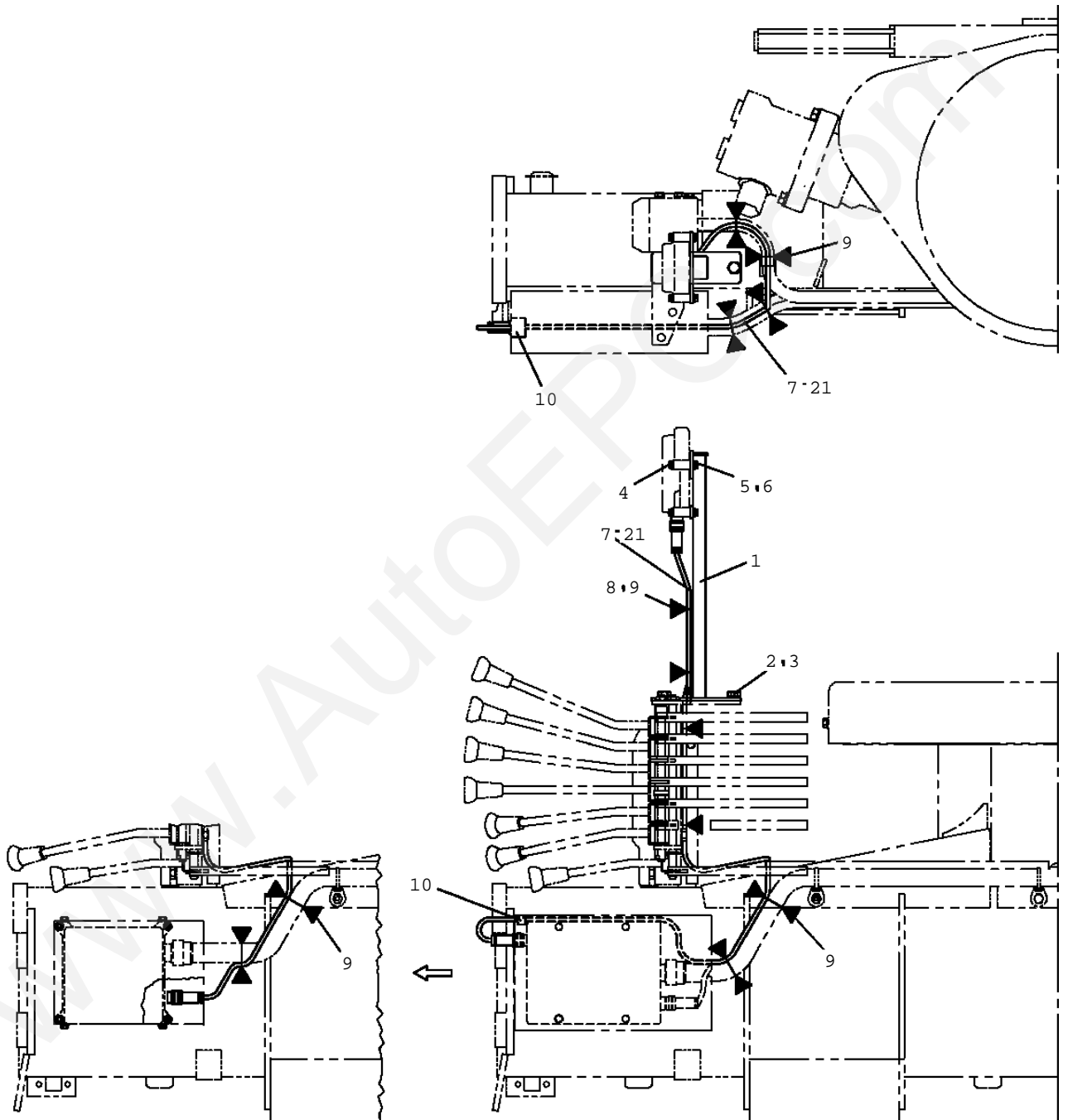
ZF230, ZF230Wの場合

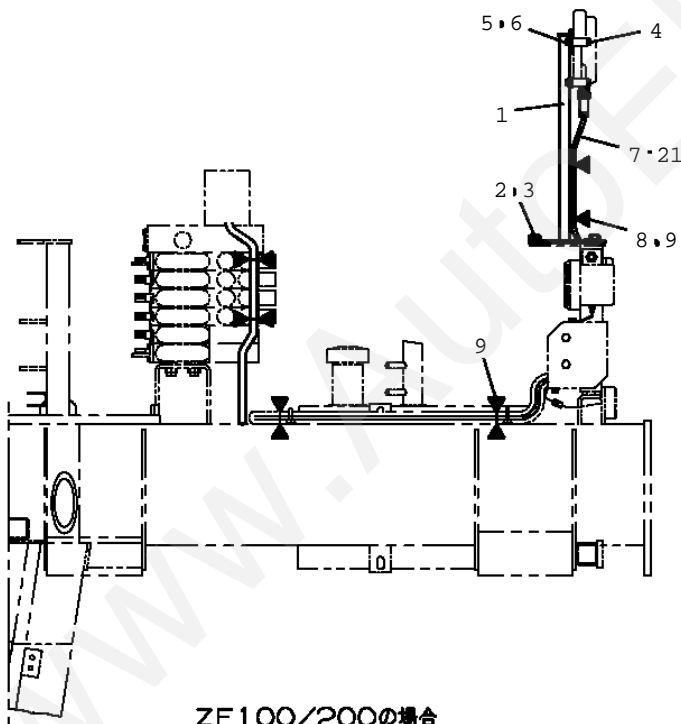
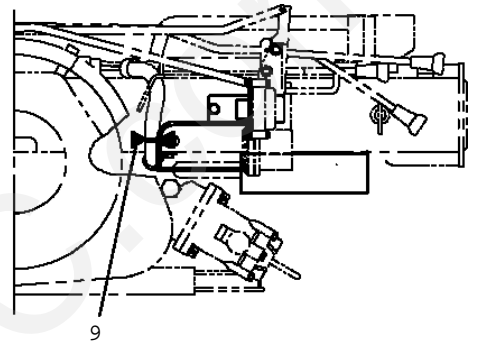
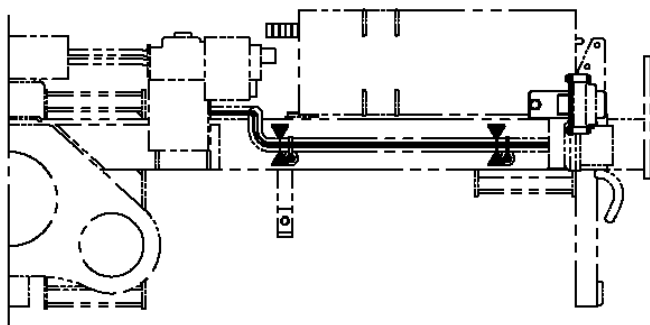
**TM-ZF360 41102210021A FRAME/SL, MANUAL**

Pos No.	Parts No	Parts Name	Qty	Unit	Technical Data	Serial No (Start)	Serial No
1	31361312100	HARNESS	1				
2	91810130240	FASTENER	7				
3	82100002854	CAP	1				
4	82100002855	CAP	1				
5	31361663100	HARNESS	1				

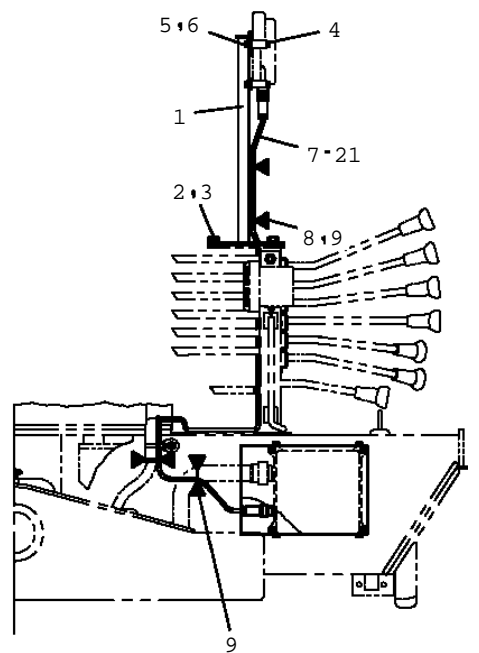
www.AutoEPC.com

TM-ZF360 41102210021A FRAME/SL, MANUAL  
PN1014043-01 ELEC.ASSY (ANTENNA)





ZF100/200の場合



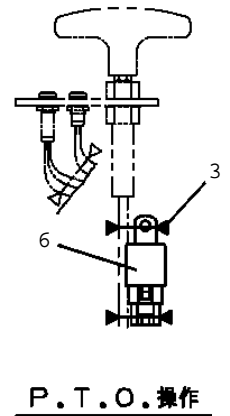
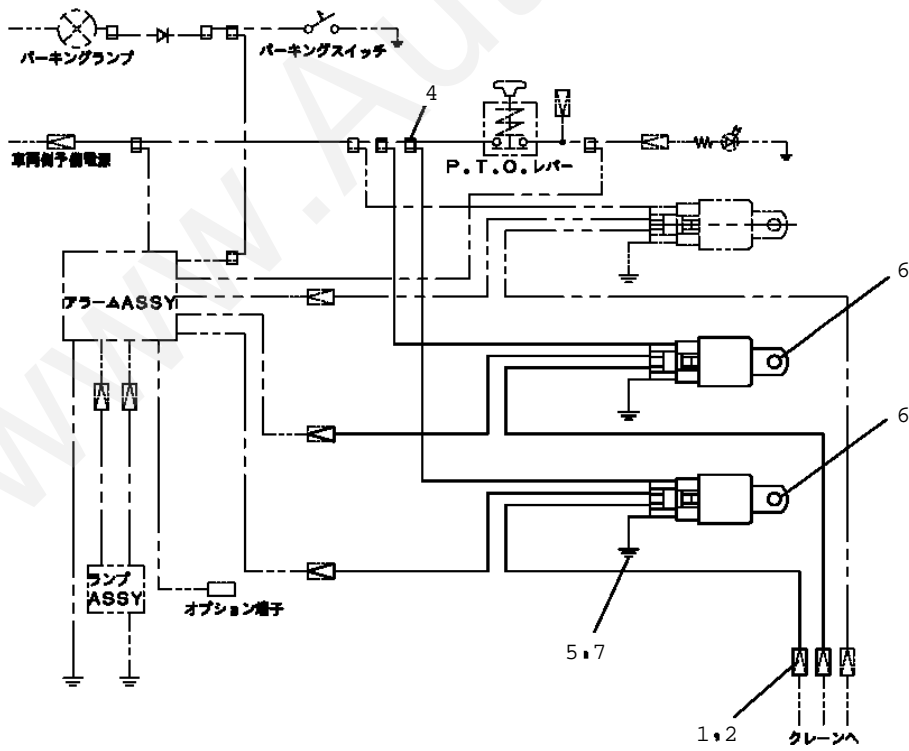
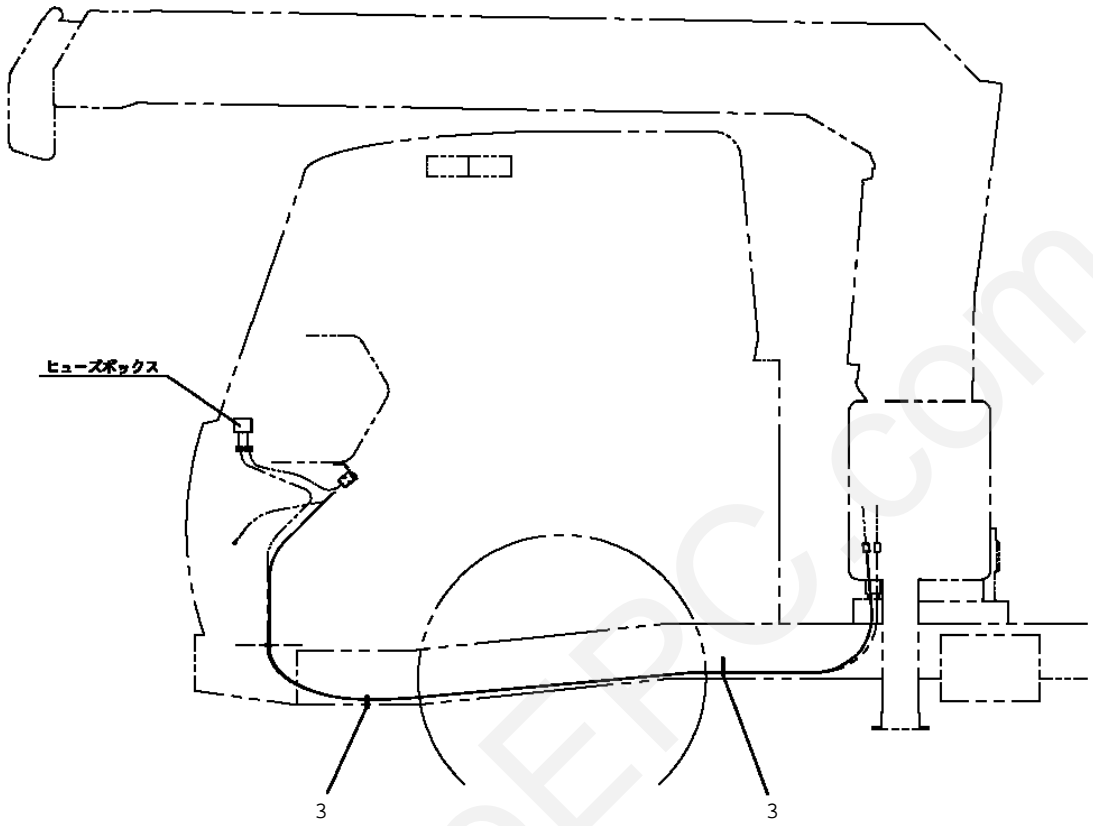
ZF230/230Wの場合



**TM-ZF360 41102210021A FRAME/SL,MANUAL**

Pos No.	Parts No	Parts Name	Qty	Unit	Technical Data	Serial No (Start)	Serial
1	31653110100	SUPPORT	1				
2	90101210014	BOLT	2		M10X14		
3	90302041001	WASHER, SPRING	2		10		
4	90280200600	NUT, FLANGE	4		M6		
5	90101206045	BOLT	4		M6X45		
6	90303070601	WASHER, PLAIN	4		6		
7	31653110200	CABLE ASSY	1		L=2000		
8	91850310305	CLAMP	4				
9	91810130240	FASTENER	9				
21	82100002385	CONNECTOR	2				

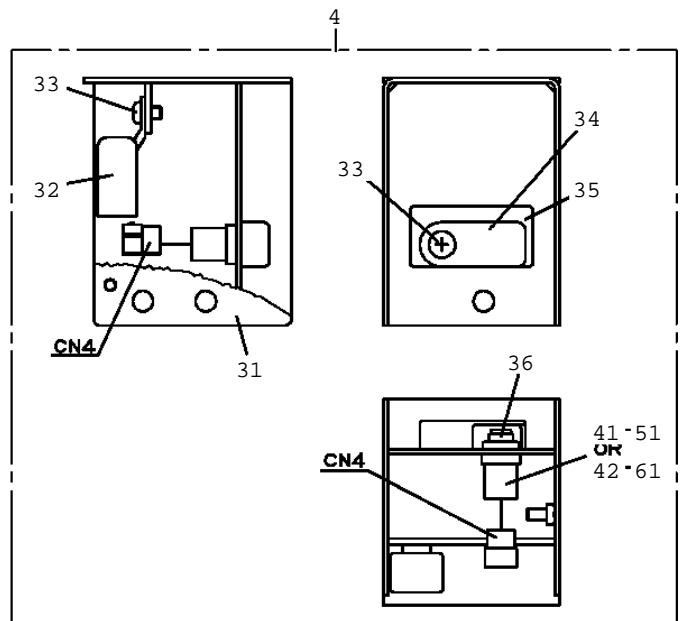
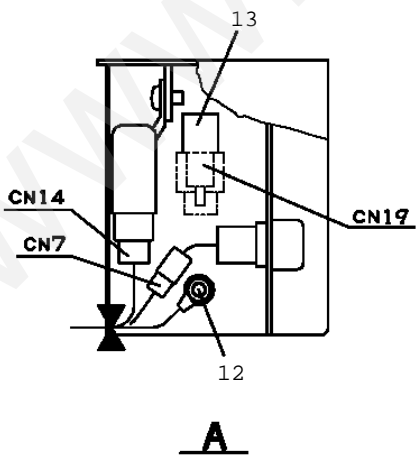
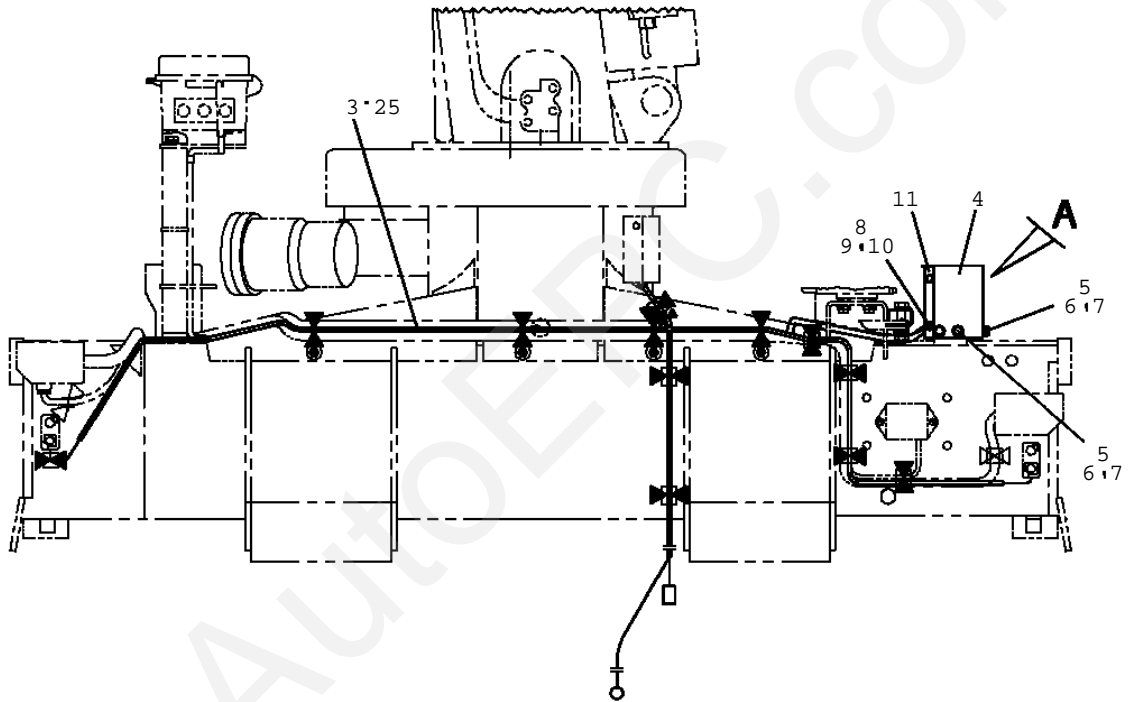
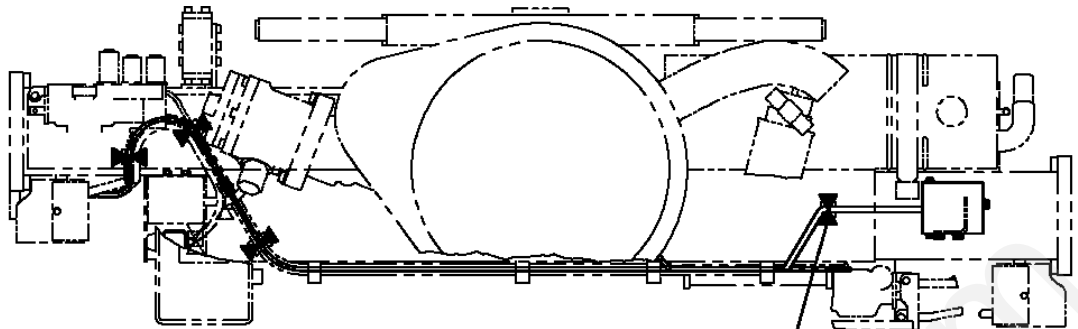
www.AutoEPC.com



**TM-ZF360 41102210021A FRAME/SL, MANUAL**

Pos No.	Parts No	Parts Name	Qty	Unit	Technical Data	Serial No (Start)	Serial No
1	82100000191	TERMINAL	2				
2	82100000183	INSULATOR	2				
3	91810130240	FASTENER	6				
4	82115001002	CONNECTOR	2				
5	82100001400	TERMINAL	2				
6	31476362600	RELAY ASSY	2				
7	82100001220	INSULATOR	2				
8	82115001005	CONNECTOR	2				

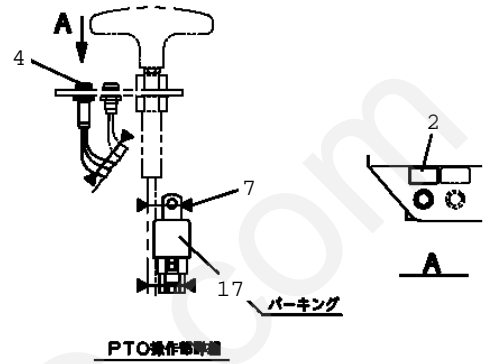
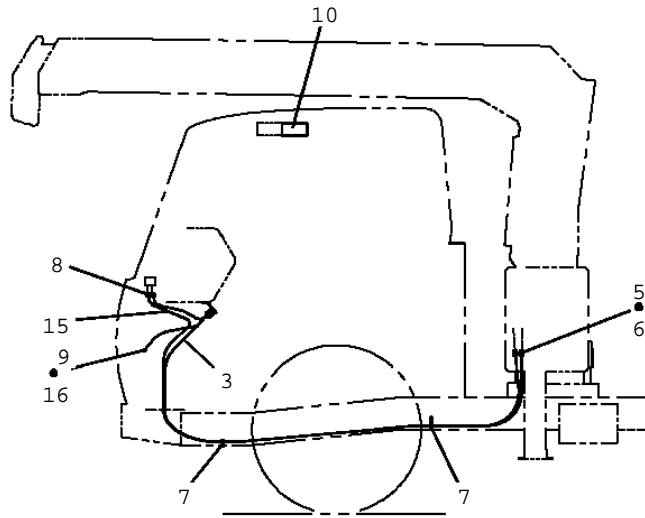
www.AutoEPC.com



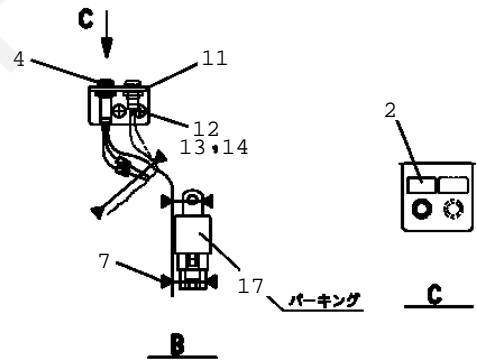
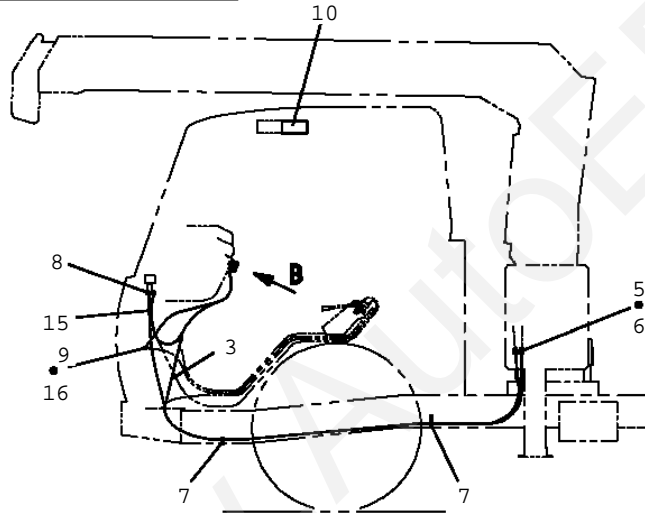
**TM-ZF360 41102210021A FRAME/SL,MANUAL**

Pos No.	Parts No	Parts Name	Qty	Unit	Technical Data	Serial No
1	82401601002	CLAMP	1			
2	91810130240	FASTENER	20			
3	31361721100	HARNESS	1			
4	31361761200	SWITCH ASSY	1			
5	90101208014	BOLT	3		M8X14	
6	90302040801	WASHER, SPRING	3		8	
7	90303070801	WASHER, PLAIN	3		8	
8	90101206010	BOLT	4		M6X1.0	
9	90302040601	WASHER, SPRING	4		6	
10	90303070601	WASHER, PLAIN	4		6	
11	31361761500	COVER	1			
12	90201200600	NUT	1		M6	
13	31474661600	PLUG (2-POES, MALE)	1			
25	82100000638	DIODE	1			
31	31361761300	PANEL	1			
32	82100002596	RELAY	1			
33	80192486010	SCREW, MACHINE	2		M6X10	
34	31651762400	COVER	1			
35	31361761400	PLATE, NAME	1			
36	82197600101	CAP (BLACK)	1			
41	31653303200	SWITCH ASSY (NIHON AUTOMATIC)	1			
42	31653303300	SWITCH ASSY (MATSUSHITA)	1			
51	82101940130	SWITCH, PUSH (3PJW106F-021-CC)	1			
61	82101429241	SWITCH, PUSH (GREEN)	1			

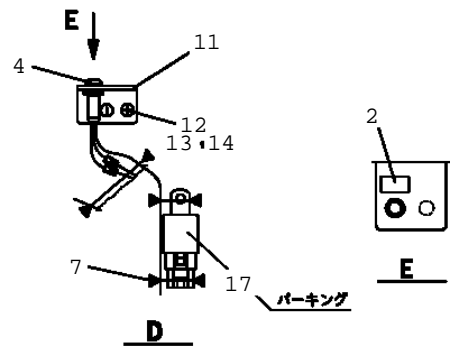
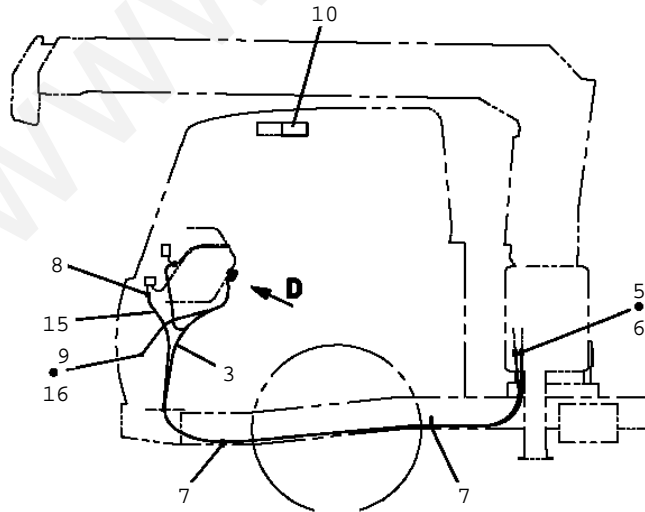
**PTOレバーがハンドル横にある場合**

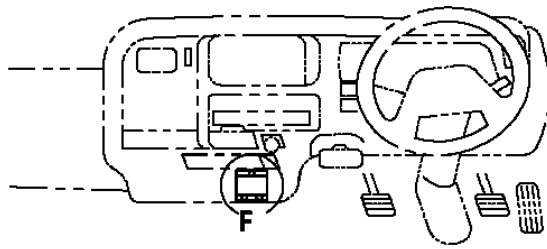


**PTOレバーが駆動機にある場合**

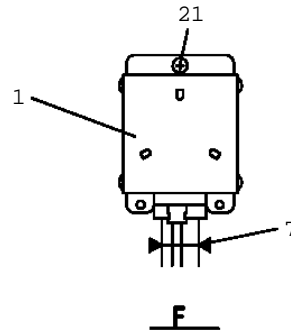


**純正PTO付巻の場合**

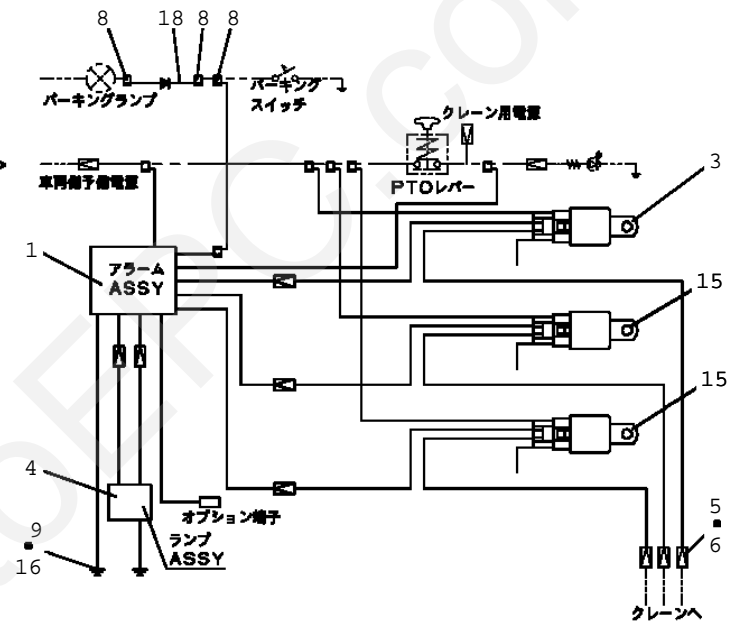
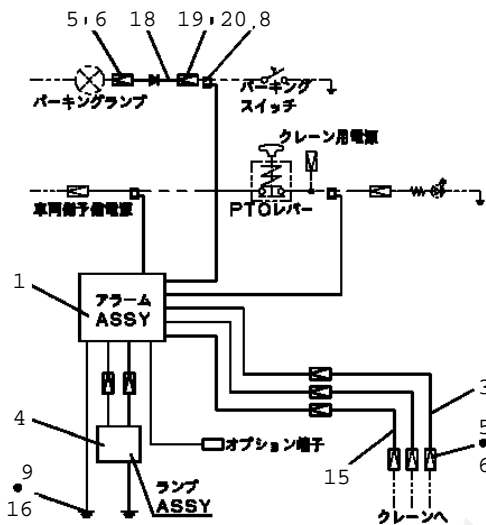




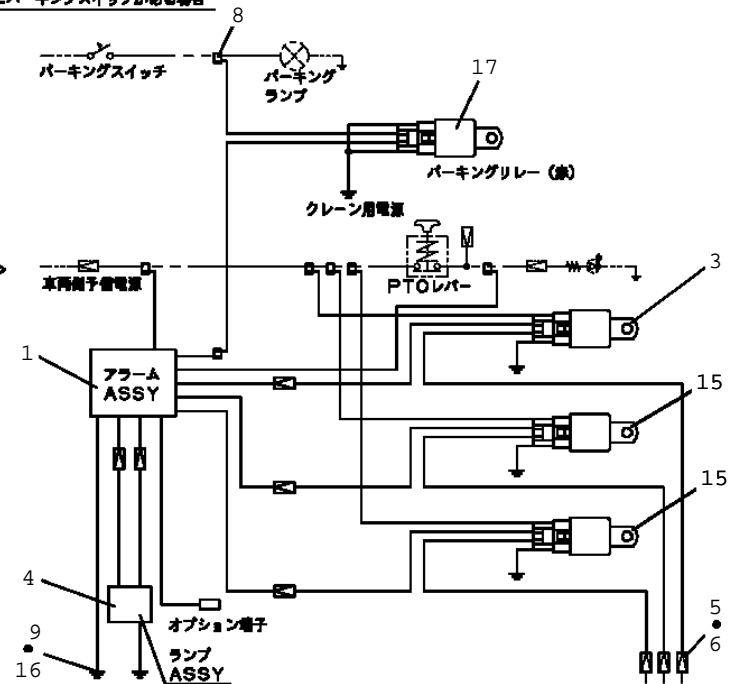
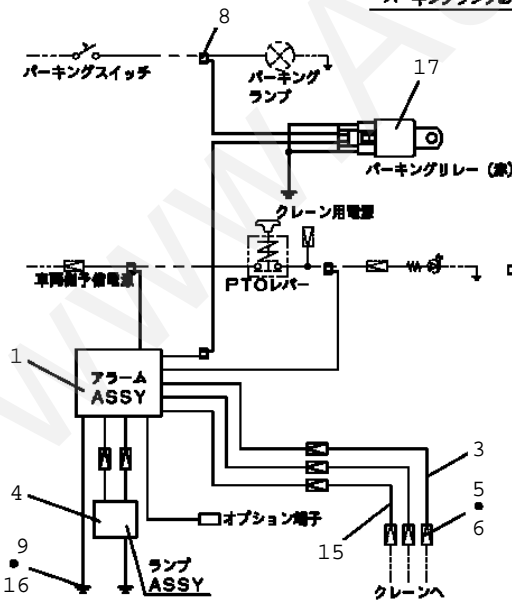
アラームAASSY取付



F



パーキングランプの下側にパーキングスイッチがある場合



パーキングランプの上側にパーキングスイッチがある場合

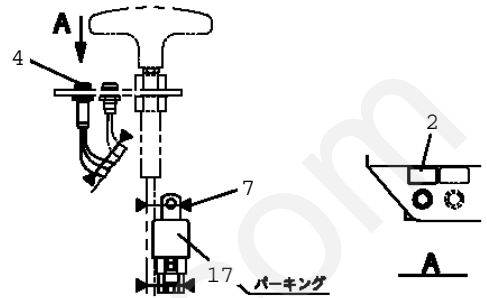
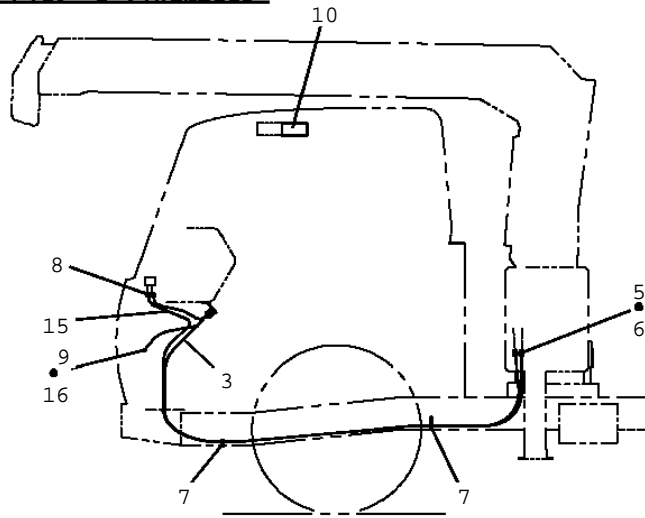
**TM-ZF360 41102210021A FRAME/SL,MANUAL**

Pos No.	Parts No	Parts Name	Qty	Unit	Technical Data	Serial No (Start)	Serial
1	31476362103	ALARM ASSY	1				
2	31475352100	PLATE,NAME	1				
3	31476362500	RELAY ASSY	1				
4	31380174000	LAMP ASSY	1				
5	82100000191	TERMINAL	4				
6	82100000183	INSULATOR	4				
7	91810130240	FASTENER	10				
8	82115001002	CONNECTOR	13				
9	82100001400	TERMINAL	6				
10	31476362700	PLATE, CAUTION	1				
11	31380292600	SUPPORT	1				
12	80172305020	SCREW, MACHINE	2		M5X20		
13	90302040501	WASHER, SPRING	2		5		
14	90303070501	WASHER, PLAIN	2		5		
15	31476362600	RELAY ASSY	2				
16	82100001220	INSULATOR	6				
17	31476362300	RELAY ASSY	1				
18	31475982400	DIODE ASSY	1				
19	82100000192	TERMINAL	1				
20	82100000182	INSULATOR	1				
21	90928040101	SCREW, TAPPING	3		M4X10		
23	82115001005	CONNECTOR	9				

www.AutoEPC.com

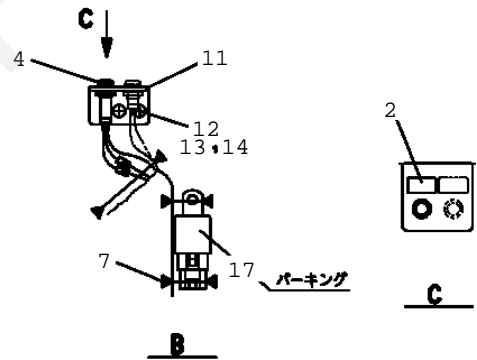
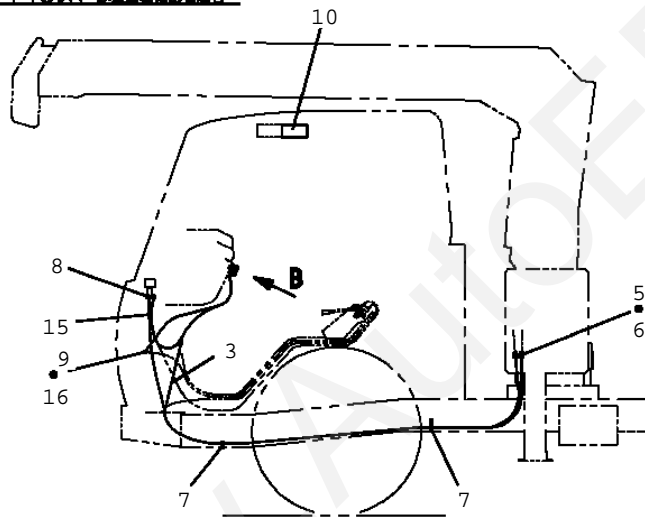


PTOレバーがハンド位置にある場合

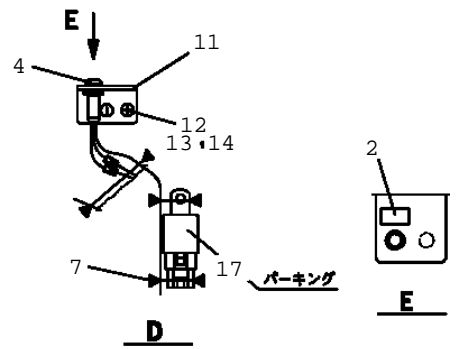
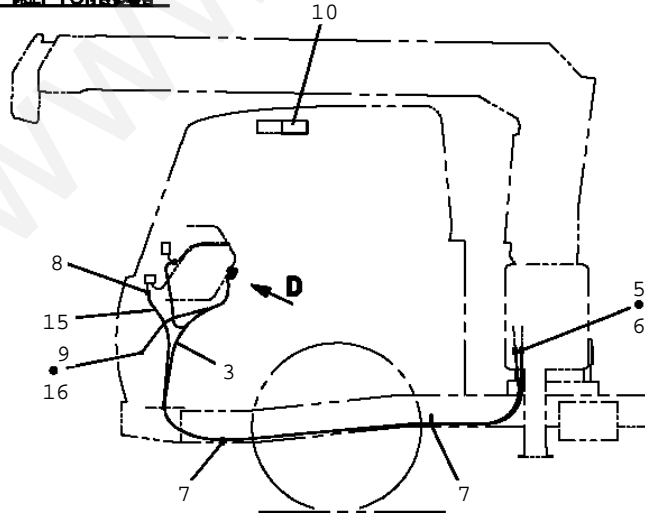


PTO操作状態

PTOレバーが車体前にある場合



PTOレバーが車体後にある場合



**TM-ZF360 41102210021A FRAME/SL,MANUAL**

Pos No.	Parts No	Parts Name	Qty	Unit	Technical Data	Serial No (Start)	Serial
1	31476362103	ALARM ASSY	1				
2	31475352100	PLATE,NAME	1				
3	31476362500	RELAY ASSY	1				
4	31380174000	LAMP ASSY	1				
5	82100000191	TERMINAL	2				
6	82100000183	INSULATOR	2				
7	91810130240	FASTENER	10				
8	82115001002	CONNECTOR	11				
9	82100001400	TERMINAL	6				
10	31475982100	PLATE,CAUTION	1				
	31476362700	PLATE,CAUTION	1			EP0876	EP0875
11	31380292600	SUPPORT	1				
12	80172305020	SCREW,MACHINE	2		M5X20		
13	90302040501	WASHER,SPRING	2		5		
14	90303070501	WASHER,PLAIN	2		5		
15	31477472100	HARNESS (RED)	2		L=1000		
16	82100001220	INSULATOR	6				
17	31476362300	RELAY ASSY	1				
18	31475982400	DIODE ASSY	1				
19	82100000192	TERMINAL	1				
20	82100000182	INSULATOR	1				
21	90928040101	SCREW,TAPPING	3		M4X10		
23	82115001005	CONNECTOR	7				

www.AutoEPC.com

TM-ZF360 41102210021A FRAME/SL,MANUAL  
PN1080213-00 LAMP (MOUNT,BOOM/24V-45W)

1	ハイゼンASSY ELEC. ASSY (LOWER)
2	ハイゼンASSY ELEC. ASSY (UPPER)

**TM-ZF360 41102210021A FRAME/SL,MANUAL**

Pos No.	Parts No	Parts Name	Qty	Unit	Technical Data	Serial No
1	(***** )	ELEC.ASSY (LOWER,LAMP)	1			
2	(***** )	ELEC.ASSY (UPPER,LAMP/BOOM)	1			

www.AutoEPC.com

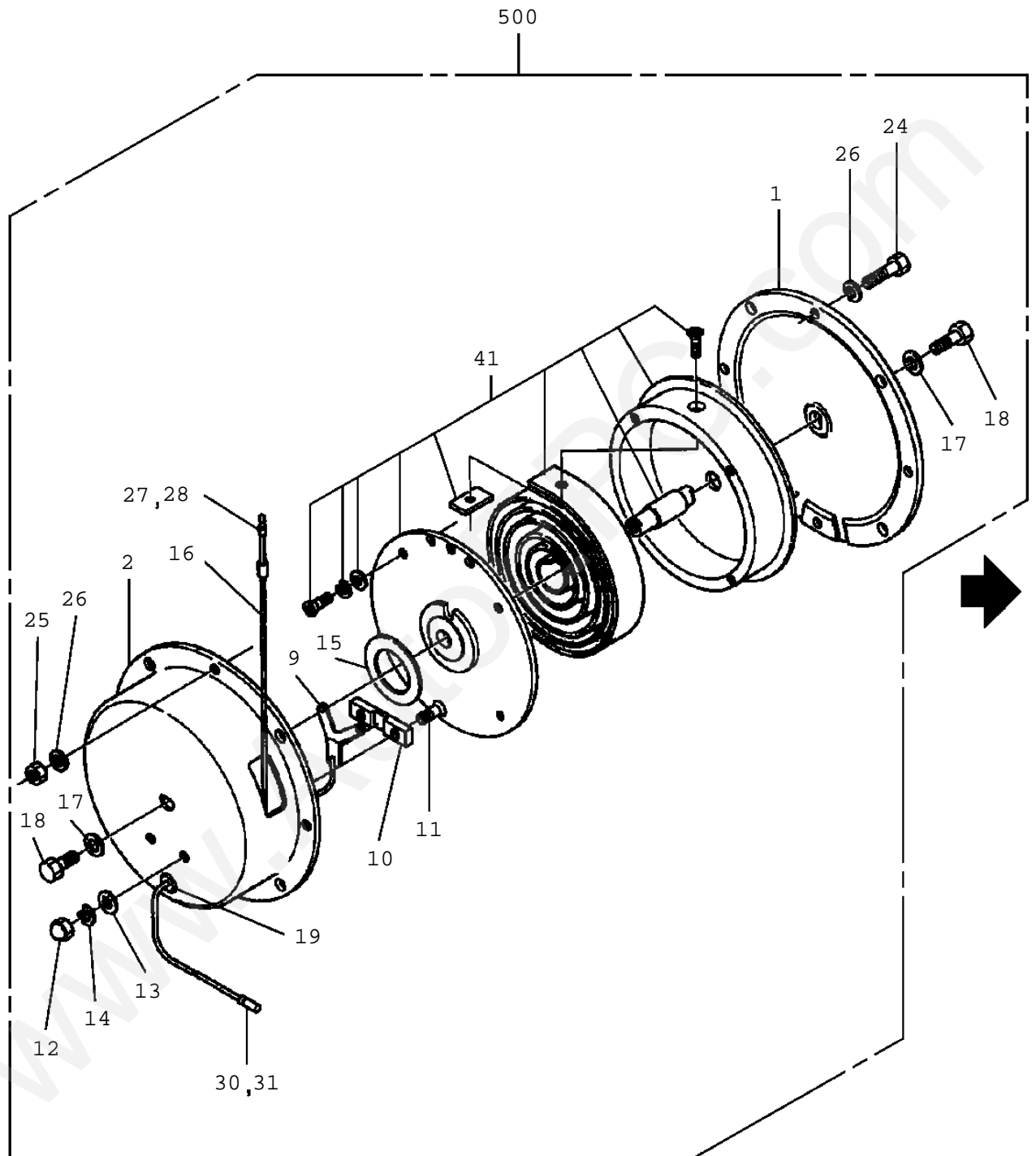
TM-ZF360 41102210021A FRAME/SL,MANUAL  
PN1080214-00 LAMP (MOUNT,POST/24V-60W)

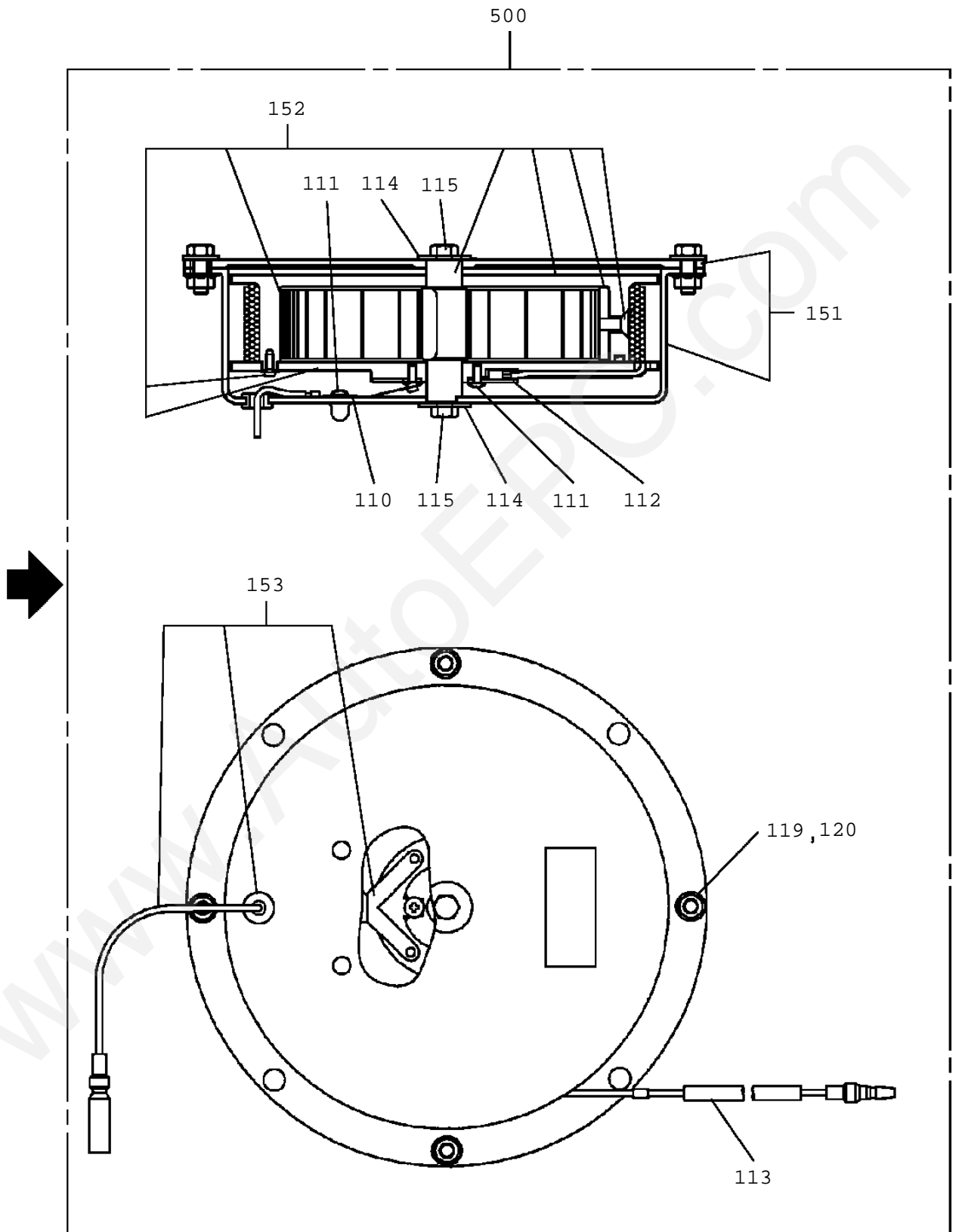
1	ハイゼンASSY ELEC. ASSY (LOWER)
2	ハイゼンASSY ELEC. ASSY (UPPER)

**TM-ZF360 41102210021A FRAME/SL,MANUAL**

Pos No.	Parts No	Parts Name	Qty	Unit	Technical Data	Serial No
1	(***** )	ELEC.ASSY (LOWER,LAMP)	1			
2	(***** )	ELEC.ASSY (UPPER,LAMP/POST)	1			

www.AutoEPC.com



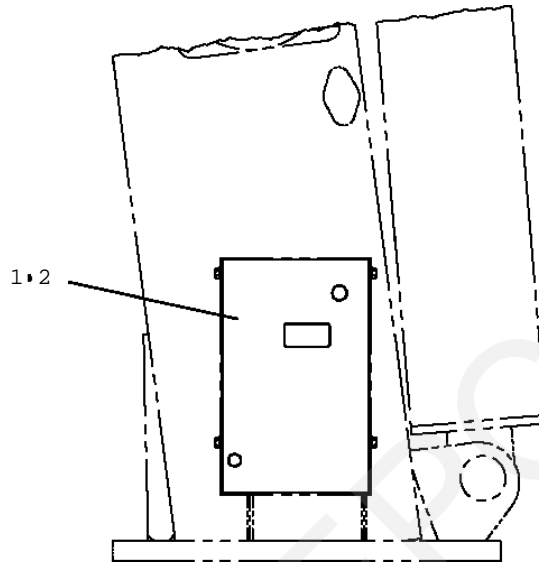




**TM-ZF360 41102210021A FRAME/SL,MANUAL**

Pos No.	Parts No	Parts Name	Qty	Unit	Technical Data	Serial No (Start)	Serial
1	31370255010	PLATE	1				
2	31370255020	CASE	1				
9	31370255080	BRUSH	1				
10	31370255090	PLATE	1				
11	80175104012	SCREW, MACHINE	2		M4X12		
12	90240200400	NUT, CAP	2		M4		
13	90303100401	WASHER, PLAIN	2		4		
14	90302040401	WASHER, SPRING	2		4		
15	31370255100	RING, SLIP	1				
16	82100000080	CORD (1-LINE)	14	M			
17	31370255110	WASHER	2				
18	90102205008	BOLT	2		M5X8		
19	31370255120	GROMMET	1				
24	90102205012	BOLT	4		M5X12		
25	90201200500	NUT	4		M5		
26	90303100501	WASHER, PLAIN	8		5		
27	82100000192	TERMINAL	1				
28	82100000182	INSULATOR	1				
30	82100000191	TERMINAL	1				
31	82100000183	INSULATOR	1				
41	36160265010	SPRING ASSY	1				
500	36160670000	REEL, CORD	1				

www.AutoEPC.com



1

高さ制限

**AUTOMATIC WORKING AREA LIMITER**

---

高さ制限値  m

---

**⚠ 警告**

- 設置場所をよく確認し、取組作業をしてください。
- フォークが吊り下げた荷物を吊り下ろすとき、必ず「降ろす」ボタンを押してください。
- 荷物を吊り下ろすときは、必ず「降ろす」ボタンを押してください。
- フォークが吊り下げた荷物を吊り下ろすときは、必ず「降ろす」ボタンを押してください。
- フォークが吊り下げた荷物を吊り下ろすときは、必ず「降ろす」ボタンを押してください。

**AWL 作業開始前点検**

1. フォークが吊り下げた荷物を吊り下ろすとき、必ず「降ろす」ボタンを押して、フォークが吊り下げた荷物を吊り下ろす前に、必ず「降ろす」ボタンを押してください。
2. フォークが吊り下げた荷物を吊り下ろすとき、必ず「降ろす」ボタンを押して、フォークが吊り下げた荷物を吊り下ろす前に、必ず「降ろす」ボタンを押してください。
3. フォークが吊り下げた荷物を吊り下ろすとき、必ず「降ろす」ボタンを押して、フォークが吊り下げた荷物を吊り下ろす前に、必ず「降ろす」ボタンを押してください。
4. フォークが吊り下げた荷物を吊り下ろすとき、必ず「降ろす」ボタンを押して、フォークが吊り下げた荷物を吊り下ろす前に、必ず「降ろす」ボタンを押してください。

5. 確認完了。

---

確認完了  確認完了

**AWL**

2

高さ制限

**AUTOMATIC WORKING AREA LIMITER**

---

高さ制限値  m

---

**⚠ 警告**

- 設置場所をよく確認し、取組作業をしてください。
- フォークが吊り下げた荷物を吊り下ろすとき、必ず「降ろす」ボタンを押してください。
- 荷物を吊り下ろすときは、必ず「降ろす」ボタンを押してください。
- フォークが吊り下げた荷物を吊り下ろすときは、必ず「降ろす」ボタンを押してください。
- フォークが吊り下げた荷物を吊り下ろすときは、必ず「降ろす」ボタンを押してください。

**AWL 作業開始前点検**

1. フォークが吊り下げた荷物を吊り下ろすとき、必ず「降ろす」ボタンを押して、フォークが吊り下げた荷物を吊り下ろす前に、必ず「降ろす」ボタンを押してください。
2. フォークが吊り下げた荷物を吊り下ろすとき、必ず「降ろす」ボタンを押して、フォークが吊り下げた荷物を吊り下ろす前に、必ず「降ろす」ボタンを押してください。
3. フォークが吊り下げた荷物を吊り下ろすとき、必ず「降ろす」ボタンを押して、フォークが吊り下げた荷物を吊り下ろす前に、必ず「降ろす」ボタンを押してください。
4. フォークが吊り下げた荷物を吊り下ろすとき、必ず「降ろす」ボタンを押して、フォークが吊り下げた荷物を吊り下ろす前に、必ず「降ろす」ボタンを押してください。

5. 確認完了。

---

確認完了  確認完了

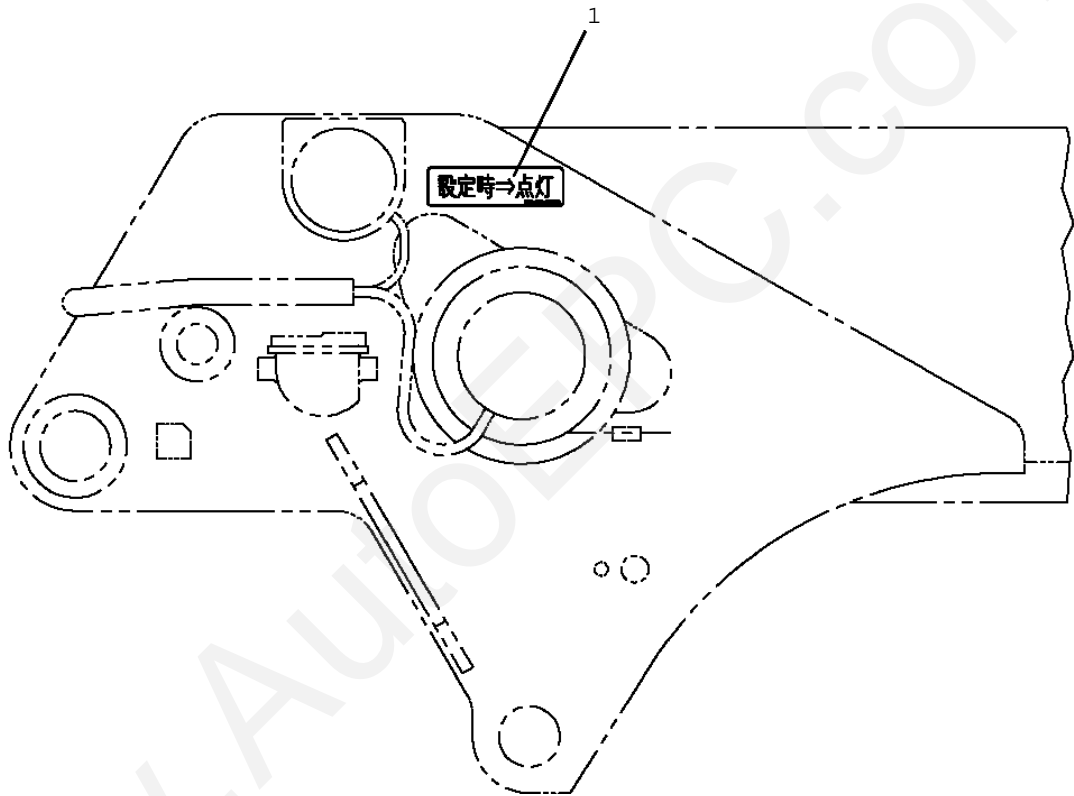
**AWL**

**TM-ZF360 41102210021A FRAME/SL,MANUAL**

Pos No.	Parts No	Parts Name	Qty	Unit	Technical Data	Serial No (Start)	Serial
1	31502232100	PLATE,CAUTION	1				
2	31502232200	PLATE,CAUTION	1				

www.AutoEPC.com

TM-ZF360 41102210021A FRAME/SL, MANUAL  
PN5010239-00 NAME PLATE ASSY

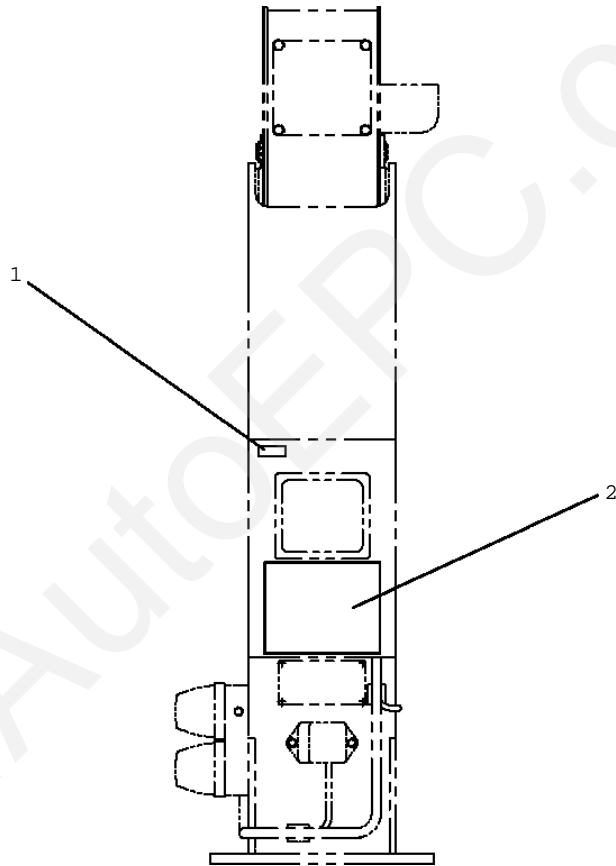


**TM-ZF360 41102210021A FRAME/SL,MANUAL**

Pos No.	Parts No	Parts Name	Qty	Unit	Technical Data	Serial No (Start)	Serial No
1	37002230910	PLATE,NAME	2				

www.AutoEPC.com

TM-ZF360 41102210021A FRAME/SL,MANUAL  
PO1012215-00 PLATE ASSY,NAME (AWL)

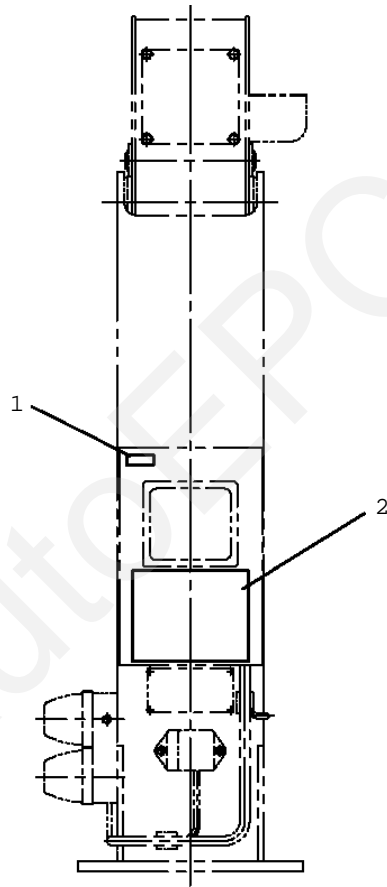


**TM-ZF360 41102210021A FRAME/SL,MANUAL**

Pos No.	Parts No	Parts Name	Qty	Unit	Technical Data	Serial No (Start)	Serial
1	37002201980	PLATE,NAME	1				
2	31473973100	PLATE,CAUTION	1				

www.AutoEPC.com

TM-ZF360 41102210021A FRAME/SL,MANUAL  
PO1012450-00 PLATE ASSY,NAME (AWL)



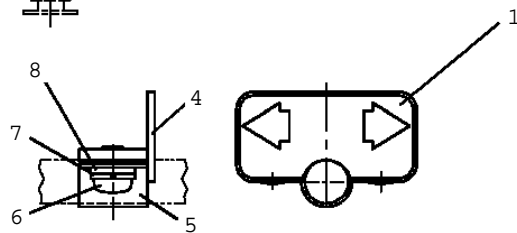
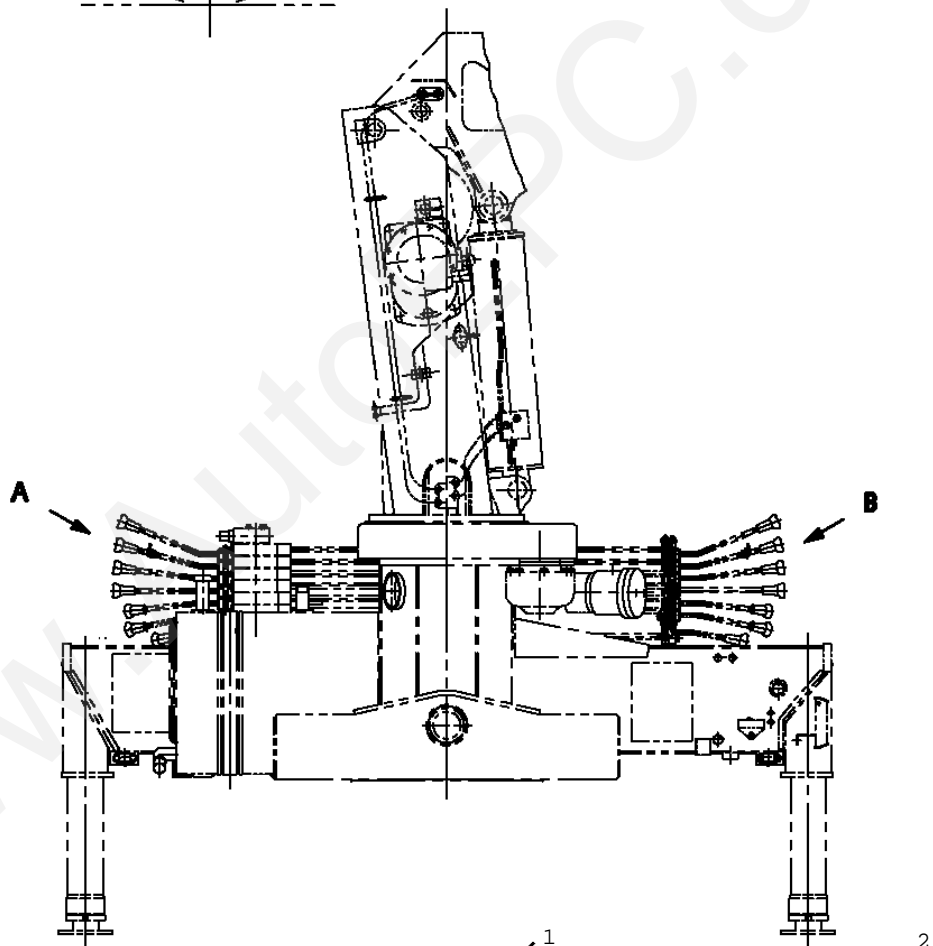
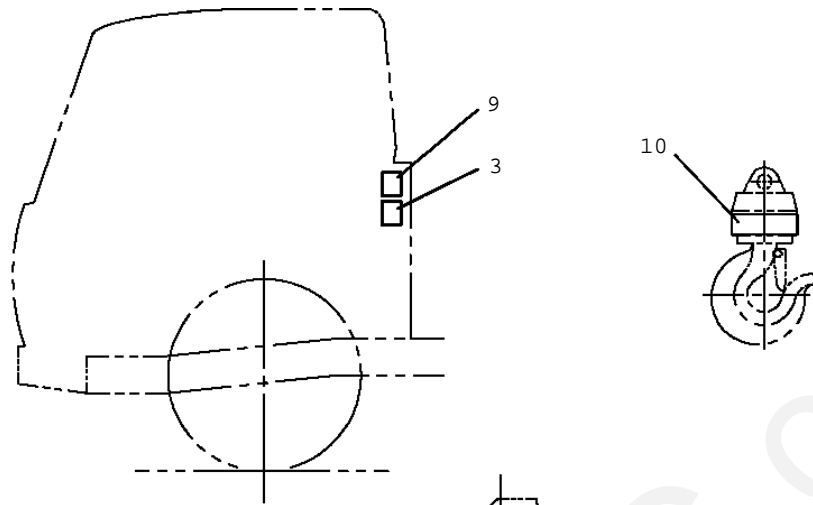


**TM-ZF360 41102210021A FRAME/SL,MANUAL**

Pos No.	Parts No	Parts Name	Qty	Unit	Technical Data	Serial No (Start)	Serial
1	37002201980	PLATE,NAME	1				
2	31474593101	PLATE,CAUTION	1				

www.AutoEPC.com

TM-ZF360 41102210021A FRAME/SL, MANUAL  
PO1012451-00 PLATE ASSY, NAME (DRUM FREE)



**A**

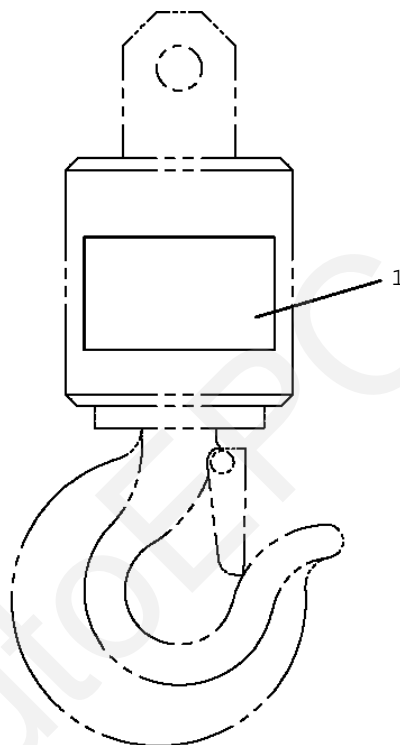
**B**

**TM-ZF360 41102210021A FRAME/SL,MANUAL**

Pos No.	Parts No	Parts Name	Qty	Unit	Technical Data	Serial No (Star
1	31473745100	PLATE,NAME	1			
2	31473745200	PLATE,NAME	1			
3	31473745500	PLATE,CAUTION	2			
4	31473745400	SUPPORT	2			
5	37000604590	CLAMP	2			
6	80182306008	SCREW,MACHINE	4		M6X8	
7	90302040601	WASHER,SPRING	4		6	
8	90303070601	WASHER,PLAIN	4		6	
9	31473745600	PLATE,CAUTION	2			
10	31473745700	PLATE,CAUTION (0.49TON)	1			

www.AutoEPC.com

TM-ZF360 41102210021A FRAME/SL, MANUAL  
PO1012473-02 PLATE ASSY, NAME (HOOK)



1

つり上げ荷重 〇.49 t

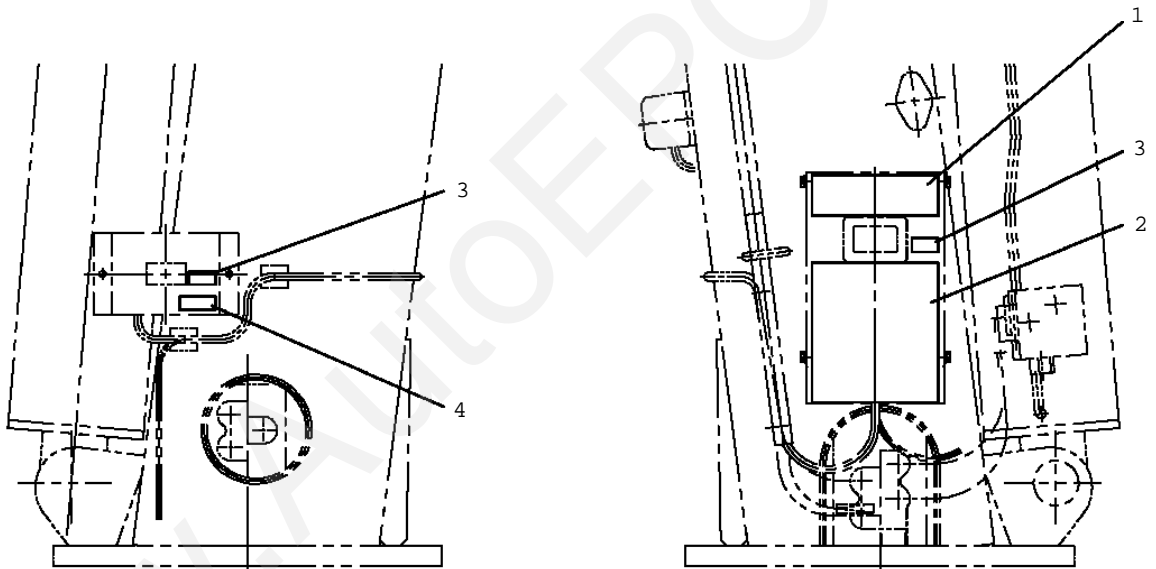
警告	● 1本吊り時の定額吊重量は、空車時定額吊重量に劣ります。 ただし〇.49tを超える場合は、〇.49tとします。空車時定 額吊重量の値は、つり具設置（フック等）を念じています。
	314-734-01100

**TM-ZF360 41102210021A FRAME/SL,MANUAL**

Pos No.	Parts No	Parts Name	Qty	Unit	Technical Data	Serial No (Start)	Serial
1	31473481100	PLATE,CAUTION	1				

www.AutoEPC.com

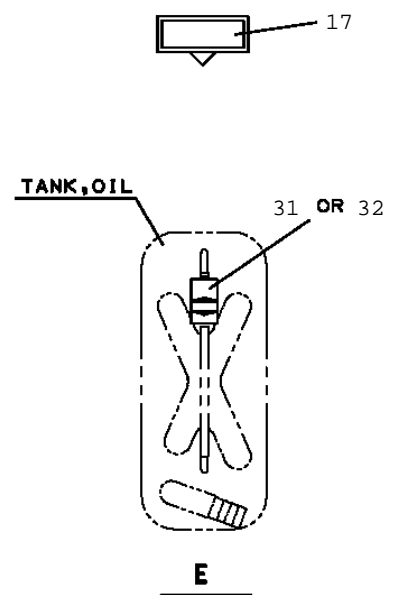
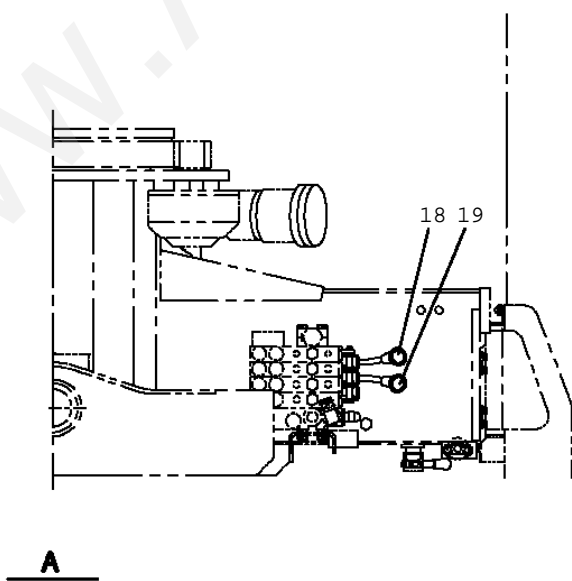
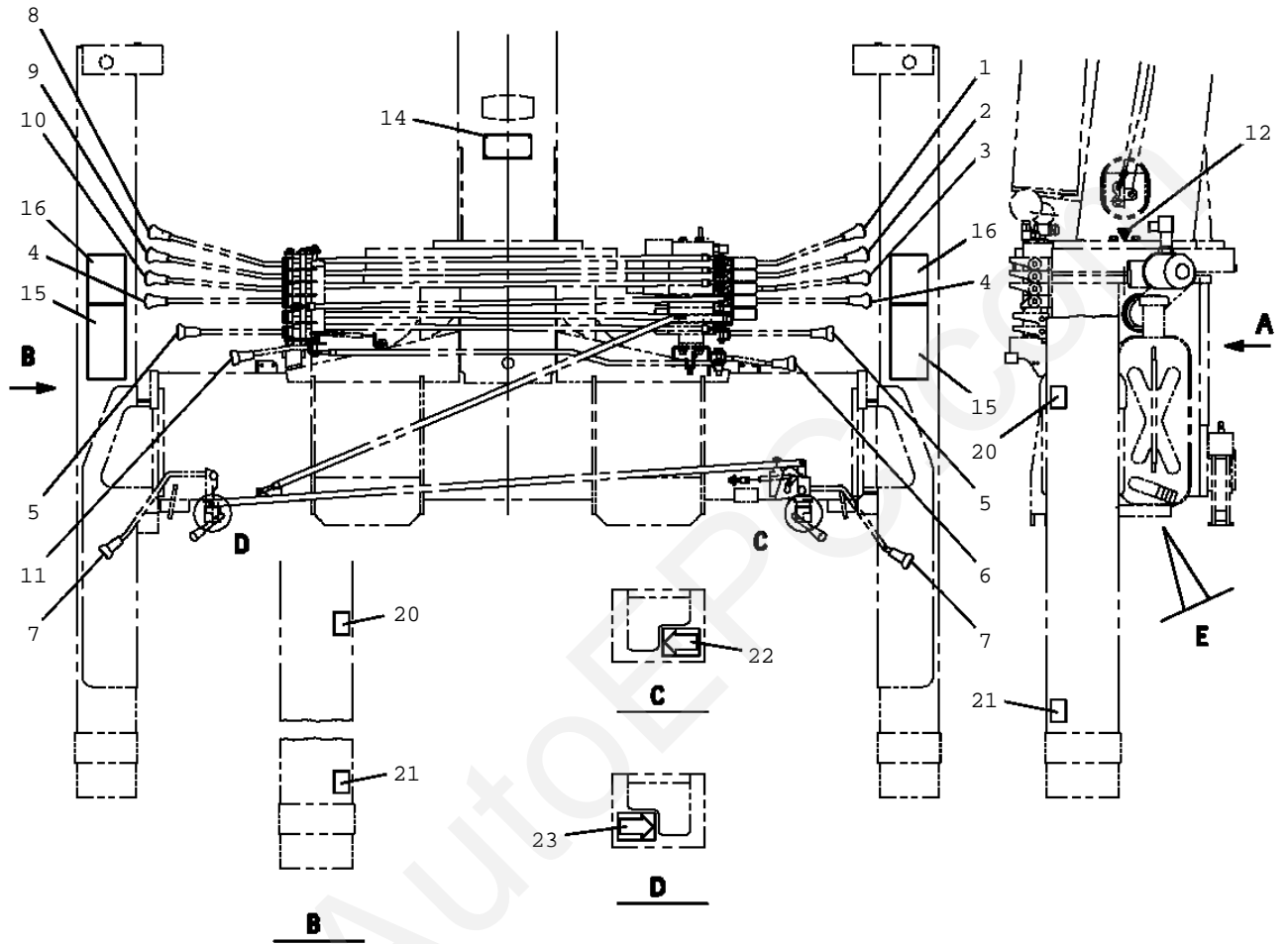
TM-ZF360 41102210021A FRAME/SL, MANUAL  
PO1012546-01 PLATE ASSY, NAME (BML, OPTION)



**TM-ZF360 41102210021A FRAME/SL,MANUAL**

Pos No.	Parts No	Parts Name	Qty	Unit	Technical Data	Serial No (Start)	S
1	31360206010	PLATE,CAUTION	1				
2	31360206020	PLATE,CAUTION	1				
3	31360206030	PLATE,NAME (TON/%)	2				
4	37002201980	PLATE,NAME	1				

www.AutoEPC.com



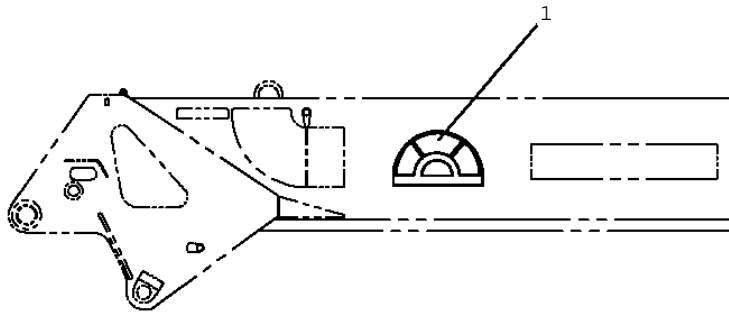


**TM-ZF360 41102210021A FRAME/SL,MANUAL**

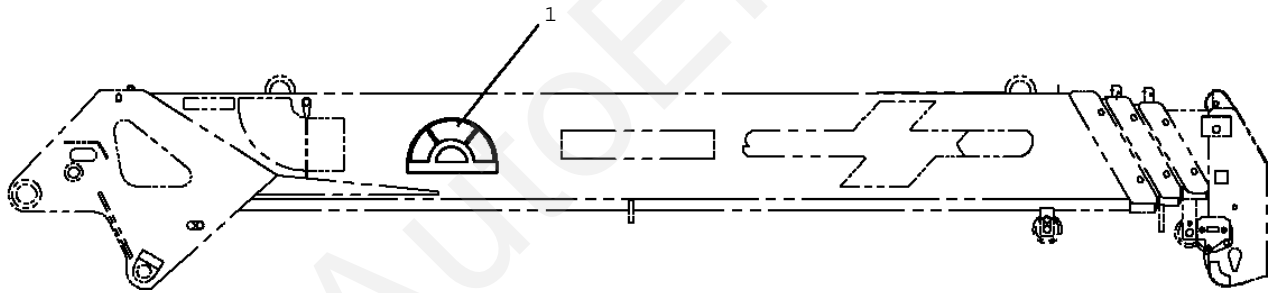
Pos No.	Parts No	Parts Name	Qty	Unit	Technical Data	Serial No (
1	37002213050	PLATE,NAME (TELESCOPING)	1			
2	37002213060	PLATE,NAME (WINCH)	1			
3	37002213070	PLATE,NAME (ELEVATING)	1			
4	37002213080	PLATE,NAME (SWING)	2			
5	37002214830	PLATE,NAME (TELESCOPING)	2			
6	37002213110	PLATE,NAME	1			
7	37002214820	PLATE,NAME (O/R EXTENSION)	2			
8	37002213120	PLATE,NAME (TELESCOPING)	1			
9	37002213130	PLATE,NAME (WINCH)	1			
10	37002213140	PLATE,NAME (ELEVATING)	1			
11	37002213170	PLATE,NAME	1			
12	37002200320	PLATE,NAME	2			
14	90451700100	SCREW,TAPPING	4		M4X6.4	
15	31395390210	PLATE,CAUTION	2			
16	31395220230	PLATE,CAUTION	2			
17	37002206490	PLATE,NAME (GREASE)	5			
18	37002214020	PLATE,NAME (SLIDE)	1			
19	37002214030	PLATE,NAME (SLIDE)	1			
20	31395220250	PLATE,CAUTION	2			
21	31395220260	PLATE,CAUTION	2			
22	37002217510	PLATE,CAUTION (LOCK)	1			
23	37002217520	PLATE,CAUTION (LOCK)	1			
31	37002213190	PLATE,NAME (LEVEL, ISO VG46)	1			
32	37002213740	PLATE,NAME (LEVEL, ISO VG32)	1			

www.AutoEPC.com

TM-ZF360 41102210021A FRAME/SL, MANUAL  
PO1012663-00 PLATE ASSY, NAME (BML BOOM, OPTION)



5x6 SECTIONS

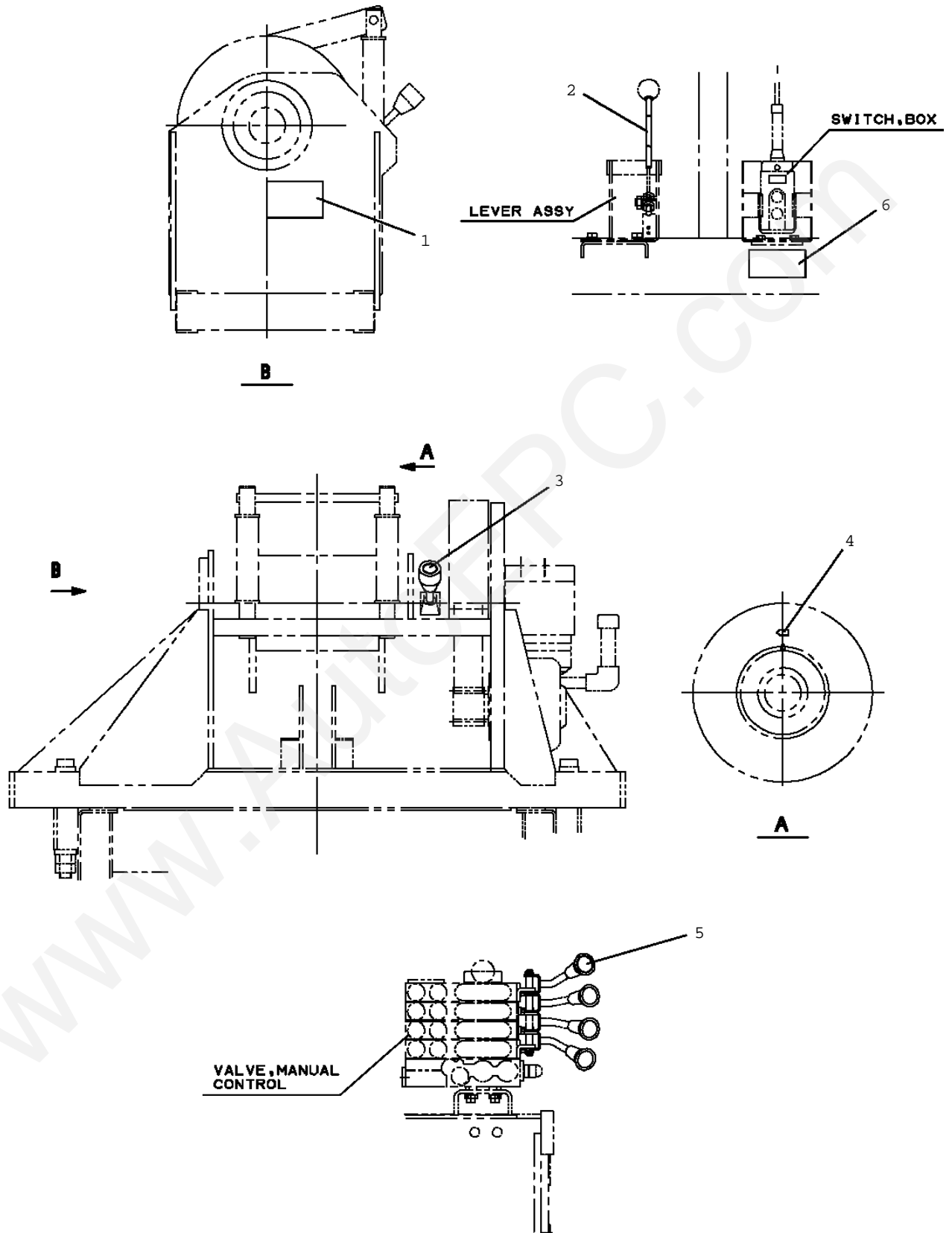


**TM-ZF360 41102210021A FRAME/SL,MANUAL**

Pos No.	Parts No	Parts Name	Qty	Unit	Technical Data	Serial No (Start)	Ser
1	31360206510	PLATE,NAME (BML)	2				

www.AutoEPC.com

TM-ZF360 41102210021A FRAME/SL, MANUAL  
PO1012664-00 PLATE ASSY, NAME (SELF WINCH 4T, OPTION)

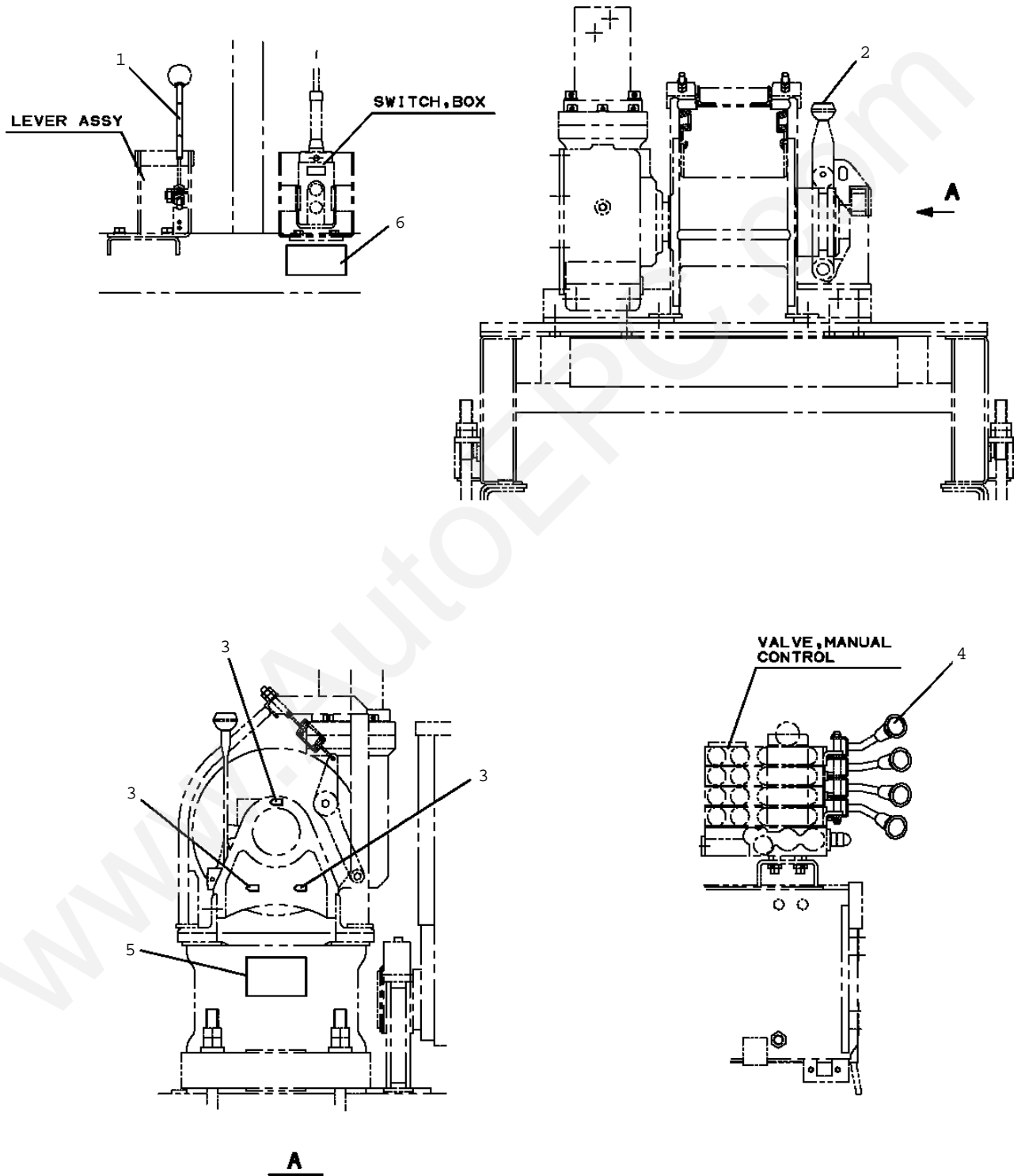


**TM-ZF360 41102210021A FRAME/SL,MANUAL**

Pos No.	Parts No	Parts Name	Qty	Unit	Technical Data	Serial No (Start)
1	31394550200	PLATE,CAUTION	1			
2	12437013001	PLATE,NAME	1			
3	37002201460	PLATE,NAME	1			
4	37002206490	PLATE,NAME (GREASE)	2			
5	37002213060	PLATE,NAME (WINCH)	1			
6	31394860300	PLATE,CAUTION	1			

www.AutoEPC.com

TM-ZF360 41102210021A FRAME/SL, MANUAL  
PO1012665-00 PLATE ASSY, NAME (SELF WINCH 3T, OPTION)

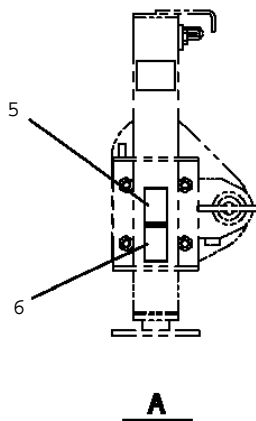
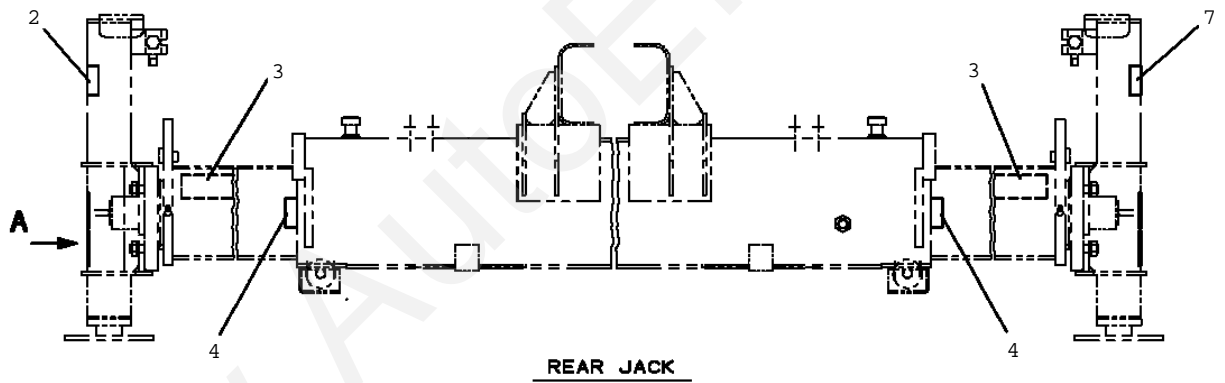
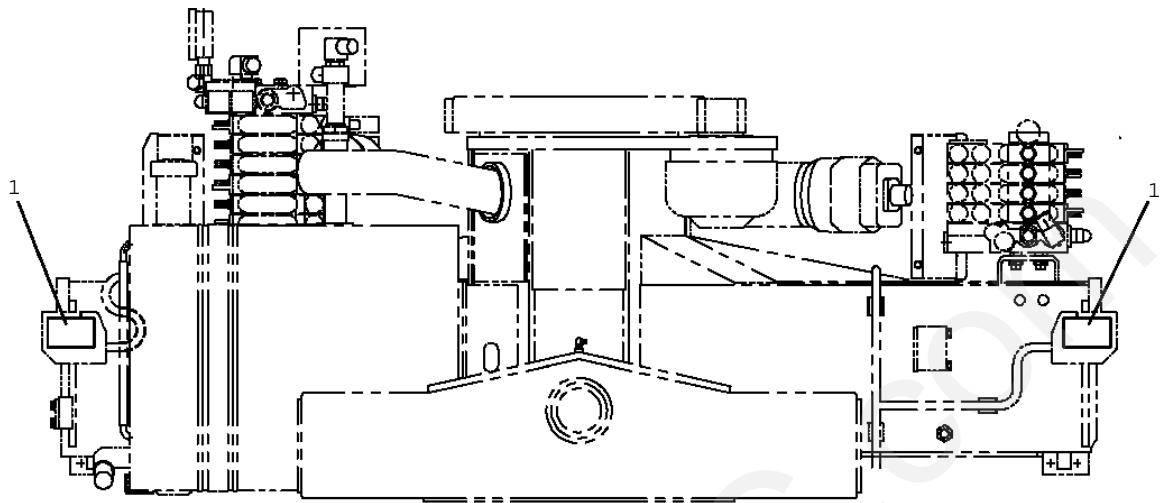


**TM-ZF360 41102210021A FRAME/SL,MANUAL**

Pos No.	Parts No	Parts Name	Qty	Unit	Technical Data	Serial No (Start)
1	12437013001	PLATE,NAME	1			
2	37002213820	PLATE,NAME	1			
3	37002206490	PLATE,NAME (GREASE)	3			
4	37002213060	PLATE,NAME (WINCH)	1			
5	31394550200	PLATE,CAUTION	1			
6	31394860300	PLATE,CAUTION	1			

www.AutoEPC.com

TM-ZF360 41102210021A FRAME/SL, MANUAL  
PO1012666-00 PLATE ASSY, NAME (OUTRIGGER, REAR)

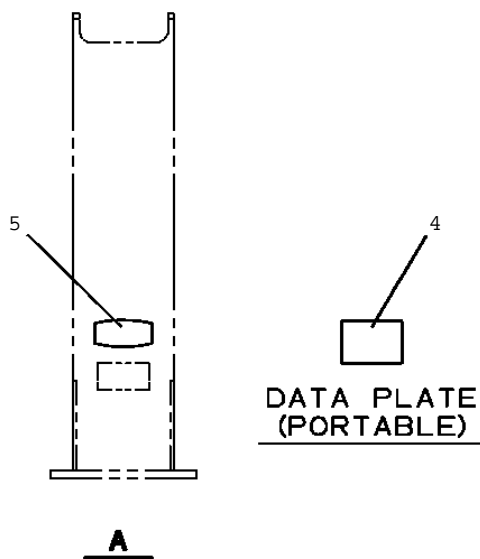
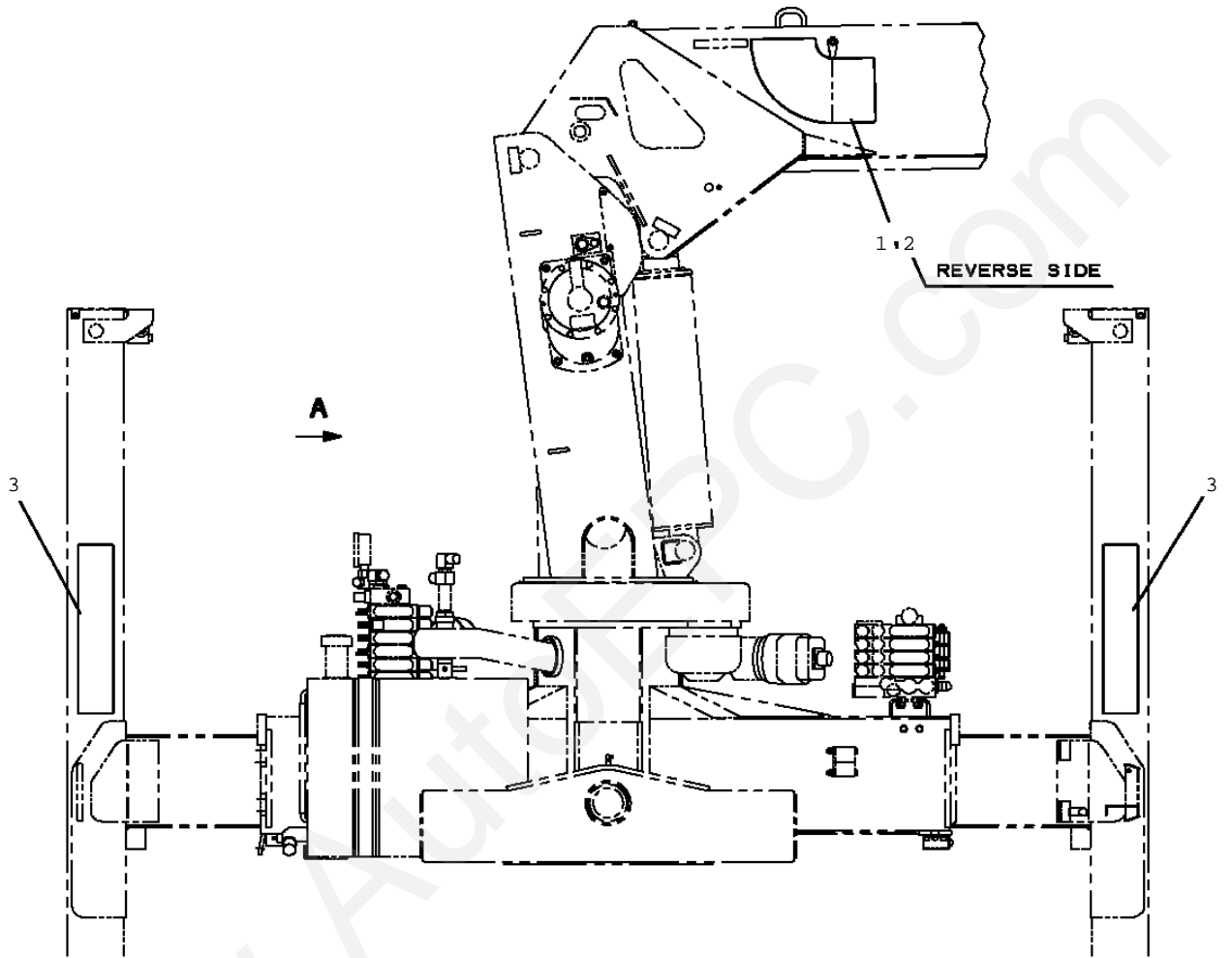




**TM-ZF360 41102210021A FRAME/SL,MANUAL**

Pos No.	Parts No	Parts Name	Qty	Unit	Technical Data	Serial No (Start)	S
1	31611823200	PLATE,CAUTION	2				
2	31394500100	PLATE,CAUTION	1				
3	31393180100	REFLECTOR (RED)	2				
4	31611300500	PLATE,NAME (WHITE)	4				
5	31395220250	PLATE,CAUTION	2				
6	31395220260	PLATE,CAUTION	2				
7	31394500200	PLATE,CAUTION	1				

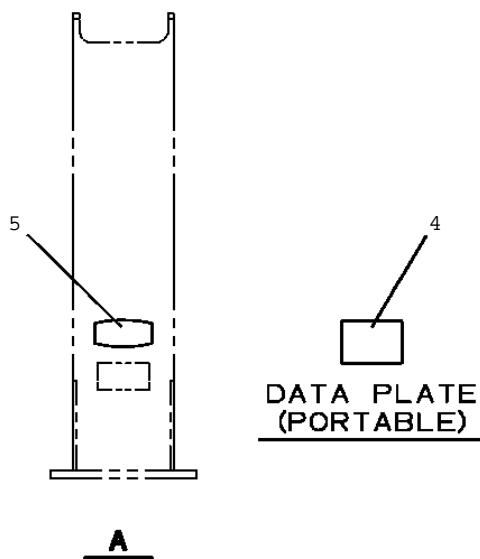
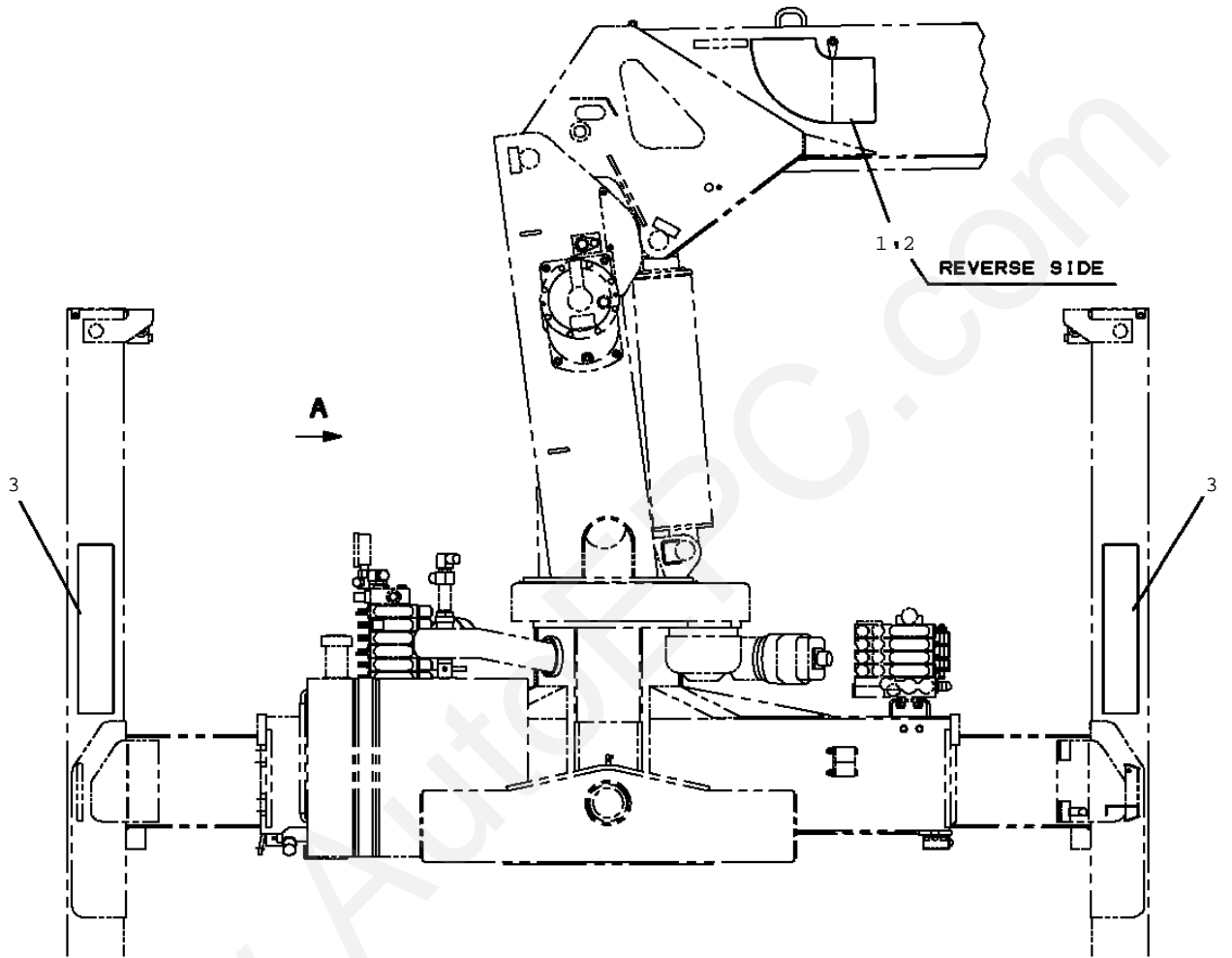
www.AutoEPC.com



**TM-ZF360 41102210021A FRAME/SL,MANUAL**

Pos No.	Parts No	Parts Name	Qty	Unit	Technical Data	Serial No (Start)	Serial No
1	31394682100	PLATE,NAME	1				
2	31394682200	PLATE,NAME	1				
3	31394682301	PLATE,NAME	2				
4	31394682401	PLATE,NAME	1				
5	37002213950	PLATE,NAME	1				

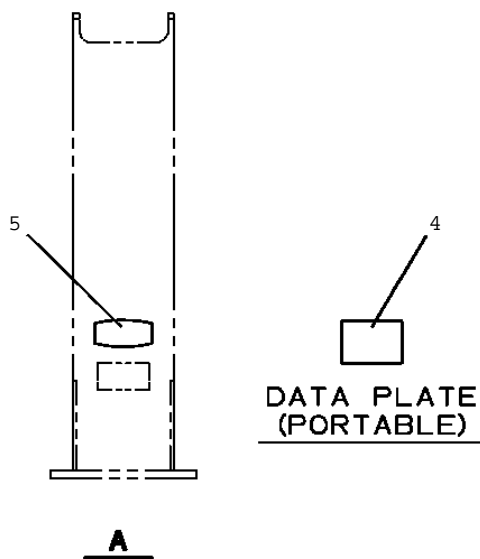
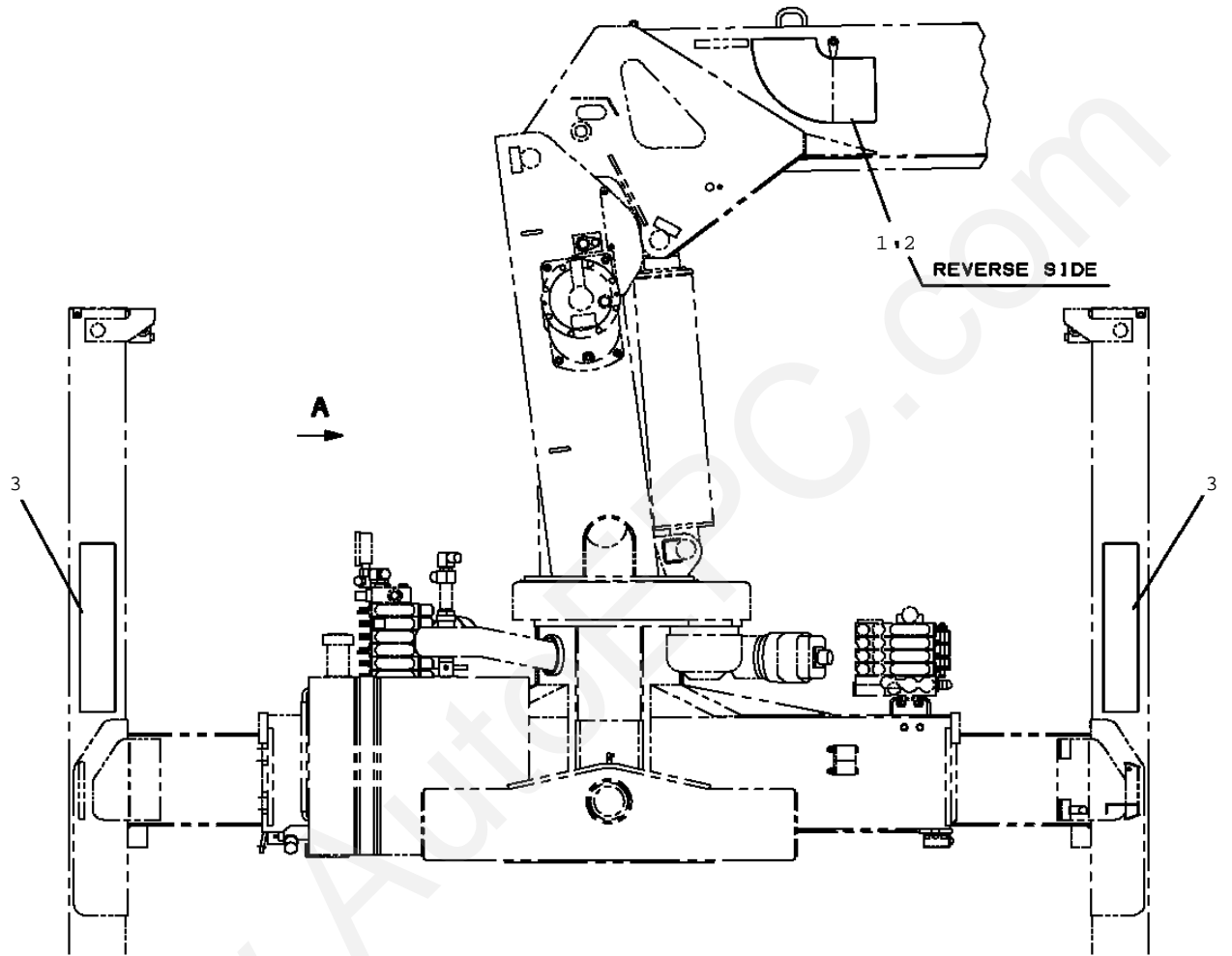
www.AutoEPC.com



**TM-ZF360 41102210021A FRAME/SL,MANUAL**

Pos No.	Parts No	Parts Name	Qty	Unit	Technical Data	Serial No (Start)	Serial No
1	31394681100	PLATE,NAME	1				
2	31394681200	PLATE,NAME	1				
3	31394681301	PLATE,NAME	2				
4	31394681401	PLATE,NAME	1				
5	37002213950	PLATE,NAME	1				

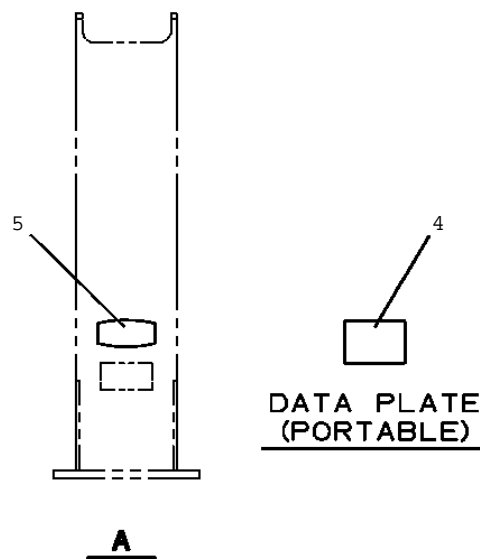
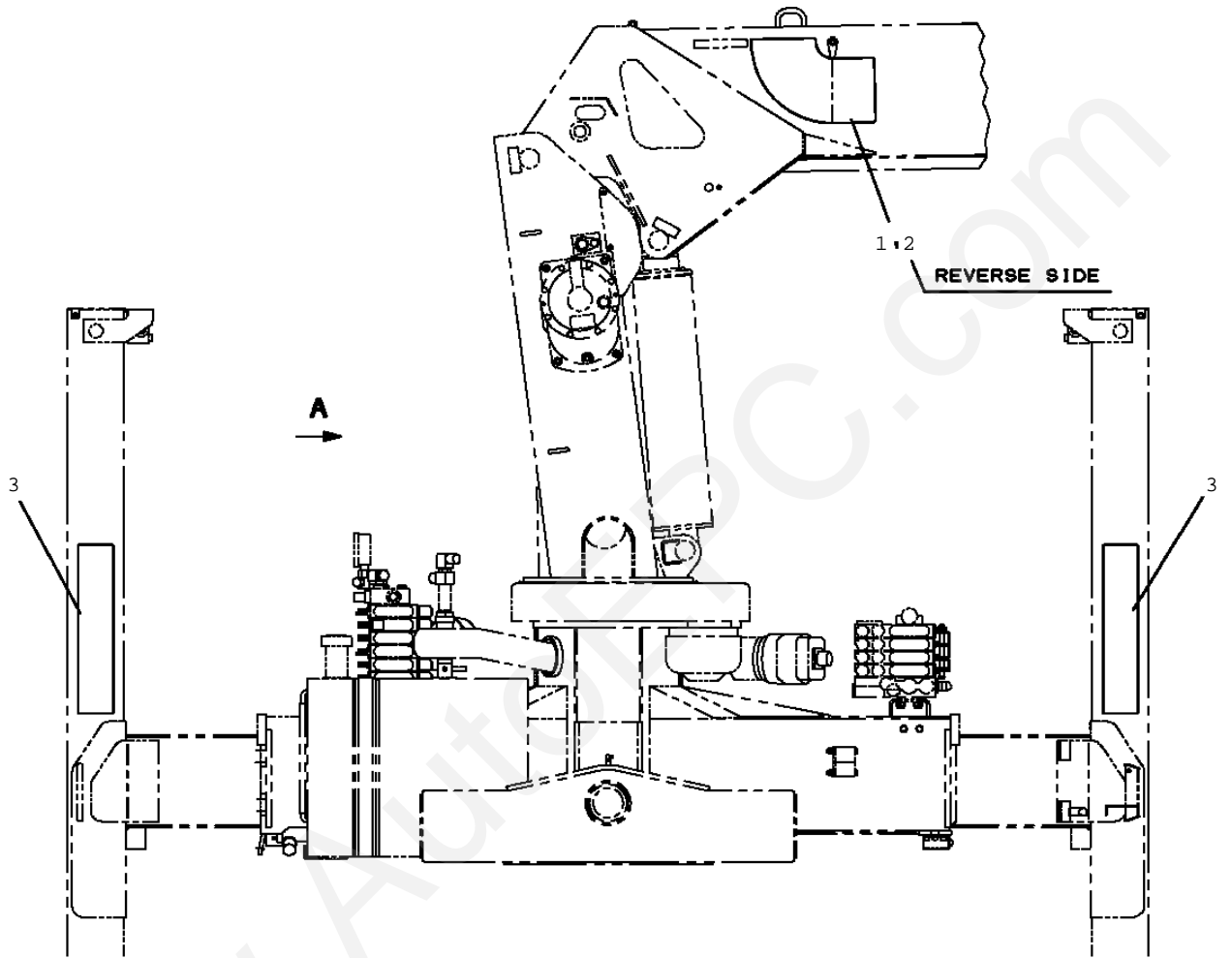
www.AutoEPC.com



**TM-ZF360 41102210021A FRAME/SL,MANUAL**

Pos No.	Parts No	Parts Name	Qty	Unit	Technical Data	Serial No (Start)	Serial No
1	31394672100	PLATE,NAME	1				
2	31394672200	PLATE,NAME	1				
3	31394672301	PLATE,NAME	2				
4	31394672401	PLATE,NAME	1				
5	37002213940	PLATE,NAME	1				

www.AutoEPC.com

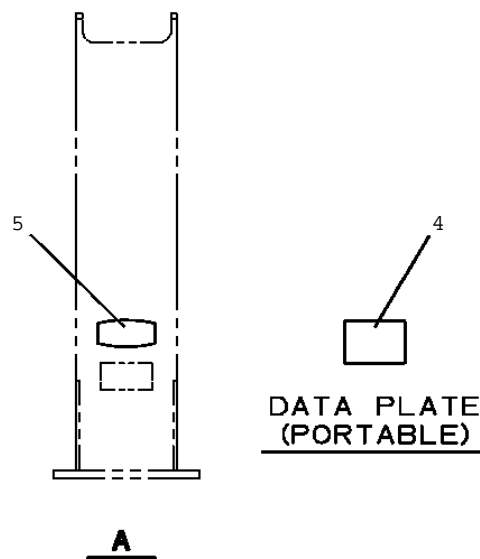
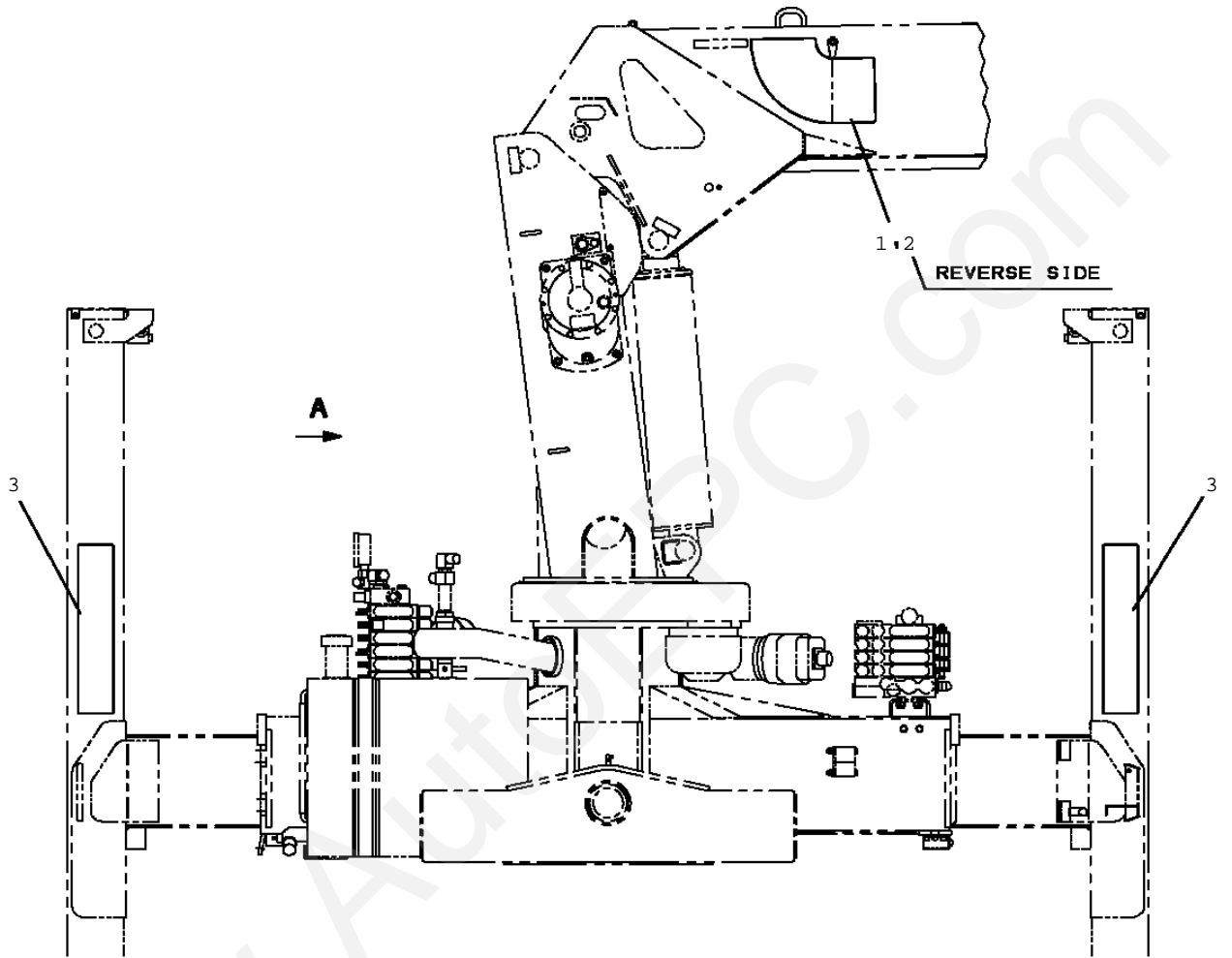




**TM-ZF360 41102210021A FRAME/SL,MANUAL**

Pos No.	Parts No	Parts Name	Qty	Unit	Technical Data	Serial No (Start)	Serial No
1	31394671100	PLATE,NAME	1				
2	31394671200	PLATE,NAME	1				
3	31394671301	PLATE,NAME	2				
4	31394671401	PLATE,NAME	1				
5	37002213940	PLATE,NAME	1				

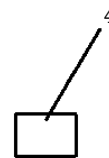
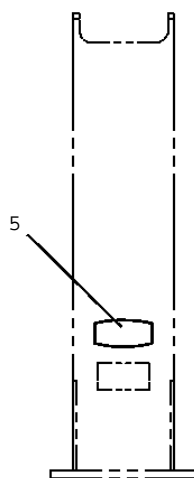
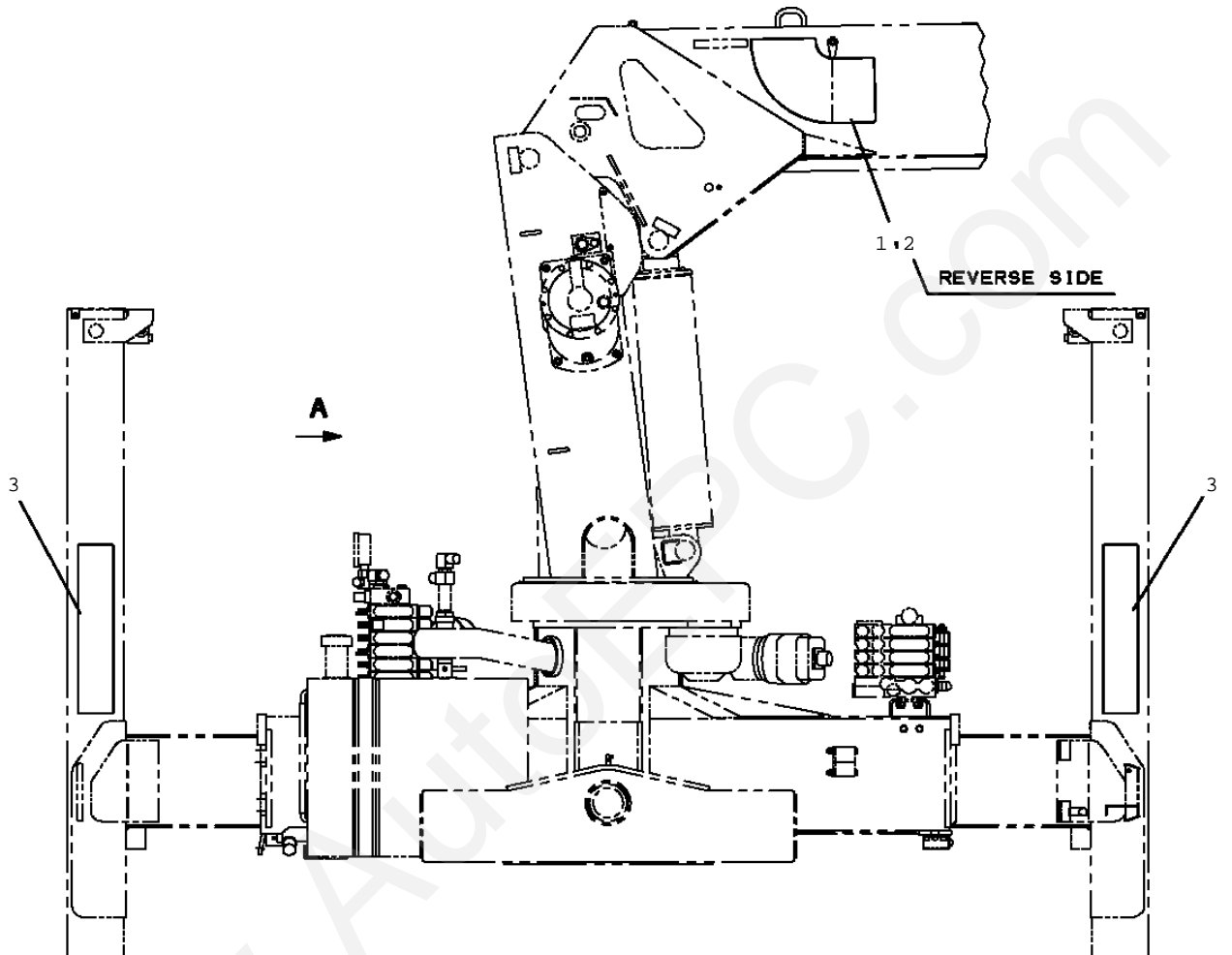
www.AutoEPC.com



**TM-ZF360 41102210021A FRAME/SL,MANUAL**

Pos No.	Parts No	Parts Name	Qty	Unit	Technical Data	Serial No (Start)	Serial No
1	31394662100	PLATE,NAME	1				
2	31394662200	PLATE,NAME	1				
3	31394662301	PLATE,NAME	2				
4	31394662401	PLATE,NAME	1				
5	37002213930	PLATE,NAME	1				

www.AutoEPC.com

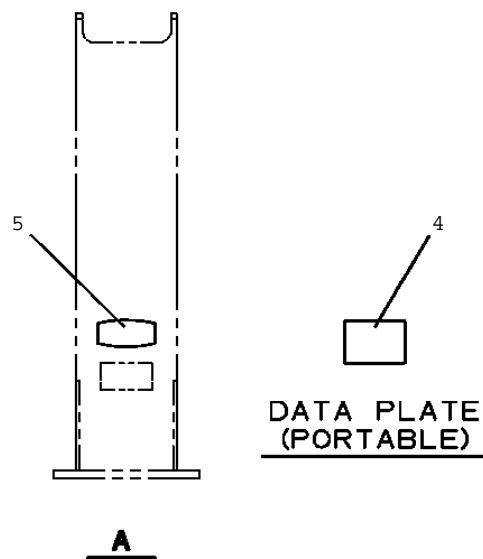
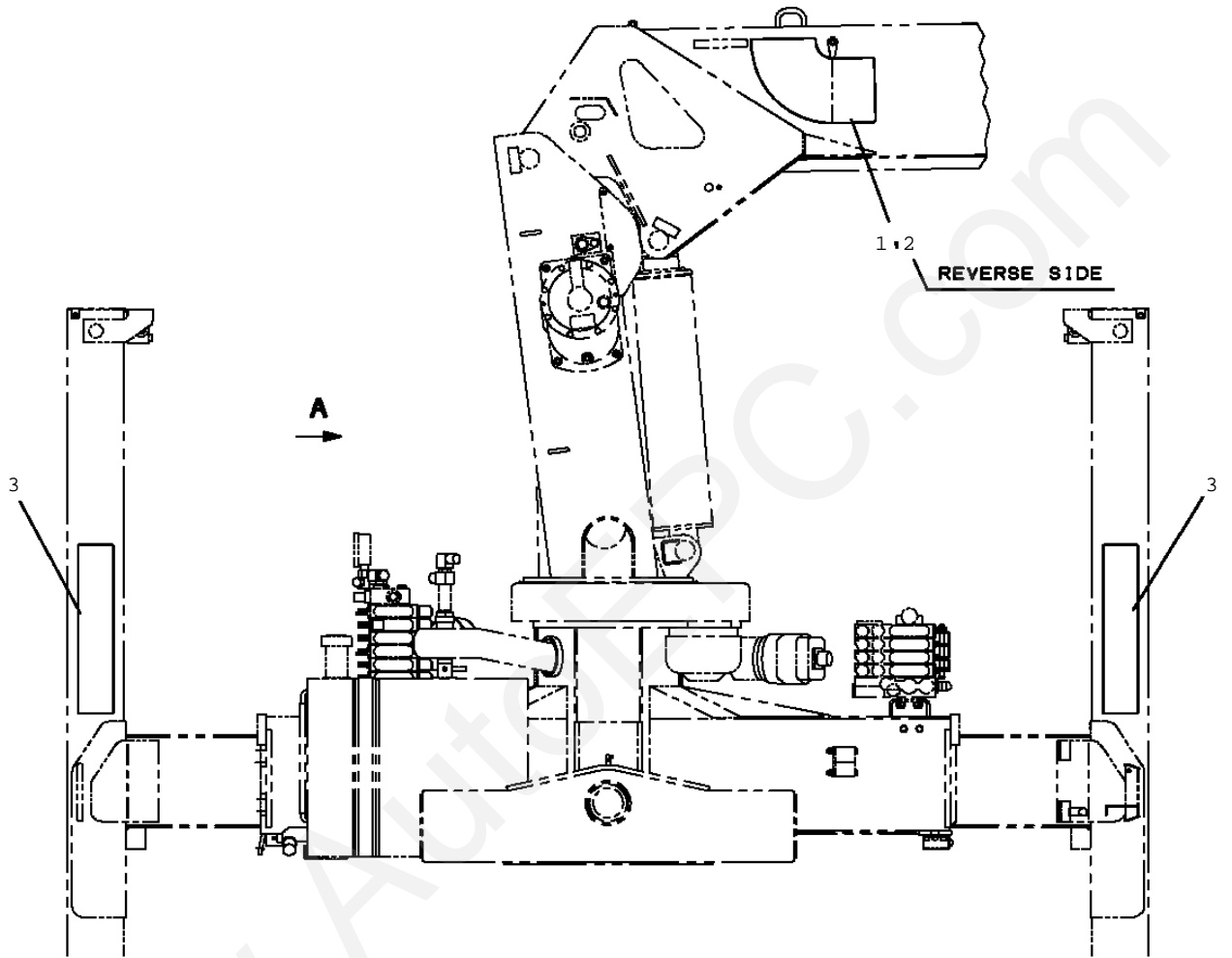


DATA PLATE  
(PORTABLE)

**TM-ZF360 41102210021A FRAME/SL, MANUAL**

Pos No.	Parts No	Parts Name	Qty	Unit	Technical Data	Serial No (Start)	Serial No
1	31394661100	PLATE, NAME	1				
2	31394661200	PLATE, NAME	1				
3	31394661301	PLATE, NAME	2				
4	31394661401	PLATE, NAME	1				
5	37002213930	PLATE, NAME	1				

www.AutoEPC.com

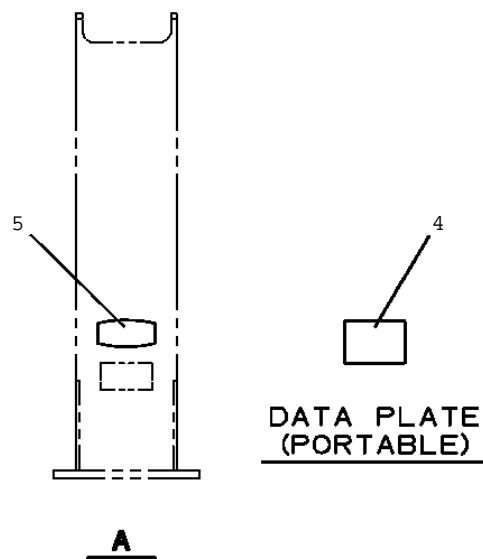
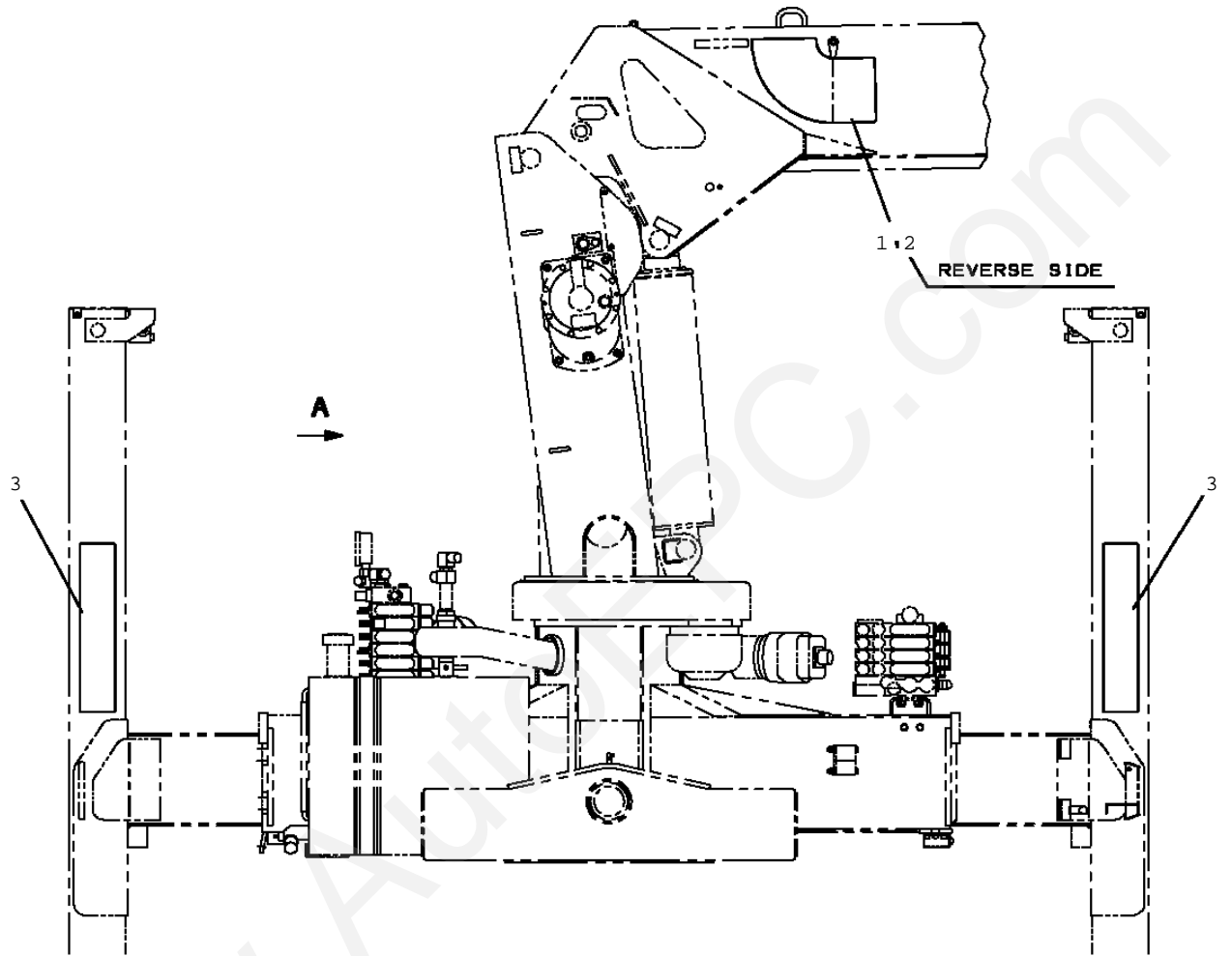


**TM-ZF360 41102210021A FRAME/SL, MANUAL**

Pos No.	Parts No	Parts Name	Qty	Unit	Technical Data	Serial No (Start)	Serial No
1	31394692100	PLATE, NAME	1				
2	31394692200	PLATE, NAME	1				
3	31394692301	PLATE, NAME	2				
4	31394692401	PLATE, NAME	1				
5	37002213960	PLATE, NAME	1				

www.AutoEPC.com

TM-ZF360 41102210021A FRAME/SL, MANUAL  
PO1012686-01 PERFORMANCE DATA (ZF366SL, 7TON)

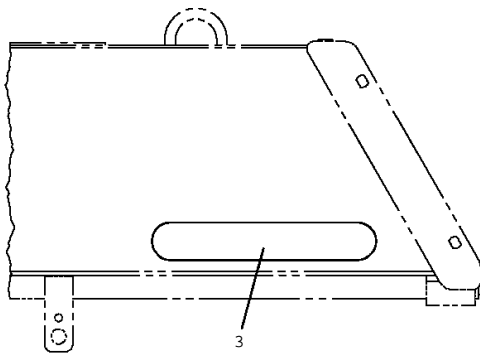




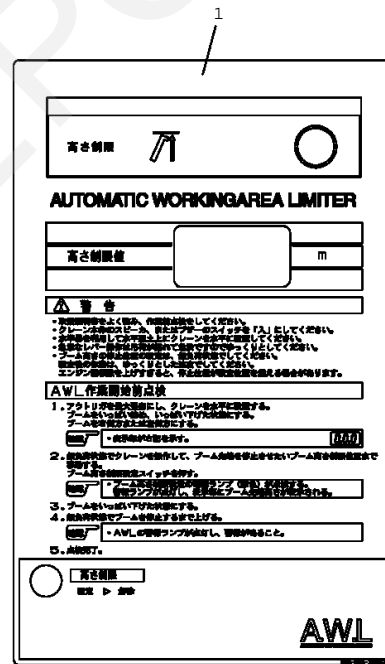
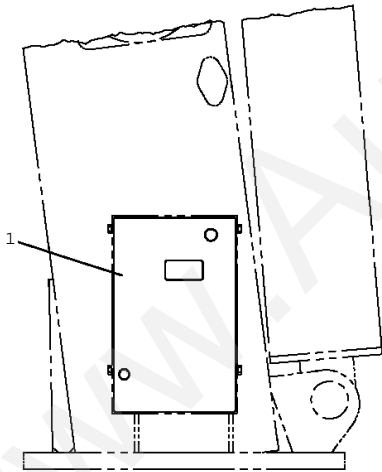
**TM-ZF360 41102210021A FRAME/SL,MANUAL**

Pos No.	Parts No	Parts Name	Qty	Unit	Technical Data	Serial No (Start)	Serial No
1	31394692100	PLATE,NAME	1				
2	31394692200	PLATE,NAME	1				
3	31394693300	PLATE,NAME	2				
4	31394693400	PLATE,NAME	1				
5	37002213960	PLATE,NAME	1				

www.AutoEPC.com



高さ制限装置付

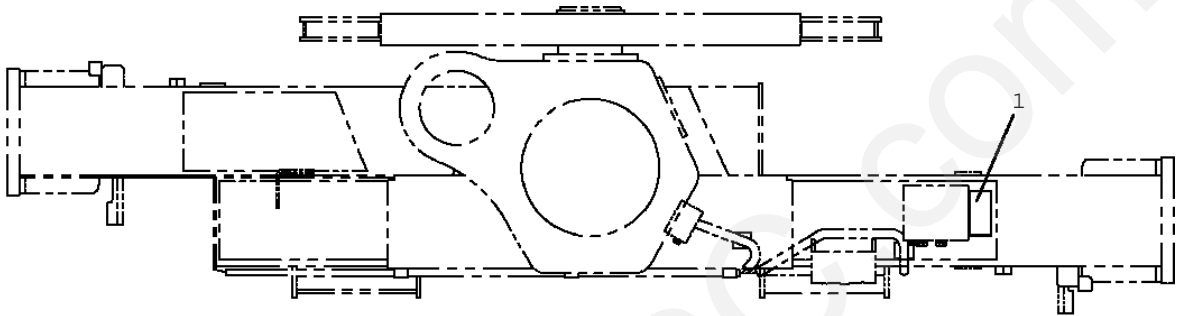


**TM-ZF360 41102210021A FRAME/SL,MANUAL**

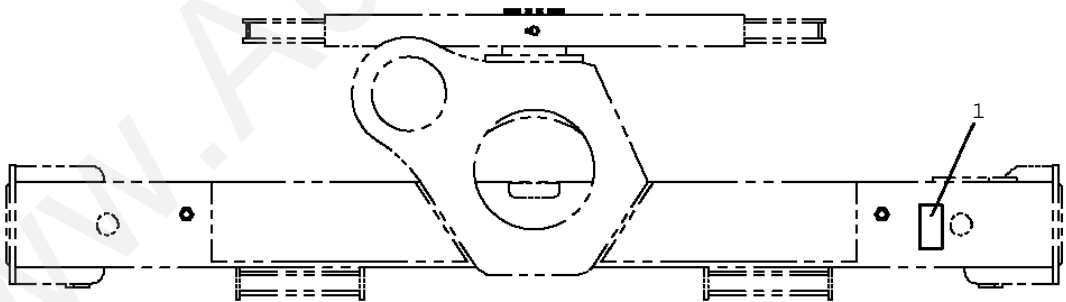
Pos No.	Parts No	Parts Name	Qty	Unit	Technical Data	Serial No (Start)
1	31500512100	PLATE,CAUTION (AWL)	1			
3	31361473100	PLATE,NAME	2			

www.AutoEPC.com

TM-ZF360 41102210021A FRAME/SL, MANUAL  
PO1014489-01 PLATE ASSY, NAME



ZF260, 290, 300J, 300, 300SLの場合



ZF230, 230Wの場合

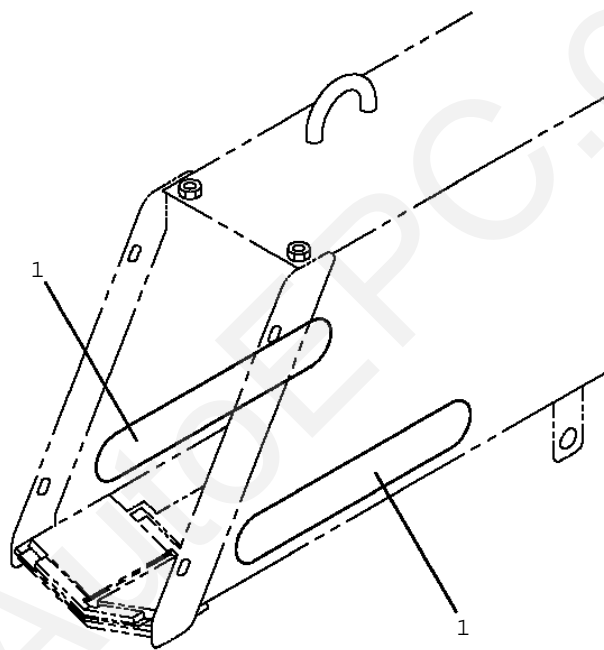
**TM-ZF360 41102210021A FRAME/SL,MANUAL**

Pos No.	Parts No	Parts Name	Qty	Unit	Technical Data	Serial No (Start)	Serial
1	31490000210	PLATE,CAUTION	1				

www.AutoEPC.com

TM-ZF360 41102210021A FRAME/SL, MANUAL

PO1014584-01 PLATE ASSY, NAME (BOOM, ELEV. STOWING FAILURE)



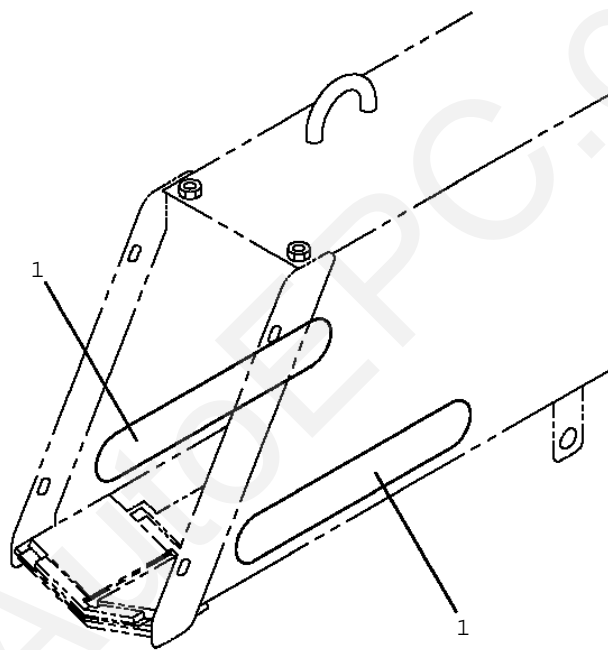
1  
ブーム格納忘れ警報装置付

**TM-ZF360 41102210021A FRAME/SL,MANUAL**

Pos No.	Parts No	Parts Name	Qty	Unit	Technical Data	Serial No (Start)	Serial No
1	31477441100	PLATE,NAME	2				

www.AutoEPC.com

TM-ZF360 41102210021A FRAME/SL,MANUAL  
PO1014592-01 PLATE ASSY,NAME



1  
アーム・アウトリガ格納忘れ警報装置付

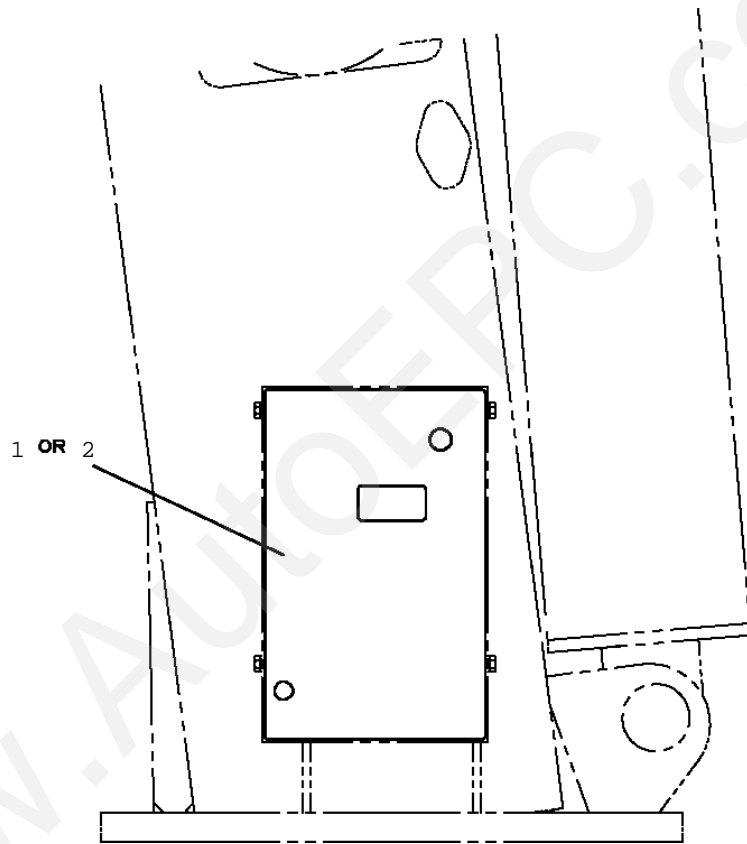


**TM-ZF360 41102210021A FRAME/SL,MANUAL**

Pos No.	Parts No	Parts Name	Qty	Unit	Technical Data	Serial No (Start)	Serial No
1	31477333100	PLATE,NAME	2				

www.AutoEPC.com

TM-ZF360 41102210021A FRAME/SL,MANUAL  
PO1014748-00 PLATE ASSY,NAME (FOR FIXING AWL)



**TM-ZF360 41102210021A FRAME/SL,MANUAL**

Pos No.	Parts No	Parts Name	Qty	Unit	Technical Data	Serial No (Star
1	31361841100	PLATE,CAUTION (FOR AWL)	1			
2	31361841200	PLATE,CAUTION (FOR BML)	1			

www.AutoEPC.com

指示番号 KEY NO.	パーツASSY,ラジコン(コウカンキット:LED/フジコシセイバルブ) PARTS ASSY,RADIO CONTROLLER (KIT:LED/NACHI)
2	ハイセンASSY(フレーム) ELEC.ASSY(FRAME)
3	ハイセンASSY(アンテナ) ELEC.ASSY(ANTENNA)
11	コントロールユニット CONTROL UNIT
12	アンテナ ANTENNA
13	スイッチボックス SWITCH BOX
14	ボックス,ストーイング BOX,STOWING

**TM-ZF360 41102210021A FRAME/SL,MANUAL**

Pos No.	Parts No	Parts Name	Qty	Unit	Technical Data	S
2	(*****)	ELEC.ASSY (FRAME)	1			
3	(*****)	ELEC.ASSY (ANTENNA)	1			
11	36804911000	CONTROL UNIT	1			
	36804911001	CONTROL UNIT	1			K
12	36804912000	ANTENNA (FOR RADIO CONTROL)	1			
13	36804913000	SWITCH BOX (RADIO CONTROL,LED TYPE)	1			
14	36804914000	BOX,STOWING	1			

www.AutoEPC.com

指示番号 KEY NO.	パーツASSY,ラジコン(コウカンキット:LED/サンワセイパールブ) PARTS ASSY,RADIO CONTROLLER (KIT:LED/SANWA)
2	ハイセンASSY(フレーム) ELEC.ASSY(FRAME)
3	ハイセンASSY(アンテナ) ELEC.ASSY(ANTENNA)
11	コントロールユニット CONTROL UNIT
12	アンテナ ANTENNA
13	スイッチボックス SWITCH BOX
14	ボックス,ストローイング BOX,STOWING

**TM-ZF360 41102210021A FRAME/SL,MANUAL**

Pos No.	Parts No	Parts Name	Qty	Unit	Technical Data	S
2	(*****)	ELEC.ASSY (FRAME)	1			
3	(*****)	ELEC.ASSY (ANTENNA)	1			
11	36804911000	CONTROL UNIT	1			
	36804911001	CONTROL UNIT	1			K
12	36804912000	ANTENNA (FOR RADIO CONTROL)	1			
13	36804913000	SWITCH BOX (RADIO CONTROL,LED TYPE)	1			
14	36804914000	BOX,STOWING	1			

www.AutoEPC.com

指示番号 KEY NO.	ラジコンASSY (F:LED/フックインナシ,-#EE4307) RADIO CONTROLLER ASSY (F:LED/WITHOUT HOOK-IN,-#EE4307)
2	ハイセンASSY (アンテナ) ELEC.ASSY (ANTENNA)
3	ハイセンASSY (フレーム) ELEC.ASSY (FRAME)
4	オペ. ASSY, ソウサハルブ (ラジコン) OPE.ASSY, CONT. VALVE (RADICON)
5	オペレーション システム, アクセル OPERATION SYSTEM, ACCELERATOR
6	パイピング, ロー PIPING, LOWER
7	パイピング, ロー (フィルタコウカン) PIPING, LOWER (REPLACE FILTER)
8	マウント (トクシヨウラジコンフ ラケットトリツケヨウ) MOUNT
21	コントロール ユニツト CONTROL UNIT
22	アンテナ (ラジコン) ANTENNA (FOR RADIO CONTROL)
23	スイッチ ボックス SWITCH BOX
24	ボックス, ストローイング BOX, STOWING



**TM-ZF360 41102210021A FRAME/SL,MANUAL**

Pos No.	Parts No	Parts Name	Qty	Unit	Technical Data	S
2	(*****)	ELEC.ASSY (ANTENNA)	1			
3	(*****)	ELEC.ASSY (RADIO CONTROL)	1			
4	(*****)	OPE.ASSY,CONT.VALVE (RADICON)	1			
5	(*****)	OPERATION SYSTEM, ACCELERATOR	1			
6	(*****)	PIPING,LOWER (SANWA)	1			
	(*****)	PIPING,LOWER (NACHI)	1			
7	(*****)	PIPING,LOWER (REPLACE FILTER)	1			
8	(*****)	MOUNT	1			
21	36804911000	CONTROL UNIT	1			
	36804911001	CONTROL UNIT	1			
22	36804912000	ANTENNA (FOR RADIO CONTROL)	1			
23	36804913000	SWITCH BOX (RADIO CONTROL,LED TYPE)	1			
24	36804914000	BOX,STOWING	1			

K

www.AutoEPC.com

指示番号 KEY NO.	ラジコンASSY (F:LED/フックインナシ,#EE4308-) RADIO CONTROLLER ASSY (F:LED/WITHOUT HOOK-IN,#EE4308-)
2	ハイセンASSY (アンテナ) ELEC.ASSY (ANTENNA)
3	ハイセンASSY (フレーム) ELEC.ASSY (FRAME)
4	オペレーティングASSY,ソウサバルブ (ラジコン) OPE.ASSY,CONT.VALVE (RADICON)
5	オペレーションシステム,アクセル OPERATION SYSTEM, ACCELERATOR
6	パイピング,ロー (リモコンバルブ) PIPING,LOWER (REMOTE CONTROL VALVE)
7	パイピング,ロー (フィルタコウカン) PIPING,LOWER (REPLACE FILTER)
8	マウントASSY (アンテナトリック) MOUNT ASSY (ANTENNA)
21	コントロールユニット CONTROL UNIT
22	アンテナ (ラジコン) ANTENNA (FOR RADIO CONTROL)
23	スイッチボックス SWITCH BOX
24	ボックス,ストローイング BOX,STOWING

**TM-ZF360 41102210021A FRAME/SL,MANUAL**

Pos No.	Parts No	Parts Name	Qty	Unit	Technical Data	S
2	(***** )	ELEC.ASSY (ANTENNA)	1			
3	(***** )	ELEC.ASSY (RADIO CONTROL)	1			
4	(***** )	OPE.ASSY,CONT.VALVE (RADICON)	1			
5	(***** )	OPERATION SYSTEM, ACCELERATOR	1			
6	(***** )	PIPING,LOWER (REMOTE CONTROL VALVE)	1			
7	(***** )	PIPING,LOWER (REPLACE FILTER)	1			
8	(***** )	MOUNT ASSY (ANTENNA)	1			
21	36804911000	CONTROL UNIT	1			
	36804911001	CONTROL UNIT	1			
22	36804912000	ANTENNA (FOR RADIO CONTROL)	1			
23	36804913000	SWITCH BOX (RADIO CONTROL,LED TYPE)	1			
24	36804914000	BOX,STOWING	1			

K

www.AutoEPC.com

指示番号 KEY NO.	ラジコンASSY (Fカクタ:LED/フックインツキ,-#EE4307) RADIO CONTROLLER ASSY (F:LED/WITH HOOK-IN,-#EE4307)
12	ハイセンASSY (アンテナ) ELEC.ASSY (ANTENNA)
13	ハイセンASSY (ラジコン,フックイン) ELEC.ASSY (RADIO CONTROL)
14	オペ. ASSY,ソウサハルブ (ラジコン) OPE.ASSY,CONT.VALVE (RADICON)
15	オペレーション システム,アクセル OPERATION SYSTEM, ACCELERATOR
16	パイピング,ロー PIPING,LOWER
17	パイピング,ロー (フィルタコウカン) PIPING,LOWER (REPLACE FILTER)
18	マウント (トクシヨウラジコンフ ラケツトリツケヨウ) MOUNT
121	コントロール ユニット CONTROL UNIT
122	アンテナ (ラジコン) ANTENNA* (FOR RADIO CONTROL)
123	スイッチ ボックス SWITCH BOX
124	ボックス,ストーイング BOX,STOWING

**TM-ZF360 41102210021A FRAME/SL,MANUAL**

Pos No.	Parts No	Parts Name	Qty	Unit	Technical Data	S
2	(***** )	ELEC.ASSY (ANTENNA)	1			
3	(***** )	ELEC.ASSY (RADIO CONTROL)	1			
4	(***** )	OPE.ASSY,CONT.VALVE (RADICON)	1			
5	(***** )	OPERATION SYSTEM, ACCELERATOR	1			
6	(***** )	PIPING,LOWER (NACHI)	1			
	(***** )	PIPING,LOWER (SANWA)	1			
7	(***** )	PIPING,LOWER (REPLACE FILTER)	1			
8	(***** )	MOUNT	1			
21	36804911000	CONTROL UNIT	1			
	36804911001	CONTROL UNIT	1			
22	36804912000	ANTENNA (FOR RADIO CONTROL)	1			
23	36804913000	SWITCH BOX (RADIO CONTROL,LED TYPE)	1			
24	36804914000	BOX,STOWING	1			

K

www.AutoEPC.com

指示番号 KEY NO.	ラジコンASSY (F:LED/フックインつき,#EE4308-) RADIO CONTROLLER ASSY (F:LED/WITH HOOK-IN,#EE4308-)
2	ハイセンASSY (アンテナ) ELEC.ASSY (ANTENNA)
3	ハイセンASSY (ラジコン,フックイン) ELEC.ASSY (RADIO CONTROL)
4	オペ. ASSY,ソウサバルブ (ラジコン) OPE.ASSY,CONT.VALVE (RADICON)
5	オペレーション システム,アクセル OPERATION SYSTEM, ACCELERATOR
6	パイピング,ロー (リモコンバルブ) PIPING,LOWER (REMOTE CONTROL VALVE)
7	パイピング,ロー (フィルタコウカン) PIPING,LOWER (REPLACE FILTER)
8	マウントASSY (アンテナトリック) MOUNT ASSY (ANTENNA)
21	コントロール ユニット CONTROL UNIT
22	アンテナ (ラジコン) ANTENNA (FOR RADIO CONTROL)
23	スイッチ ボックス SWITCH BOX
24	ボックス,ストローイング BOX,STOWING

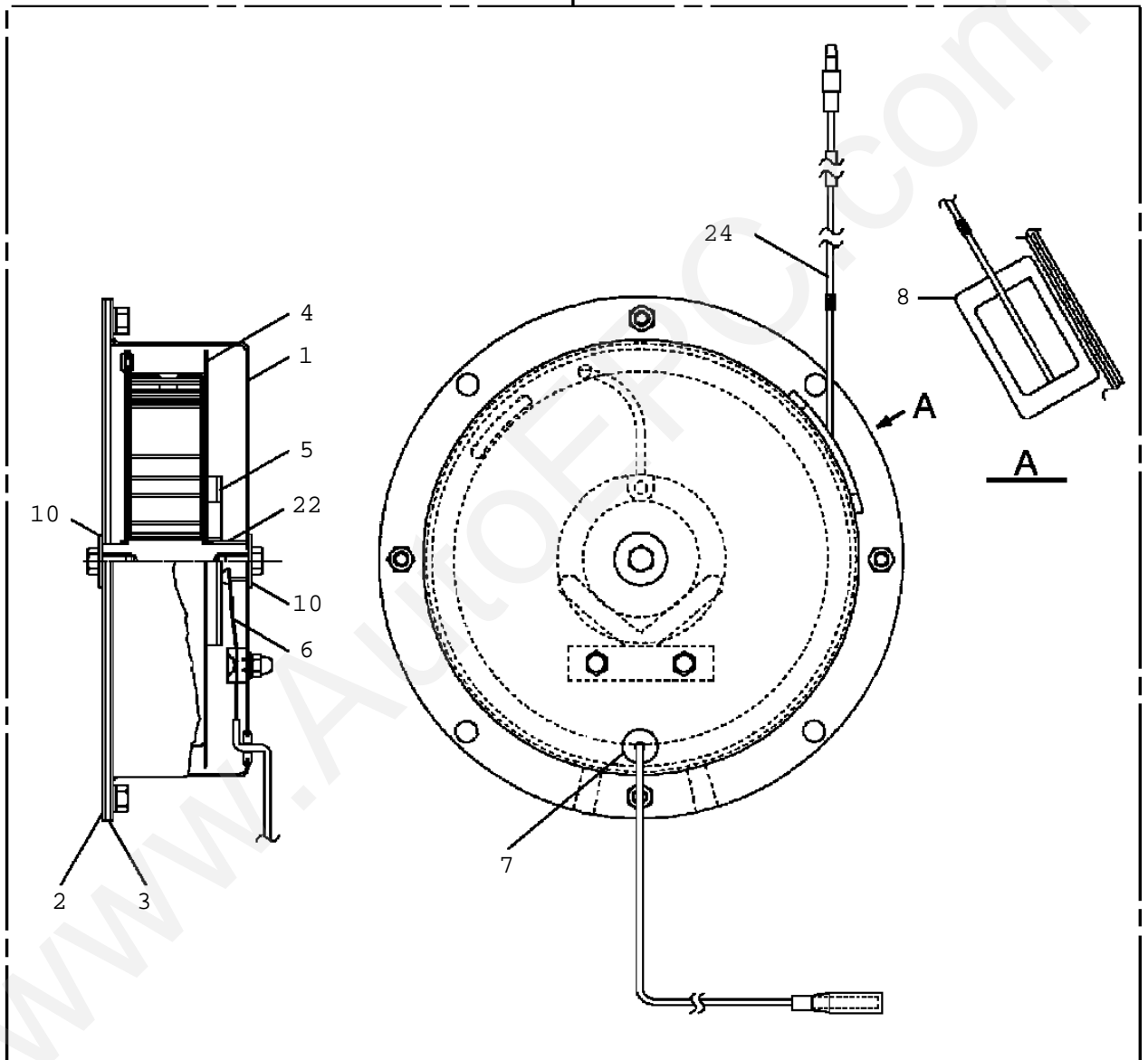
**TM-ZF360 41102210021A FRAME/SL,MANUAL**

Pos No.	Parts No	Parts Name	Qty	Unit	Technical Data	S
2	(*****)	ELEC.ASSY (ANTENNA)	1			
3	(*****)	ELEC.ASSY (RADIO CONTROL)	1			
4	(*****)	OPE.ASSY,CONT.VALVE (RADICON)	1			
5	(*****)	OPERATION SYSTEM, ACCELERATOR	1			
6	(*****)	PIPING,LOWER (REMOTE CONTROL VALVE)	1			
7	(*****)	PIPING,LOWER (REPLACE FILTER)	1			
8	(*****)	MOUNT ASSY (ANTENNA)	1			
21	36804911000	CONTROL UNIT	1			
	36804911001	CONTROL UNIT	1			
22	36804912000	ANTENNA (FOR RADIO CONTROL)	1			
23	36804913000	SWITCH BOX (RADIO CONTROL,LED TYPE)	1			
24	36804914000	BOX,STOWING	1			

K.

www.AutoEPC.com

100



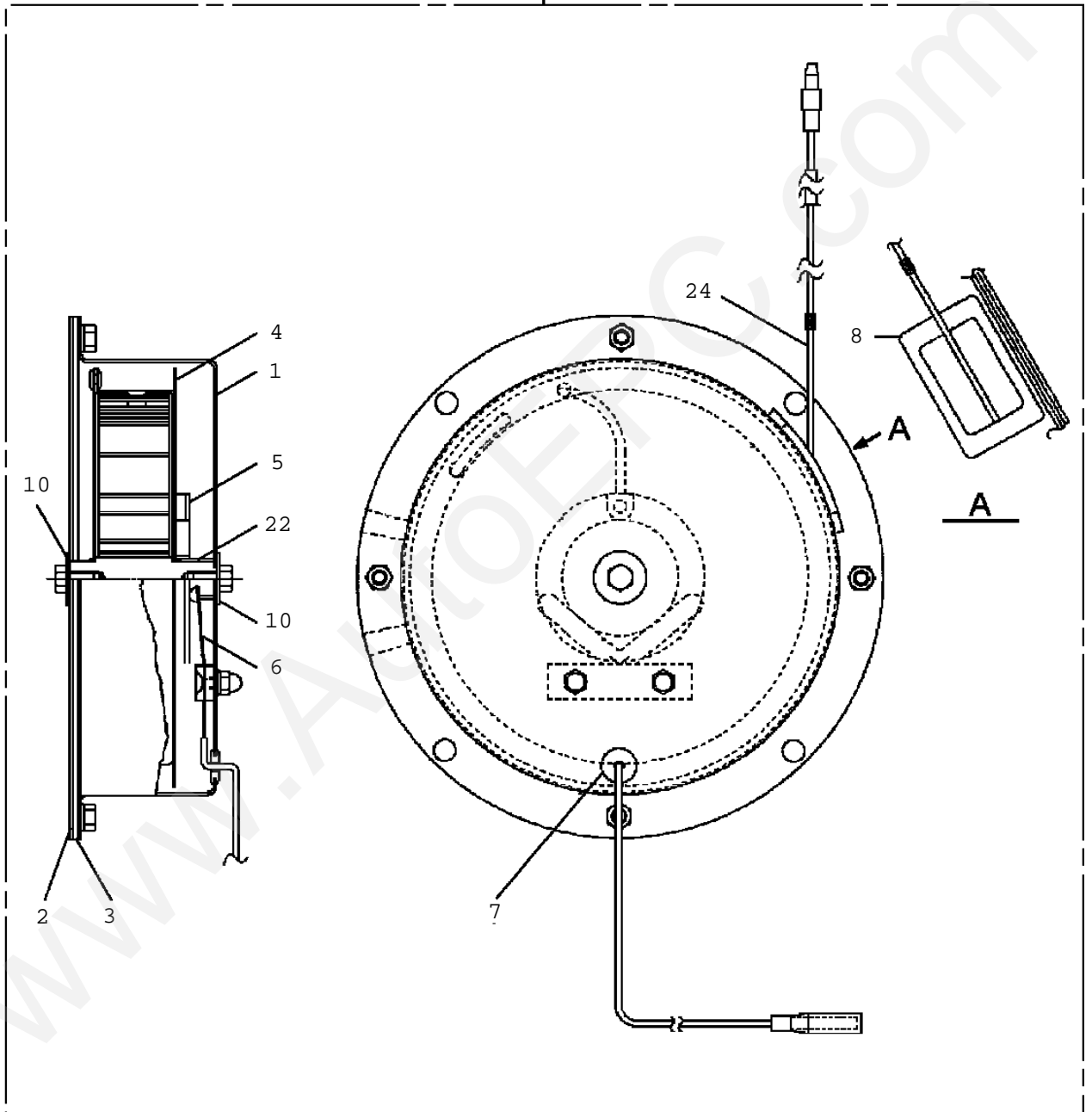


**TM-ZF360 41102210021A FRAME/SL,MANUAL**

Pos No.	Parts No	Parts Name	Qty	Unit	Technical Data	Serial No (Start)	Serial No (End)
1	36161705010	CASE	1				
2	36132015010	PLATE (BASE)	1				
3	36161705020	PACKING	1				
4	36161705030	SPRING ASSY	1				
5	32360005050	RING,SLIP	1				
6	32360005060	CONTACTOR ASSY	1				
7	31370005070	GROMMET	1				
8	31370005080	GUIDE (CORD)	1				
10	36160935030	WASHER	2				
22	36160325010	COLLAR	1				
24	36131745090	CORD	17	M			
100	36161700000	REEL ASSY, CORD	1				

www.AutoEPC.com

100

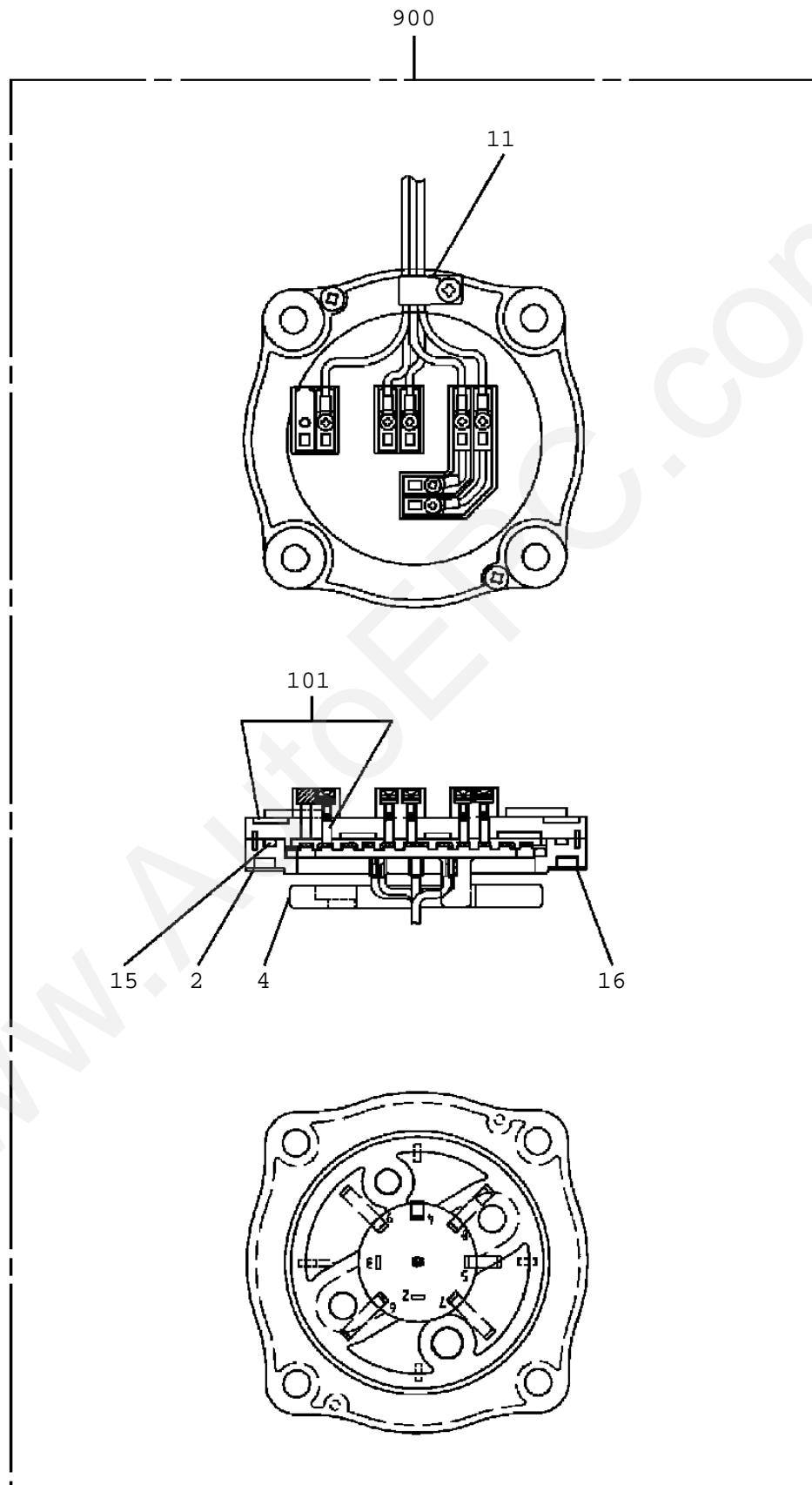


**TM-ZF360 41102210021A FRAME/SL,MANUAL**

Pos No.	Parts No	Parts Name	Qty	Unit	Technical Data	Serial No (Start)	Serial No (End)
1	36161705010	CASE	1				
2	36132015010	PLATE (BASE)	1				
3	36161705020	PACKING	1				
4	36161715010	SPRING ASSY	1				
5	32360005050	RING,SLIP	1				
6	32360005060	CONTACTOR ASSY	1				
7	31370005070	GROMMET	1				
8	31370005080	GUIDE (CORD)	1				
10	36160935030	WASHER	2				
22	36160325010	COLLAR	1				
24	36131745090	CORD	15	M			
100	36161770000	REEL ASSY, CORD	1				

www.AutoEPC.com

TM-ZF360 41102210021A FRAME/SL,MANUAL  
PR5130002-00 RING ASSY,SLIP

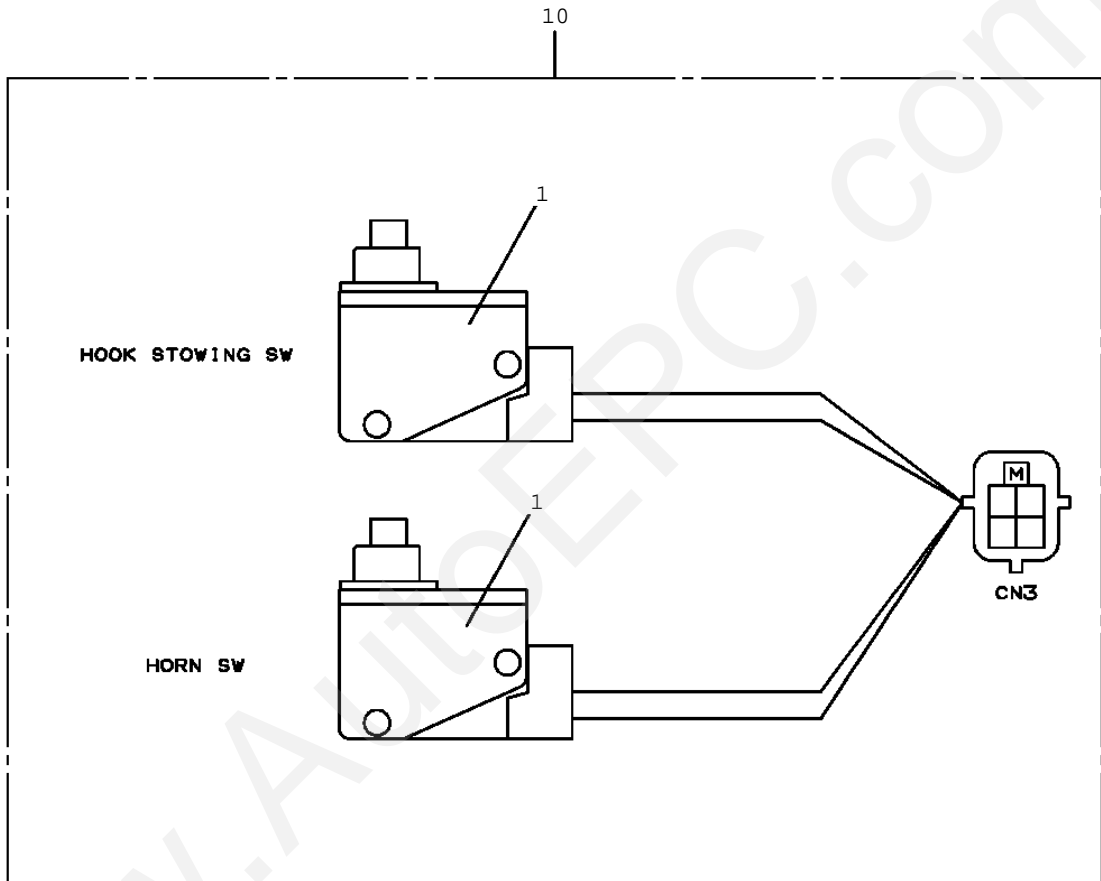


**TM-ZF360 41102210021A FRAME/SL,MANUAL**

Pos No.	Parts No	Parts Name	Qty	Unit	Technical Data	Serial N
2	31631807510	CASE (RING)	1			
4	31631807520	SPACER	1			
11	31631807530	CLAMP (CABLE)	1			
15	31631807540	O-RING	1			
16	31631807550	PACKING	1			
101	31631807560	HOLDER ASSY,BRUSH (WITH BRUSH)	1			
900	31631803000	RING ASSY,SLIP	1			

www.AutoEPC.com

TM-ZF360 41102210021A FRAME/SL, MANUAL  
PS5530073-00 SWITCH ASSY (GREEN: PANASONIC)

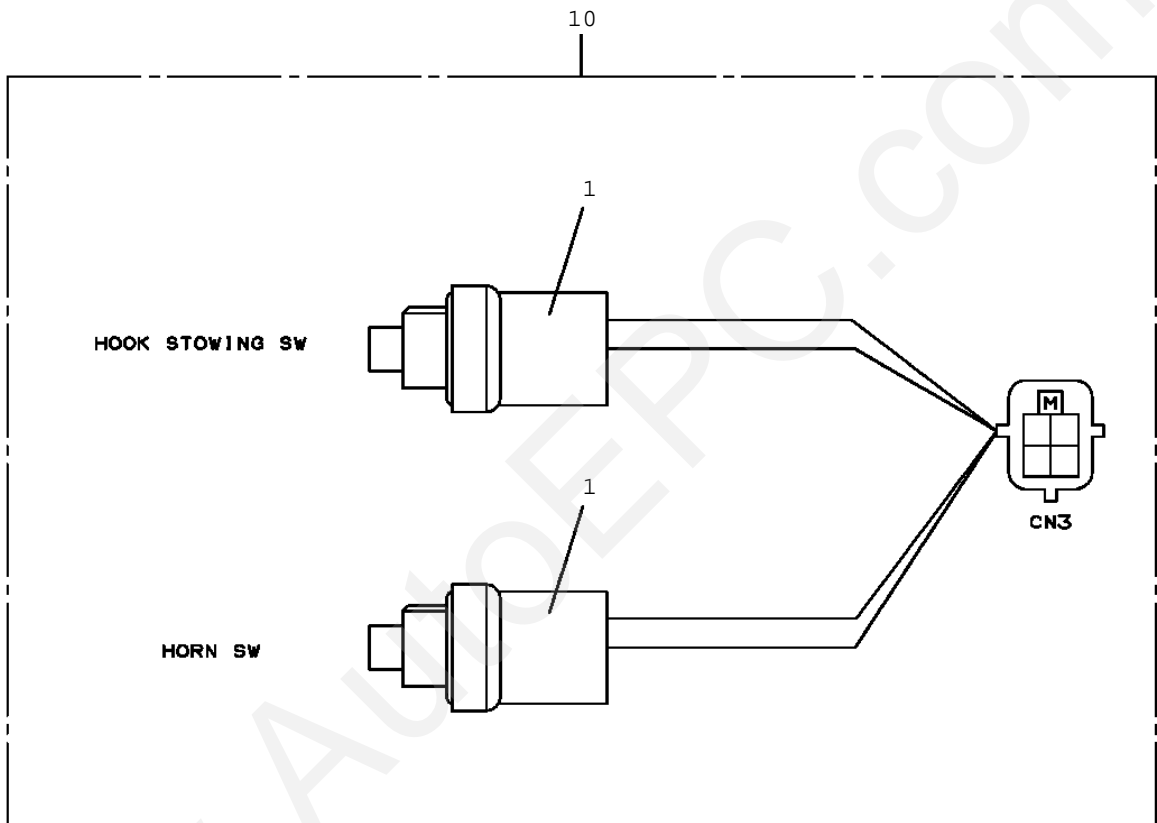


**TM-ZF360 41102210021A FRAME/SL,MANUAL**

Pos No.	Parts No	Parts Name	Qty	Unit	Technical Data	Serial No
1	82101429241	SWITCH,PUSH (GREEN)	2			
10	31651761400	SWITCH ASSY (GREEN: PANASONIC)	1			

www.AutoEPC.com

TM-ZF360 41102210021A FRAME/SL, MANUAL  
PS5530074-00 SWITCH ASSY (PLANTING:NACC)

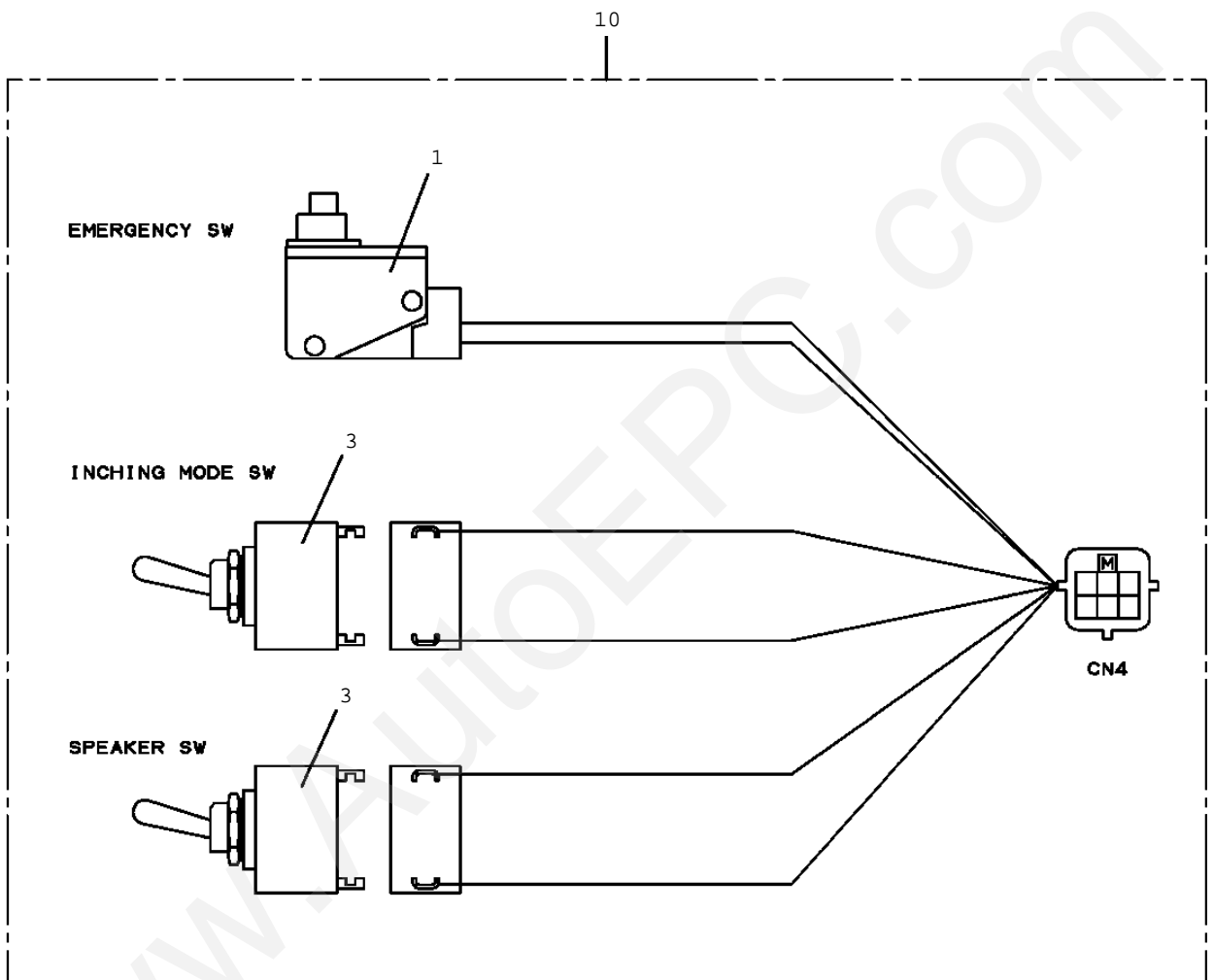




**TM-ZF360 41102210021A FRAME/SL,MANUAL**

Pos No.	Parts No	Parts Name	Qty	Unit	Technical Data	Serial No
1	82101940130	SWITCH,PUSH (3PJW106F-021-CC)	2			
10	31651761600	SWITCH ASSY (PLANTING:NACC)	1			

www.AutoEPC.com



**TM-ZF360 41102210021A FRAME/SL,MANUAL**

Pos No.	Parts No	Parts Name	Qty	Unit	Technical Data	Serial No
1	82101429241	SWITCH,PUSH (GREEN)	1			
3	82105410110	SWITCH,TOGGLE	2			
10	31651762500	SWITCH ASSY (GREEN:PANASONIC)	1			

www.AutoEPC.com

TM-ZF360 41102210021A FRAME/SL,MANUAL  
PV1010025-00 REMOTE CONTROL (KIT)

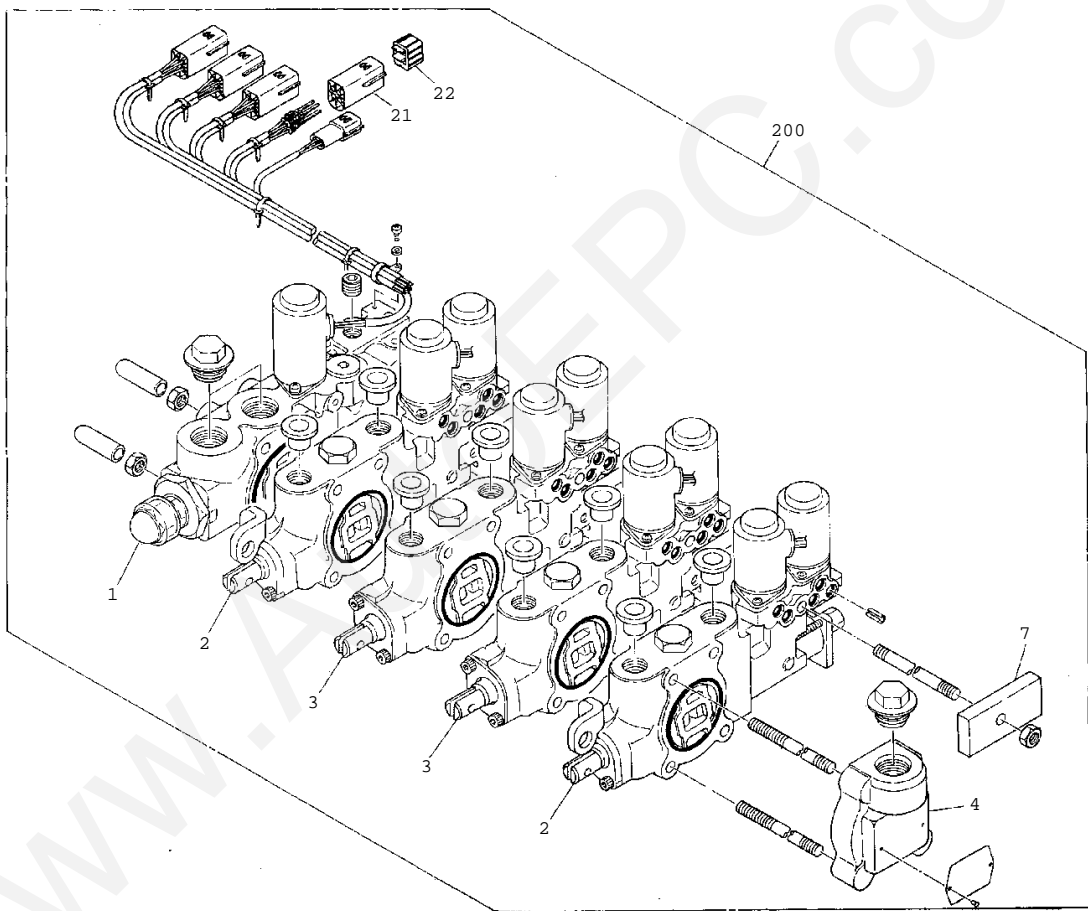
1	スイッチ ボックス SWITCH BOX
2	ステーイング ボックス STOWING BOX
3	ハイセンASSY ELEC.ASSY

**TM-ZF360 41102210021A FRAME/SL,MANUAL**

Pos No.	Parts No	Parts Name	Qty	Unit	Technical Data	Serial N
1	36800582001	SWITCH BOX	1			
2	(*****)	STOWING BOX (REMOTE CONTROL)	1			
3	(*****)	ELEC.ASSY (REMOTE CONTROL)	1			

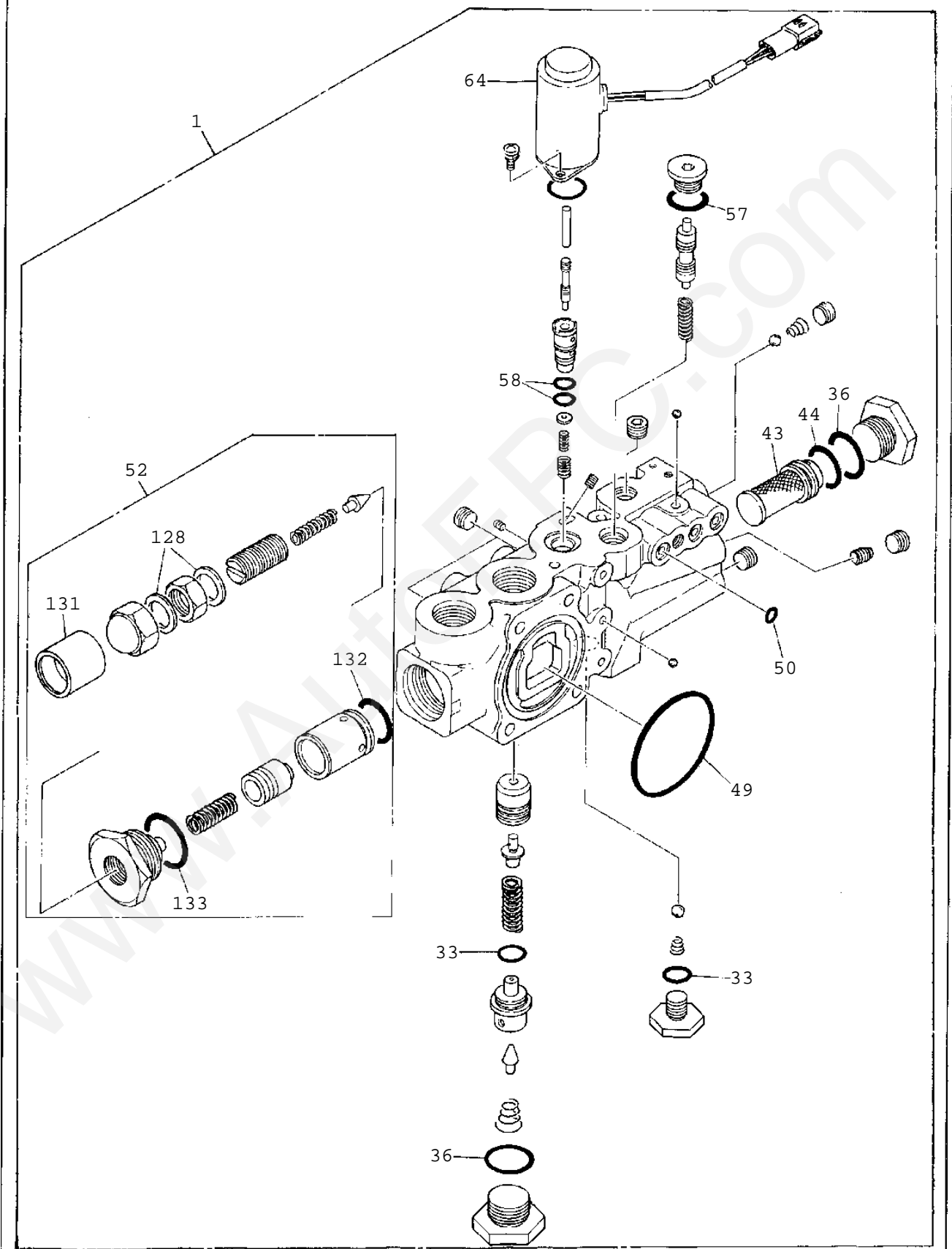
www.AutoEPC.com

TM-ZF360 41102210021A FRAME/SL, MANUAL  
PV1020077-00 VALVE, REMOTE CONTROL (SANWA)



TM-ZF360 41102210021A FRAME/SL, MANUAL  
PV1020077-00 VALVE, REMOTE CONTROL (SANWA)

Assembly Name VALVE, REMOTE CONTROL

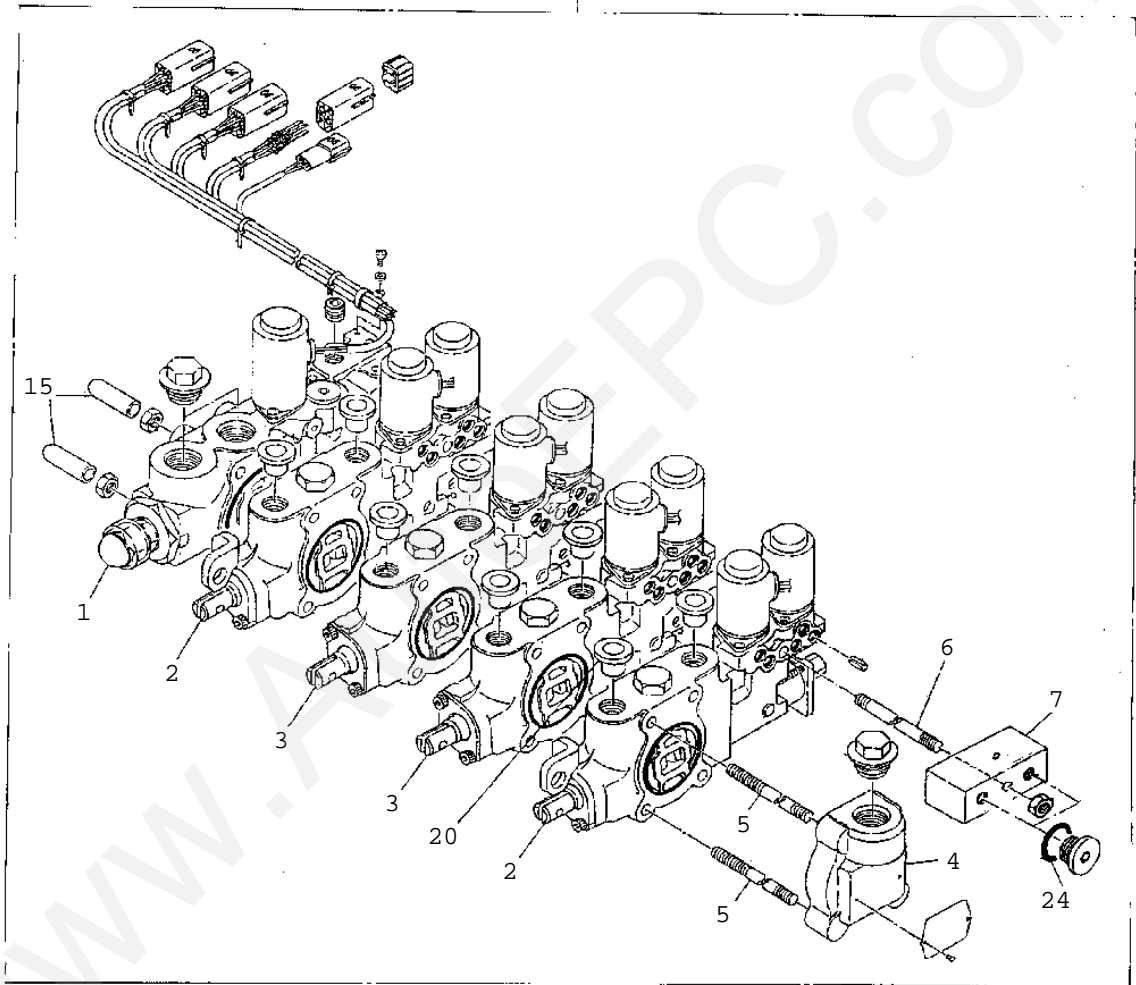




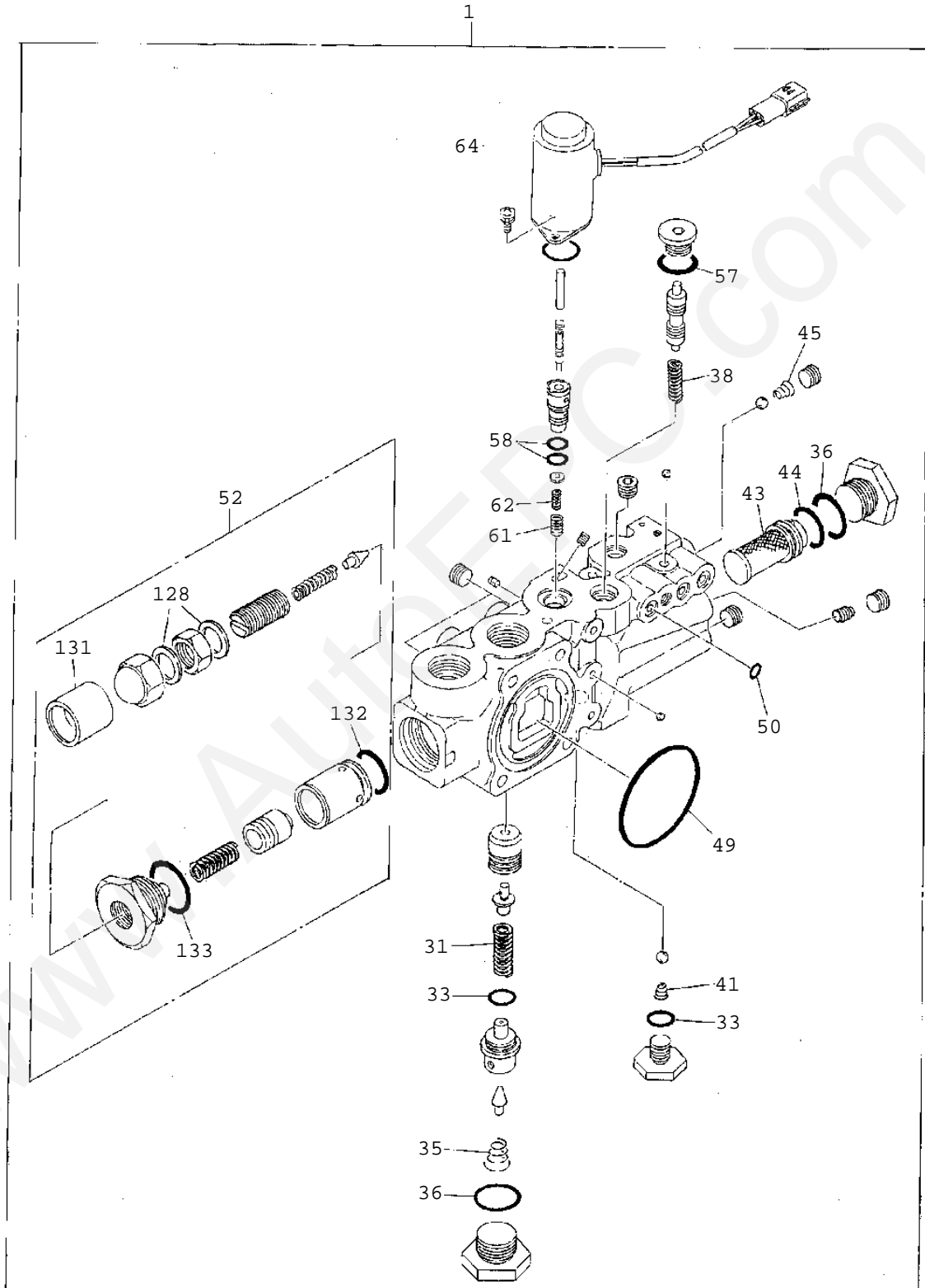


**TM-ZF360 41102210021A FRAME/SL,MANUAL**

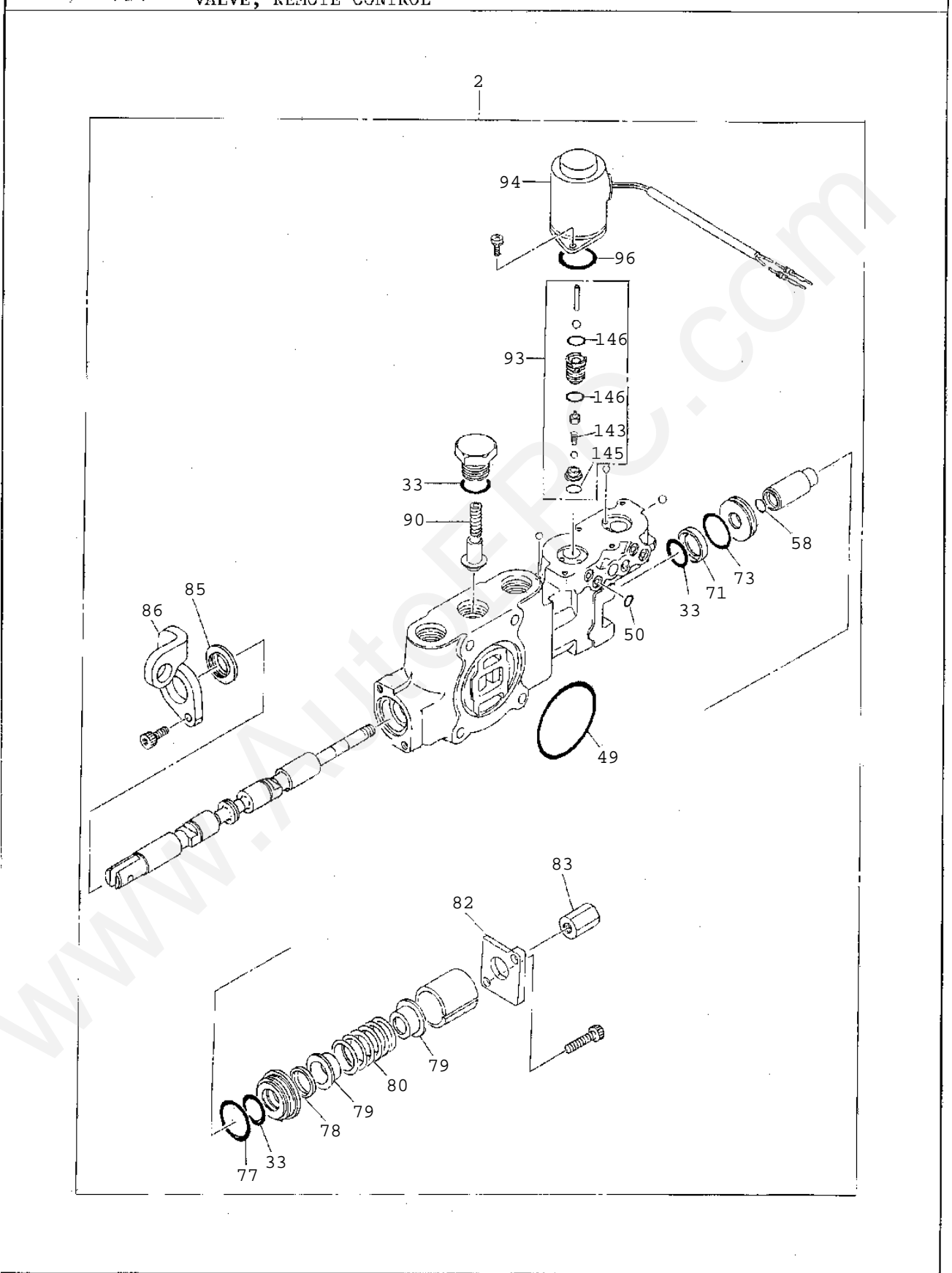
Pos No.	Parts No	Parts Name	Qty	Unit	Technical Data	Serial No
1	36645095010	COVER ASSY (FRONT)	1			
2	36645095020	VALVE (JACK)	2			
3	36645095030	VALVE (SLIDE)	2			
4	36645095040	COVER (BOTTOM)	1			
7	36644835060	COVER	1			
21	82114203040	CONNECTOR (CAP)	4			
22	82121502040	PLATE	4			
33	91001101400	O-RING	14		1A P14	
36	91001002600	O-RING	2		S26	
43	36640625240	FILTER	1			
44	91001001800	O-RING	2		S18	
49	91002905500	O-RING	5		1B G55	
50	91001100600	O-RING	23		1A P6	
52	36645095050	VALVE,RELIEF	1			
57	91001101100	O-RING	1		1A P11	
58	91001000800	O-RING	6		S8	
64	36645095060	SOLENOID ASSY	1			
73	91001102000	O-RING	4		1A P20	
77	91001002240	O-RING	4		S22.4	
78	91650001400	SCRAPER	4			
85	36633365100	SEAL,OIL	4			
94	36645095070	SOLENOID ASSY	8			
96	91001002200	O-RING	8		S22	
116	91001000900	O-RING	12		S9	
128	11629431040	PACKING	2			
131	16623320390	TUBE (SEAL)	1			
132	91002802100	O-RING	1		1B P21	
133	91001102600	O-RING	1		1A P26	
200	36645090000	VALVE,REMOTE CONTROL (SANWA)	1			



VALVE, REMOTE CONTROL

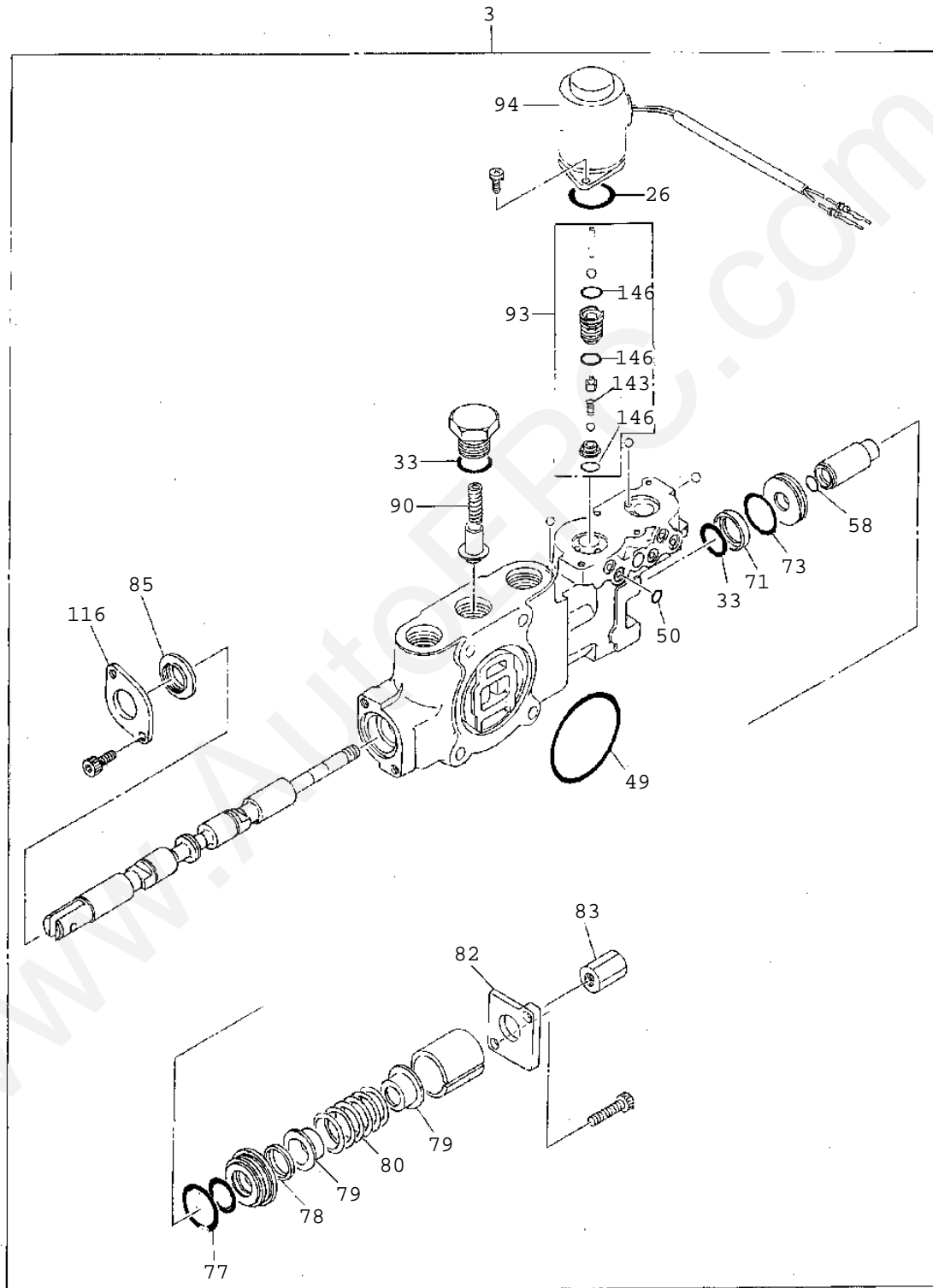


VALVE, REMOTE CONTROL



TM-ZF360 41102210021A FRAME/SL, MANUAL  
PV1020113-00 VALVE, REMOTE CONTROL (SANWA)

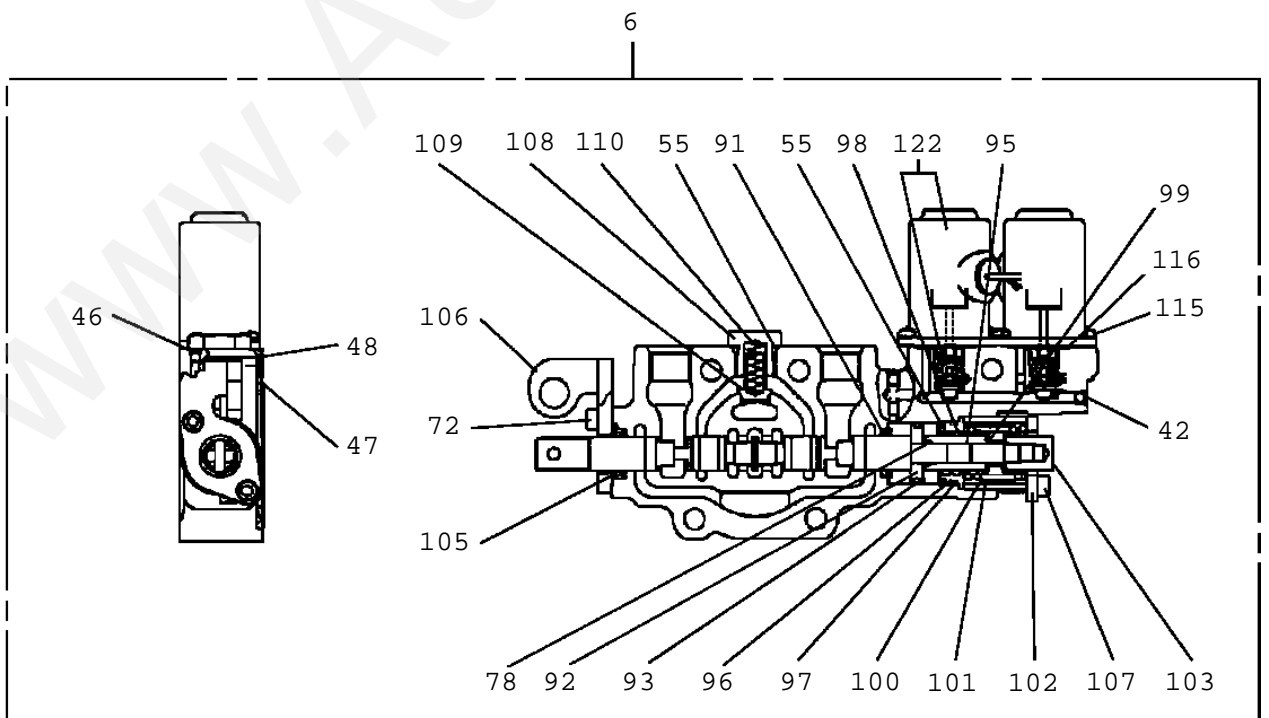
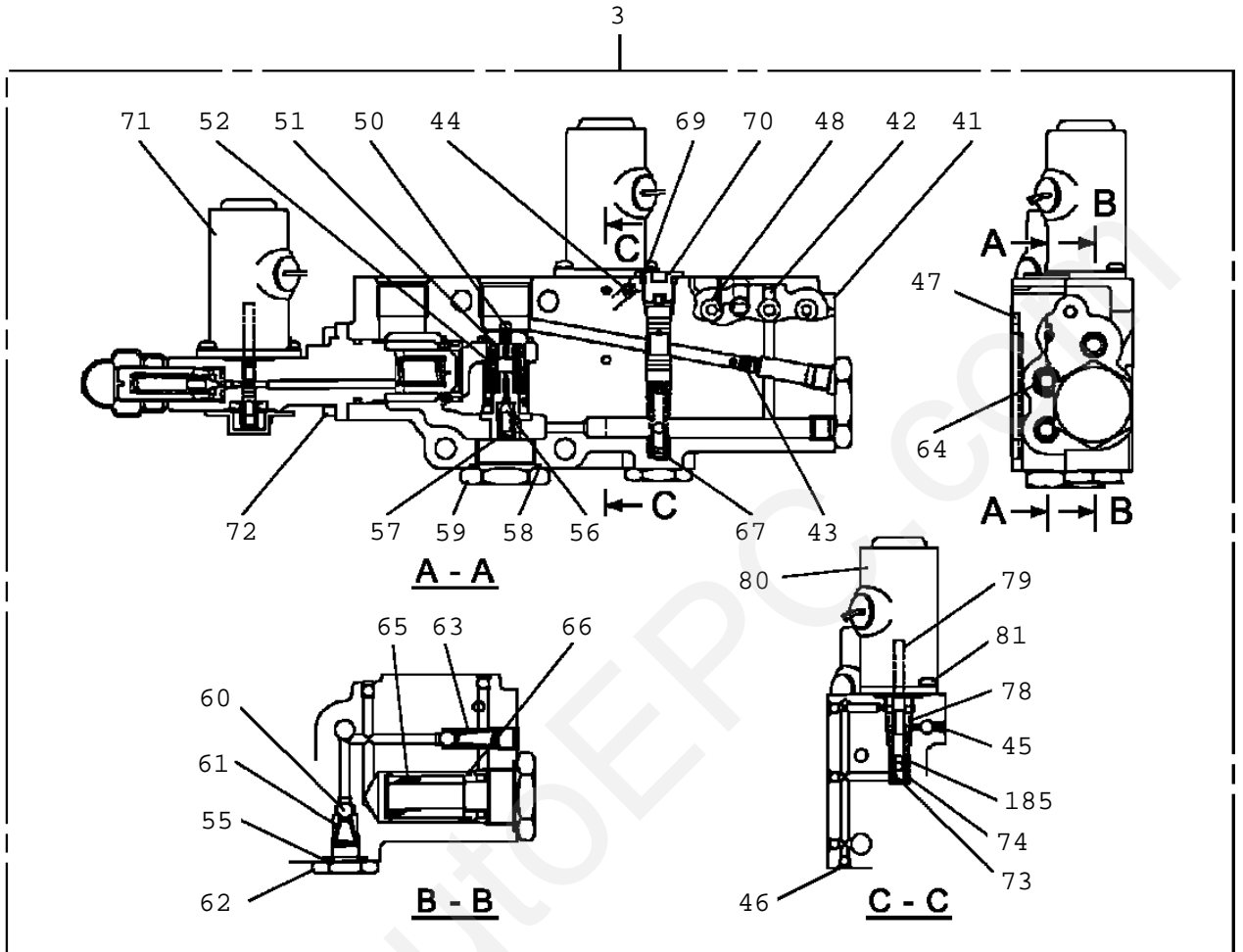
VALVE, REMOTE CONTROL



**TM-ZF360 41102210021A FRAME/SL,MANUAL**

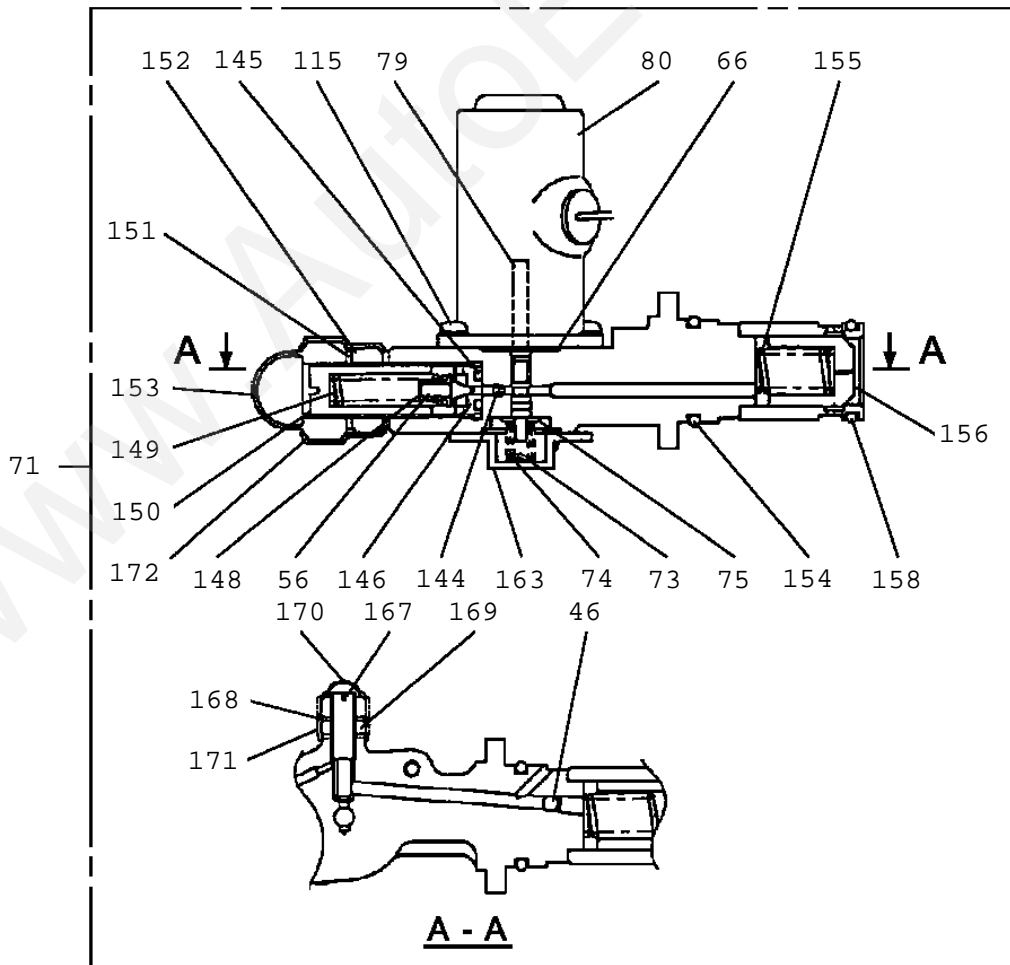
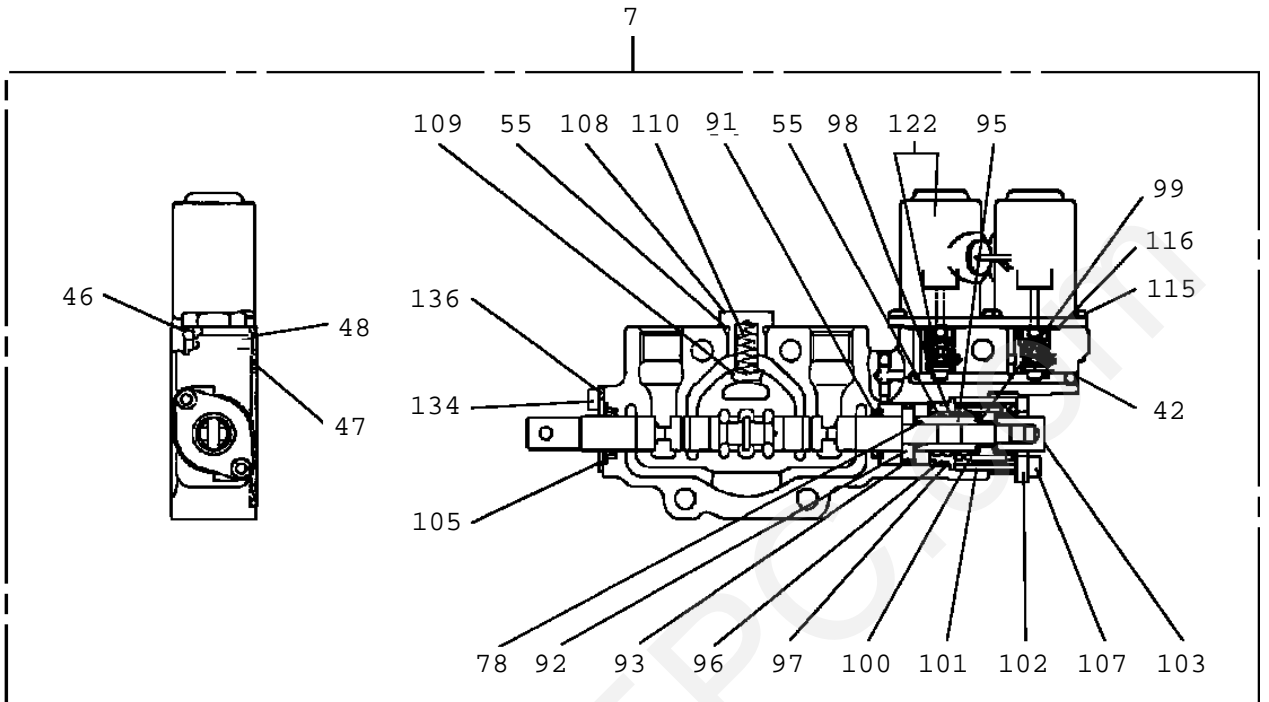
Pos No.	Parts No	Parts Name	Qty	Unit	Technical Data	Serial No
1	36645875020	COVER ASSY (FRONT)	1			
2	36645875030	VALVE,CONTROL (JACK)	2			
3	36645875041	VALVE,CONTROL (SLIDE)	2			EE4721
4	36645095040	COVER (BOTTOM)	1			
5	36645875070	BOLT,TIE	4			
6	36645875080	BOLT,TIE (C)	1			
7	36645495080	JOINT	1			
15	36640755070	CAP	4			
20	36635785090	SEAL,DUST	8		3/8	
24	91001101100	O-RING	2		1A P11	
31	36645875050	SPRING	1			
33	91001101400	O-RING	14		1A P14	
35	36640625191	SPRING	1			
36	91001002600	O-RING	2		S26	
38	36641075260	SPRING	1			
41	36640625220	SPRING	1			
43	36640625240	FILTER	1			
44	91001001800	O-RING	2		S18	
45	36640625260	SPRING	1			
49	91002905500	O-RING	5		1B G55	
50	91001100600	O-RING	23		1A P6	
52	36645095050	VALVE,RELIEF	1			
57	91001101100	O-RING	1		1A P11	
58	91001000800	O-RING	6		S8	
61	36635735130	SPRING (A)	1			
62	36635735140	SPRING (B)	1			
64	36645875060	VALVE,SOLENOID	1			
71	36640625310	BUSH	4			
73	91001102000	O-RING	4		1A P20	
77	91001002240	O-RING	4		S22.4	
78	91650001400	SCRAPER	4			
79	36645495210	SEAT,SPRING (RETURN)	8			
80	36645845060	SPRING (RETURN)	4			
82	36640625550	PLATE (D)	4			
83	36633365070	ADAPTER	4			
85	36633365100	SEAL,OIL	4			
86	36645845050	LINK	2			
90	12635101190	SPRING	4			
93	36646225040	VALVE,SOLENOID	8			
94	36645875010	SOLENOID ASSY	8			
96	91001002200	O-RING	8		S22	
116	36633365060	PLATE (B)	2			
128	11629431040	PACKING	2			
131	16623320390	TUBE (SEAL)	1			
132	91002802100	O-RING	1		1B P21	
133	91001102600	O-RING	1		1A P26	
143	36646225050	SPRING	8			
146	91001000900	O-RING	24		S9	
200	36645870000	VALVE,REMOTE CONTROL (SANWA)	1			







TM-ZF360 41102210021A FRAME/SL, MANUAL  
PV1020163-02 VALVE, REMOTE CONTROL (SANWA)



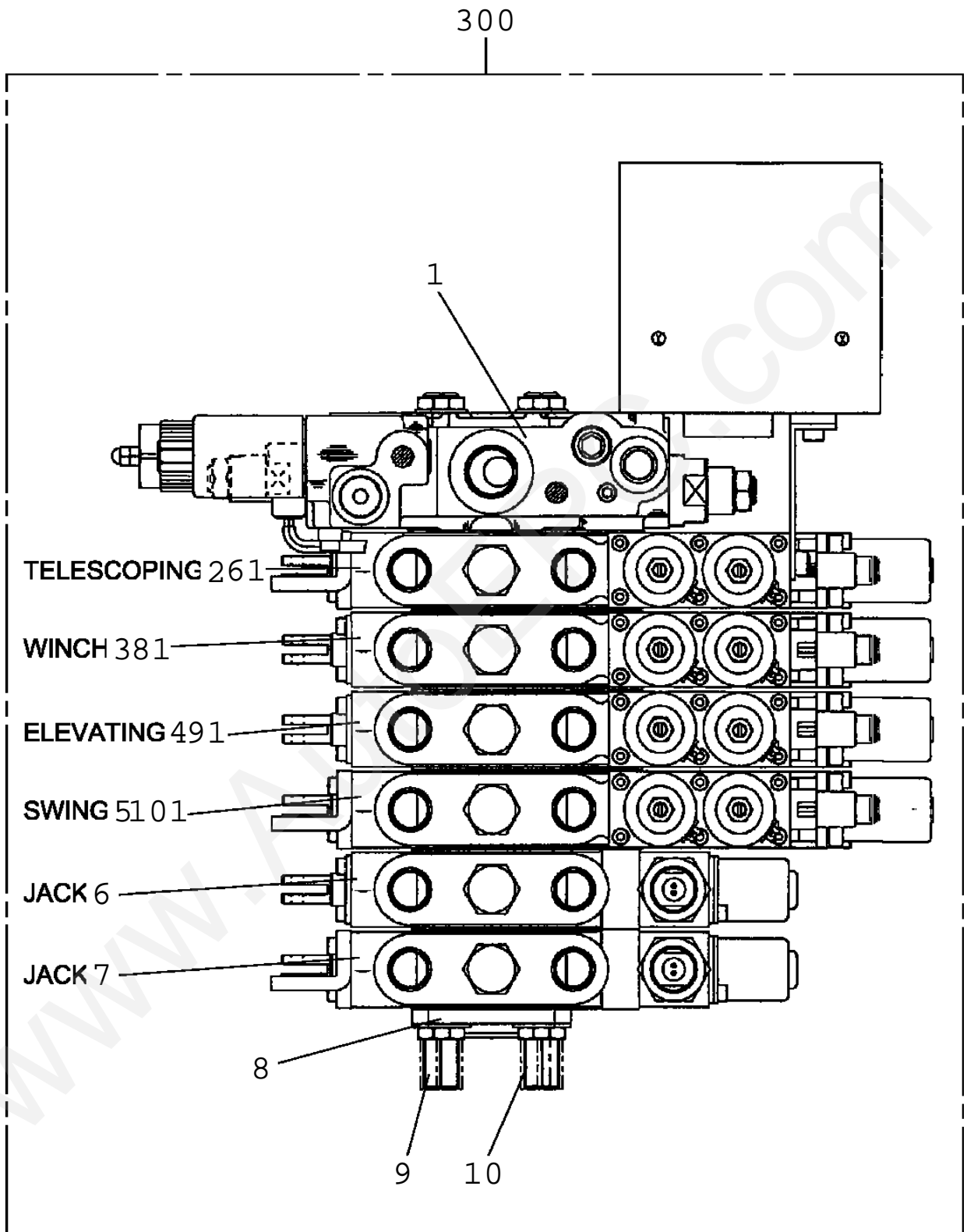
**TM-ZF360 41102210021A FRAME/SL,MANUAL**

Pos No.	Parts No	Parts Name	Qty	Unit	Technical Data	Serial No
1	36645875070	BOLT,TIE	4			
2	90201200800	NUT	4		M8	
3	36648230030	COVER ASSY	1			
4	80316030040	PLUG	1		PT1/4	
5	36645875080	BOLT,TIE (C)	1			
6	36647055030	VALVE,CONTROL	2			
7	36647055040	VALVE,CONTROL	2			
8	36645095040	COVER (BOTTOM)	1			
9	80720104012	PIN,SPRING	1		4X12	
10	36645495080	JOINT	1			
11	90203200800	NUT	1		M8	
14	36647055060	HARNES ASSY (GND)	1			
15	36644015110	CONNECTOR	2			
16	36644015130	TUBE	2			
17	11615111410	BAND	4			
18	36646515060	CONNECTOR	1			
19	36646515070	PLATE	1			
20	36646555020	CONNECTOR (M-8P)	1			
21	36646555030	PLATE	1			
22	36740765040	BAND	3			
23	36646875090	TUBE	4		10B	
24	36645405060	TUBE	1			
25	36062635030	FASTENER	3			
26	90303070401	WASHER,PLAIN	2		4	
28	80172104010	SCREW,MACHINE	1		M4X10	
29	36062635050	TUBE,CORRUGATE	1		10	
30	36645615090	PROTECTOR	3			
31	36645615200	PACKING	8			
32	36645615190	PLUG (DUST)	8			
33	91001101100	O-RING	2		1A P11	
34	36644115130	PLUG	2			
35	36640755070	CAP	4			
42	36648375020	BALL,STEEL	6		3/16	
	36648375020	BALL,STEEL	6		3/16	
46	36648375030	BALL,STEEL	4		5/32	
	36648375030	BALL,STEEL	4		5/32	
47	91002905500	O-RING	5		1B G55	
48	91001100600	O-RING	23		1A P6	
50	36647055100	SEAT	1			
51	36647055110	SPRING (A)	1			
52	36647055120	SPRING (B)	1			
55	91001101400	O-RING	14		1A P14	
57	36647055140	SPRING	1			
58	91001002600	O-RING	2		S26	
59	36640625710	PLUG	2			
60	80560057000	BALL,STEEL	2		1/4	
61	36640625220	SPRING	1			
62	36640625210	CAP	1			
63	36640625260	SPRING	1			
64	80316030020	PLUG	6		PT1/8	
65	36640625240	FILTER	1			
66	91001001800	O-RING	4		S18	
67	36641075260	SPRING	1			
69	91001101100	O-RING	1		1A P11	
70	36647055150	PLUG	1			
71	36648230070	VALVE ASSY,RELIEF	1			
72	36645615230	C-BOLT	8		5X12	
73	36635735140	SPRING (B)	2			
74	36635735130	SPRING (A)	2			
75	36646865160	SEAT,SPRING	1			
78	91001000800	O-RING	6		S8	
79	36646865170	ROD,PUSH	2		8	
80	36647055170	SOLENOID ASSY	2			
91	36640625310	BUSH	2			
	36640625310	BUSH	2			
92	36646865190	PISTON	4			
93	91001102000	O-RING	4		1A P20	
95	36646865200	SPOOL (SUB)	4			
96	36640625360	FLANGE	2			
	36640625360	FLANGE	2			
	36648365110	FLANGE	2			
97	91001002240	O-RING	4		S22.4	
98	91650001400	SCRAPER	4			
99	36645495210	SEAT,SPRING (RETURN)	8			

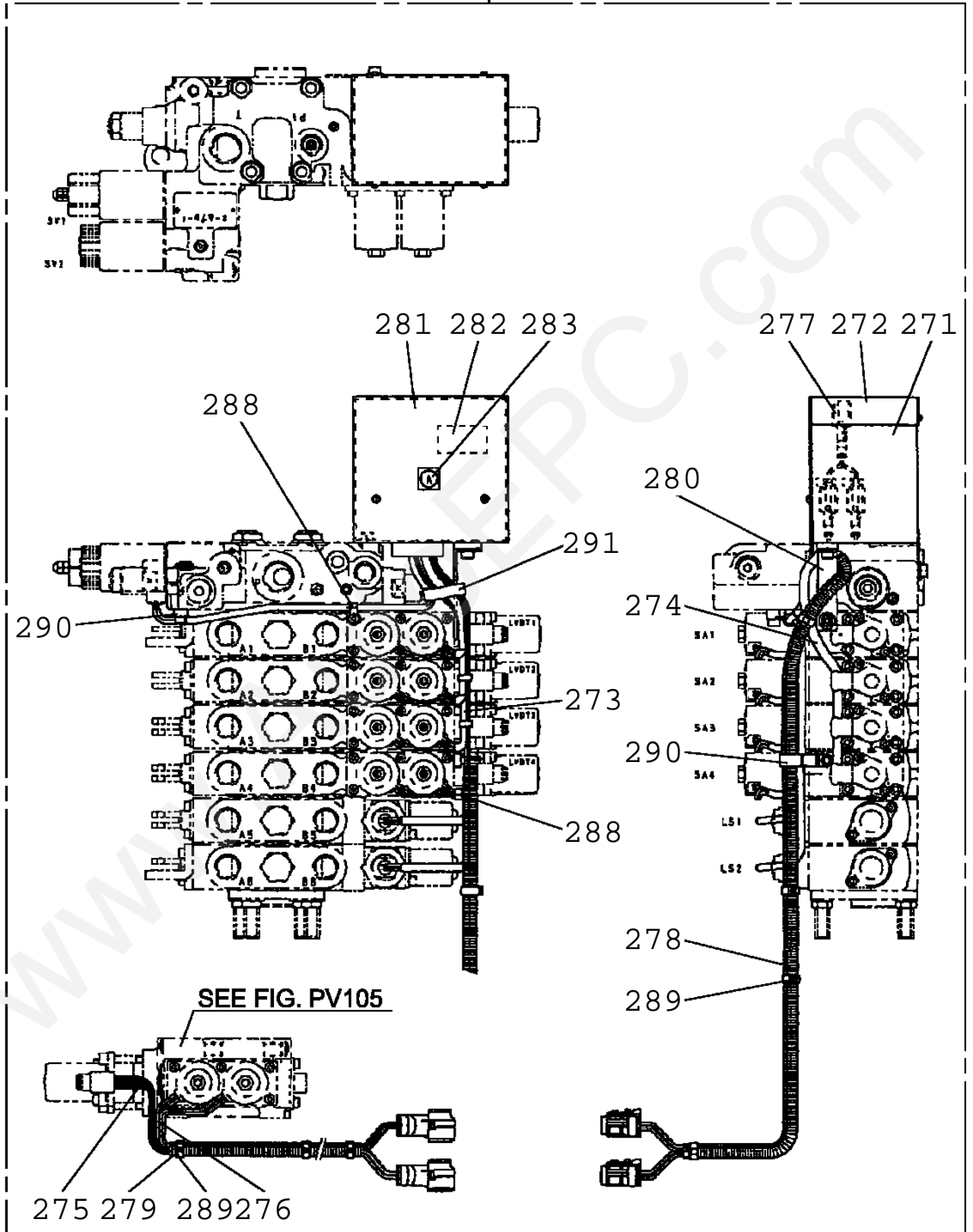
EP2621

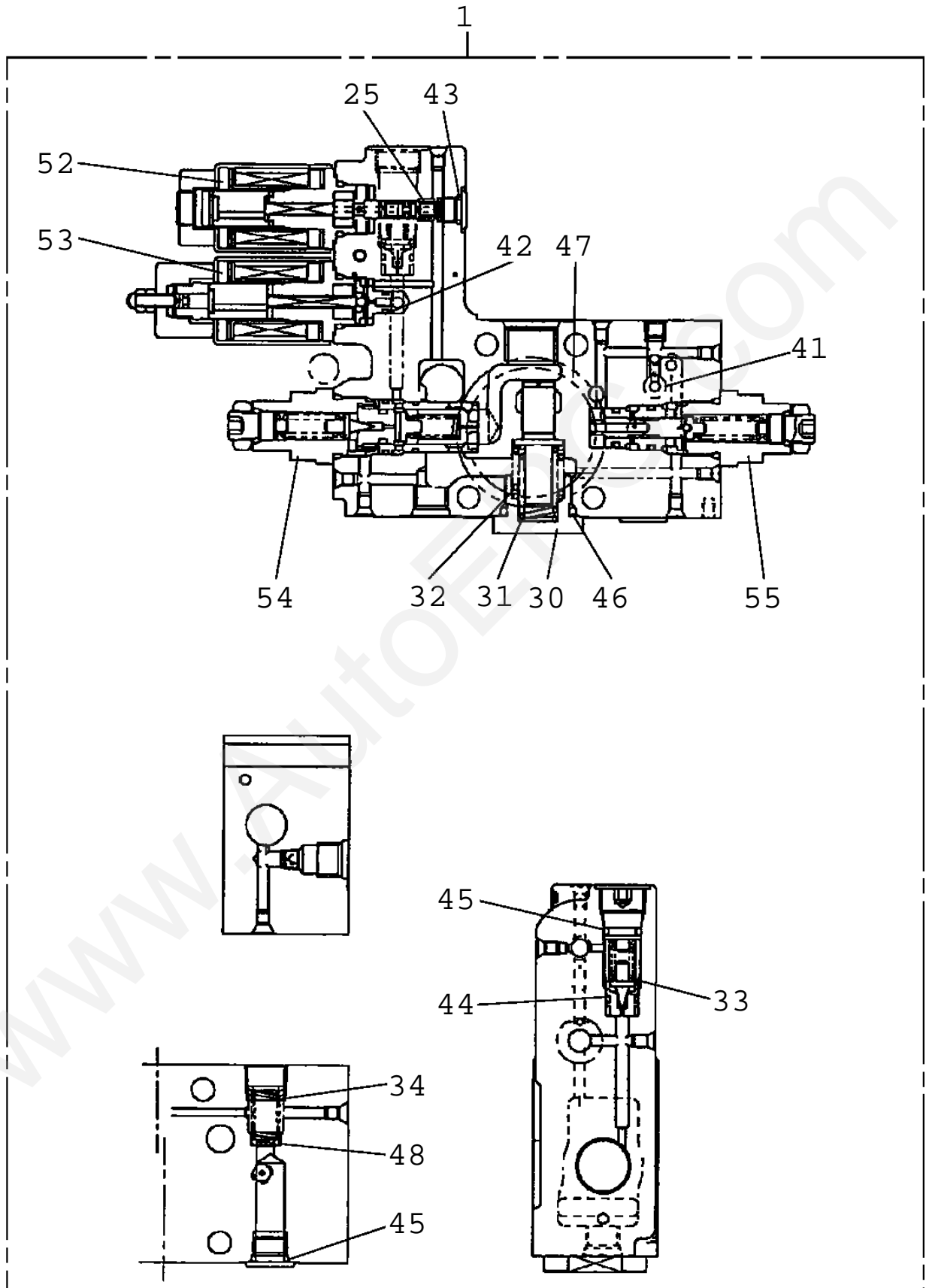
**TM-ZF360 41102210021A FRAME/SL,MANUAL**

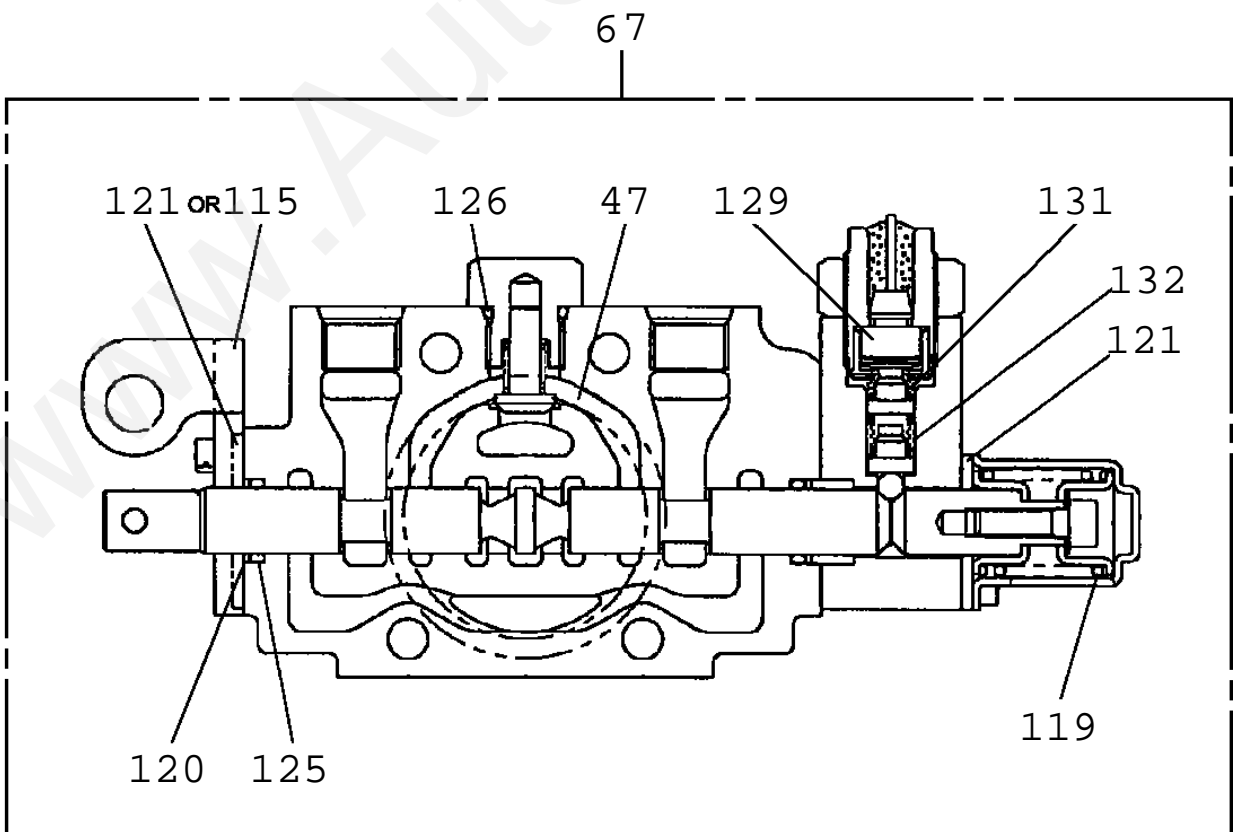
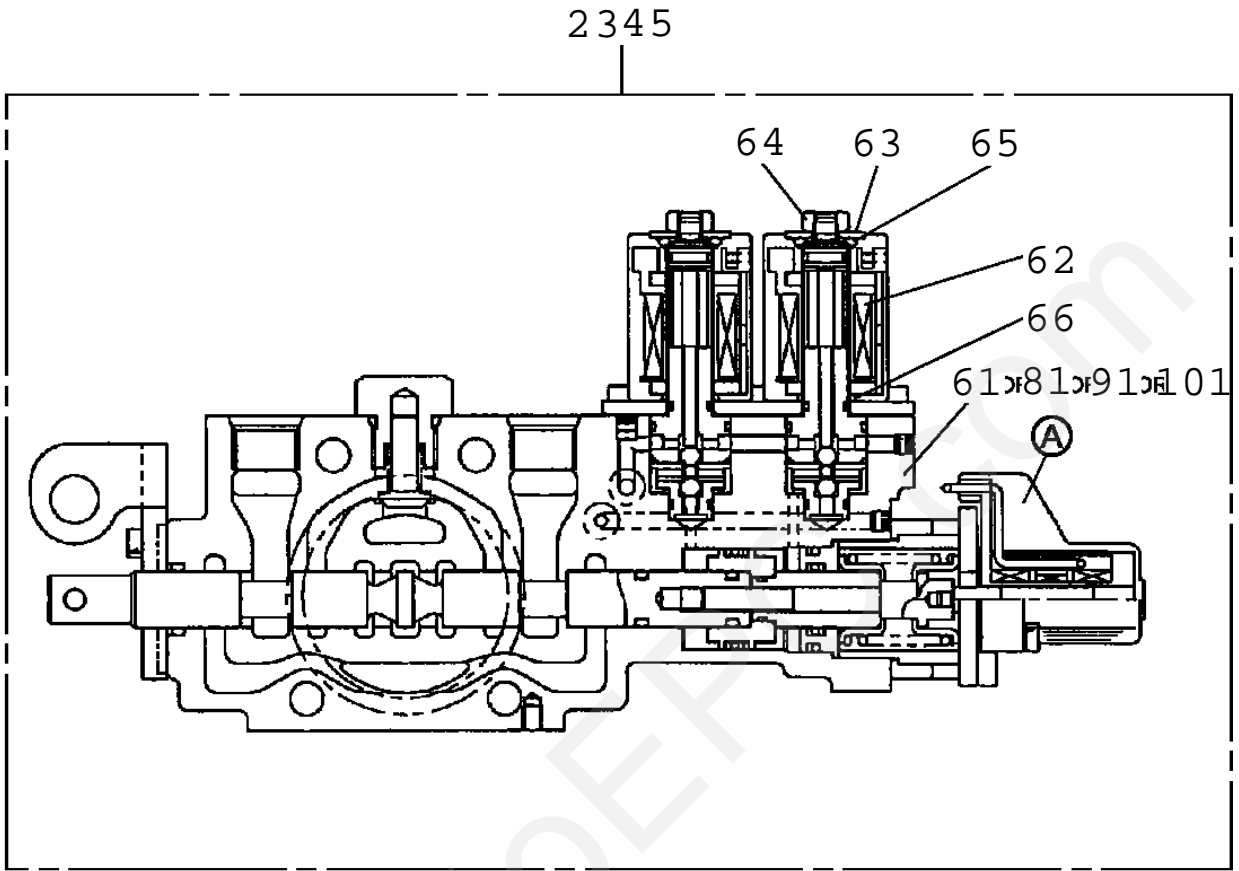
Pos No.	Parts No	Parts Name	Qty	Unit	Technical Data	Serial No
100	36645845060	SPRING (RETURN)	4			
101	36646865210	SPACER	4			
102	36640625550	PLATE (D)	4			
103	36633365070	ADAPTER	4			
105	36633365100	SEAL,OIL	4			
106	36645845050	LINK	2			
107	36645615250	C-BOLT	8		M5X25	
108	36633365090	CAP (CHECK VALVE)	4			
109	12635101360	SPOOL	4			
110	12635101190	SPRING	4			
115	80172104010	SCREW,MACHINE	16		M4X10	
116	91001002200	O-RING	8		S22	
122	36647055180	VALVE,SOLENOID (KIT)	8			
134	36645615260	C-BOLT	4		M5X8	
136	36633365060	PLATE (B)	2			
144	36646875150	ORIFICE	1		M3	
145	91002800700	O-RING	1		1B P7	
148	36647175100	SEAT,SPRING	1			
149	36635735120	SPRING	1			
150	12635101130	SCREW (ADJUSTING)	1			
151	11629431040	PACKING	2			
152	36646575090	NUT	1			
153	36630195030	NUT,CAP	1			
154	91001102200	O-RING	1		1A P22	
155	12635101110	SPRING (RETURN)	1			
158	91002802100	O-RING	1		1B P21	
163	36646865150	COVER (FOR SOLENOID)	1			
167	36640735130	PLUG	1		M6	
168	36642065070	WASHER,SEAL	2			
169	90203200600	NUT	1		M6	
170	36640735140	NUT,CAP	1		M6	
171	36640625680	TUBE (SEAL)	1			
172	16623320390	TUBE (SEAL)	1			
185	36647055160	SEAT,SPRING	1			
200	36646550000	VALVE,REMOTE CONTROL (SANWA)	1			



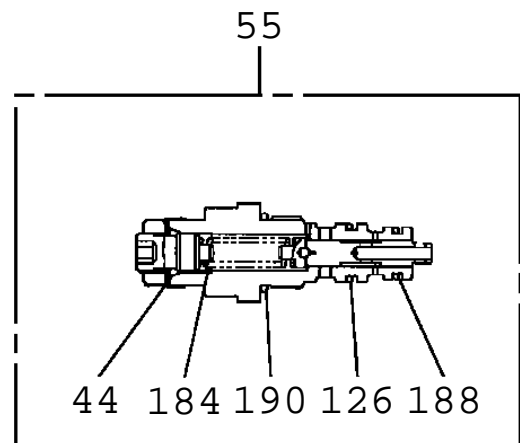
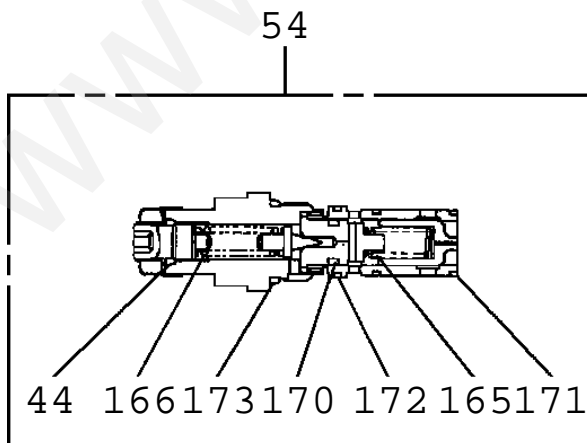
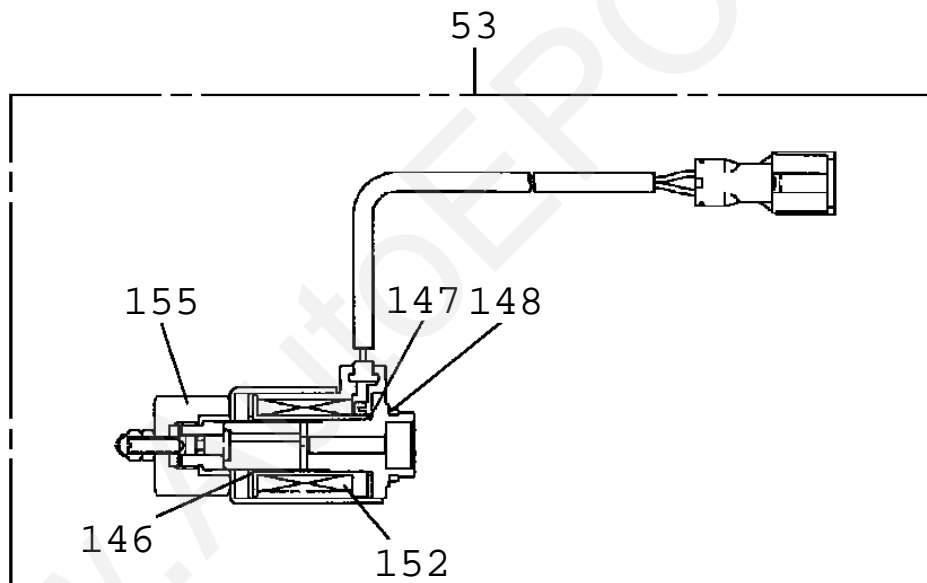
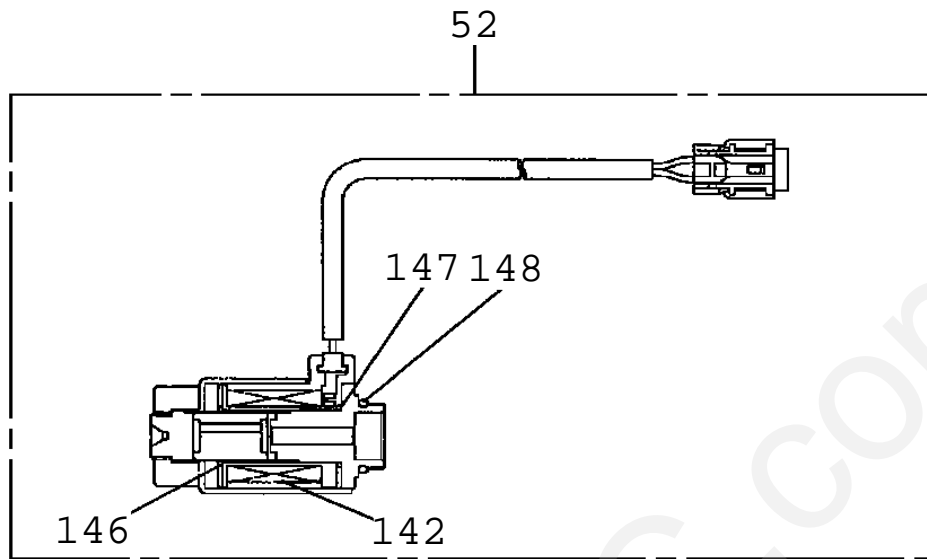
300





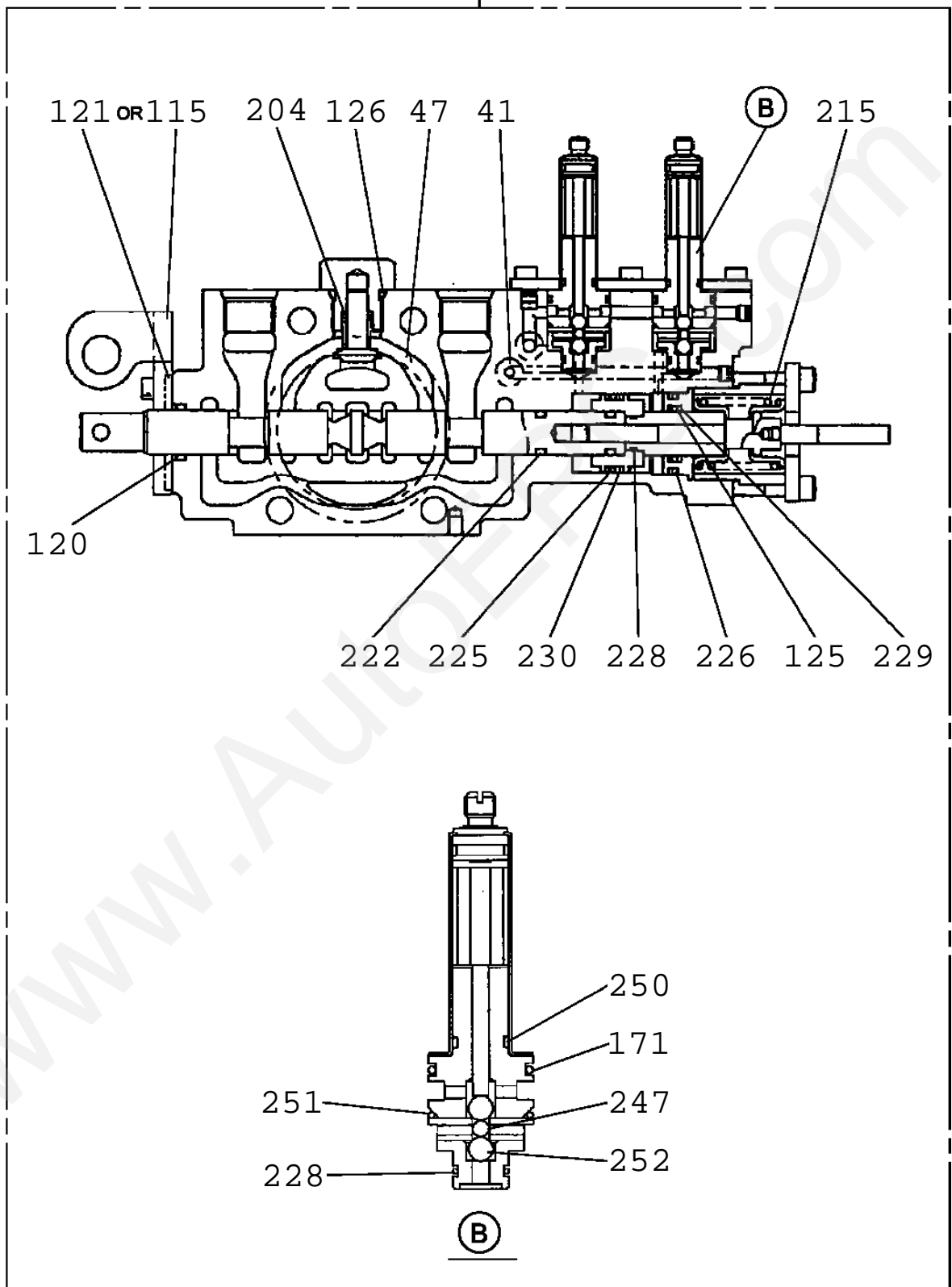


TM-ZF360 41102210021A FRAME/SL, MANUAL  
PV1020230-03 VALVE, REMOTE CONTROL (NACHI)

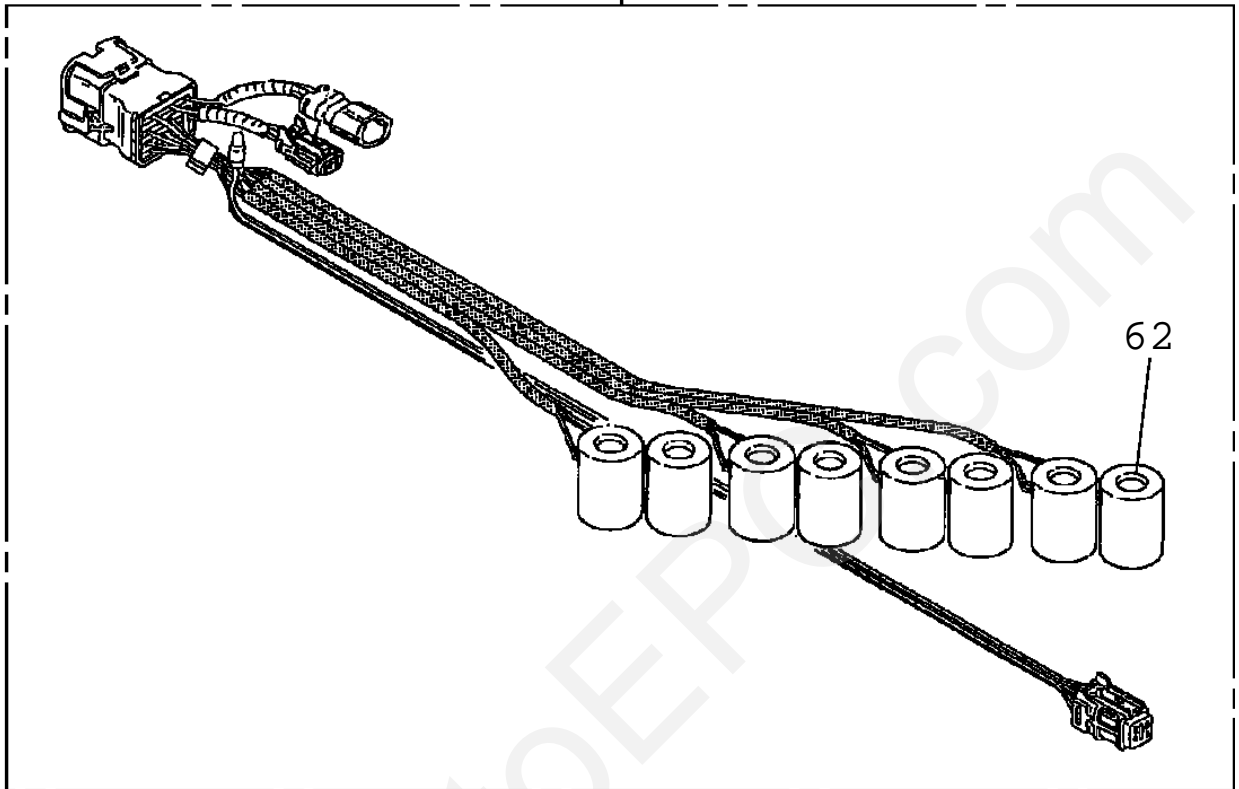




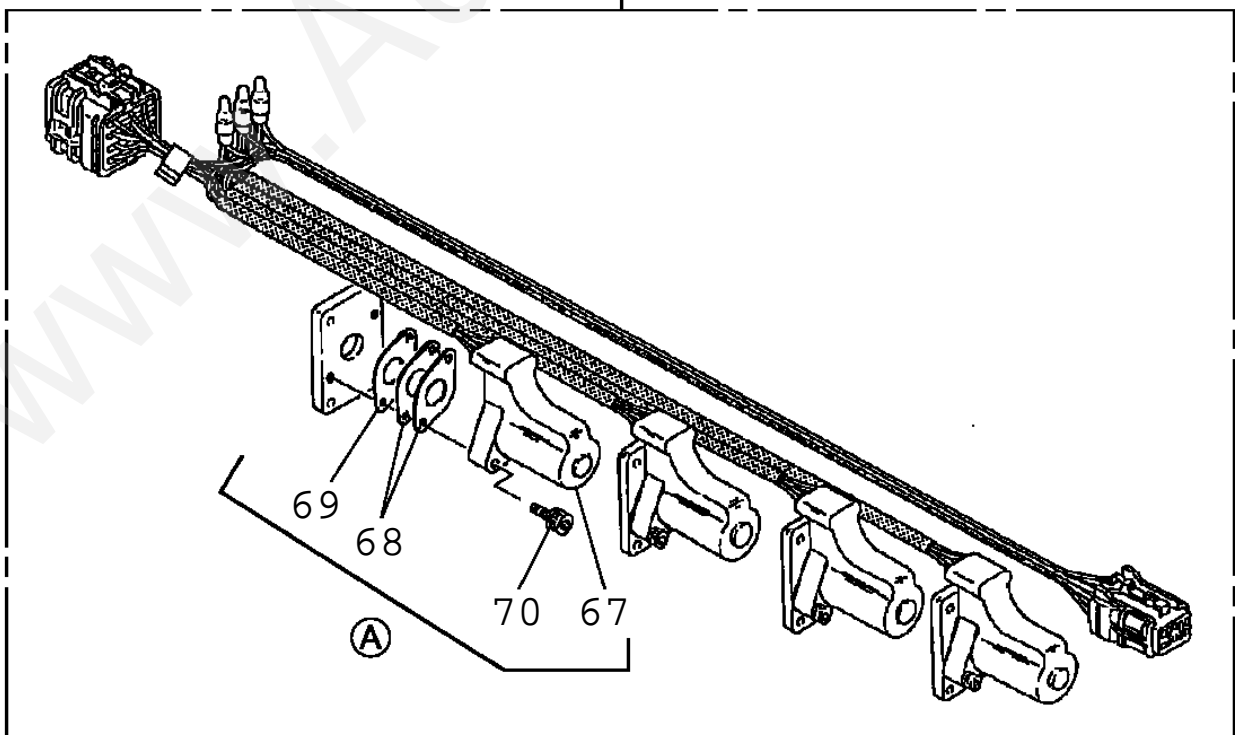
618191101

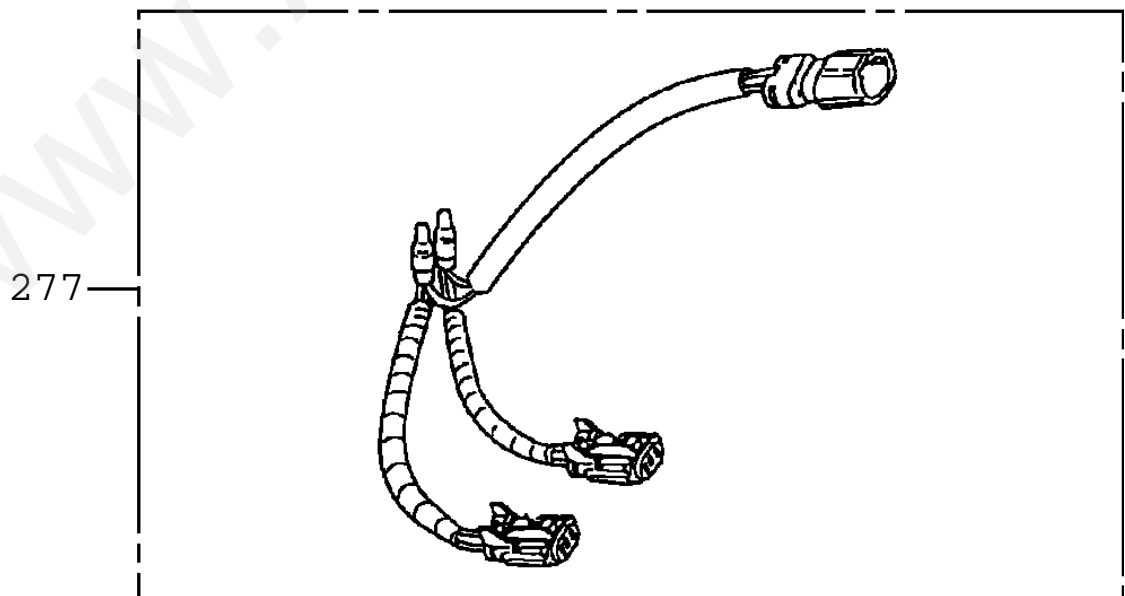
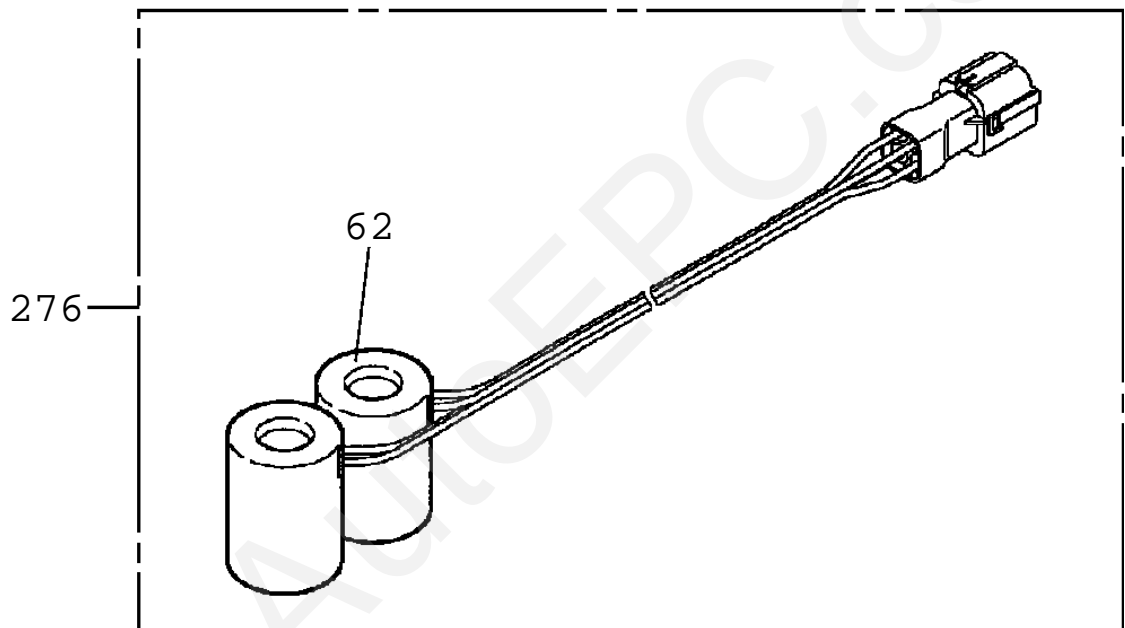
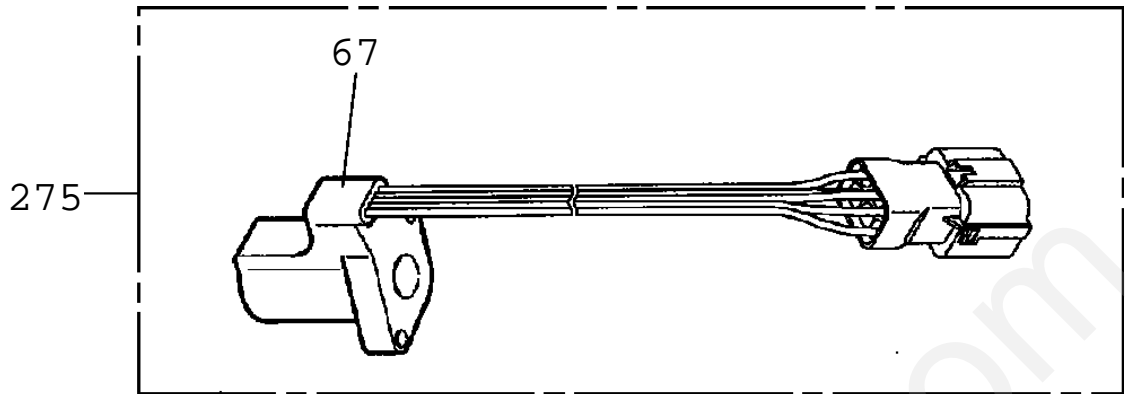


273



274



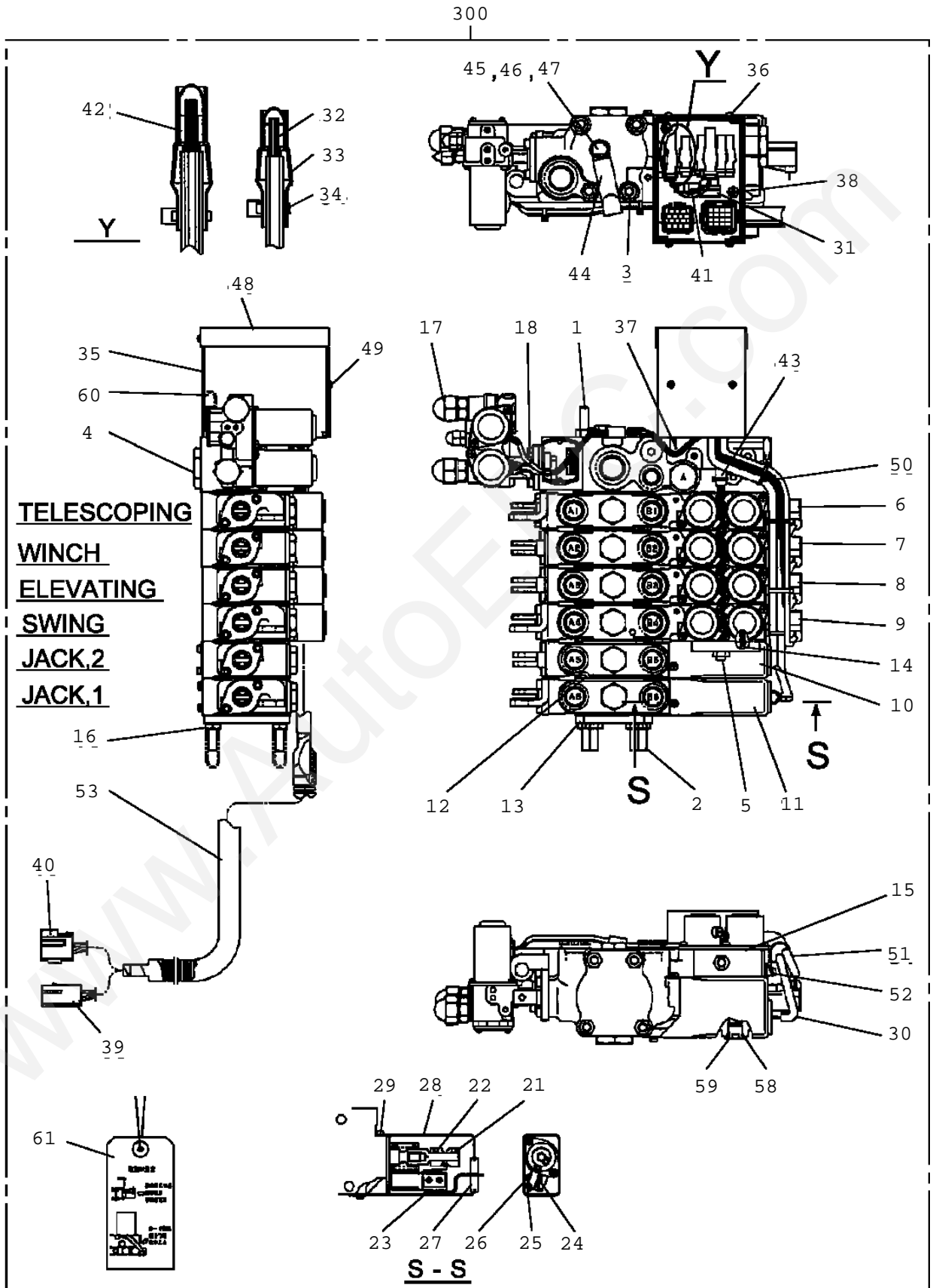


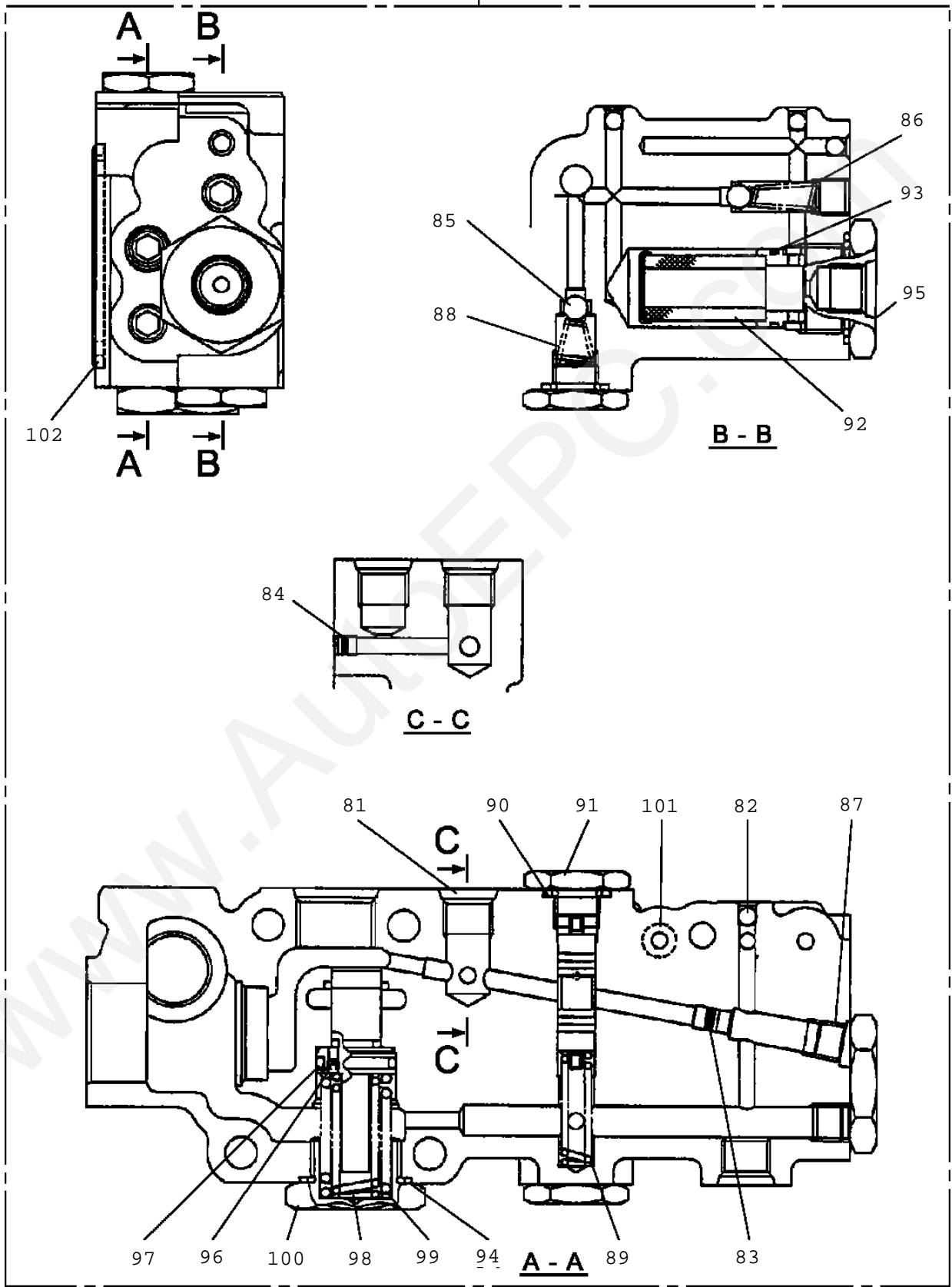
**TM-ZF360 41102210021A FRAME/SL,MANUAL**

Pos No.	Parts No	Parts Name	Qty	Unit	Technical Data	Ser
1	36647985010	BLOCK,R.G.B.	1			
2	36647985020	VALVE,CONTROL (TELESCOP/WITH COIL)	1			
3	36647985030	VALVE,CONTROL (WINCH/WITH COIL)	1			
4	36647985040	VALVE,CONTROL (ELEVATING/WITH COIL)	1			
5	36647985050	VALVE,CONTROL (SWING,WITH COIL)	1			
	36647985051	VALVE,CONTROL (SWING,WITH COIL)	1			
6	36647985060	VALVE,CONTROL (JACK)	1			EP1
7	36647985070	VALVE,CONTROL (JACK)	1			
8	36642415490	PLATE	1			
9	36647985080	BOLT,TIE	4			
10	36646285060	CAP	4			
25	36647985090	SPRING	1			
30	36644795100	CAP	1			
31	36647285170	SPRING (A)	1			
32	36646165070	SPRING (B)	1			
33	36644795041	SPRING	1			
34	70320127630	SPRING	1			
41	91001100600	O-RING	10		1A P6	
42	91002800600	O-RING	1		1B P6	
43	91002800800	O-RING	1		1B P8	
44	91002801000	O-RING	3		1B P10	
45	91002801100	O-RING	2		1B P11	
46	91002802500	O-RING	1		1B P25	
47	91001205500	O-RING	7		1A G55	
48	36647285010	FILTER	1			
52	36647985100	SOLENOID KIT (FOR LOW PRESSURE)	1			
53	36647985110	SOLENOID KIT (FOR UNLOAD)	1			
54	36644795031	VALVE,RELIEF	1			
55	36642415151	VALVE,REDUCING	1			
61	36647985150	VALVE,CONTROL (TELESCOPING)	1			
62	36647985160	COIL,SOLENOID	8			
63	36647645050	WASHER	8			
64	36647645060	NUT	8			
65	91001101100	O-RING	8		1A P11	
66	91001001200	O-RING	8		1A S12	
67	36647985170	COIL	4			
68	36642415300	SHIM (T=0.5)	8			
69	36642415310	SHIM (T=0.2)	8			
70	36062605020	BOLT,HEXAGON SOCKET(WITH WASHER)	8		M4X15	
81	36647985180	VALVE,CONTROL (WINCH)	1			
91	36647985190	VALVE,CONTROL (ELEVATING)	1			
101	36647985200	VALVE,CONTROL (SWING)	1			
	36647985201	VALVE,CONTROL (SWING)	1			EP1
115	36645605110	PLATE (FULCRUM)	3			
119	36642415340	SPRING	2			
120	36642415220	RING,BACKUP	8			
121	36642415320	PLATE	5			
125	91001101400	O-RING	12		1A P14	
126	91002801400	O-RING	7		1B P14	
129	36645155160	SWITCH ASSY	2			
131	36645155170	SPRING (A)	2			
132	36645155180	SPRING (B)	2			
142	36647985120	COIL,SOLENOID	1			
146	91001001500	O-RING	2		1A S15	
147	91001001600	O-RING	2		1A S16	
148	91001101800	O-RING	2		1A P18	
152	36647985130	COIL,SOLENOID	1			
155	36647985140	LOCK ASSY	1			
165	36642415160	SPRING	1			
166	36647285390	SPRING	1			
170	91002801001	O-RING	1		1B P10A	
171	91000501700	O-RING	10			
172	91000501800	O-RING	1		ARP568-018	
173	91002802200	O-RING	1		1B P22	
184	36647985350	SPRING	1			
188	91002801200	O-RING	1		1B P12	
190	91002802000	O-RING	1		1B P20	
204	36642415330	SPRING	3			
215	36642415210	SPRING	4			
222	91001101001	O-RING	8		1A P10A	
225	91001102100	O-RING	4		1A P21	
226	91001102200	O-RING	4		1A P22	
228	91001000900	O-RING	9		S9	
	91001000900	O-RING	3		S9	

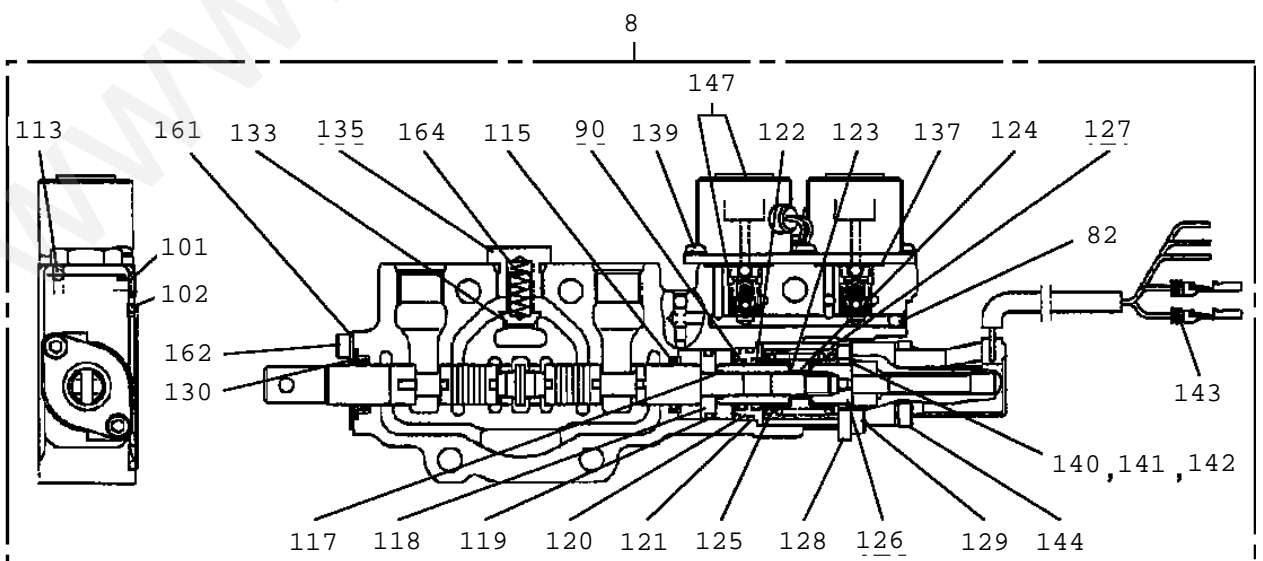
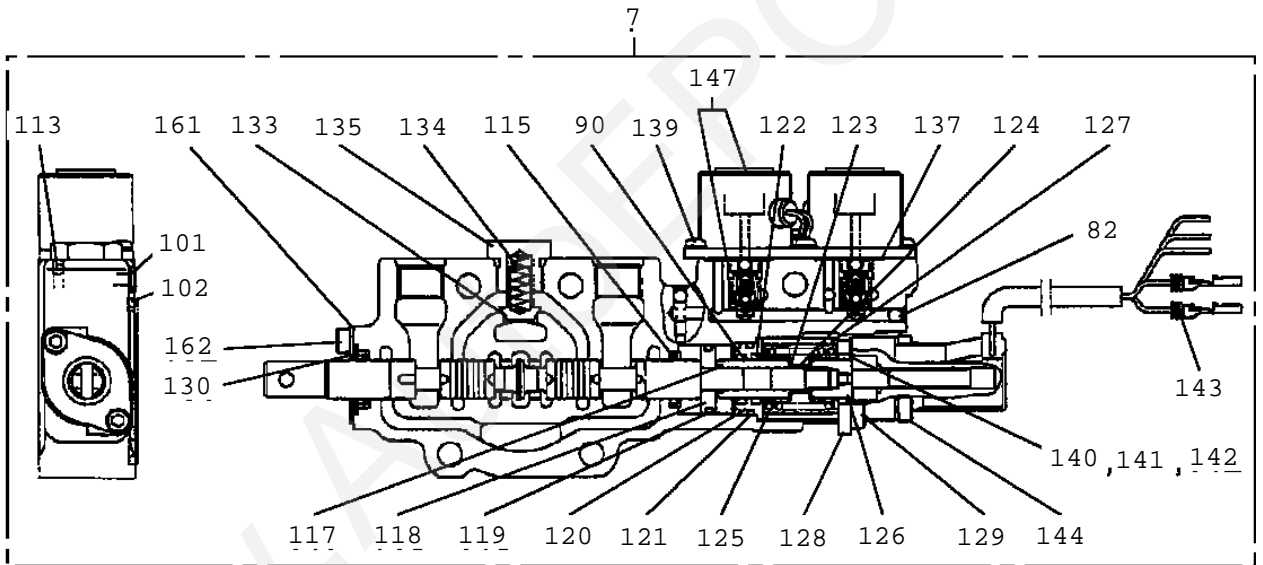
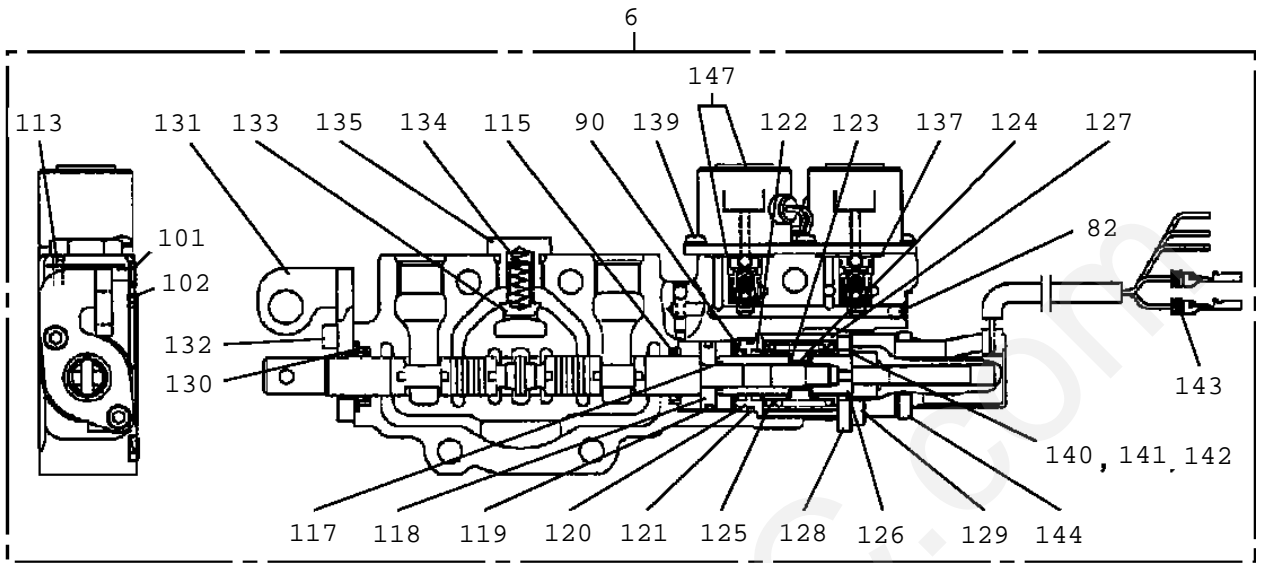
**TM-ZF360 41102210021A FRAME/SL,MANUAL**

Pos No.	Parts No	Parts Name	Qty	Unit	Technical Data	Ser
228	91001000900	O-RING	3		S9	EP1
229	91411001400	RING, BACKUP	4		P14	
230	91411002100	RING, BACKUP	8		P21	
247	36647285340	BALL, STEEL	8			
250	36647285350	O-RING	8			
251	91001001800	O-RING	8		S18	
252	80560055000	BALL, STEEL	16		3/16	
271	36647985240	BOX	1			
272	36647985250	COVER	1			
273	36647985260	HARNES ASSY (WITH COIL)	1			
274	36647985270	HARNES ASSY (WITH COIL)	1			
275	36647985280	HARNES ASSY (WITH COIL)	1			
276	36647985290	HARNES ASSY (WITH COIL)	1			
277	36647985300	HARNES ASSY	1			
278	36647985310	TUBE, CORRUGATE	1			
279	36647985320	TUBE, CORRUGATE	1			
280	36643725260	ANGLE	1			
281	36645815200	SEAT (RUBBER)	1			
282	36645815230	SEAT (RUBBER)	1			
283	36645815210	STICKER	1			
288	36645815170	CLIP	2			
289	36645815180	INSULOCK	13			
290	36647985330	TIE (INSULOCK)	2			
291	36647985340	TIE (INSULOCK)	1			
300	36647980000	VALVE, REMOTE CONTROL (NACHI)	1			



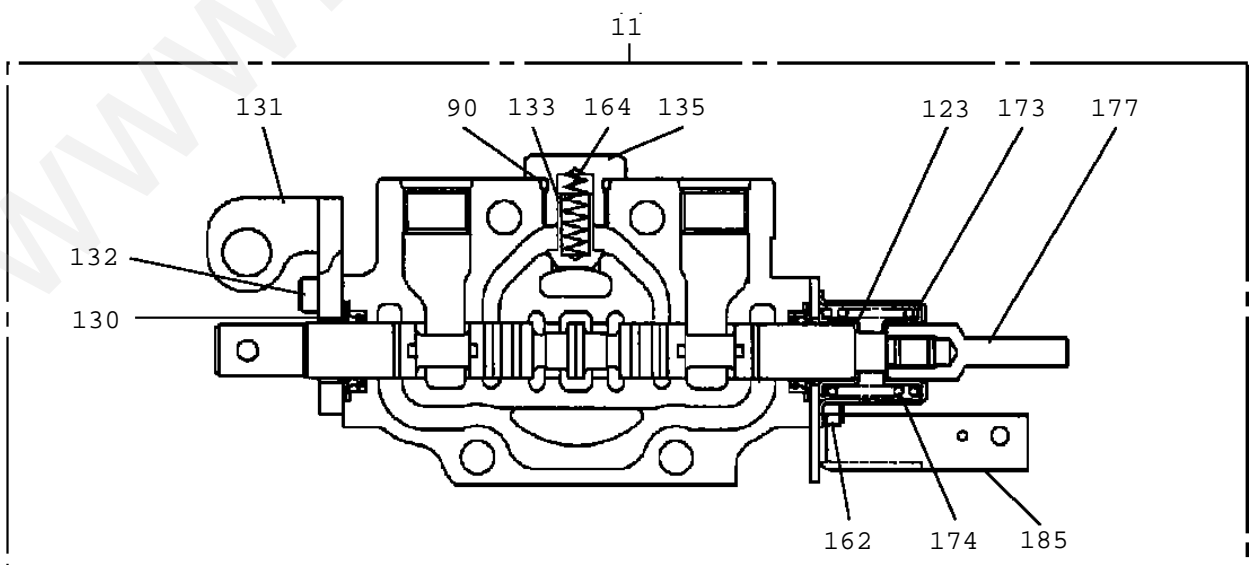
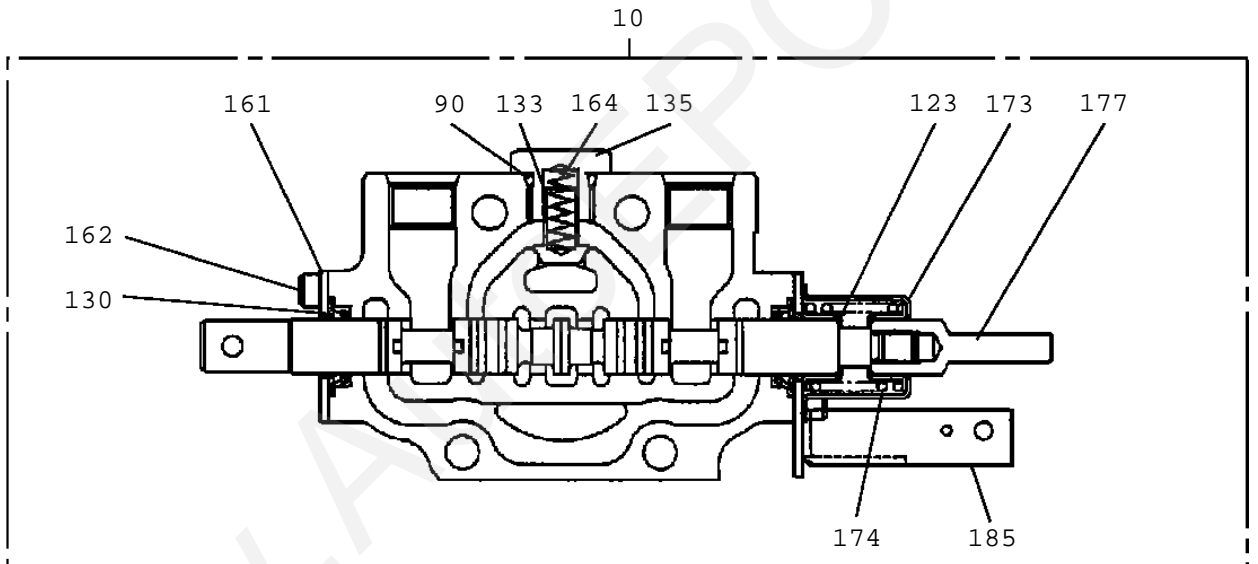
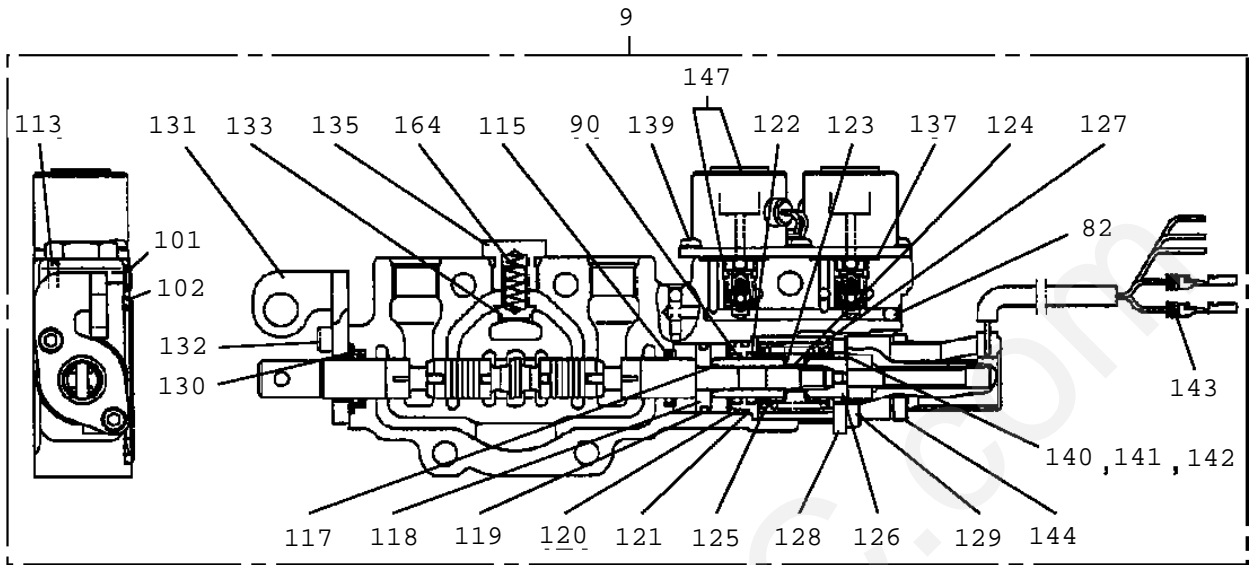


TM-ZF360 41102210021A FRAME/SL, MANUAL  
 PV1020351-00 VALVE, REMOTE CONTROL

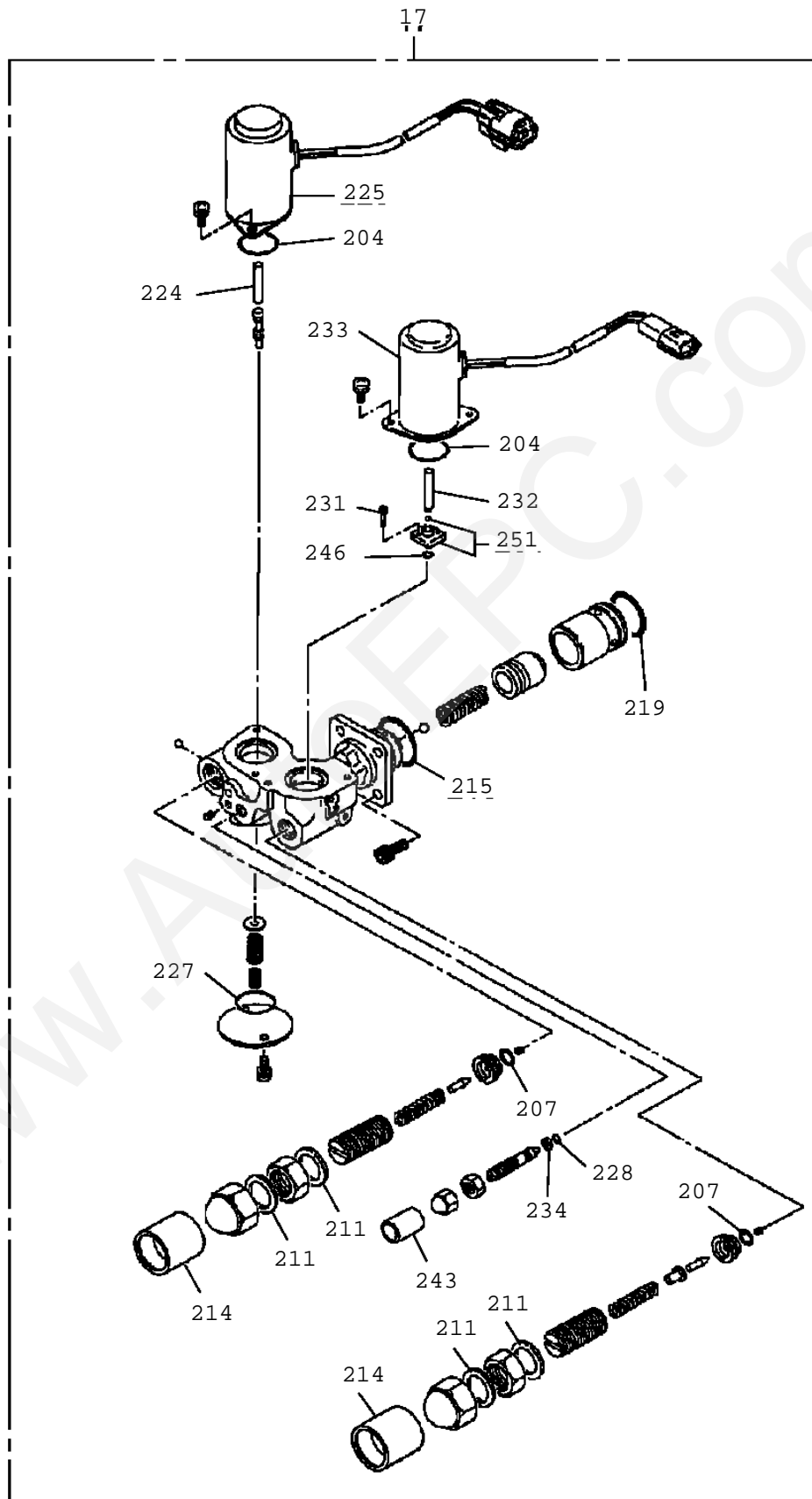




TM-ZF360 41102210021A FRAME/SL, MANUAL  
PV1020351-00 VALVE, REMOTE CONTROL



TM-ZF360 41102210021A FRAME/SL, MANUAL  
PV1020351-00 VALVE, REMOTE CONTROL



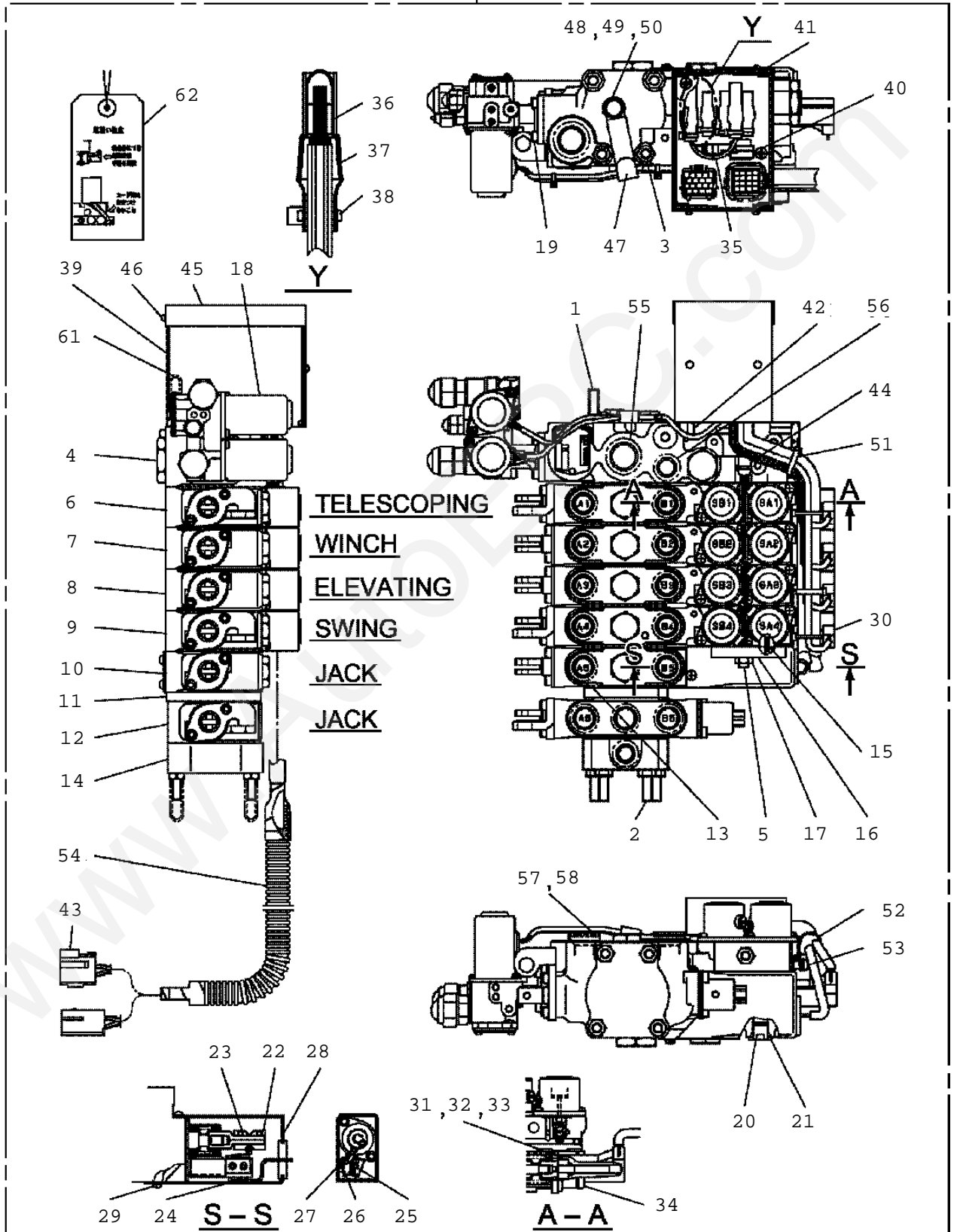
**TM-ZF360 41102210021A FRAME/SL,MANUAL**

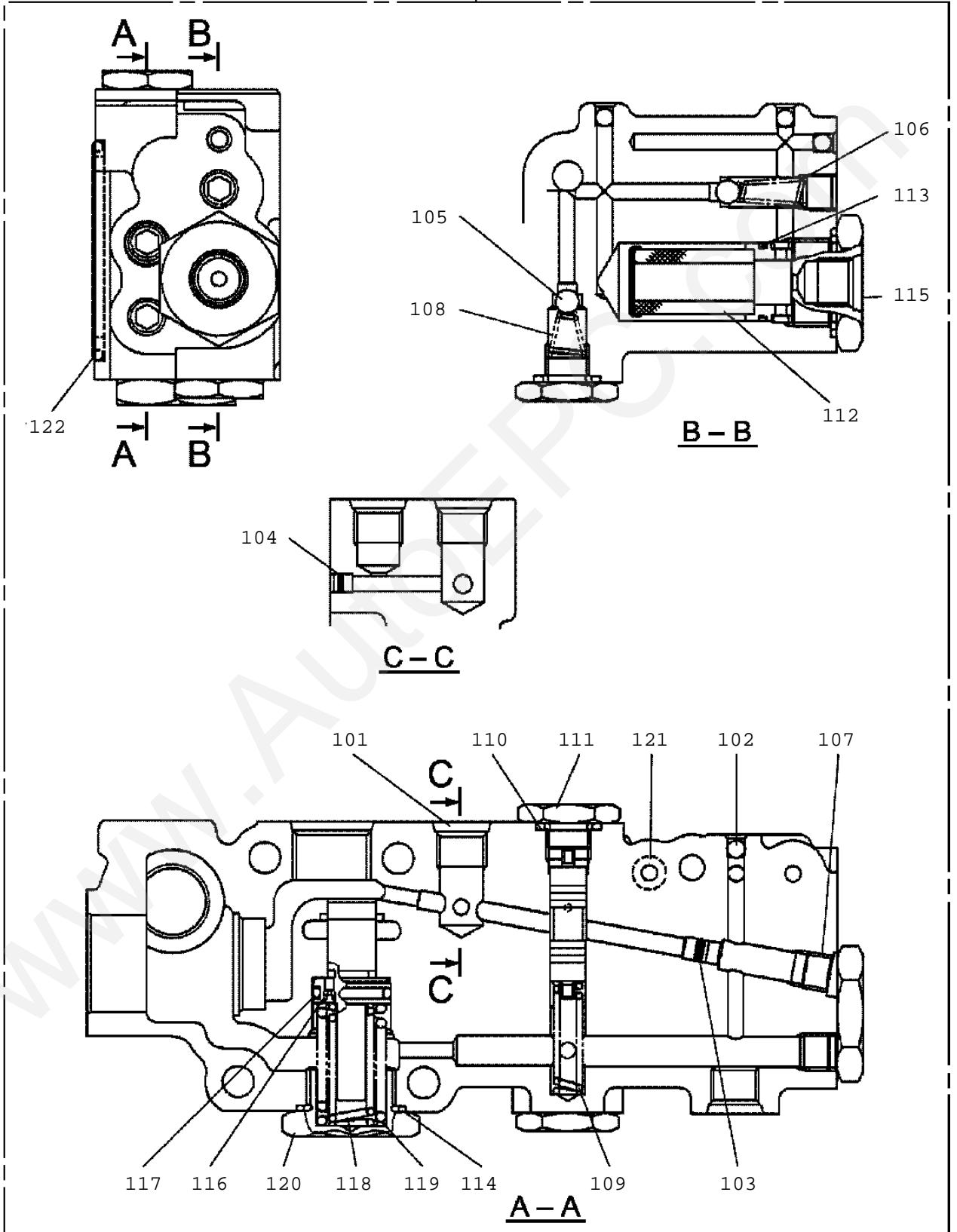
Pos No.	Parts No	Parts Name	Qty	Unit	Technical Data	Serial No
1	36645495280	BOLT,TIE	1			
2	36645495290	BOLT,TIE (A)	3			
3	90201200800	NUT	4		M8	
4	36648365010	COVER (FRONT)	1			
	36741810060	COVER (FRONT)	1			KA3410
5	36647975040	BOLT,TIE (C)	1			
6	36648365020	VALVE,CONTROL (TELESCOPING)	1			
7	36648365030	VALVE,CONTROL (WINCH)	1			
8	36648365040	VALVE,CONTROL (ELEVATING)	1			
9	36740465010	VALVE,CONTROL (SWING)	1			
10	36648365060	VALVE,CONTROL (JACK 2)	1			
11	36648365070	VALVE,CONTROL (JACK 1)	1			
12	91002905500	O-RING	2		1B G55	
13	36641555090	COVER (BOTTOM)	1			
14	80720104012	PIN,SPRING	1		4X12	
15	36644835061	COVER	1			
16	90203200800	NUT	5		M8	
17	36645405011	VALVE,SOLENOID	1			
18	36645615230	C-BOLT	4		5X12	
21	36649075060	CAM	4			
22	36646865110	SCREW,SET	4			
23	36649075050	SWITCH ASSY	2			
24	36647125090	SCREW,MACHINE	4		M2.3X14	
25	36646575070	PLATE	2			
26	36647125100	NUT	4		M2.3	
27	36645405050	BUSH	2			
28	36646575080	COVER	2			
29	80172104006	SCREW,MACHINE	6		M4X6	
30	36645405060	TUBE	2			
31	36648365080	HARNES ASSY (SWITCH)	1			
32	36644015120	CONNECTOR	5			
33	36644015130	TUBE	6			
34	11615111410	BAND	12			
35	36644015080	BOX	1			
36	36644015150	URETHANE (ROOL STOCK)	4			
37	36644015140	COVER	1			
38	80172105008	SCREW,MACHINE	2		M5X8	
39	36648365090	HARNES ASSY (LVDT)	1			
40	36649585250	HARNES ASSY (SOLENOID)	1			
41	36649585260	HARNES	1			
42	36644015110	CONNECTOR	1			
43	36640625140	TUBE	1		12B	
44	36646865070	CLIP	1			
45	90303070801	WASHER,PLAIN	1		8	
46	90302040801	WASHER,SPRING	1		8	
47	90101208012	BOLT	1		M8X12	
48	36644015070	COVER	1			
49	36645405150	SCREW,MACHINE	4		M3X5	
50	36645405160	BAND	2			
	36740765040	BAND	2			KA3410
51	36646865060	FASTENER	2			
52	36647855190	SCREW,MACHINE	2		M5X12	
53	36646875100	TUBE	1		15	
58	91001101100	O-RING	2		1A P11	
59	36644115130	PLUG	2			
60	36640755070	CAP	5			
61	36645405080	LABEL (CAUTION)	1			
81	36648365170	COVER (FRONT)	1			
	36648365171	COVER (FRONT SUB)	1			KA3410
82	36648375020	BALL,STEEL	16		3/16	
83	36646875110	COCK	1			
84	36660495110	PLUG	1			
85	80560057000	BALL,STEEL	2		1/4	
86	36640625260	SPRING	1			
87	80316030020	PLUG	5		PT1/8	
88	36640625220	SPRING	1			
89	36641075260	SPRING	1			
90	91001101400	O-RING	16		1A P14	
91	36640625210	CAP	2			
92	36640625240	FILTER	1			
93	91001001800	O-RING	1		S18	
94	91001002600	O-RING	2		S26	
95	36647395150	PLUG	1		M24	
96	36646875130	ORIFICE	1		M3	

**TM-ZF360 41102210021A FRAME/SL,MANUAL**

Pos No.	Parts No	Parts Name	Qty	Unit	Technical Data	Serial No
97	91001101600	O-RING	1		1A P16	
98	36646265090	SPRING (B)	1			
99	36646265080	SPRING (A)	1			
100	36645615210	PLUG	1		24	
101	91001100600	O-RING	23		1A P6	
102	91002905500	O-RING	5		1B G55	
113	36648375030	BALL,STEEL	8		5/32	
115	36640625310	BUSH	4			
117	91001000800	O-RING	4		S8	
118	36646865190	PISTON	4			
119	91001102000	O-RING	4		1A P20	
120	36648365110	FLANGE	4			
121	91001002240	O-RING	4		S22.4	
122	91650001400	SCRAPER	4			
123	36645495210	SEAT,SPRING (RETURN)	12			
124	36648365120	SPOOL (SUB)	4			
125	36645845060	SPRING (RETURN)	4			
126	36644015260	ADAPTER	4			
127	36648365130	SPACER	4			
128	36645405090	PLATE (D)	4			
129	36645615250	C-BOLT	8		M5X25	
130	36633365100	SEAL,OIL	8			
131	36645845050	LINK	3			
132	36645615230	C-BOLT	6		5X12	
133	12635101360	SPOOL	6			
134	36635735150	SPRING (CHECK VALVE)	2			
135	36633365090	CAP (CHECK VALVE)	6			
137	91001002200	O-RING	8		S22	
139	80172104010	SCREW,MACHINE	16		M4X10	
140	36644015220	SHIM (T=0.2)	8			
141	36644015230	SHIM (T=0.3)	8			
142	36645405110	SHIM (T=1.0)	4			
143	36648365140	LVDT ASSY (1)	4			
144	36645405100	BOLT	8		M4X22	
147	36648365150	VALVE,SOLENOID (KIT)	8			
161	36633365060	PLATE (B)	3			
162	36645615260	C-BOLT	10		M5X8	
164	12635101190	SPRING	4			
173	36637475090	CAP	2			
174	36633365050	SPRING (RETURN)	2			
177	36645495220	ADAPTER	2			
185	36646575100	BRACKET	2			
204	36645405030	O-RING	2			
207	91002800700	O-RING	2		1B P7	
211	11629431040	PACKING	4			
214	16623320390	TUBE (SEAL)	2			
215	91001102200	O-RING	1		1A P22	
219	91002802100	O-RING	1		1B P21	
224	36646865170	ROD,PUSH	1		8	
225	36645495240	SOLENOID ASSY	1			
227	91001001000	O-RING	1		1A S10	
228	91002800300	O-RING	1		1B P3	
231	90131903008	BOLT,HEXAGON SOCKET	2		M3X8	
232	36645405040	ROD,PUSH	1			
233	36645495250	SOLENOID ASSY	1			
234	36645495260	RING,BACKUP	1			
243	36603185150	TUBE	1			
246	91002800400	O-RING	1		1B P4	
251	36645405180	SEAT,VALVE (WITH STEEL BALL)	1			
300	36740460001	VALVE,REMOTE CONTROL	1			

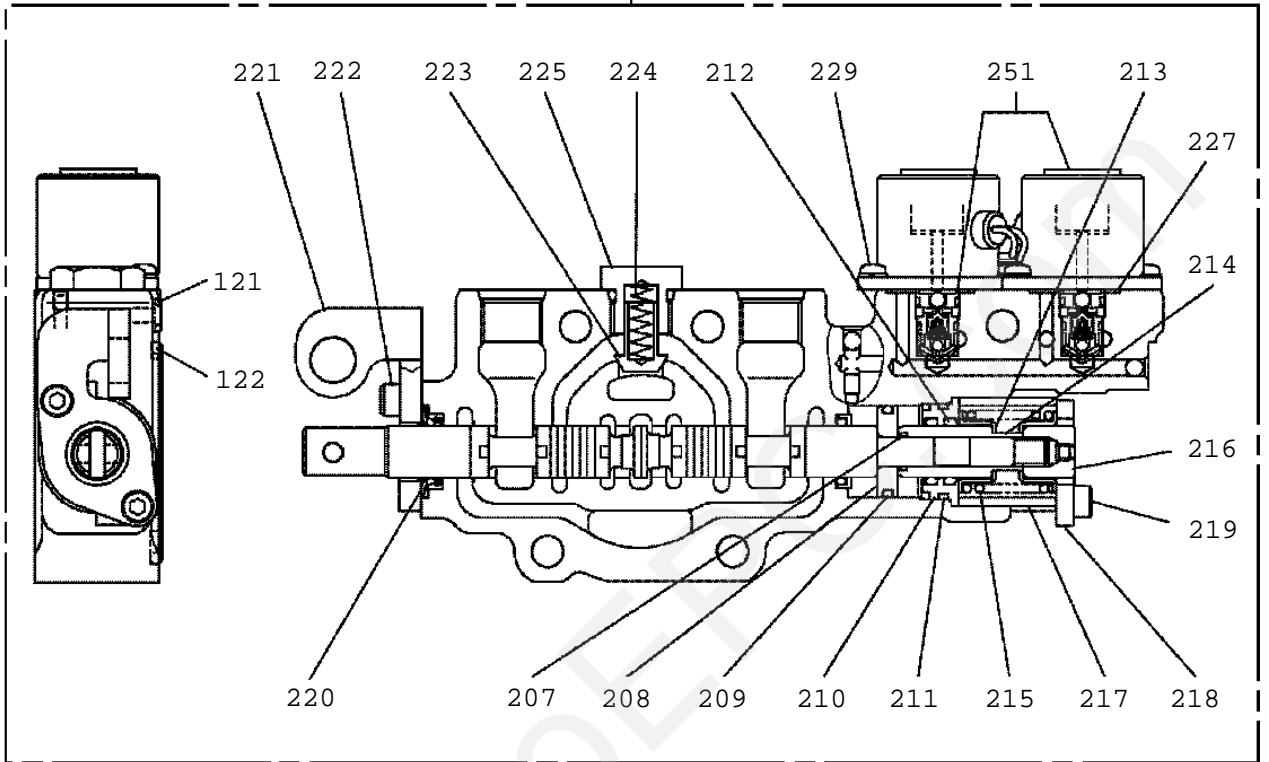
900



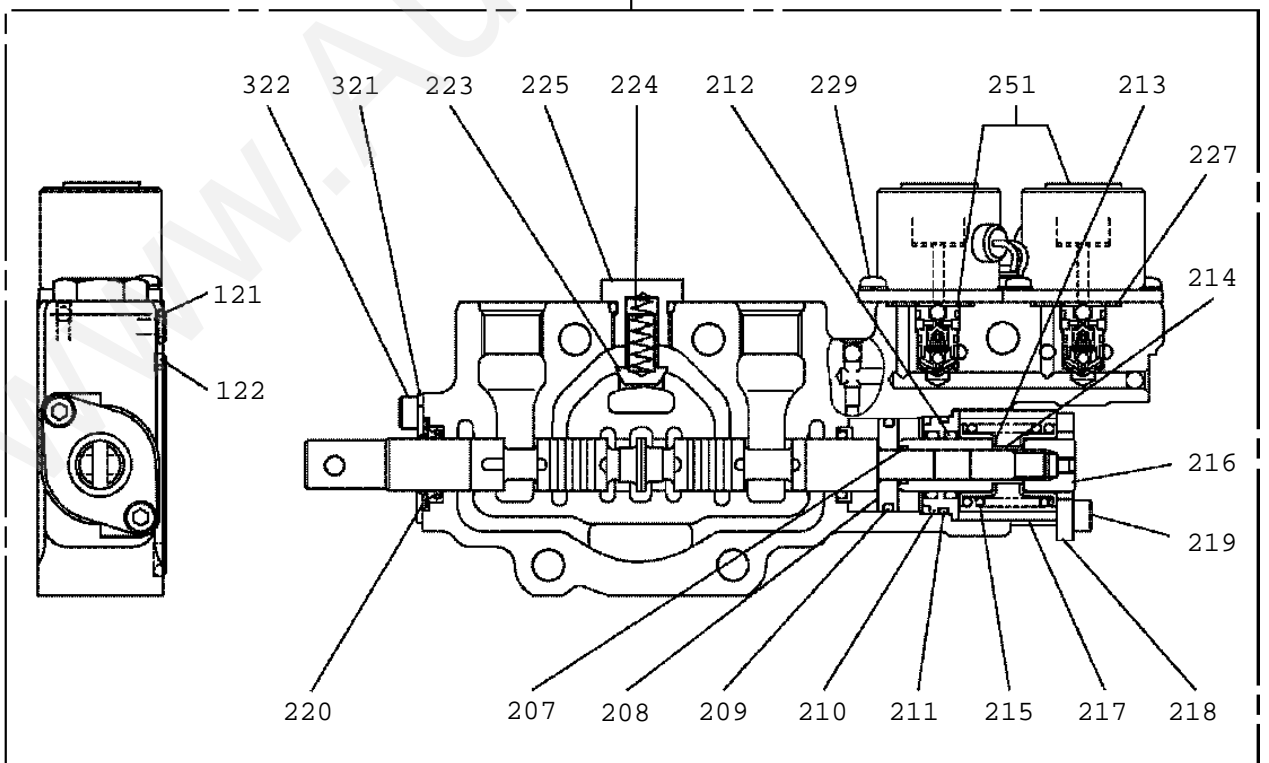


TM-ZF360 41102210021A FRAME/SL, MANUAL  
PV1020366-00 VALVE, REMOTE CONTROL

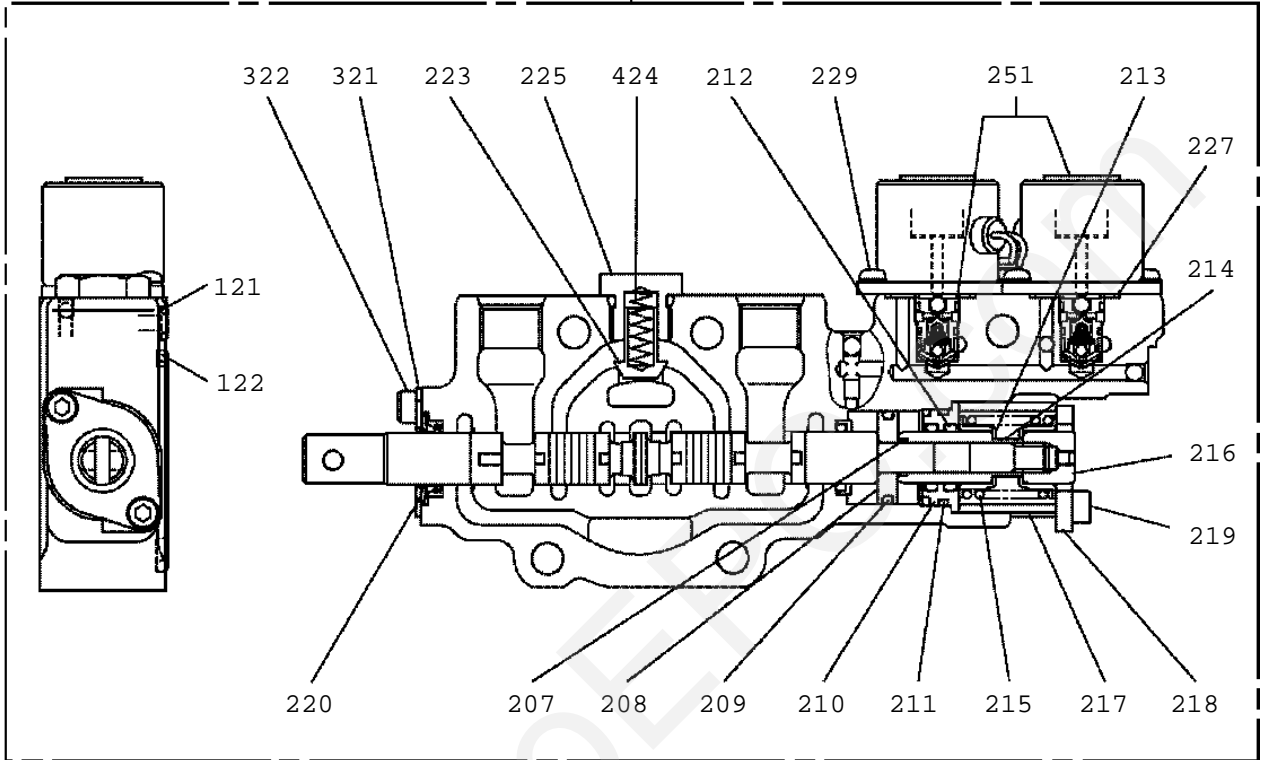
6



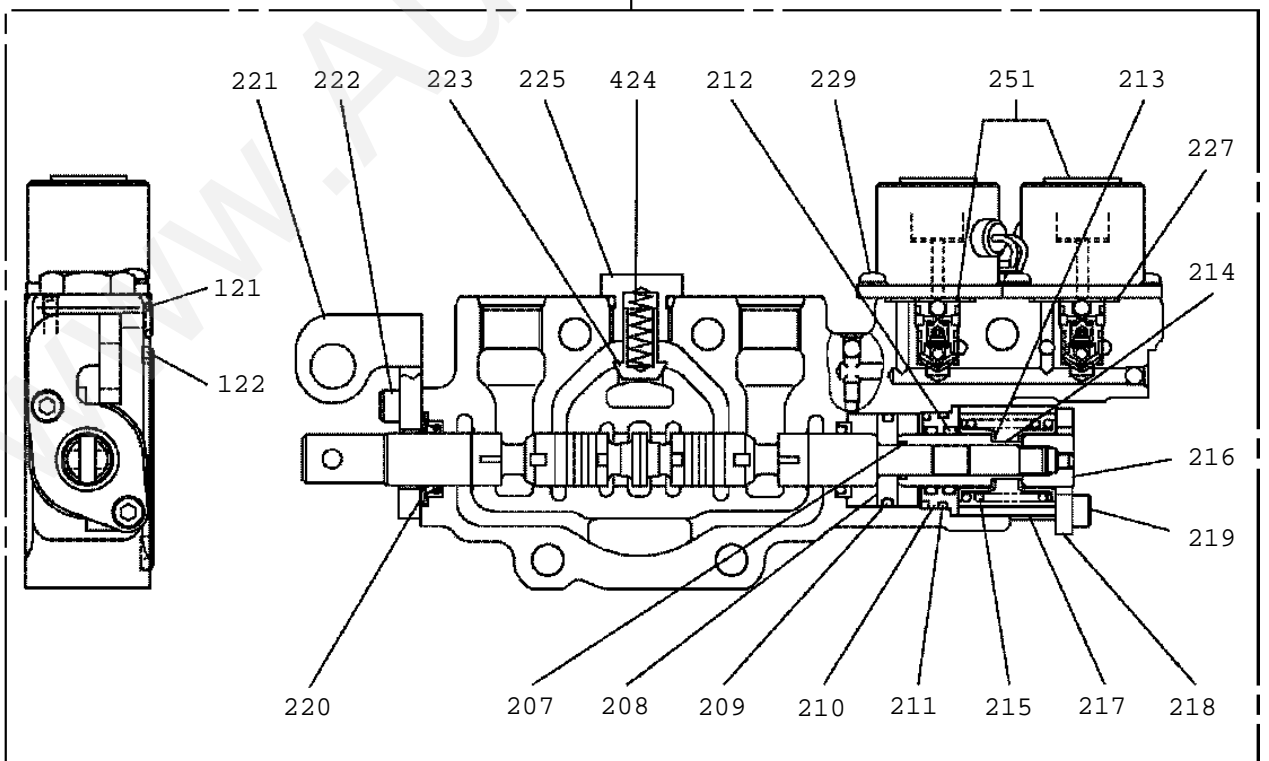
7



8

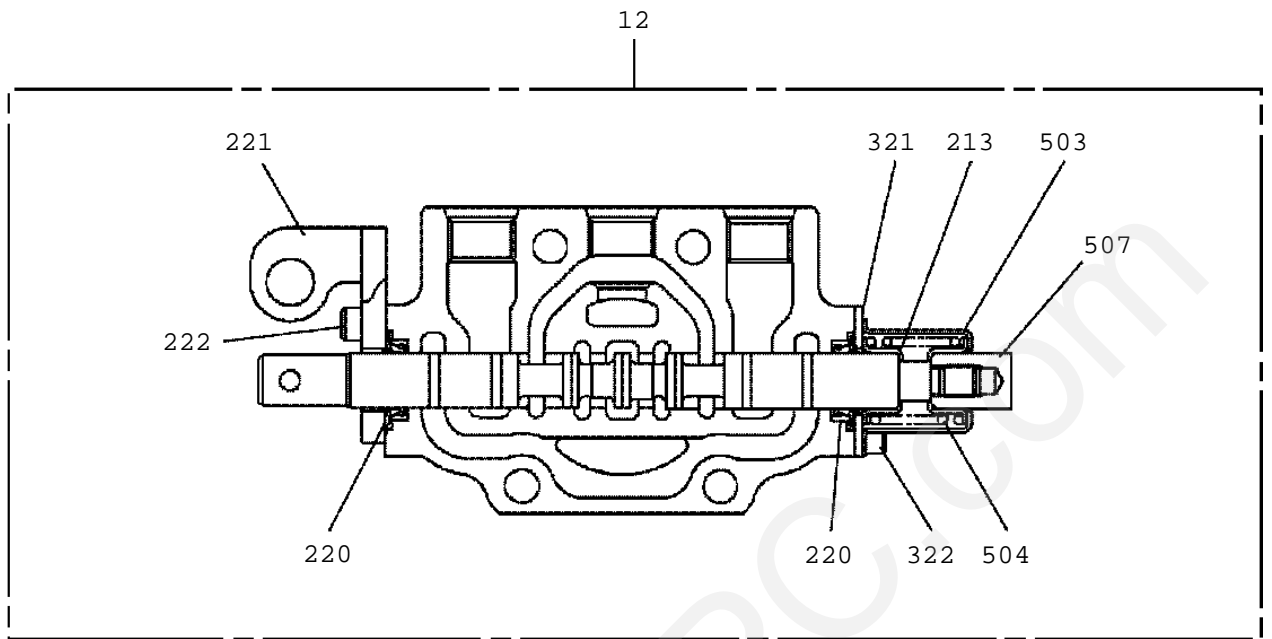


9



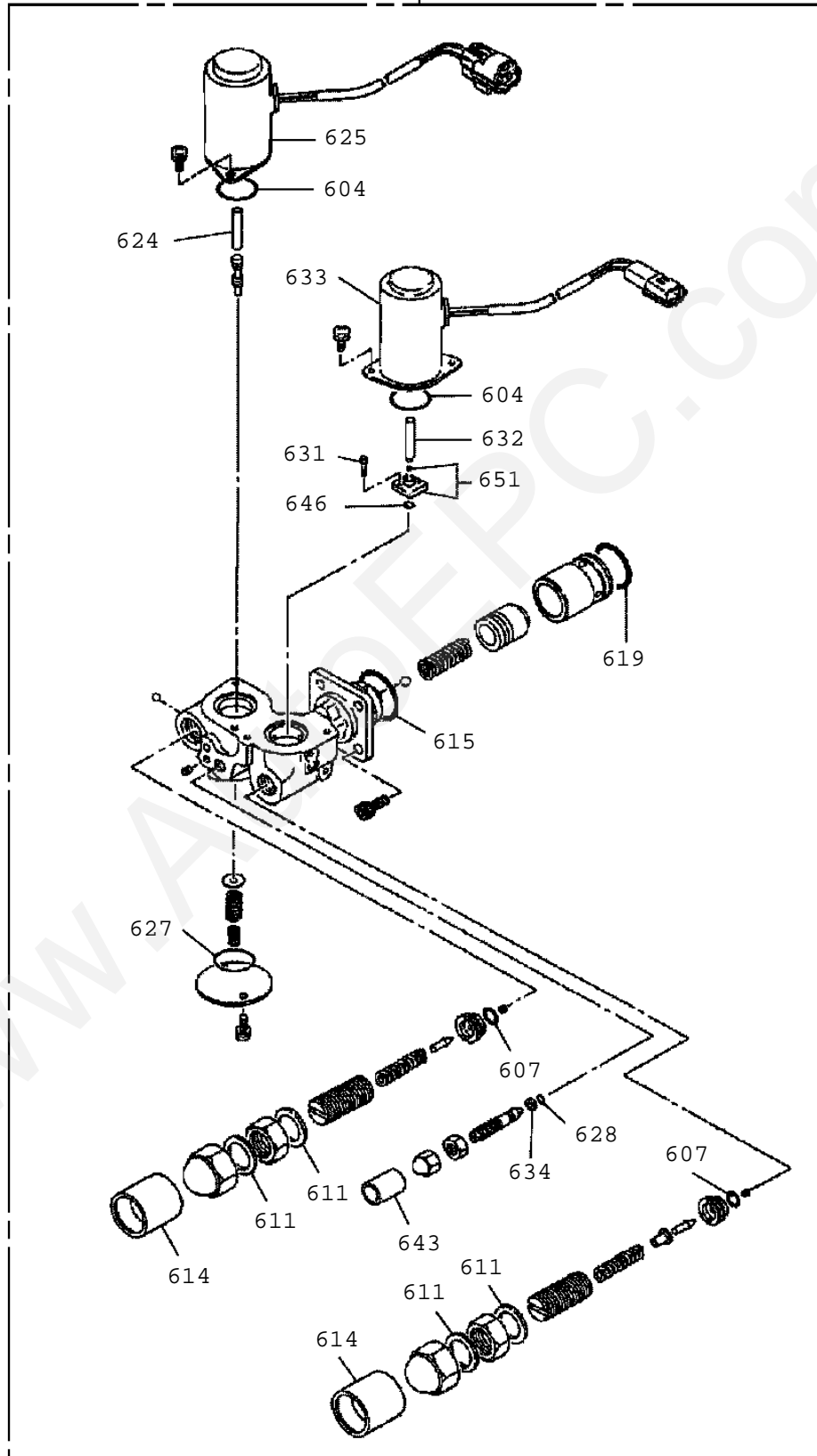


TM-ZF360 41102210021A FRAME/SL, MANUAL  
PV1020366-00 VALVE, REMOTE CONTROL



TM-ZF360 41102210021A FRAME/SL, MANUAL  
PV1020366-00 VALVE, REMOTE CONTROL

18

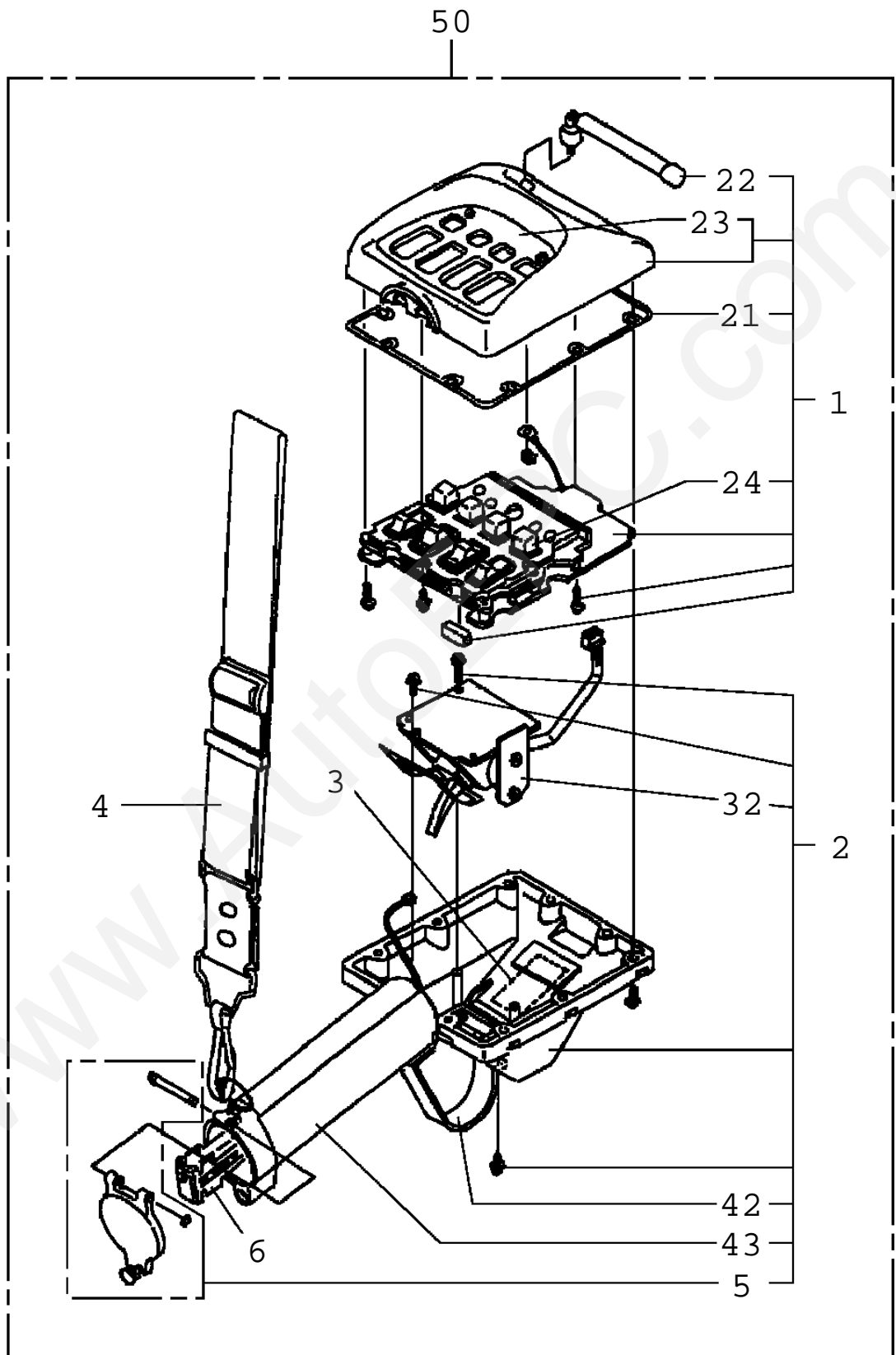


**TM-ZF360 41102210021A FRAME/SL,MANUAL**

Pos No.	Parts No	Parts Name	Qty	Unit	Technical Data	Serial No
1	36645585010	BOLT,TIE	1			
2	36636085030	BOLT,TIE (A)	3			
3	90201200800	NUT	4		M8	
4	36741810060	COVER (FRONT)	1			
5	36647975040	BOLT,TIE (C)	1			
6	36740955010	VALVE,CONTROL (TELESCOPING)	1			
7	36740955020	VALVE,CONTROL (WINCH)	1			
8	36740955030	VALVE,CONTROL (ELEVATING)	1			
9	36740955040	VALVE,CONTROL (SWING)	1			
10	36740955050	VALVE,CONTROL (JACK)	1			
11	36636085050	PLATE	1			
12	36637485060	VALVE,CONTROL (JACK)	1			
13	91002905500	O-RING	3		1B G55	
14	36645375030	COVER (BOTTOM)	1			
15	80720104012	PIN,SPRING	1		4X12	
16	36644835061	COVER	1			
17	90203200800	NUT	5		M8	
18	36645405011	VALVE,SOLENOID	1			
19	36645615230	C-BOLT	4		5X12	
20	36644115130	PLUG	2			
21	91001101100	O-RING	2		1A P11	
22	36649075060	CAM	2			
23	36646865110	SCREW,SET	2			
24	36740955060	SWITCH	1			
25	36647125090	SCREW,MACHINE	2		M2.3X14	
26	36646575070	PLATE	1			
27	36647125100	NUT	2		M2.3	
28	36648385060	COVER	1			
29	80172104006	SCREW,MACHINE	3		M4X6	
30	36740955070	LVDT ASSY	1			
31	36644015220	SHIM (T=0.2)	8			
32	36644015230	SHIM (T=0.3)	8			
33	36645405110	SHIM (T=1.0)	4			
34	36645405100	BOLT	8		M4X22	
35	36645405060	TUBE	1			
36	36644015110	CONNECTOR	2			
37	36644015130	TUBE	2			
38	11615111410	BAND	8			
39	36644015080	BOX	1			
40	80172105008	SCREW,MACHINE	2		M5X8	
41	36644015150	URETHANE (ROOL STOCK)	4			
42	36644015140	COVER	1			
43	36649585250	HARNES ASSY (SOLENOID)	1			
44	36640625140	TUBE	1		12B	
45	36644015070	COVER	1			
46	36645405150	SCREW,MACHINE	4		M3X5	
47	36646865070	CLIP	1			
48	90303070801	WASHER,PLAIN	1		8	
49	90302040801	WASHER,SPRING	1		8	
50	90101208012	BOLT	1		M8X12	
51	36740765040	BAND	2			
52	36646865060	FASTENER	2			
53	80172105012	SCREW,MACHINE	2		M5X12	
54	36646875100	TUBE	1		15	
55	36645615090	PROTECTOR	2			
56	36081315130	PROTECTOR (THREAD)	3			
57	36645615200	PACKING	13			
58	36645615190	PLUG (DUST)	13			
61	36640755070	CAP	5			
62	36645405080	LABEL (CAUTION)	1			
101	36648365171	COVER (FRONT SUB)	1			
102	36648375020	BALL,STEEL	4		3/16	
103	36646875110	COCK	1			
104	36660495110	PLUG	1			
105	80560057000	BALL,STEEL	2		1/4	
106	36640625260	SPRING	1			
107	80316030020	PLUG	5		PT1/8	
108	36640625220	SPRING	1			
109	36641075260	SPRING	1			
110	91001101400	O-RING	2		1A P14	
111	36640625210	CAP	2			
112	36640625240	FILTER	1			
113	91001001800	O-RING	1		S18	
114	91001002600	O-RING	2		S26	

**TM-ZF360 41102210021A FRAME/SL, MANUAL**

Pos No.	Parts No	Parts Name	Qty	Unit	Technical Data	Serial No
115	36647395150	PLUG	1		M24	
116	36646875130	ORIFICE	1		M3	
117	91001101600	O-RING	1		1A P16	
118	36646265090	SPRING (B)	1			
119	36646265080	SPRING (A)	1			
120	36645615210	PLUG	1		24	
121	91001100600	O-RING	23		1A P6	
122	91002905500	O-RING	5		1B G55	
207	91001000800	O-RING	4		S8	
208	36646865190	PISTON	4			
209	91001102000	O-RING	4		1A P20	
210	36648365110	FLANGE	4			
211	91001002240	O-RING	4		S22.4	
212	91650001400	SCRAPER	4			
213	36645495210	SEAT,SPRING (RETURN)	10			
214	36648365120	SPOOL (SUB)	4			
215	36645845060	SPRING (RETURN)	4			
216	36644015260	ADAPTER	4			
217	36648365130	SPACER	4			
218	36645405090	PLATE (D)	4			
219	36645615250	C-BOLT	8		M5X25	
220	36633365100	SEAL,OIL	6			
221	36645845050	LINK	3			
222	36645615230	C-BOLT	6		5X12	
223	12635101360	SPOOL	4			
224	36635735150	SPRING (CHECK VALVE)	2			
225	36633365090	CAP (CHECK VALVE)	4			
227	91001002200	O-RING	8		S22	
229	80172304010	SCREW,MACHINE	16		M4X10	
251	36648365150	VALVE,SOLENOID (KIT)	8			
321	36633365060	PLATE (B)	3			
322	36645615260	C-BOLT	6		M5X8	
424	12635101190	SPRING	2			
503	36637475090	CAP	1			
504	36633365050	SPRING (RETURN)	1			
507	36633365070	ADAPTER	1			
604	36645405030	O-RING	2			
607	91002800700	O-RING	2		1B P7	
611	11629431040	PACKING	4			
614	16623320390	TUBE (SEAL)	2			
615	91001102200	O-RING	1		1A P22	
619	91002802100	O-RING	1		1B P21	
624	36646865170	ROD,PUSH	1		8	
625	36645495240	SOLENOID ASSY	1			
627	91001001000	O-RING	1		1A S10	
628	91002800300	O-RING	1		1B P3	
631	90131903008	BOLT,HEXAGON SOCKET	2		M3X8	
632	36645405040	ROD,PUSH	1			
633	36645495250	SOLENOID ASSY	1			
634	36645495260	RING,BACKUP	1			
643	36603185150	TUBE	1			
646	91002800400	O-RING	1		1B P4	
651	36645405180	SEAT,VALVE (WITH STEEL BALL)	1			
900	36740950000	VALVE,REMOTE CONTROL	1			

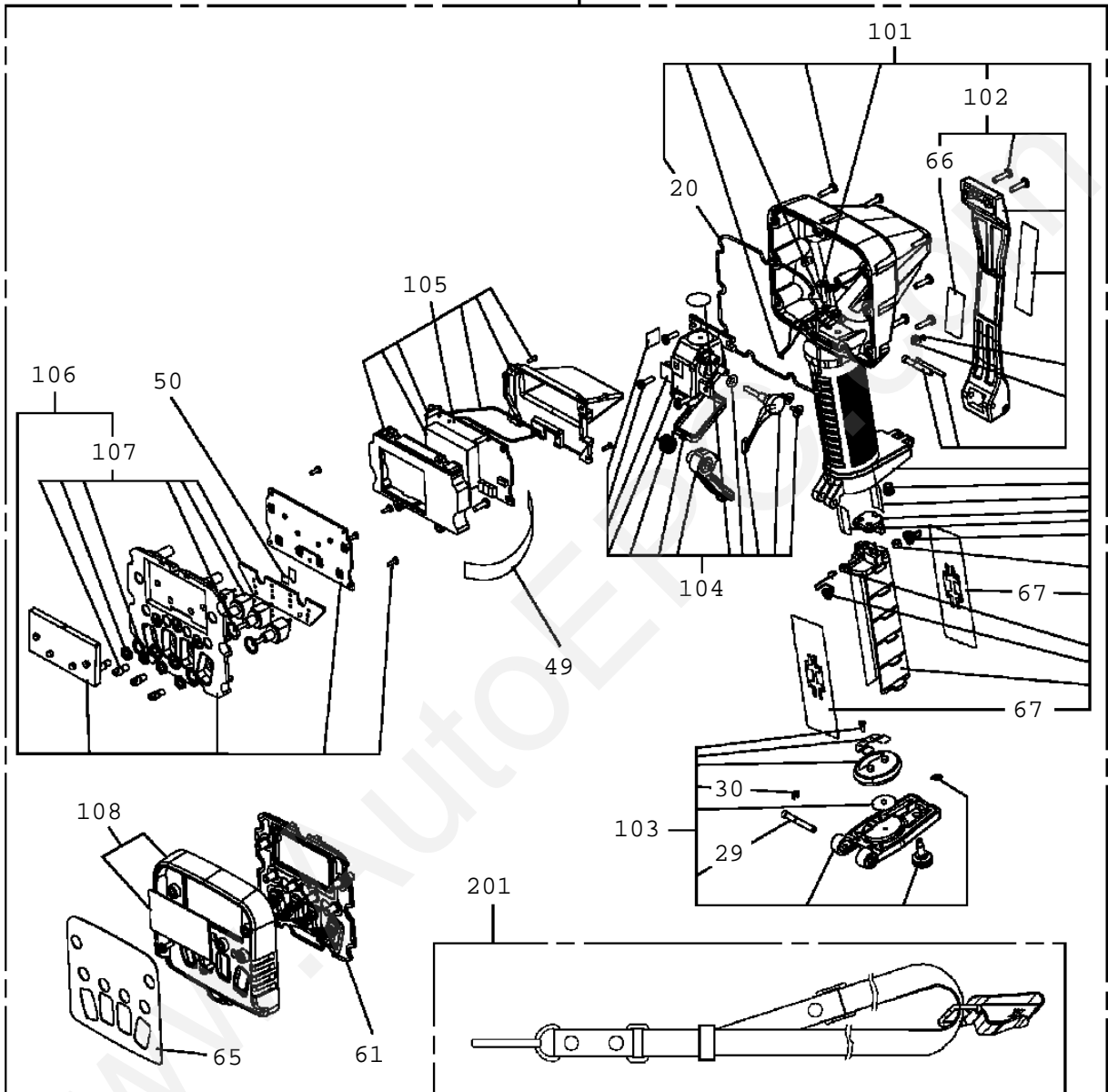


**TM-ZF360 41102210021A FRAME/SL,MANUAL**

Pos No.	Parts No	Parts Name	Qty	Unit	Technical Data	Se
1	36800565050	CASE KIT (UPPER)	1			
2	36800565070	CASE KIT (LOWER)	1			
3	36800555080	LABEL (SEAL)	1			
4	36800095041	BELT ASSY	1			
5	36800565100	COVER (BATTERY)	1			
6	36800095030	CASE (BATTERY)	1			
21	36800095060	CASE (RING)	1			
22	36800565060	ANTENNA (FLEXIBLE)	1			
23	36800565150	PLATE,NAME	1			
24	36801995060	RUBBER ASSY	1			
32	36800565080	CASE ASSY	1			
42	36800295110	GUARD	1			
43	36801995080	GRIP	1			
50	36800562000	SWITCH BOX (RADIO CONTROL.M2.TYPE-B)	1			

www.AutoEPC.com

300



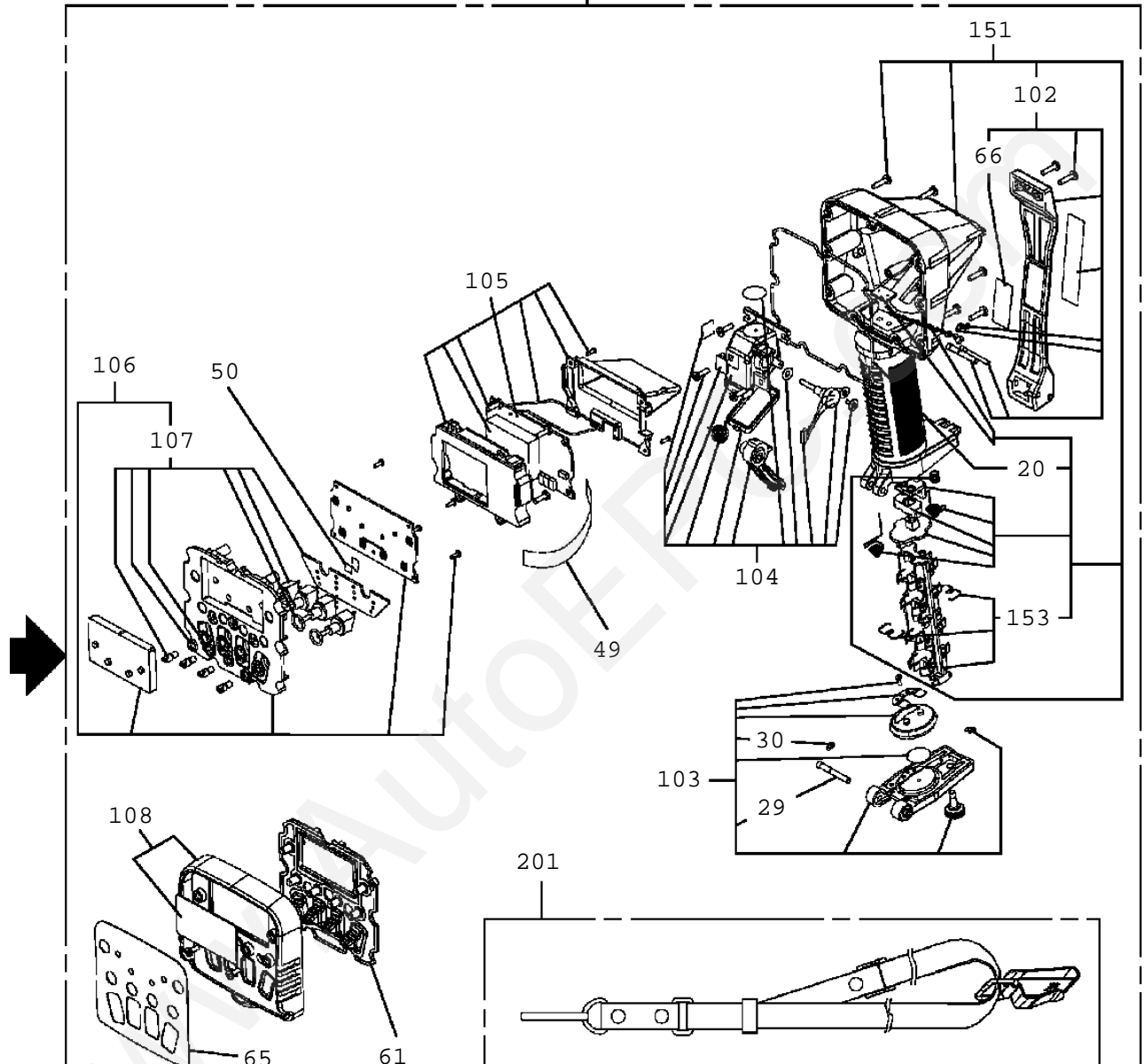
**注意**

1. 本体分解時には、指示番号20の「Oリング（ケース）」を併せて注文ください。
2. 「RF ASSY」を交換する場合は、指示番号66の「ラベル（コクイン）」も併せて注文ください。
3. お送りする「ラベル（コクイン）」には製造番号は印字されていないので記入してください。

**NOTICE**

1. When disassembling the main unit, order a key No.20 [O-RING(CASE)] beforehand.
2. When replacing [RF ASSY] order a Key No.66 [LABEL(SELIAL)] beforehand.
3. Serial No.is not stamped on the [LABEL(SELIAL)] before shipment. Fill in the blank by yourself.

300



**注意**

1. 本体分解時には、指示番号20の「Oリング (ケース)」を併せて注文ください。
2. 「RF ASSY」を交換する場合は、指示番号66の「ラベル (コクイン)」も併せて注文ください。
3. お送りする「ラベル (コクイン)」には製造番号は印字されていないので記入してください。

**NOTICE**

1. When disassembling the main unit, order a key No.20 [O-RING(CASE)] beforehand.
2. When replacing [RF ASSY] order a Key No.66 [LABEL(SELIAL)] beforehand.
3. Serial No.is not stamped on the [ LABEL(SELIAL)] before shipment. Fill in the blank by yourself.



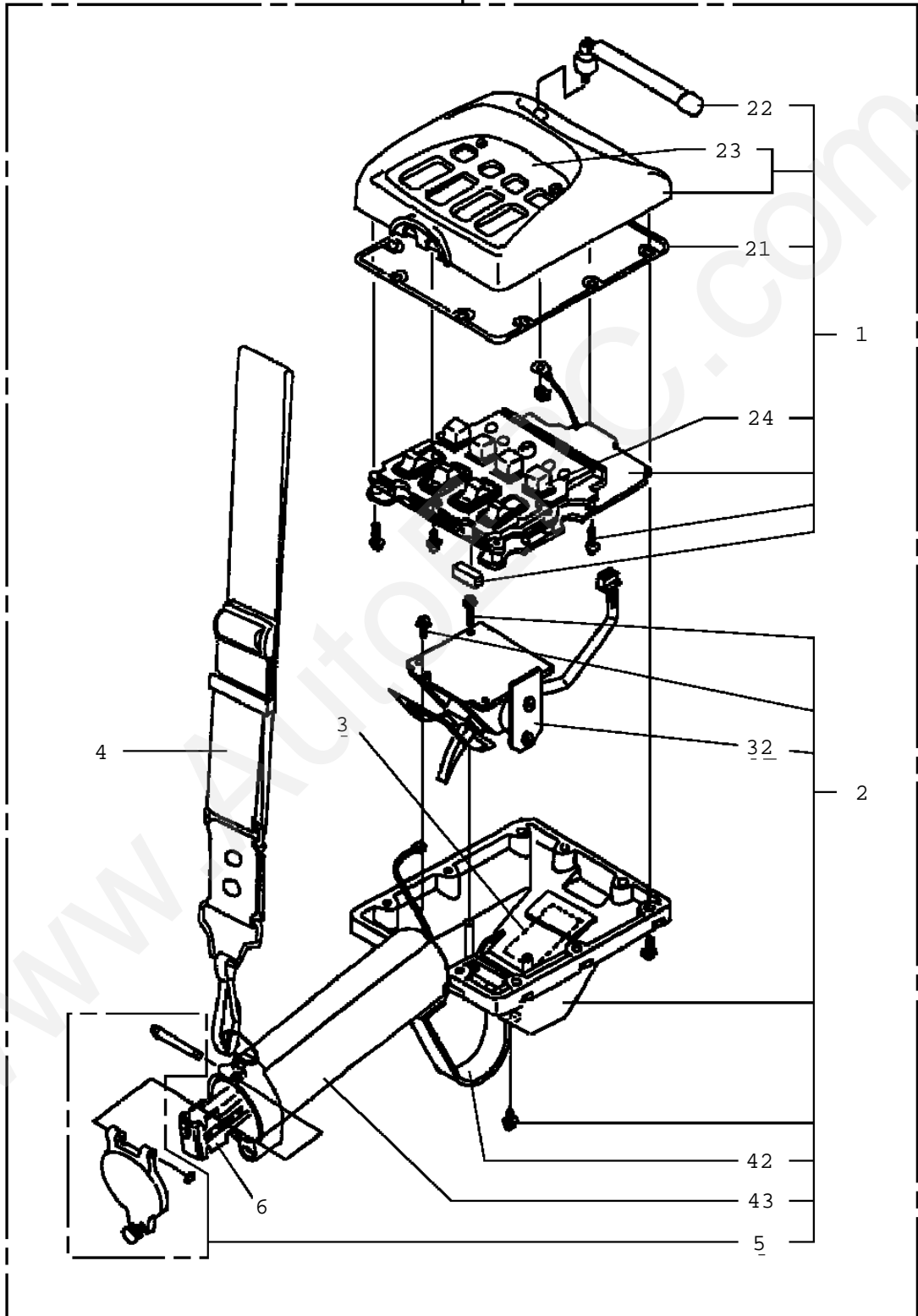
**TM-ZF360 41102210021A FRAME/SL,MANUAL**

Pos No.	Parts No	Parts Name	Qty	Unit	Technical Data	Ser
20	36804915010	O-RING (CASE)	1			
29	36804915020	PIN	1			
30	36804915030	RING	1			
49	36805795020	HARNESS	1			
50	36805795030	HARNESS	1			
61	36804915060	RUBBER (FRONT)	1			
65	36804915070	PLATE,NAME (TM,STD.)	1			
66	36804915080	LABEL (SERIAL)	1			
101	36804915090	CASE ASSY (LOWER)	1			
102	36804915100	GUARD ASSY (HAND)	1			
103	36804915110	COVER ASSY (BATTERY)	1			
104	36804915120	LEVER ASSY (TRIGGER)	1			
105	36804915130	RF ASSY	1			
106	36804915140	PANEL ASSY (INNER)	1			
107	36804915150	SWITCH ASSY	1			
108	36804915160	CASE ASSY (FRONT)	1			
151	36804917570	CASE ASSY (LOWER)	1			KA2
153	36804917530	HOLDER (BATTERY)	1			KA2
201	36804915170	STRAP	1			
300	36804913000	SWITCH BOX (RADIO CONTROL,LED TYPE)	1			

www.AutoEPC.com

TM-ZF360 41102210021A FRAME/SL, MANUAL  
PV1030089-00 SWITCH BOX

100

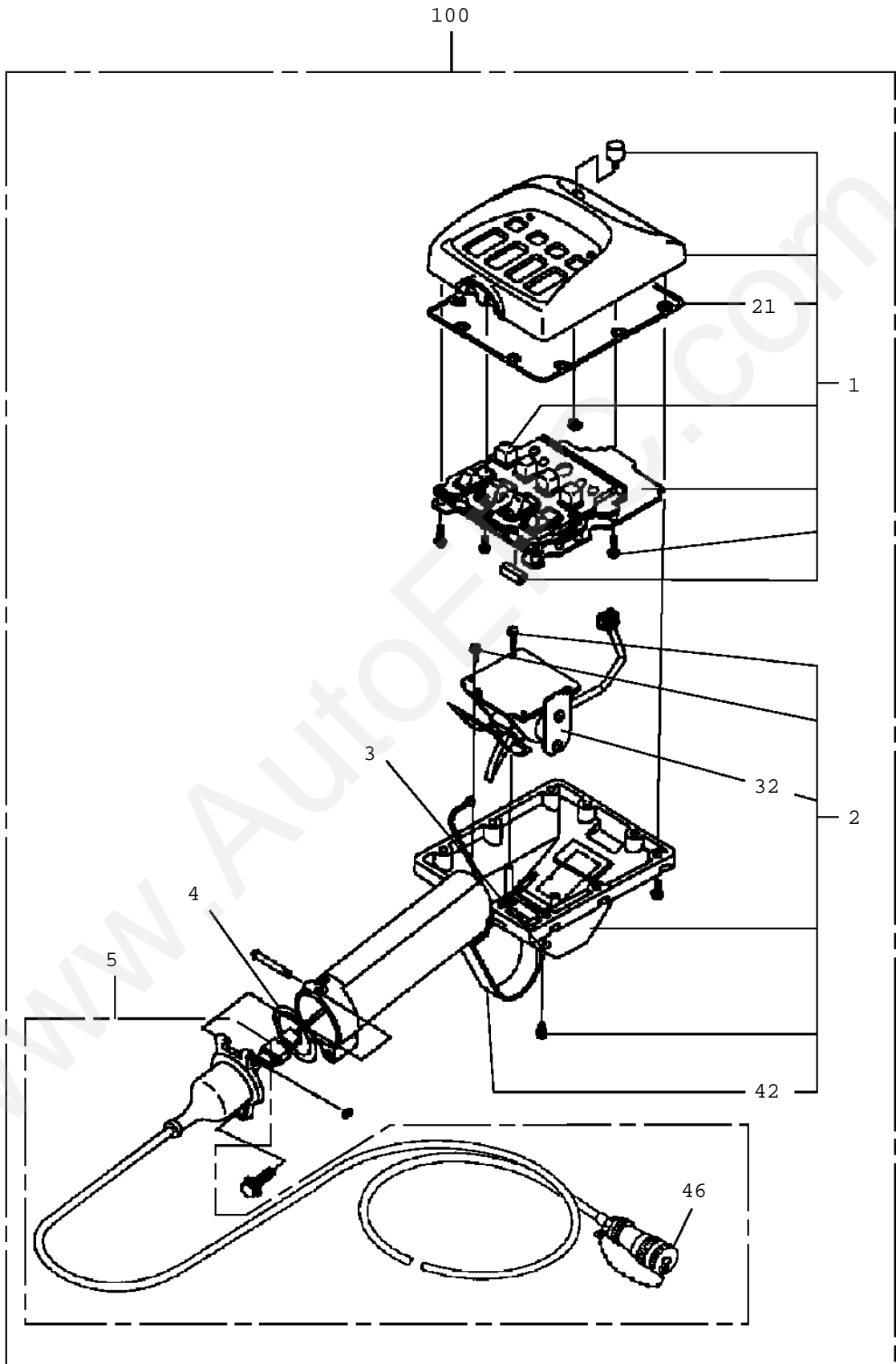


**TM-ZF360 41102210021A FRAME/SL,MANUAL**

Pos No.	Parts No	Parts Name	Qty	Unit	Technical Data	Serial No (Start)	S
1	36800565051	CASE KIT (UPPER)	1				
2	36800565071	CASE KIT (LOWER)	1				
3	36800555081	PLATE,NAME (SEAL)	1				
4	36800095042	BELT ASSY	1				
5	36800565101	COVER (BATTERY)	1				
6	36800095031	CASE (BATTERY)	1				
21	36800095061	RING (CASE)	1				
22	36800565061	ANTENNA (FLEXIBLE)	1				
23	36800565151	PLATE,NAME	1				
24	36801995061	RUBBER ASSY	1				
32	36800565081	CASE ASSY (LEVER)	1				
42	36800295111	GUARD (HAND)	1				
43	36801995081	GRIP	1				
100	36800562001	SWITCH BOX	1				

www.AutoEPC.com

TM-ZF360 41102210021A FRAME/SL, MANUAL  
PV1030090-00 SWITCH BOX

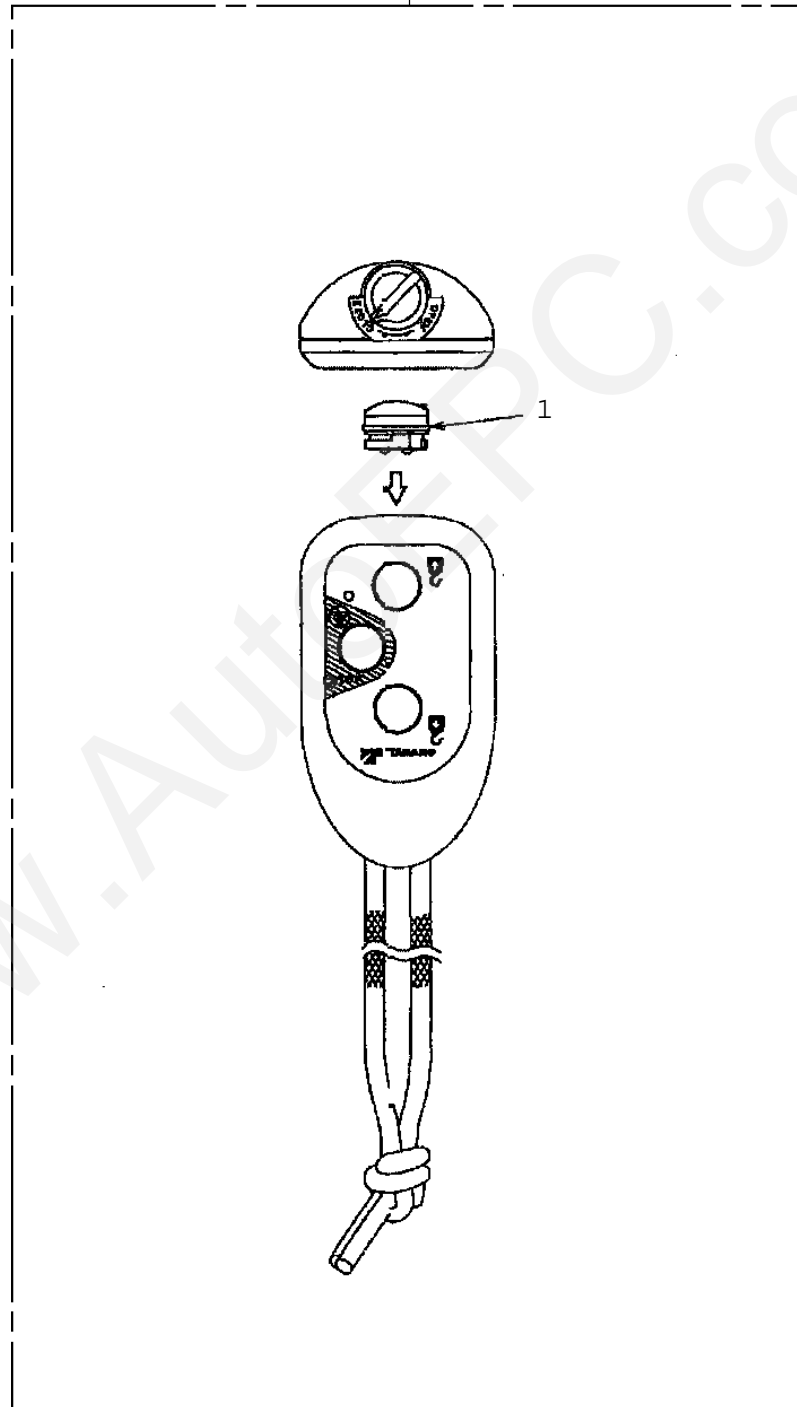


**TM-ZF360 41102210021A FRAME/SL,MANUAL**

Pos No.	Parts No	Parts Name	Qty	Unit	Technical Data	Serial No (S
1	36800585011	CASE KIT (UPPER)	1			
2	36800585021	CASE KIT (LOWER)	1			
4	36800585031	PACKING	1			
5	36800585041	CABLE ASSY	1		10M	
21	36800095061	RING (CASE)	1			
32	36800565081	CASE ASSY (LEVER)	1			
42	36800295111	GUARD (HAND)	1			
46	36800585071	CAP (CONNECTOR,WITH CHAIN)	1			
100	36800582001	SWITCH BOX	1			

www.AutoEPC.com

50

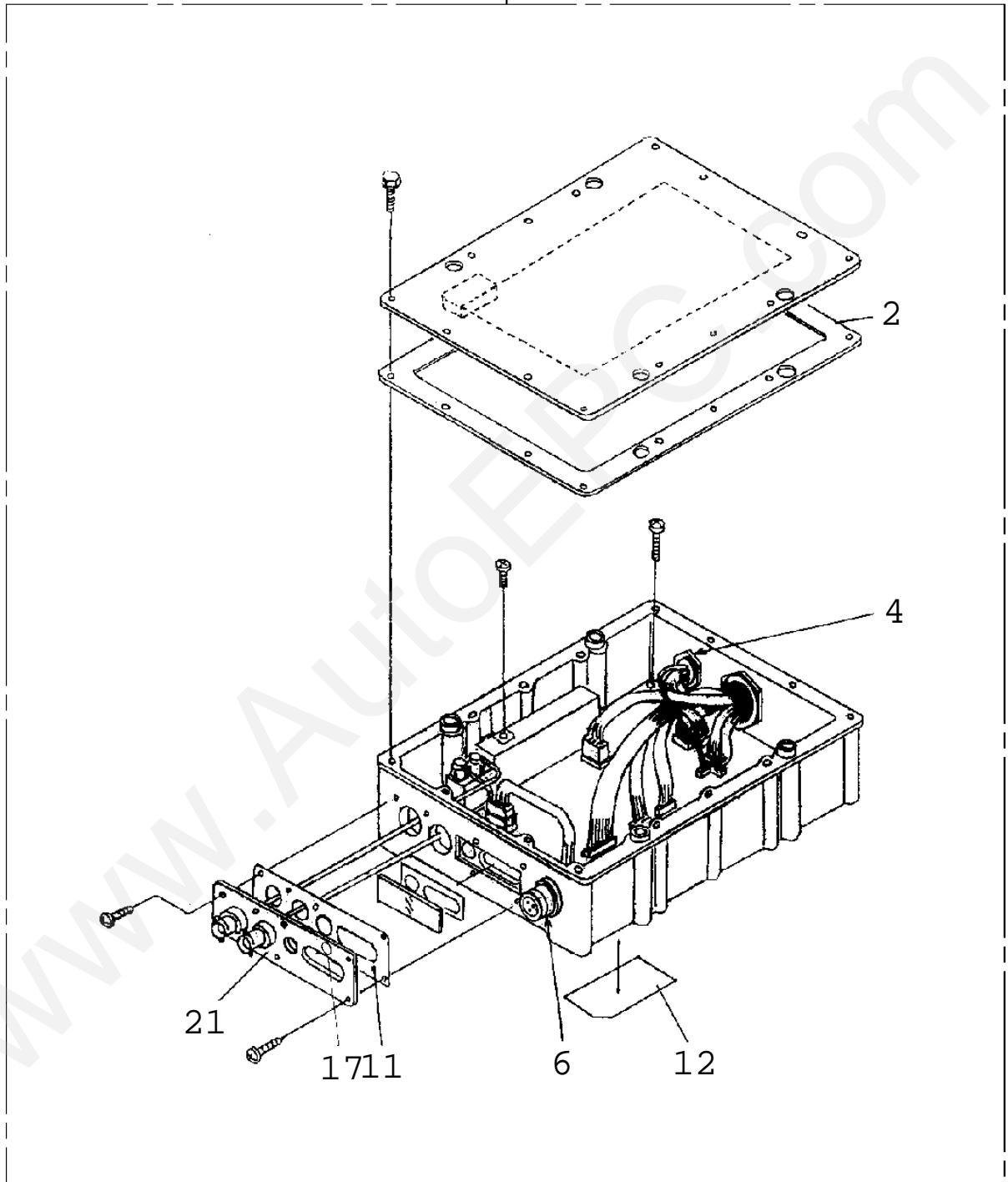


**TM-ZF360 41102210021A FRAME/SL,MANUAL**

Pos No.	Parts No	Parts Name	Qty	Unit	Technical Data	S
1	36801785010	CAP ASSY	1			
50	36801781000	SWITCH BOX (SELF WINCH RADIO CONTROL)	1			

www.AutoEPC.com

50



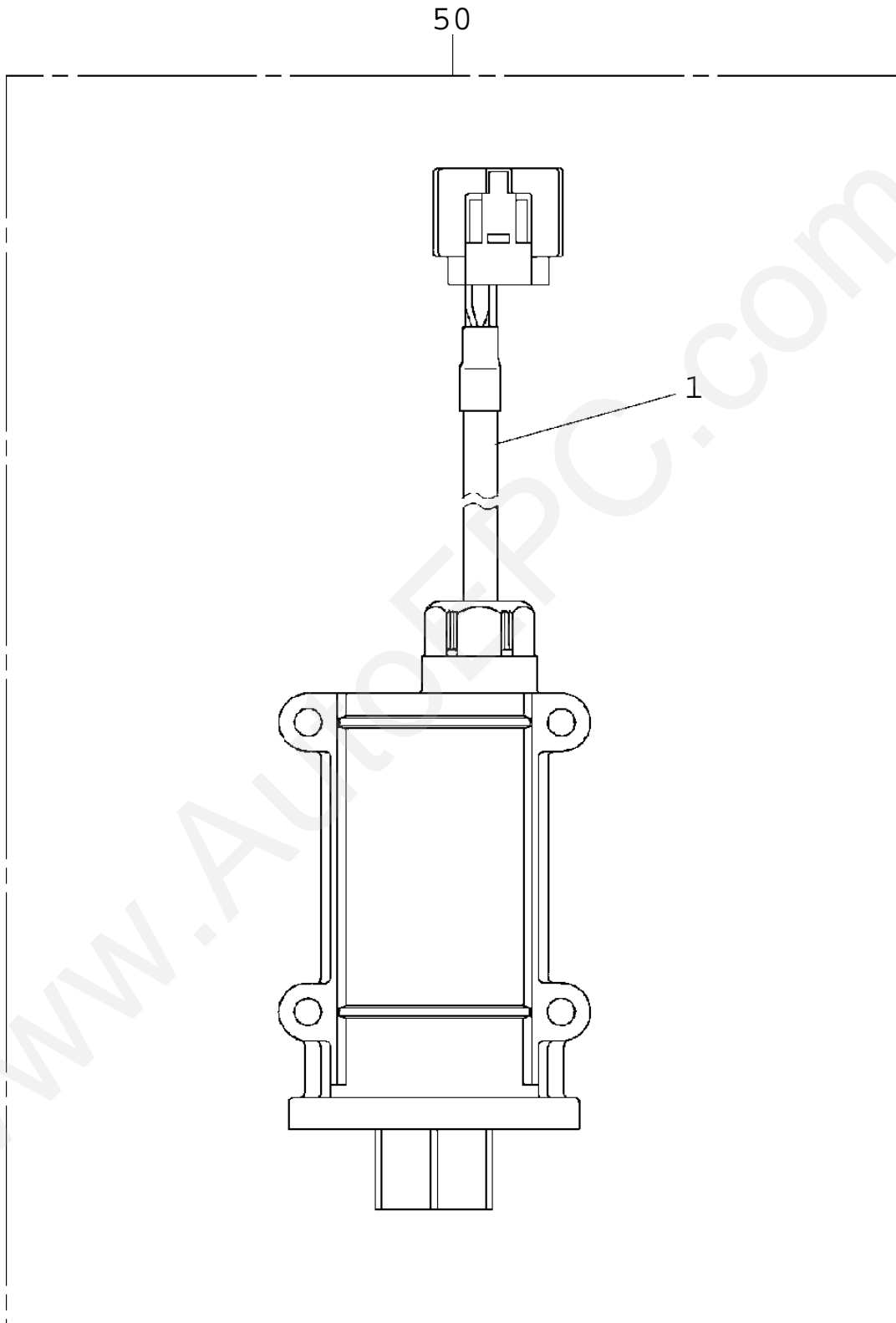


**TM-ZF360 41102210021A FRAME/SL,MANUAL**

Pos No.	Parts No	Parts Name	Qty	Unit	Technical Data	Serial
2	36800085010	GASKET	1			
4	36800565010	CONNECTOR ASSY (SPEAKER)	1			
6	36800565020	CONNECTOR ASSY	1			
11	36800565030	SPACER (RUBBER A)	1			
12	36800555080	LABEL (SEAL)	1			
17	36800565180	LABEL (SEAL)	1			EE6577
21	36800565040	PANEL ASSY (TIRMINAL)	1			
50	36800561000	CONTROL BOX (RADIO CONTROL.M2.B)	1			

www.AutoEPC.com

TM-ZF360 41102210021A FRAME/SL, MANUAL  
PV1040032-01 CONTROL BOX (SELF WINCH RADIO CONTROL)

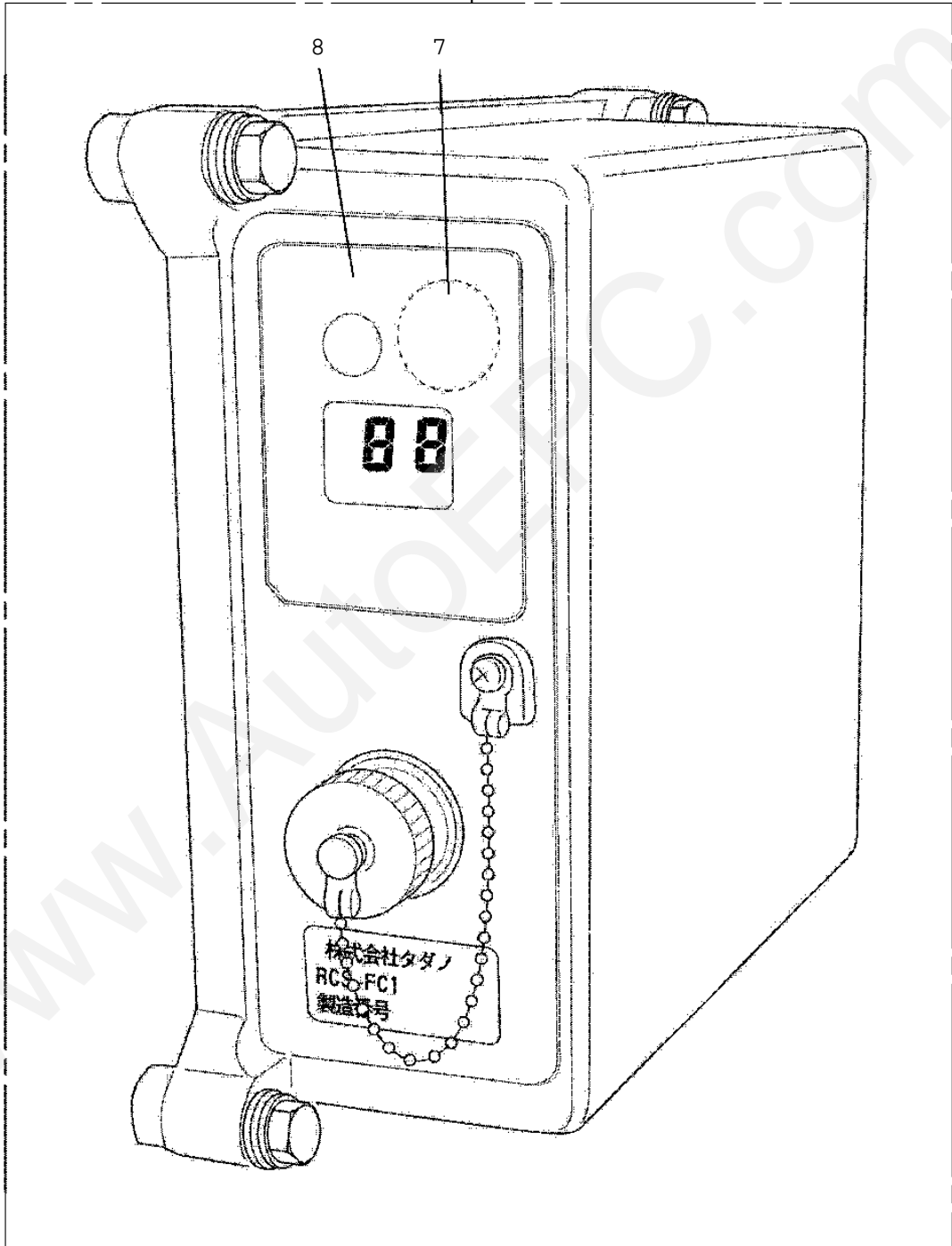


**TM-ZF360 41102210021A FRAME/SL,MANUAL**

Pos No.	Parts No	Parts Name	Qty	Unit	Technical Data
1	36801785020	CABLE ASSY	1		
50	36801783000	CONTROL BOX (SELF WINCH RADIO CONTROL)	1		

www.AutoEPC.com

900

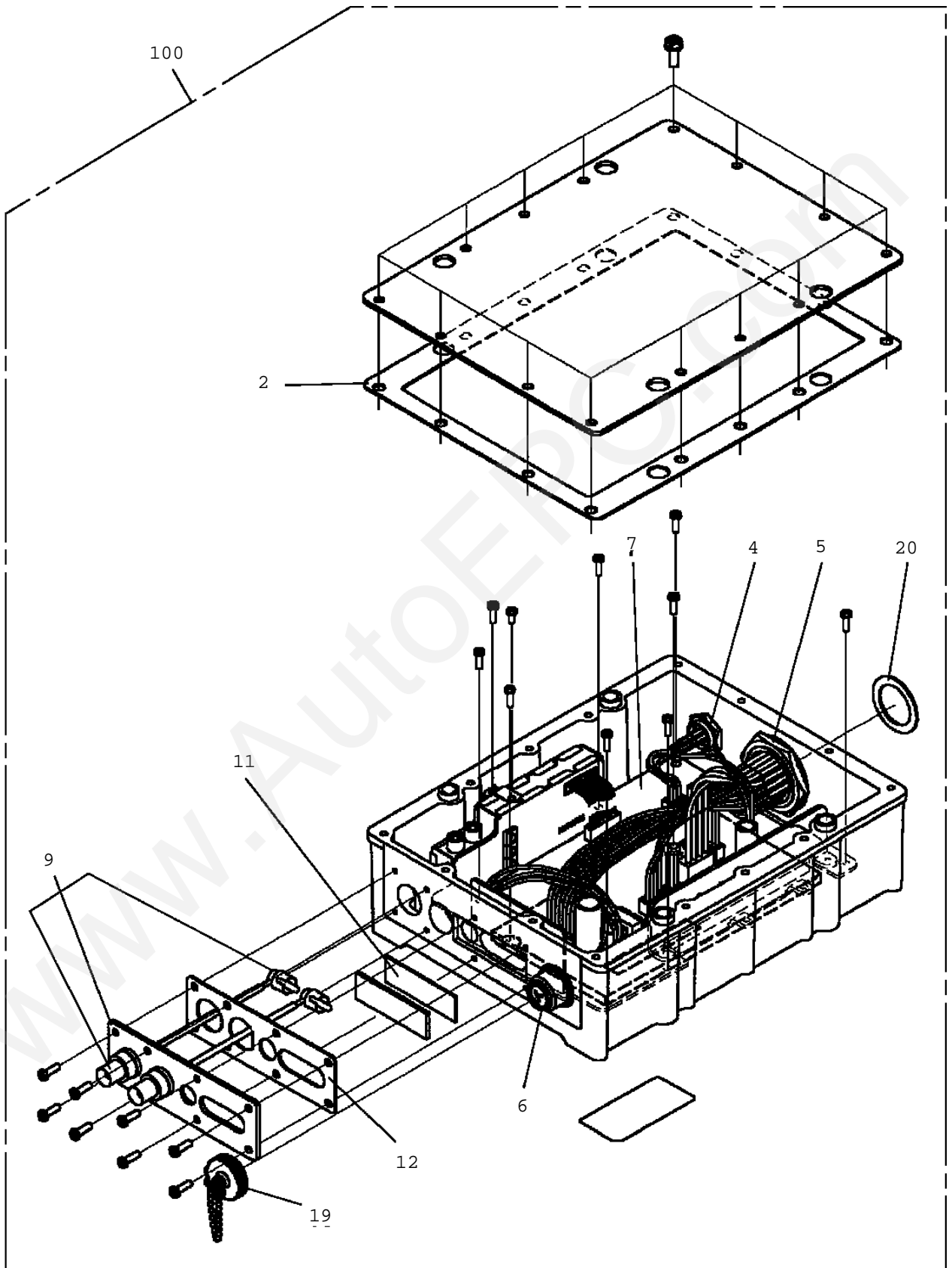


**TM-ZF360 41102210021A FRAME/SL,MANUAL**

Pos No.	Parts No	Parts Name	Qty	Unit	Technical Data	Serial No (Start)	Serial :
7	36804917060	STEM	1				
8	36804917070	PANEL	1				
900	36804911000	CONTROL UNIT	1				

www.AutoEPC.com

TM-ZF360 41102210021A FRAME/SL, MANUAL  
PV1040099-00 CONTROL UNIT

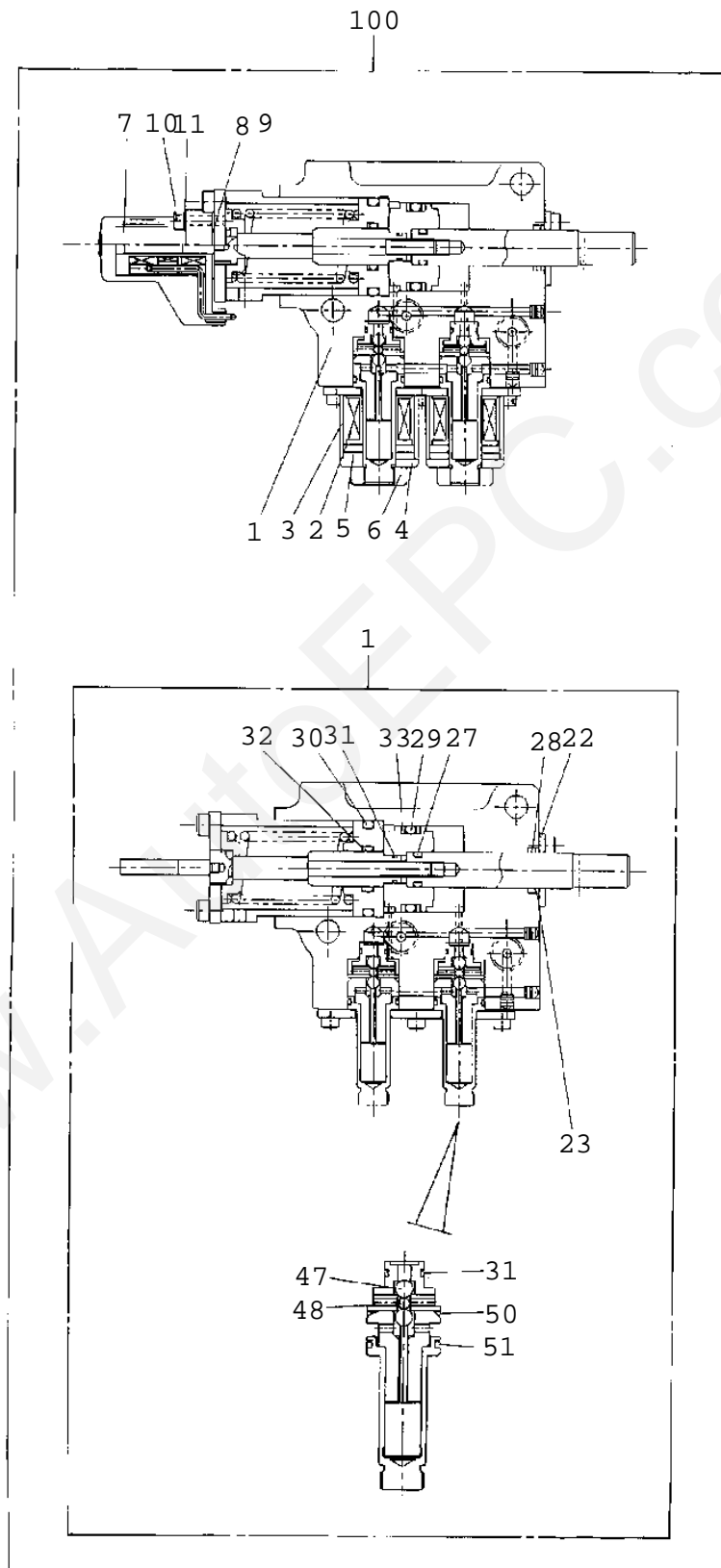


**TM-ZF360 41102210021A FRAME/SL,MANUAL**

Pos No.	Parts No	Parts Name	Qty	Unit	Technical Data	Serial N
2	36800085011	GASKET	1			
4	36800565011	CONNECTOR ASSY (SPEAKER)	1			
5	36800565141	CONNECTOR ASSY (WITH HARNESS)	1			
6	36800565021	CONNECTOR ASSY (WITH HARNESS)	1			
7	36804045011	BOARD ASSY	1			
9	36804015021	PANEL ASSY (TERMINAL)	1			
11	36804015031	SPACER (RUBBER)	1			
12	36800565031	SPACER (RUBBER A)	1			
19	36800175031	CAP	1			
20	36800296101	PACKING (CONNECTOR INNER PART)	1			
100	36804041001	CONTROL UNIT	1			

www.AutoEPC.com

CYLINDER, ACCELERATOR

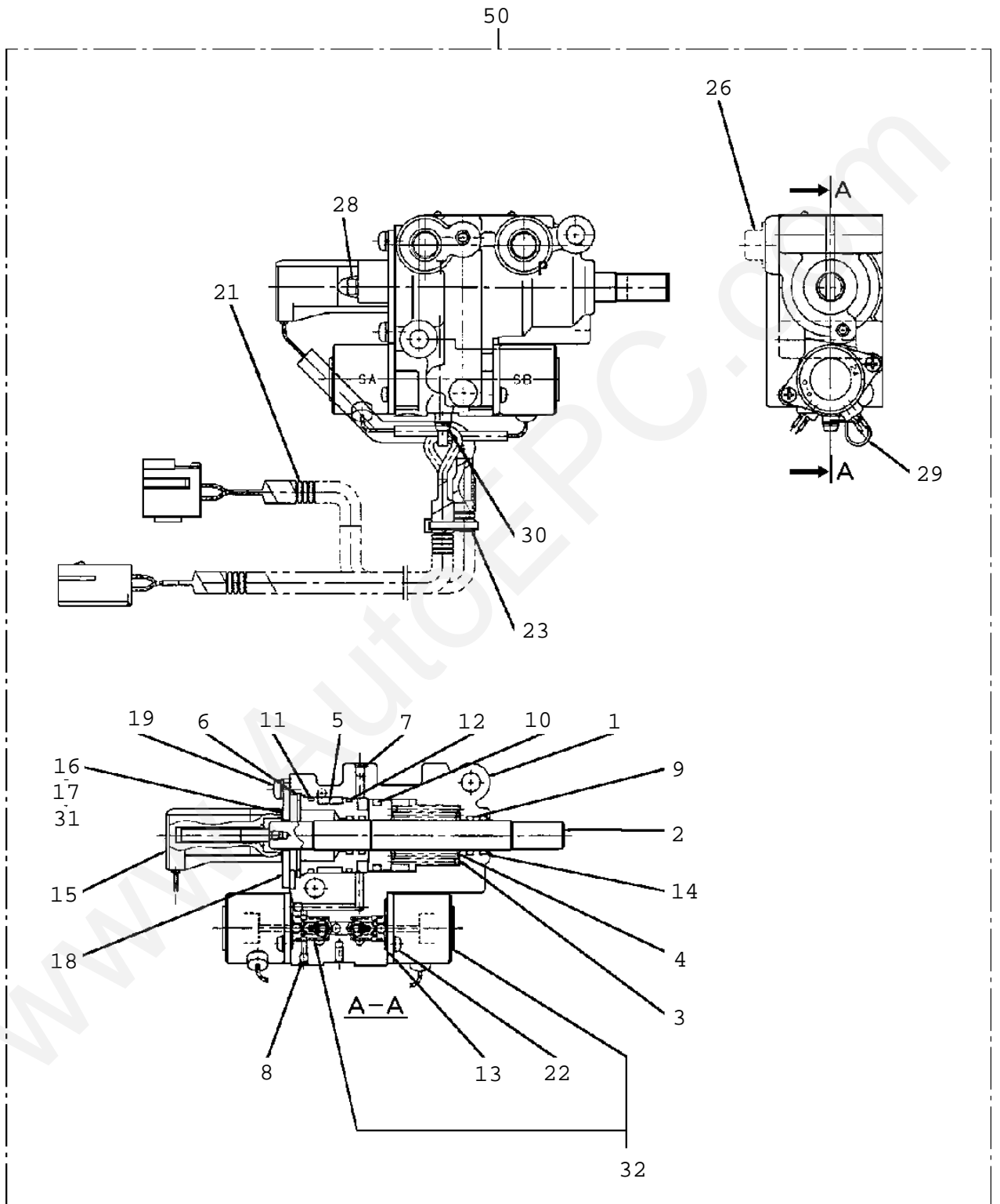




**TM-ZF360 41102210021A FRAME/SL,MANUAL**

Pos No.	Parts No	Parts Name	Qty	Unit	Technical Data	Serial
1	36062605010	BODY KIT (ACCEL.. POSITIONER)	1			
2	36642415250	COIL,SOLENOID (WITHOUT CONNECTOR)	2			
3	36642415230	CASE (COIL)	2			
4	36642415240	YOKE (A)	2			
5	36642415270	YOKE (B)	4			
6	36642415280	NUT	2			
7	36642415290	COIL (LVDT, WITHOUT CONNECTOR)	1			
8	36642415300	SHIM (T=0.5)	2			
9	36642415310	SHIM (T=0.2)	2			
10	36062605020	BOLT,HEXAGON SOCKET(WITH WASHER)	2		M4X15	
11	36062605030	WASHER	2			
22	36642415320	PLATE	1			
23	36642415220	RING,BACKUP	1			
27	91001101001	O-RING	1		1A P10A	
28	91001101400	O-RING	2		1A P14	
29	91001102800	O-RING	1		1A P28	
30	91002803200	O-RING	1		1B P32	
31	91001000900	O-RING	2		S9	
32	91411001400	RING,BACKUP	1		P14	
33	91411002800	RING,BACKUP	2		P28	
47	80560055000	BALL,STEEL	2		3/16	
48	36642415260	BALL,STEEL	1			
50	91001001800	O-RING	1		S18	
51	91000501700	O-RING	1			
100	36062600000	CYLINDER ,ACCELERATOR (NACHI)	1			

TM-ZF360 41102210021A FRAME/SL, MANUAL  
PV1050011-00 CYLINDER, ACCELERATOR



**TM-ZF360 41102210021A FRAME/SL,MANUAL**

Pos No.	Parts No	Parts Name	Qty	Unit	Technical Data	Serial No (Sta
1	36062745010	BODY	1			
2	36062745020	ROD ASSY	1			
3	36062745030	SPRING (A)	1			
4	36062745040	SPRING (B)	1			
5	36062745050	COVER (SEAL)	1			
6	80602110380	RING,RITAINING	1		R38	
7	36648375020	BALL,STEEL	9		3/16	
8	80560054000	BALL,STEEL	5		5/32	
9	91001101400	O-RING	2		1A P14	
10	91001102800	O-RING	1		1A P28	
11	91001003200	O-RING	1		1A S32	
12	91001003150	O-RING	1		1A S31.5	
13	91001002200	O-RING	2		S22	
14	91650001400	SCRAPER	2			
15	36062445011	LVDT ASSY (A/WITH CORE,)	1			
16	36644015220	SHIM (T=0.2)	2			
17	36644015230	SHIM (T=0.3)	2			
18	36062745060	FLANGE	1			
19	80172105008	SCREW,MACHINE	2		M5X8	
21	36062745070	TUBE	2			
22	80172104010	SCREW,MACHINE	5		M4X10	
23	36645405160	BAND	1			
26	36081315130	PROTECTOR (THREAD)	2			
28	36645405100	BOLT	2		M4X22	
29	36062635030	FASTENER	1			
30	90303070401	WASHER,PLAIN	1		4	
31	36645405110	SHIM (T=1.0)	1			
32	36062745080	VALVE,SOLENOID	1			
50	36062740000	CYLINDER,ACCELERATOR	1			

TM-ZF360 41102210021A FRAME/SL,MANUAL  
PV1070133-00 RADIO CONTROL (PARTS)

12	マウント,アンテナ MOUNT,ANTENNA
13	ストーイング ボックス STOWING BOX
11	コントロール ボックス CONTROL BOX
12	スイッチ ボックス SWITCH BOX

**TM-ZF360 41102210021A FRAME/SL,MANUAL**

Pos No.	Parts No	Parts Name	Qty	Unit	Technical Data
2	(*****)	MOUNT,ANTENNA (FOR RADIO CONTROL)	1		
3	36800541000	STOWING BOX (BAG,RADIO CONTROL)	1		
11	36804041001	CONTROL UNIT	1		
	36800561000	CONTROL BOX (RADIO CONTROL.M2.B)	1		
12	36800562001	SWITCH BOX	1		
	36800562000	SWITCH BOX (RADIO CONTROL.M2.TYPE-B)	1		

www.AutoEPC.com

TM-ZF360 41102210021A FRAME/SL,MANUAL  
PV1070398-00 RADIO CONTROL (KIT:MITSUMI)

指示番号 KEY NO.	ラジオコントロール (キット:ミツミセイ) RADIO CONTROL (KIT:MITSUMI)
1	スイッチボックス SWITCH BOX
2	アンテナ ANTENNA
3	コントロールユニット CONTROL UNIT

**TM-ZF360 41102210021A FRAME/SL,MANUAL**

Pos No.	Parts No	Parts Name	Qty	Unit	Technical Data
1	36801781000	SWITCH BOX (SELF WINCH RADIO CONTROL)	1		
2	36801782000	ANTENNA (FOR RADIO CONTROL)	1		
3	36801783000	CONTROL BOX (SELF WINCH RADIO CONTROL)	1		

www.AutoEPC.com

1	ハイセンASSY ELEC.ASSY
3	デテクタ,オーバ フロント エリア DETECTOR,OVER FRONT AREA
4	インジケータ,アウトリガ INDICATOR,OUTRIGGER
5	デテクタ,ロード DETECTOR,LOAD
6	スイッチ インスタレーション SWITCH INSTALLATION
7	プレートASSY,ネーム PLATE ASSY,NAME
9	デテクタ,ブーム レンクス DETECTOR,BOOM LENGTH
10	モーメント リミッタ MOMENT LIMITER
11	プレートASSY,ネーム PLATE ASSY,NAME



**TM-ZF360 41102210021A FRAME/SL,MANUAL**

Pos No.	Parts No	Parts Name	Qty	Unit	Technical Data
1	(***** )	ELEC. ASSY (BML,OPTION)	1		
3	(***** )	DETECTOR,OVER FRONT AREA (BML,OPTION)	1		
4	(***** )	INDICATOR,OUTRIGGER	1		
5	(***** )	DETECTOR,LOAD (BML,OPTION)	1		
6	(***** )	SWITCH INSTALLATION (BML)	1		
7	(***** )	PLATE ASSY,NAME (BML,OPTION)	1		
9	36131310000	DETECTOR,BOOM LENGTH (BML,OPTION)	1		
10	36118060000	MOMENT LIMITER (BML-PB)	1		
11	(***** )	PLATE ASSY,NAME (BML BOOM,OPTION)	1		

www.AutoEPC.com

1	ハイセンASSY ELEC.ASSY
3	デテクタ,オーバ フロント エリア DETECTOR,OVER FRONT AREA
4	インジケータ,アウトリガ INDICATOR,OUTRIGGER
5	デテクタ,ロード DETECTOR,LOAD
6	スイッチ インスタレーション SWITCH INSTALLATION
7	プレートASSY,ネーム PLATE ASSY,NAME
9	デテクタ,ブーム レンクス DETECTOR,BOOM LENGTH
10	モーメント リミッタ MOMENT LIMITER
11	プレートASSY,ネーム PLATE ASSY,NAME

**TM-ZF360 41102210021A FRAME/SL,MANUAL**

Pos No.	Parts No	Parts Name	Qty	Unit	Technical Data
1	(***** )	ELEC.ASSY (BML,OPTION)	1		
3	(***** )	DETECTOR,OVER FRONT AREA (BML,OPTION)	1		
4	(***** )	INDICATOR,OUTRIGGER	1		
5	(***** )	DETECTOR,LOAD (BML,OPTION)	1		
6	(***** )	SWITCH INSTALLATION (BML)	1		
7	(***** )	PLATE ASSY,NAME (BML,OPTION)	1		
9	36131310000	DETECTOR,BOOM LENGTH (BML,OPTION)	1		
10	36118060000	MOMENT LIMITER (BML-PB)	1		
11	(***** )	PLATE ASSY,NAME (BML BOOM,OPTION)	1		

www.AutoEPC.com

1	ハイセンASSY ELEC.ASSY
3	デテクタ,オーバ フロント エリア DETECTOR,OVER FRONT AREA
4	インジケータ,アウトリガ INDICATOR,OUTRIGGER
5	デテクタ,ロード DETECTOR,LOAD
6	スイッチ インスタレーション SWITCH INSTALLATION
7	プレートASSY,ネーム PLATE ASSY,NAME
9	デテクタ,ブーム レンクス DETECTOR,BOOM LENGTH
10	モーメント リミッタ MOMENT LIMITER
11	プレートASSY,ネーム PLATE ASSY,NAME

**TM-ZF360 41102210021A FRAME/SL,MANUAL**

Pos No.	Parts No	Parts Name	Qty	Unit	Technical Data
1	(*****)	ELEC.ASSY (BML,OPTION)	1		
3	(*****)	DETECTOR,OVER FRONT AREA (BML,OPTION)	1		
4	(*****)	INDICATOR,OUTRIGGER	1		
5	(*****)	DETECTOR,LOAD (BML,OPTION)	1		
6	(*****)	SWITCH INSTALLATION (BML)	1		
7	(*****)	PLATE ASSY,NAME (BML,OPTION)	1		
9	36131310000	DETECTOR,BOOM LENGTH (BML,OPTION)	1		
10	36118060000	MOMENT LIMITER (BML-PB)	1		
11	(*****)	PLATE ASSY,NAME (BML BOOM,OPTION)	1		

www.AutoEPC.com

1	ハイセンASSY ELEC.ASSY
3	デテクタ,オーバ フロント エリア DETECTOR,OVER FRONT AREA
4	インジケータ,アウトリガ INDICATOR,OUTRIGGER
5	デテクタ,ロード DETECTOR,LOAD
6	スイッチ インスタレーション SWITCH INSTALLATION
7	プレートASSY,ネーム PLATE ASSY,NAME
9	デテクタ,ブーム レンクス DETECTOR,BOOM LENGTH
10	モーメント リミッタ MOMENT LIMITER
11	プレートASSY,ネーム PLATE ASSY,NAME

**TM-ZF360 41102210021A FRAME/SL,MANUAL**

Pos No.	Parts No	Parts Name	Qty	Unit	Technical Data
1	(***** )	ELEC.ASSY (BML,OPTION)	1		
3	(***** )	DETECTOR,OVER FRONT AREA (BML,OPTION)	1		
4	(***** )	INDICATOR,OUTRIGGER	1		
5	(***** )	DETECTOR,LOAD (BML,OPTION)	1		
6	(***** )	SWITCH INSTALLATION (BML)	1		
7	(***** )	PLATE ASSY,NAME (BML,OPTION)	1		
9	36131380000	DETECTOR,BOOM LENGTH (BML,OPTION)	1		
10	36118060000	MOMENT LIMITER (BML-PB)	1		
11	(***** )	PLATE ASSY,NAME (BML BOOM,OPTION)	1		

www.AutoEPC.com

1	ハイセンASSY ELEC.ASSY
3	デテクタ,オーバ フロント エリア DETECTOR,OVER FRONT AREA
4	インジケータ,アウトリガ INDICATOR,OUTRIGGER
5	デテクタ,ロード DETECTOR,LOAD
6	スイッチ インスタレーション SWITCH INSTALLATION
7	プレートASSY,ネーム PLATE ASSY,NAME
9	デテクタ,ブーム レンクス DETECTOR,BOOM LENGTH
10	モーメント リミッタ MOMENT LIMITER
11	プレートASSY,ネーム PLATE ASSY,NAME



**TM-ZF360 41102210021A FRAME/SL,MANUAL**

Pos No.	Parts No	Parts Name	Qty	Unit	Technical Data
1	(***** )	ELEC.ASSY (BML,OPTION)	1		
3	(***** )	DETECTOR,OVER FRONT AREA (BML,OPTION)	1		
4	(***** )	INDICATOR,OUTRIGGER	1		
5	(***** )	DETECTOR,LOAD (BML,OPTION)	1		
6	(***** )	SWITCH INSTALLATION (BML)	1		
7	(***** )	PLATE ASSY,NAME (BML,OPTION)	1		
9	36131380000	DETECTOR,BOOM LENGTH (BML,OPTION)	1		
10	36118060000	MOMENT LIMITER (BML-PB)	1		
11	(***** )	PLATE ASSY,NAME (BML BOOM,OPTION)	1		

www.AutoEPC.com

1	ハイセンASSY ELEC.ASSY
3	デテクタ,オーバ フロント エリア DETECTOR,OVER FRONT AREA
4	インジケータ,アウトリガ INDICATOR,OUTRIGGER
5	デテクタ,ロード DETECTOR,LOAD
6	スイッチ インスタレーション SWITCH INSTALLATION
7	プレートASSY,ネーム PLATE ASSY,NAME
9	デテクタ,ブーム レンクス DETECTOR,BOOM LENGTH
10	モーメント リミッタ MOMENT LIMITER
11	プレートASSY,ネーム PLATE ASSY,NAME

**TM-ZF360 41102210021A FRAME/SL,MANUAL**

Pos No.	Parts No	Parts Name	Qty	Unit	Technical Data
1	(***** )	ELEC.ASSY (BML,OPTION)	1		
3	(***** )	DETECTOR,OVER FRONT AREA (BML,OPTION)	1		
4	(***** )	INDICATOR,OUTRIGGER	1		
5	(***** )	DETECTOR,LOAD (BML,OPTION)	1		
6	(***** )	SWITCH INSTALLATION (BML)	1		
7	(***** )	PLATE ASSY,NAME (BML,OPTION)	1		
9	36131380000	DETECTOR,BOOM LENGTH (BML,OPTION)	1		
10	36118060000	MOMENT LIMITER (BML-PB)	1		
11	(***** )	PLATE ASSY,NAME (BML BOOM,OPTION)	1		

www.AutoEPC.com

TM-ZF360 41102210021A FRAME/SL,MANUAL  
PV1090009-00 PARTS,AWL

1	ハイセンASSY ELEC.ASSY
3	プレートASSY,ネーム PLATE ASSY,NAME
4	ワーキング エリア リミッタ WORKING AREA LIMITER

**TM-ZF360 41102210021A FRAME/SL,MANUAL**

Pos No.	Parts No	Parts Name	Qty	Unit	Technical Data	Serial N
1	(***** )	ELEC.ASSY (AWL)	1			
3	(***** )	PLATE ASSY,NAME (AWL)	1			
4	36117090000	WORKING AREA LIMITER (AWL-N)	1			

www.AutoEPC.com

TM-ZF360 41102210021A FRAME/SL,MANUAL  
PV1090010-00 PARTS,AWL

1	ハイセンASSY ELEC.ASSY
3	プレートASSY,ネーム PLATE ASSY,NAME
4	ワーキング エリア リミッタ WORKING AREA LIMITER

**TM-ZF360 41102210021A FRAME/SL,MANUAL**

Pos No.	Parts No	Parts Name	Qty	Unit	Technical Data	Serial N
1	(*****)	ELEC.ASSY (AWL)	1			
3	(*****)	PLATE ASSY,NAME (AWL)	1			
4	36117770000	WORKING AREA LIMITER (AWL-N)	1			

www.AutoEPC.com

TM-ZF360 41102210021A FRAME/SL,MANUAL  
PV1090011-00 PARTS,AWL

1	ハイセンASSY ELEC.ASSY
3	プレートASSY,ネーム PLATE ASSY,NAME
4	ワーキング エリア リミッタ WORKING AREA LIMITER



**TM-ZF360 41102210021A FRAME/SL,MANUAL**

Pos No.	Parts No	Parts Name	Qty	Unit	Technical Data	Serial N
1	(***** )	ELEC.ASSY (AWL)	1			
3	(***** )	PLATE ASSY,NAME (AWL)	1			
4	36117840000	WORKING AREA LIMITER (AWL-N)	1			

www.AutoEPC.com

TM-ZF360 41102210021A FRAME/SL,MANUAL  
PV1090012-00 PARTS,AWL

1	ハイセンASSY ELEC.ASSY
3	プレートASSY,ネーム PLATE ASSY,NAME
4	ワーキング エリア リミッタ WORKING AREA LIMITER

**TM-ZF360 41102210021A FRAME/SL,MANUAL**

Pos No.	Parts No	Parts Name	Qty	Unit	Technical Data	Serial N
1	(*****)	ELEC.ASSY (AWL)	1			
3	(*****)	PLATE ASSY,NAME (AWL)	1			
4	3611781000	WORKING AREA LIMITER (AWL-N)	1			

www.AutoEPC.com

TM-ZF360 41102210021A FRAME/SL,MANUAL  
PV1090014-00 PARTS,AWL

1	ハイセンASSY ELEC.ASSY
3	プレートASSY,ネーム PLATE ASSY,NAME
4	ワーキング エリア リミッタ WORKING AREA LIMITER

**TM-ZF360 41102210021A FRAME/SL,MANUAL**

Pos No.	Parts No	Parts Name	Qty	Unit	Technical Data	Serial N
1	(***** )	ELEC.ASSY (AWL)	1			
3	(***** )	PLATE ASSY,NAME (AWL)	1			
4	36117990000	WORKING AREA LIMITER (AWL-N)	1			

www.AutoEPC.com

TM-ZF360 41102210021A FRAME/SL,MANUAL  
PV1090026-00 PARTS,AWL (2-4 SECT./RADICON OR MH)

指示番号 KEY NO.	パーツ,AWL (2-4セクション,ニニイ/ラジコンORマニュアルフックイン) PARTS,AWL (2-4 SECT./RADICON OR MANUAL HOOK-IN)
1	ハイセンASSY ELEC.ASSY
3	プレートASSY,ネーム PLATE ASSY,NAME
4	ディテクタ,ブーム レンクス DETECTOR,BOOM LENGTH
6	モーメント リミッタ MOMENT LIMITER
8	ハイセンASSY (スペア ハーネス) ELEC.ASSY (SPARE HARNESS)
12	マウント MOUNT

**TM-ZF360 41102210021A FRAME/SL,MANUAL**

Pos No.	Parts No	Parts Name	Qty	Unit	Technical Data	Serial N
1	(***** )	ELEC.ASSY	1			
3	(***** )	PLATE ASSY,NAME (UPPER)	1			
4	(***** )	DETECTOR,BOOM LENGTH (MOUNT)	1			
6	3619466000	MOMENT LIMITER (BML)	1			
8	(***** )	ELEC.ASSY (SPARE HARNESS)	1			
12	(***** )	MOUNT (BOOM)	1			

www.AutoEPC.com

TM-ZF360 41102210021A FRAME/SL,MANUAL  
PV1090027-00 PARTS,AWL (5,6 SECT./RADICON OR MH)

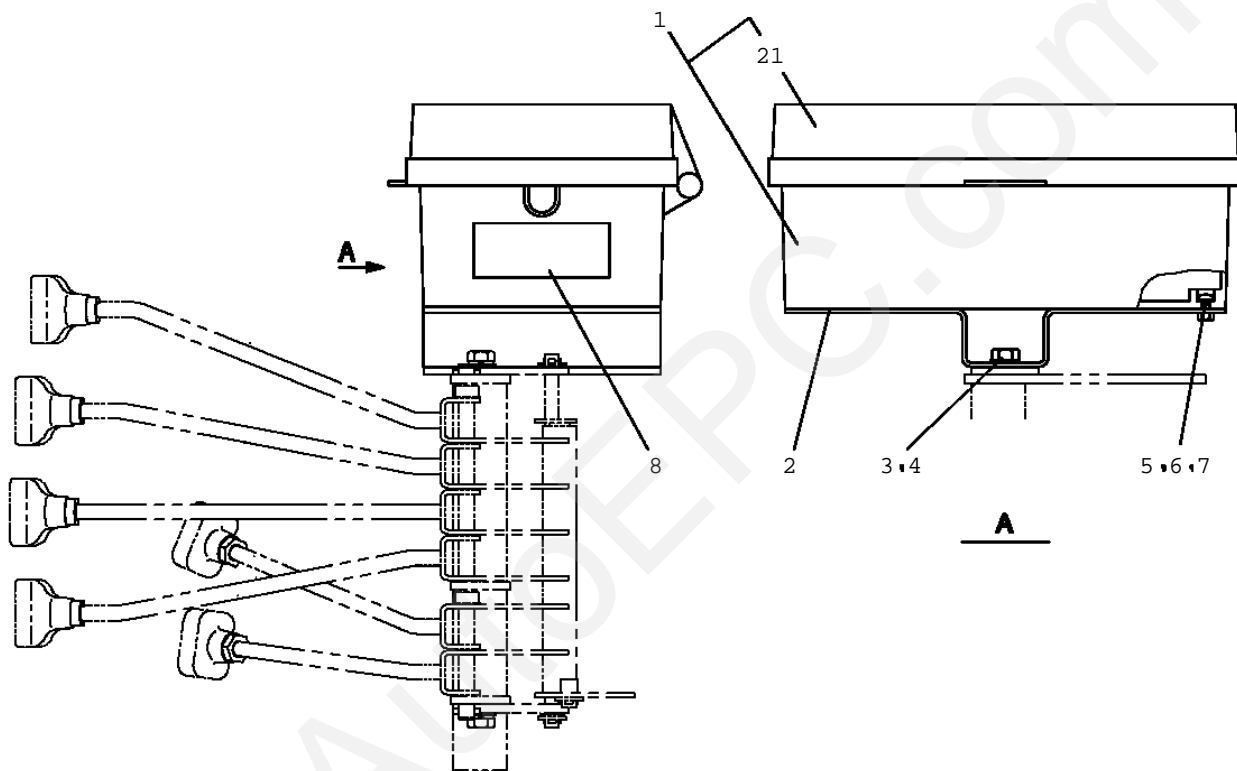
指示番号 KEY NO.	パーツ,AWL (5,6セクション,ニニイ/ラジコンORマニュアルフックイン) PARTS,AWL (5,6 SECT./RADICON OR MANUAL HOOK-IN)
1	ハイセンASSY ELEC.ASSY
3	プレートASSY,ネーム PLATE ASSY,NAME
4	ディテクタ,ブーム レンクス DETECTOR,BOOM LENGTH
6	モーメント リミッタ MOMENT LIMITER
8	ハイセンASSY (スペア ハーネス) ELEC.ASSY (SPARE HARNESS)
12	マウント MOUNT




**TM-ZF360 41102210021A FRAME/SL,MANUAL**

Pos No.	Parts No	Parts Name	Qty	Unit	Technical Data	Serial N
1	(***** )	ELEC.ASSY	1			
3	(***** )	PLATE ASSY,NAME (UPPER)	1			
4	(***** )	DETECTOR,BOOM LENGTH (MOUNT)	1			
6	3619466000	MOMENT LIMITER (BML)	1			
8	(***** )	ELEC.ASSY (SPARE HARNESS)	1			
12	(***** )	MOUNT (BOOM)	1			

www.AutoEPC.com



8

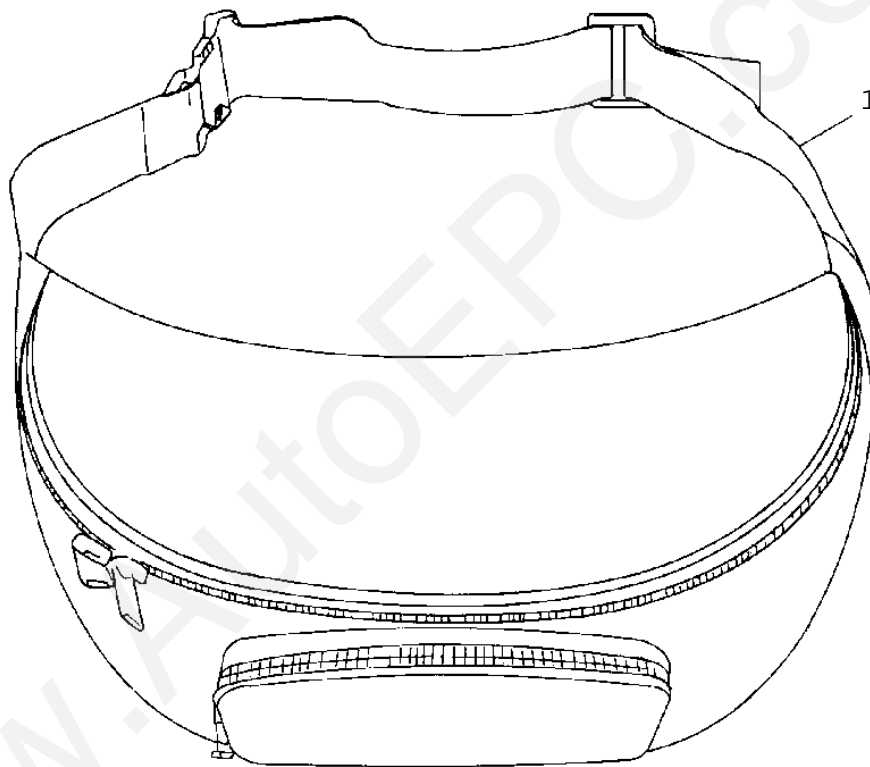
	<b>高压洗净禁止</b>
格納箱の中にはウエスなど湿気を ふくむものは入れないでください。	
368-001-74300	

**TM-ZF360 41102210021A FRAME/SL,MANUAL**

Pos No.	Parts No	Parts Name	Qty	Unit	Technical Data	Serial No (Start)	Serial
1	36800174100	BOX	1				
2	36800174201	SUPPORT	1				
3	90101210014	BOLT	2		M10X14		
4	90302041001	WASHER, SPRING	2		10		
5	80182306016	SCREW, MACHINE	4		M6X16		
6	90303100601	WASHER, PLAIN	4		6		
7	90201200600	NUT	4		M6		
8	36800174300	PLATE, CAUTION	1				
21	36800175090	COVER (UPPER)	1				

www.AutoEPC.com

TM-ZF360 41102210021A FRAME/SL, MANUAL  
PV1250006-00 STOWING BOX (BAG, RADIO CONTROL)



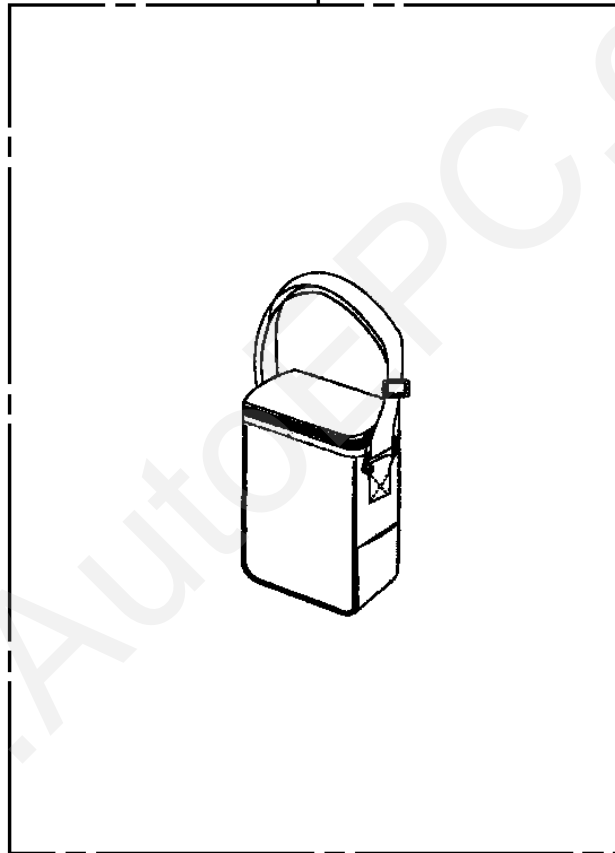
**TM-ZF360 41102210021A FRAME/SL,MANUAL**

Pos No.	Parts No	Parts Name	Qty	Unit	Technical Data	Serial
1	36800541000	STOWING BOX (BAG,RADIO CONTROL)	1			

www.AutoEPC.com

TM-ZF360 41102210021A FRAME/SL, MANUAL  
PV1250013-00 BOX, STOWING

10

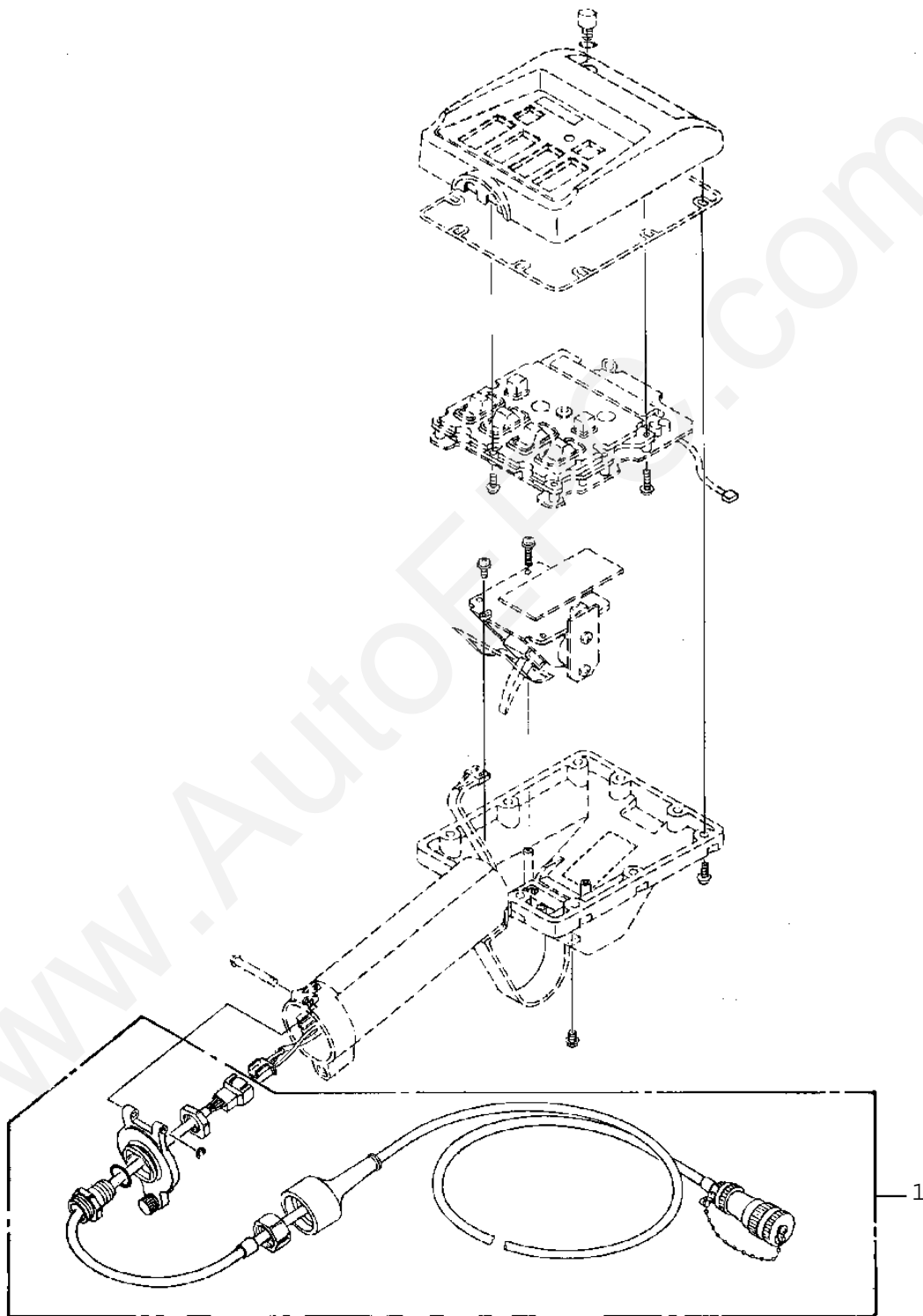


**TM-ZF360 41102210021A FRAME/SL,MANUAL**

Pos No.	Parts No	Parts Name	Qty	Unit	Technical Data	Serial No (Start)	Serial N
10	36804914000	BOX,STOWING	1				

www.AutoEPC.com

TM-ZF360 41102210021A FRAME/SL, MANUAL  
PV1300007-00 CABLE,REMOTE CONTROL (T,OPTION 20M)



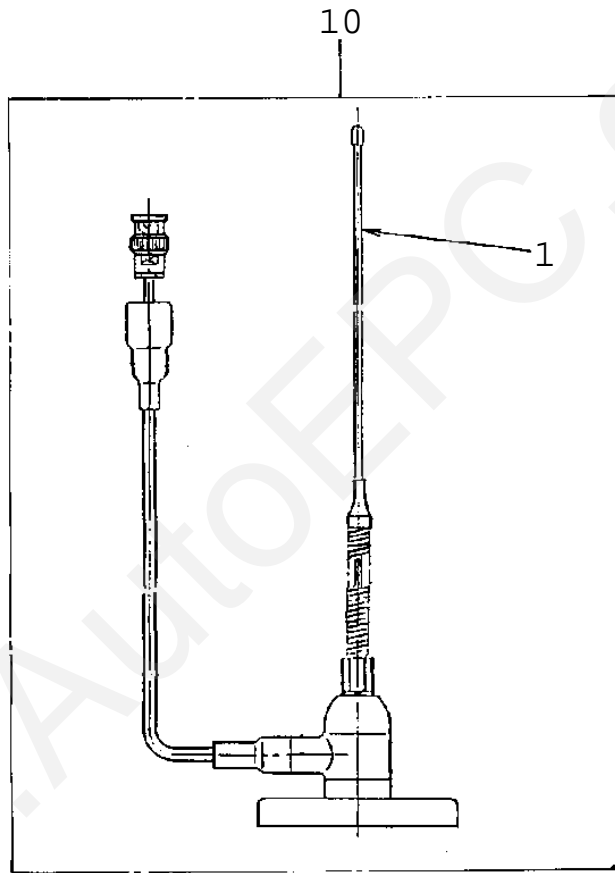


**TM-ZF360 41102210021A FRAME/SL,MANUAL**

Pos No.	Parts No	Parts Name	Qty	Unit	Technical Data	Ser
1	36800280000	CABLE,REMOTE CONTROL (T,OPTION 20M)	1			

www.AutoEPC.com

TM-ZF360 41102210021A FRAME/SL, MANUAL  
PV1400011-00 ANTENNA (15M. TRAVELLING TYPE A, B)

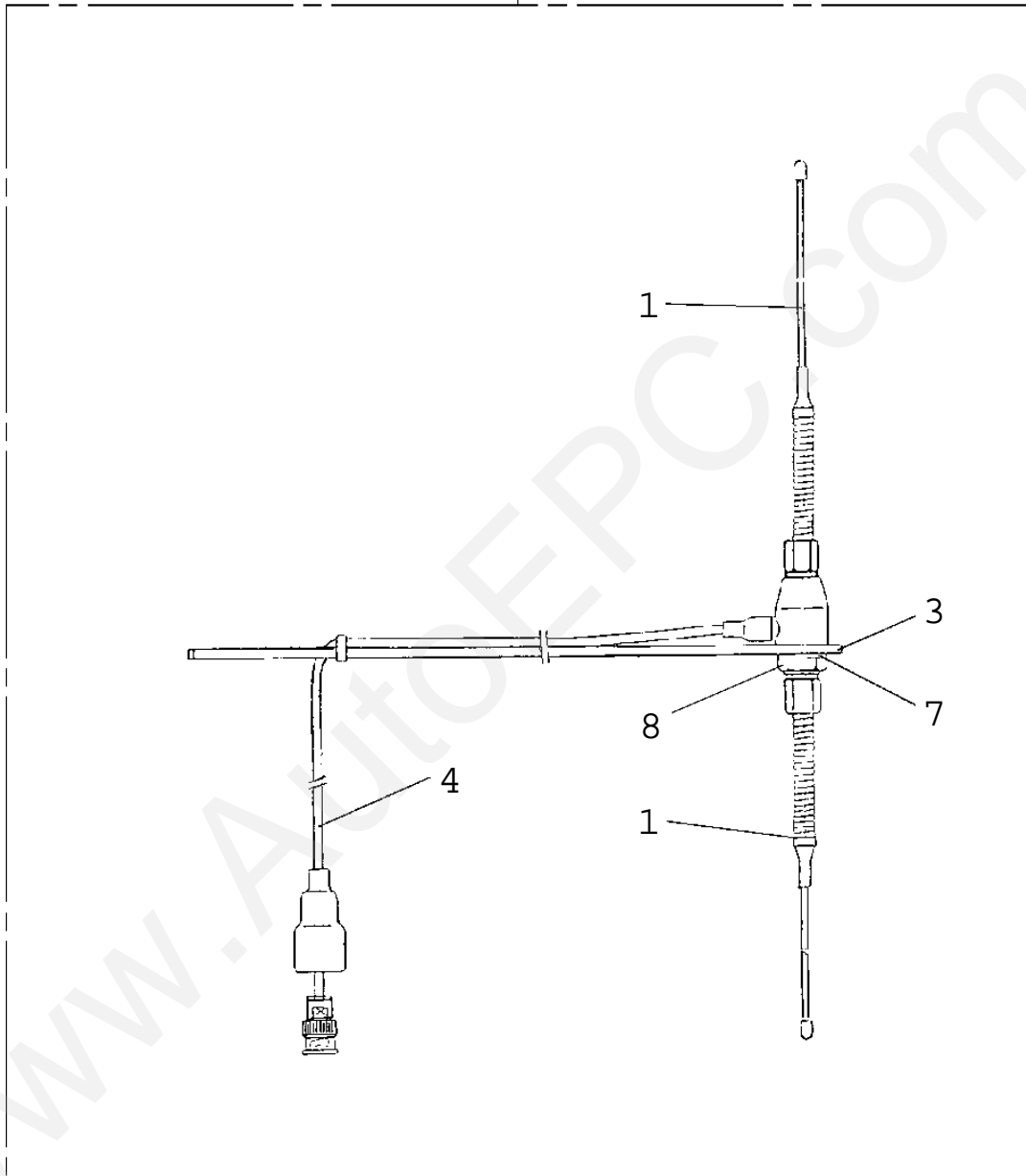


**TM-ZF360 41102210021A FRAME/SL,MANUAL**

Pos No.	Parts No	Parts Name	Qty	Unit	Technical Data	Ser
1	36800335010	ELEMENT,ANTENNA (FLEXIBLE,TYPE A,B)	1			
10	36800150000	ANTENNA (15M.TRAVELLING TYPE A,B)	1			

www.AutoEPC.com

10

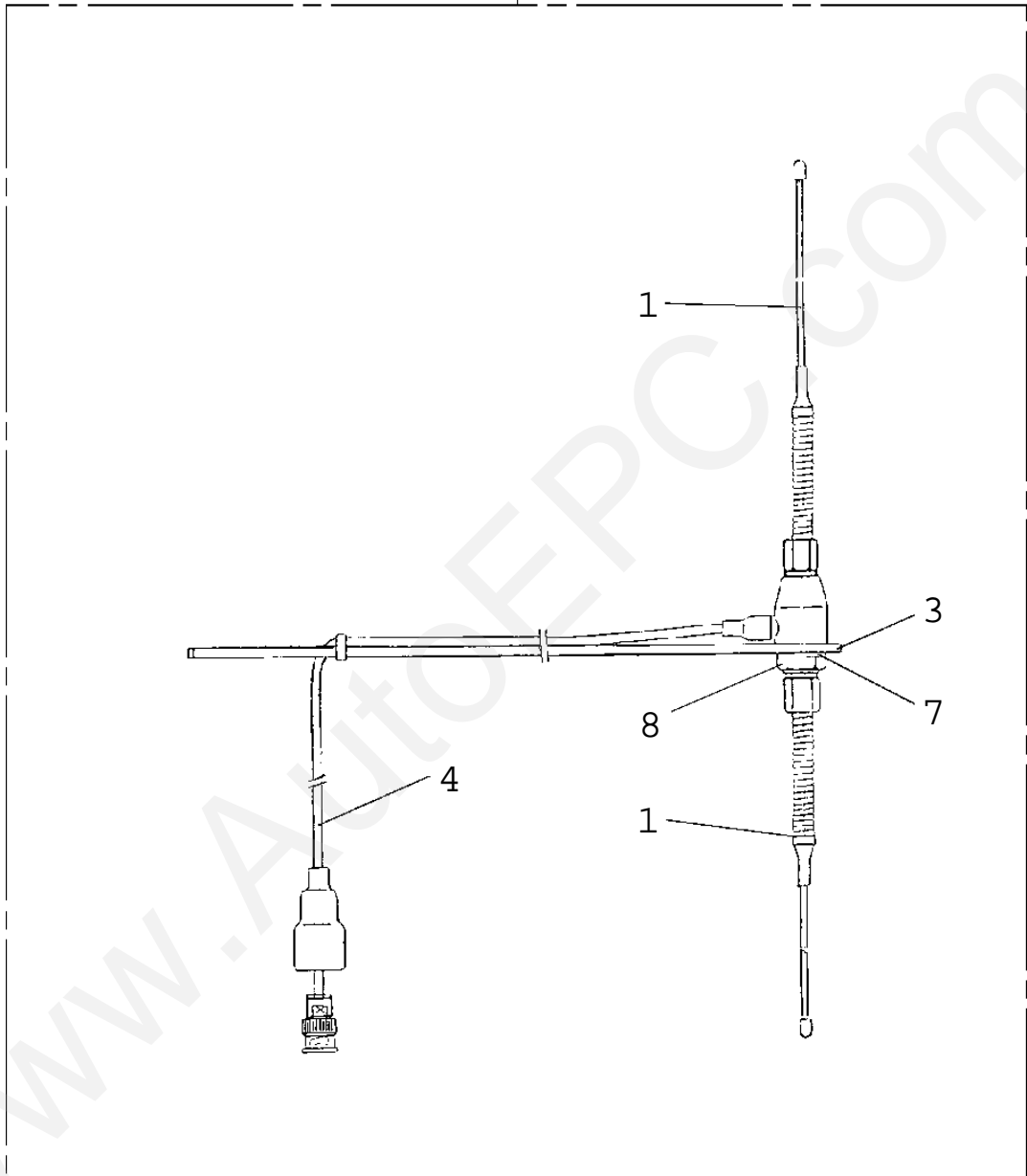


**TM-ZF360 41102210021A FRAME/SL,MANUAL**

Pos No.	Parts No	Parts Name	Qty	Unit	Technical Data	Ser
1	36800335010	ELEMENT,ANTENNA (FLEXIBLE,TYPE A,B)	2			
3	36800615010	ARM (28X300)	1			
4	36800145010	CABLE	1		10M	
	36800145011	CABLE	1		10M	KA1
7	36800145020	WASHER	1			
8	36800145030	NUT	1			
10	36800610000	ANTENNA (FOR RADIO CONTROL)	1			

www.AutoEPC.com

10

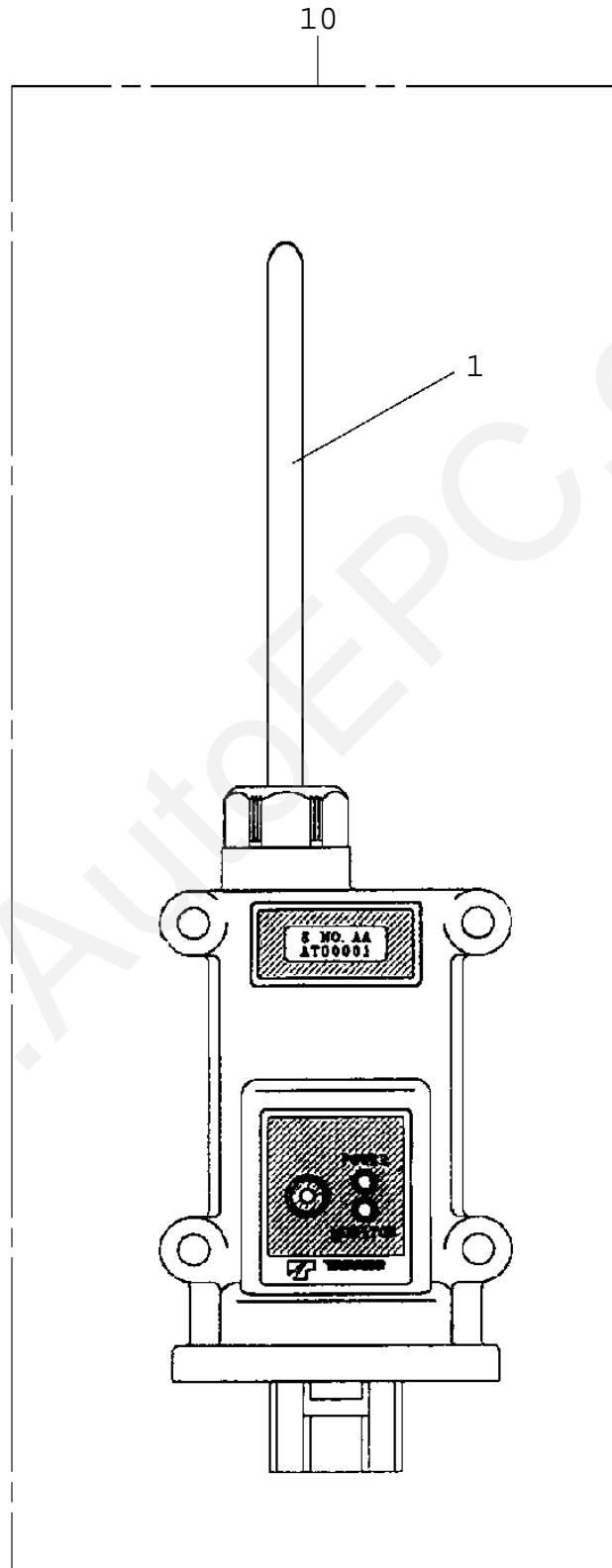


**TM-ZF360 41102210021A FRAME/SL,MANUAL**

Pos No.	Parts No	Parts Name	Qty	Unit	Technical Data	Ser
1	36800335010	ELEMENT,ANTENNA (FLEXIBLE,TYPE A,B)	2			
3	36800615010	ARM (28X300)	1			
4	36800625010	CABLE	1		8M	
	36800625011	CABLE	1		8M	KA1
7	36800145020	WASHER	1			
8	36800145030	NUT	1			
10	36800620000	ANTENNA (FOR RADIO CONTROL)	1			

www.AutoEPC.com

TM-ZF360 41102210021A FRAME/SL, MANUAL  
PV1400021-01 ANTENNA (FOR RADIO CONTROL)

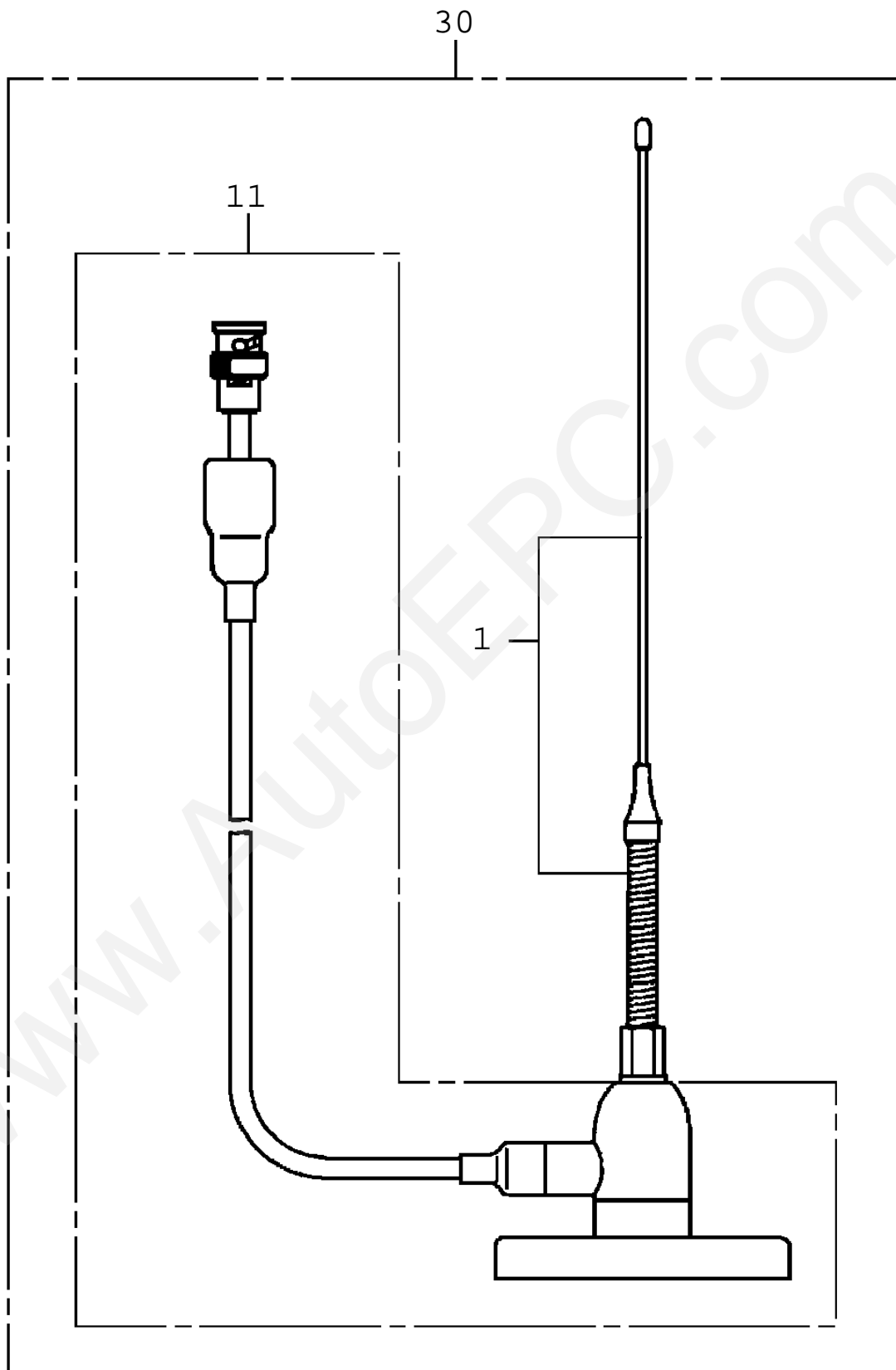




**TM-ZF360 41102210021A FRAME/SL,MANUAL**

Pos No.	Parts No	Parts Name	Qty	Unit	Technical Data	Serial No (
1	36801785030	ELEMENT	1			
10	36801782000	ANTENNA (FOR RADIO CONTROL)	1			

www.AutoEPC.com

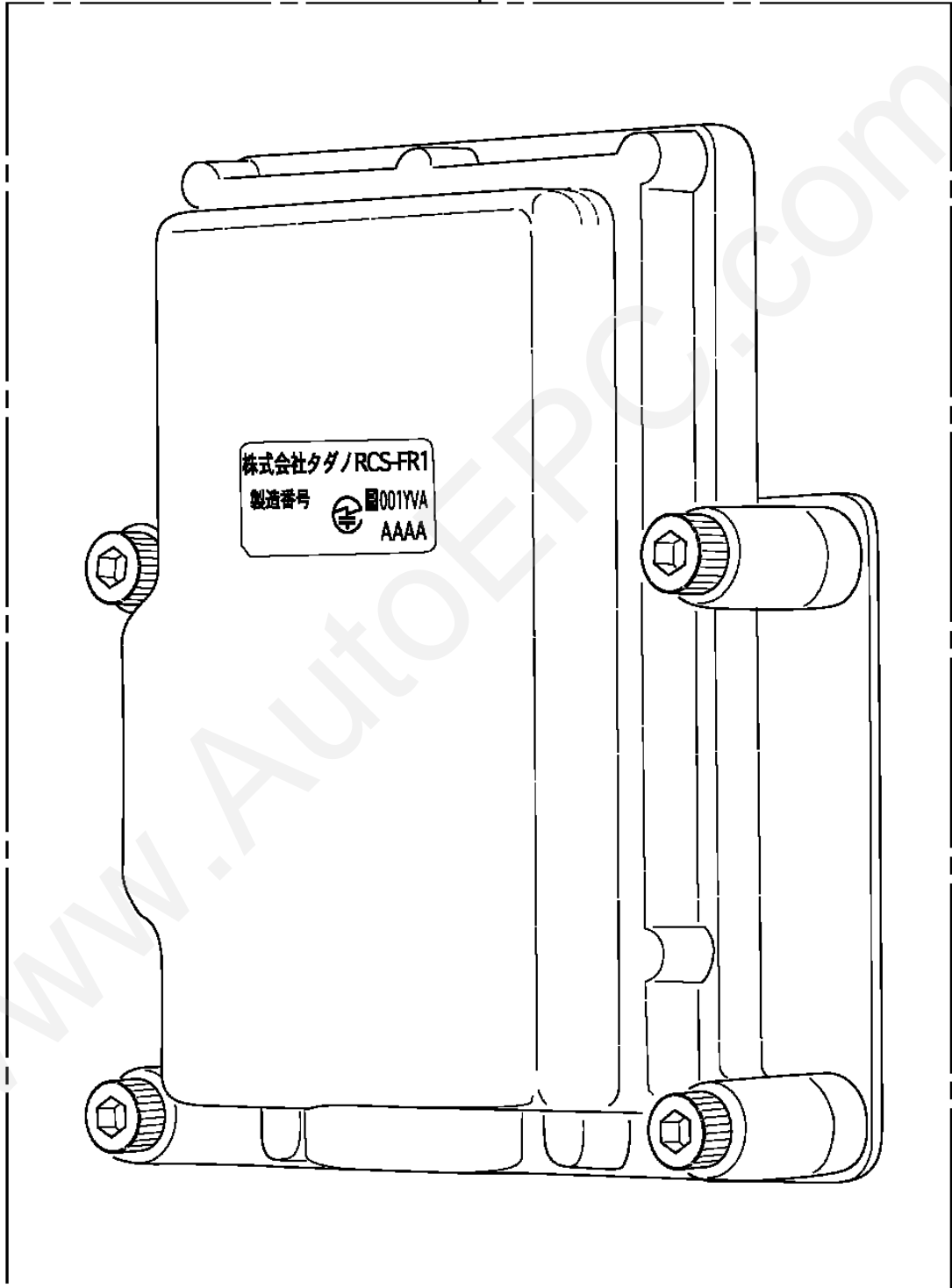


**TM-ZF360 41102210021A FRAME/SL,MANUAL**

Pos No.	Parts No	Parts Name	Qty	Unit	Technical Data	Ser
1	36802765010	ELEMENT,ANTENNA (FLEXIBLE)	1			
11	36802765020	CABLE ASSY (WITH MAGNET COVER)	1			
30	36802760000	ANTENNA (15M.TRAVELLING TYPE C,D,E)	1			

www.AutoEPC.com

10

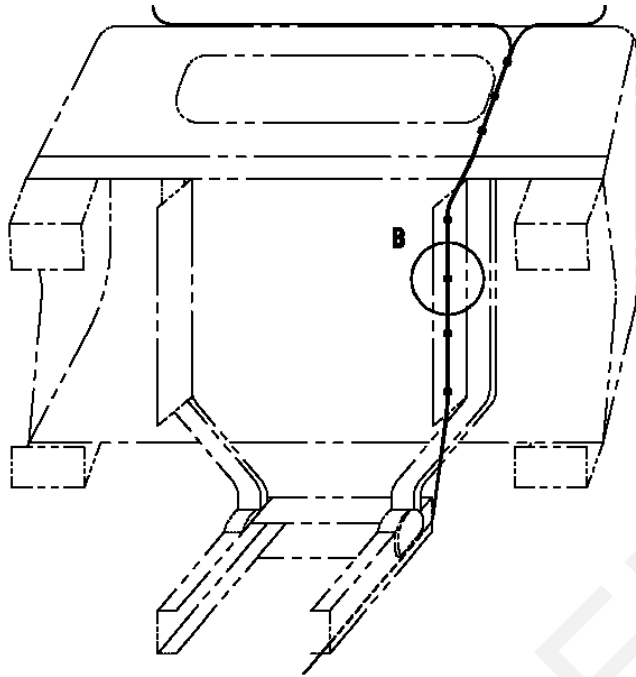


**TM-ZF360 41102210021A FRAME/SL,MANUAL**

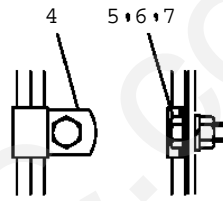
Pos No.	Parts No	Parts Name	Qty	Unit	Technical Data	Serial No (
10	36804912000	ANTENNA (FOR RADIO CONTROL)	1			

www.AutoEPC.com

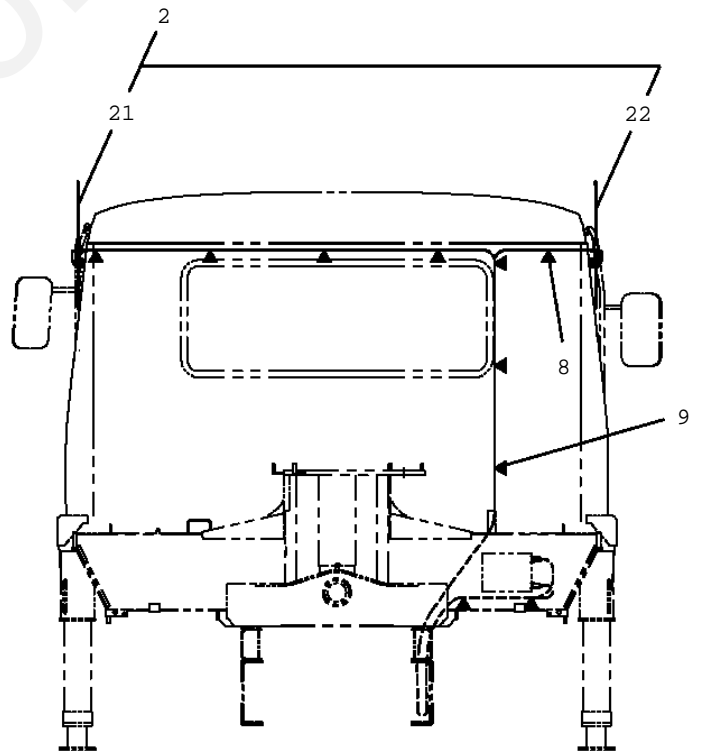
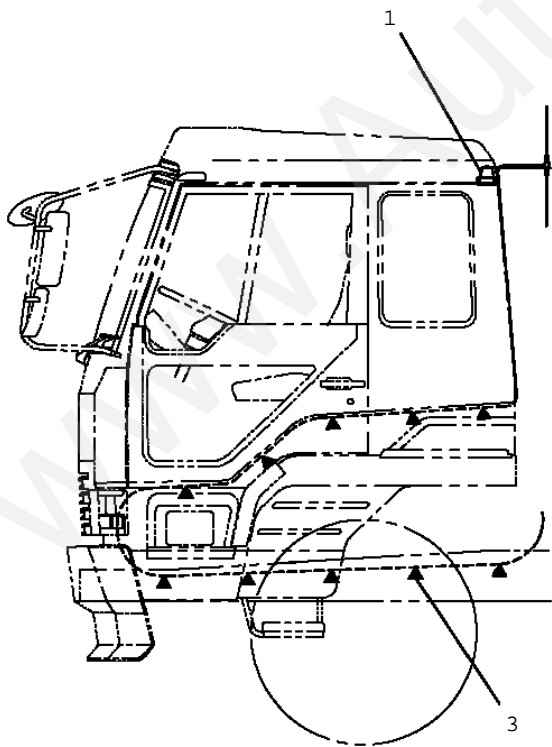
TM-ZF360 41102210021A FRAME/SL, MANUAL  
PV1410003-01 MOUNT, ANTENNA (FOR RADIO CONTROL)



**A**



**B**



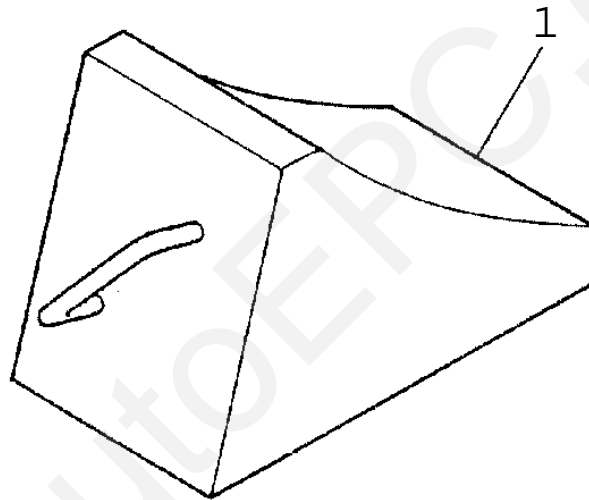
**A**

**TM-ZF360 41102210021A FRAME/SL,MANUAL**

Pos No.	Parts No	Parts Name	Qty	Unit	Technical Data	Serial No (
1	31651781000	SUPPORT	2			
2	31651782000	ANTENNA (SET)	1			
3	91810130240	FASTENER	10			
4	82100002034	CLAMP	10		WEC6	
5	90191208020	BOLT	5		M8X20	
6	90264200800	NUT	5		M8	
7	90302040801	WASHER,SPRING	5		8	
8	82401600506	CLAMP	5			
9	82401600510	CLAMP	5		10	
21	36800610000	ANTENNA (FOR RADIO CONTROL)	1			
22	36800620000	ANTENNA (FOR RADIO CONTROL)	1			

www.AutoEPC.com

TM-ZF360 41102210021A FRAME/SL,MANUAL  
PW1050010-00 STOPPER,TIRE



www.AutoEPC.com

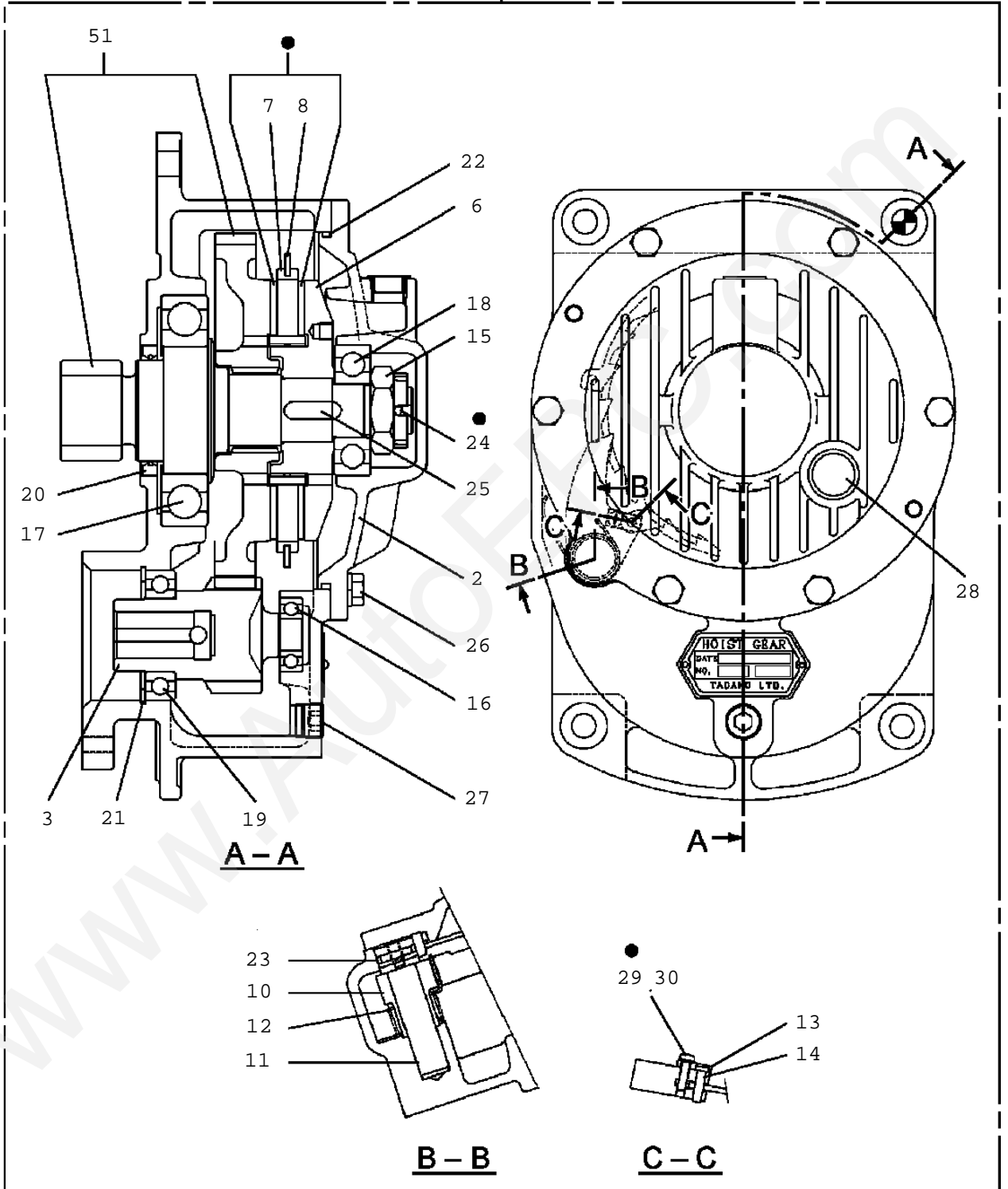


**TM-ZF360 41102210021A FRAME/SL,MANUAL**

Pos No.	Parts No	Parts Name	Qty	Unit	Technical Data	Serial No (Start)	Serial :
1	31470511000	STOPPER,TIRE	1				

www.AutoEPC.com

100



- : FACING KIT KEY NO.101 ( JAPANESE )
- : FACING KIT KEY NO.102 ( ENGLISH )



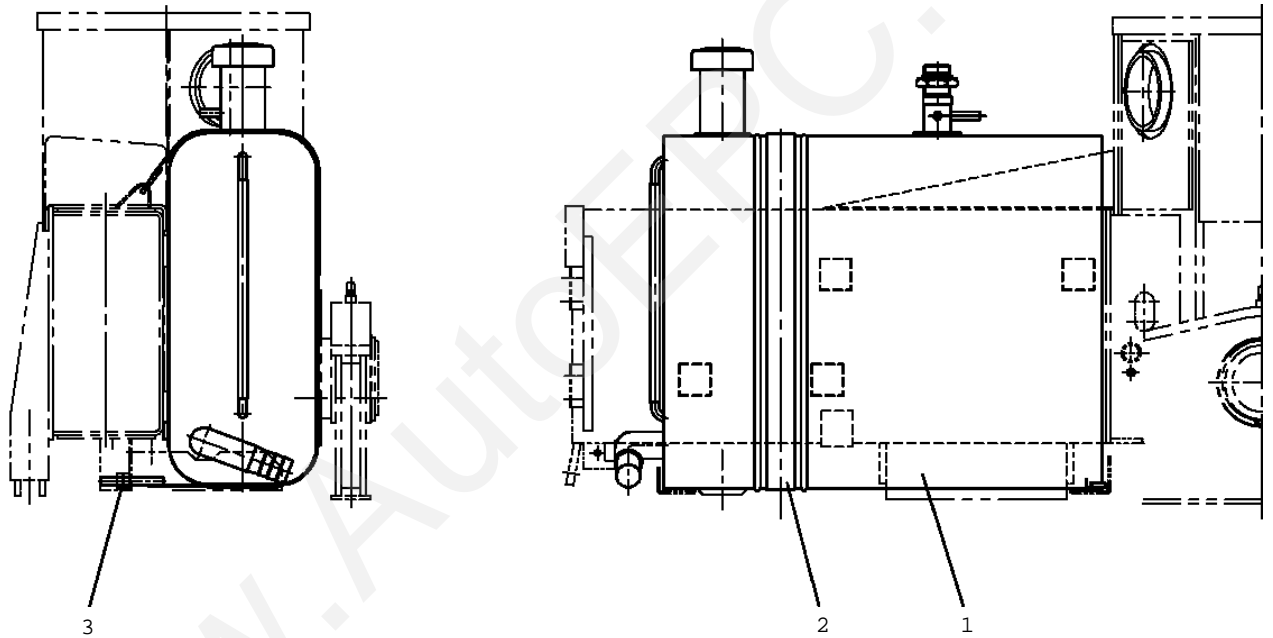
● Protective seal

● Replacement interval name plate

**TM-ZF360 41102210021A FRAME/SL,MANUAL**

Pos No.	Parts No	Parts Name	Qty	Unit	Technical Data	Serial No (Start)
2	36073085020	COVER	1			
3	36073815010	GEAR,SPUR	1			
6	36073085061	BRAKE,DISK	1			
7	36073085072	WHEEL,RATCHET	1			
8	36073085080	RING (C)	1			
10	36073085090	RATCHET	1			
11	36073085100	SHAFT	1			
12	36073085111	SPRING	1			
13	36073085120	CAP	1			
14	36073085130	PIN	1			
15	36073085140	NUT	1			
16	80500006202	BEARING,BALL	1			
17	80500006212	BEARING,BALL	1			
	80500006211	BEARING,BALL	1			KA8799
18	80500006305	BEARING,BALL	1			
19	80500006007	BEARING,BALL	1			
20	36073085150	SEAL,OIL	1			
21	80602110620	RING,RITAINING	1		R62	
22	36071195200	O-RING	1			
23	91001101500	O-RING	1		1A P15	
24	80136340040	PIN,SPLIT	1		4X40	
25	36073085160	KEY	2			
26	36073085180	BOLT (WITH SW)	6			
27	36073085200	PLUG	1			
28	36073085170	GAUGE,OIL	1			
29	80172304015	SCREW,MACHINE	1		M4X15	
30	90302040401	WASHER,SPRING	1		4	
51	36073085602	GEAR ASSY	1			
	36073085603	GEAR ASSY	1			KA8799
100	36073810000	WINCH ASSY (Y.G.TEC)	1			
101	36070441000	FACING KIT (JAPANESE)	1			
102	36070442000	FACING KIT (ENGLISH)	1			

TM-ZF360 41102210021A FRAME/SL, MANUAL  
PX1100157-00 TANK SUPPORT INSTALLATION

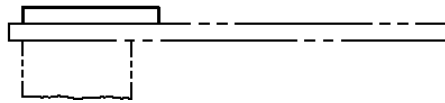
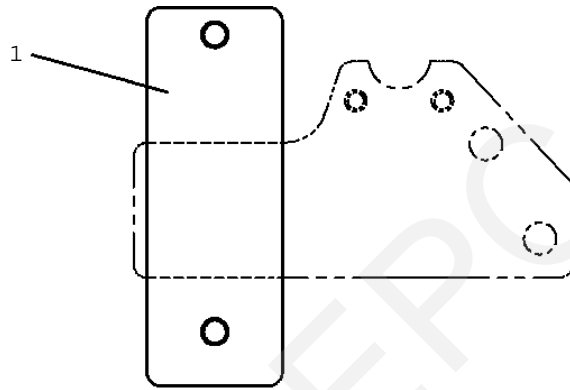


**TM-ZF360 41102210021A FRAME/SL,MANUAL**

Pos No.	Parts No	Parts Name	Qty	Unit	Technical Data	Serial No (Start)	Serial No
1	36101890000	TANK,OIL	1				
2	31660320100	BAND	1				
3	90201201000	NUT	2		M10		

www.AutoEPC.com

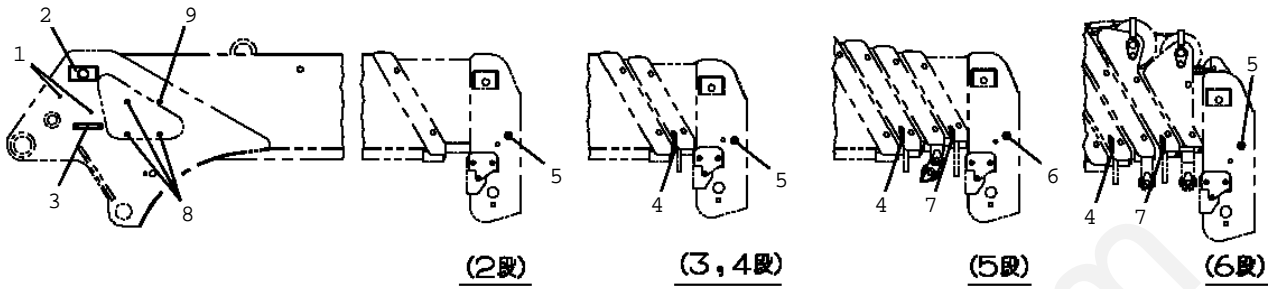
TM-ZF360 41102210021A FRAME/SL, MANUAL  
PX1940004-00 MOUNT



**TM-ZF360 41102210021A FRAME/SL, MANUAL**

Pos No.	Parts No	Parts Name	Qty	Unit	Technical Data	Serial No (Start)	Serial No
1	31476086100	SUPPORT	1				

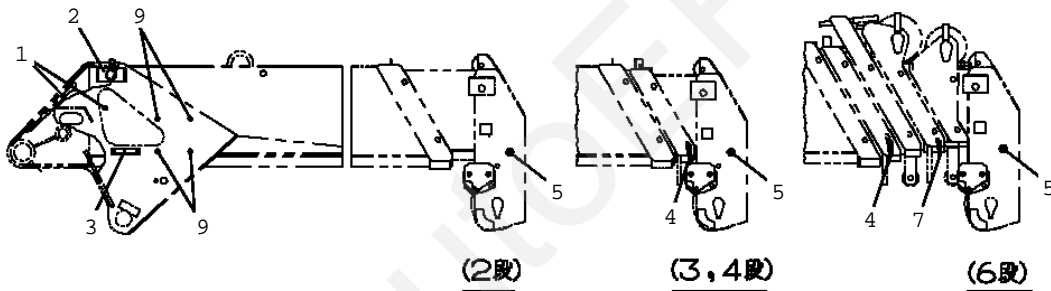
www.AutoEPC.com



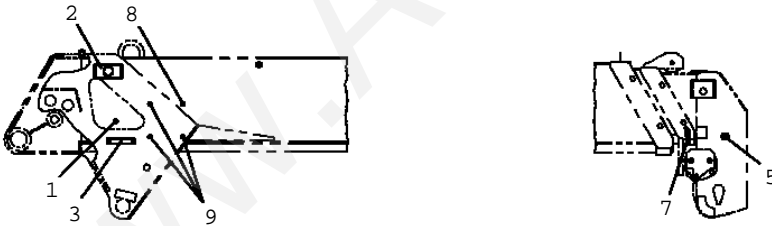
ZR230, 230W, 263Jの場合

ZR505, 555の場合

ZRの場合

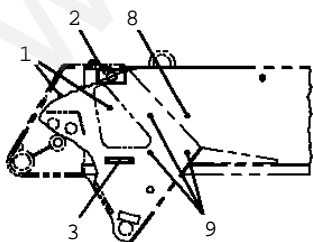


ZF300, 360, 500 (2~6段) の場合



ZF230, 260, 290, 300J (2~4段), 263Jの場合

ZF263, 293, 303Jの場合



ZF260, 290, 300J (5, 6段) の場合

ZFの場合

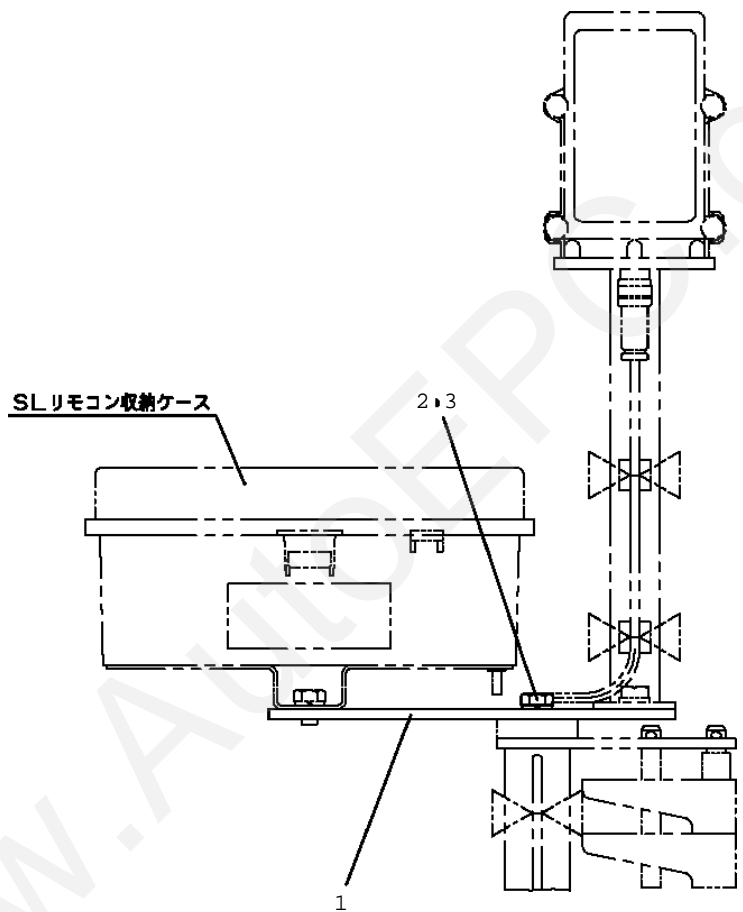


**TM-ZF360 41102210021A FRAME/SL,MANUAL**

Pos No.	Parts No	Parts Name	Qty	Unit	Technical Data	Serial No (Start)	Serial No
1	90190000008	BOLT,STUD	2		M6X20		
2	31360202500	SUPPORT	2				
3	31360742500	SUPPORT	1				
4	31360192900	SUPPORT	1		L=55		
5	37001601290	NUT	1		M12		
6	31360742700	NUT	1		M12		
7	31360003020	SUPPORT	1		L=63		
8	37001601010	NUT	3				
9	90288106030	NUT	3		M6X30		

www.AutoEPC.com

TM-ZF360 41102210021A FRAME/SL, MANUAL  
PX5010072-00 MOUNT ASSY (ANTENNA)

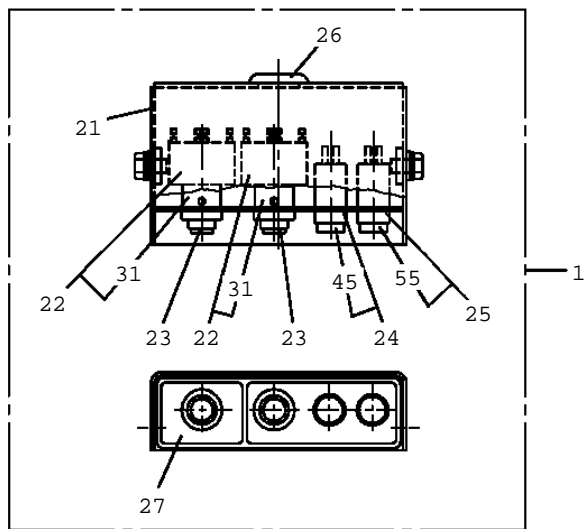
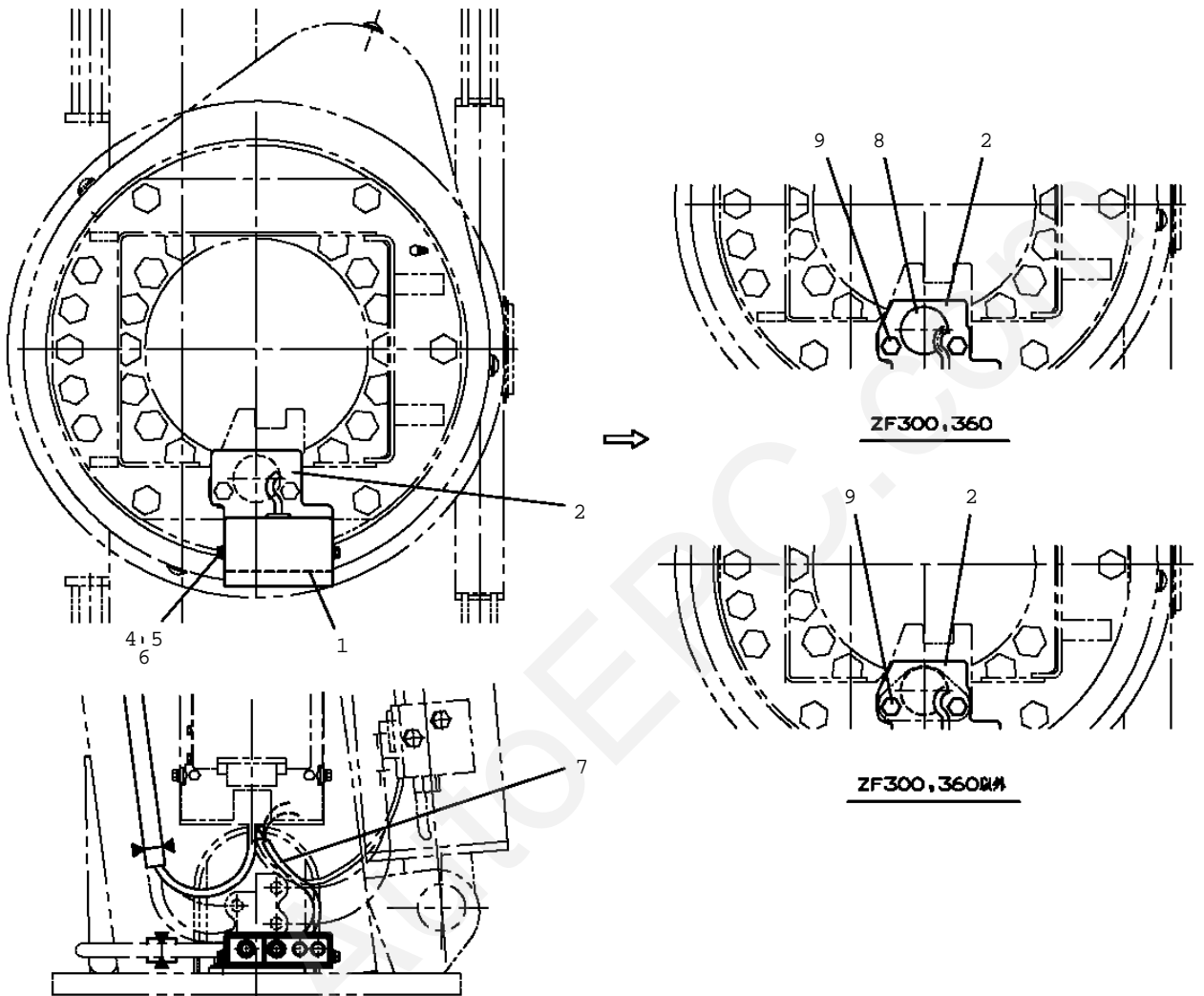


**TM-ZF360 41102210021A FRAME/SL,MANUAL**

Pos No.	Parts No	Parts Name	Qty	Unit	Technical Data	Serial No (Start)	Serial
1	31653170100	SUPPORT	1				
2	90101210030	BOLT	2		M10X30		
3	90302041001	WASHER, SPRING	2		10		

www.AutoEPC.com

TM-ZF360 41102210021A FRAME/SL, MANUAL  
 PY1250015-01 SWITCH INSTALLATION (BML)



**TM-ZF360 41102210021A FRAME/SL,MANUAL**

Pos No.	Parts No	Parts Name	Qty	Unit	Technical Data	Serial No (Star
1	31360205601	SWITCH ASSY	1			
2	31360205801	SUPPORT	1			
4	90101206010	BOLT	2		M6X1.0	
5	90302040601	WASHER, SPRING	2		6	
6	90303070601	WASHER, PLAIN	2		6	
7	31360205902	HARNESS	1			
21	31360205702	SUPPORT	1			
22	31473744150	SWITCH ASSY	2			
23	82197600101	CAP (BLACK)	2			
24	42433333400	LAMP ASSY (GREEN) <24V)	1			
25	42433333300	LAMP ASSY (RED)<24V)	1			
26	82400000076	GROMMET	1			
27	31360205611	PLATE, NAME	1			
31	82101419002	SWITCH, PUSH	2			
45	82100002463	LAMP, PILOT (GREEN)	1			
55	82100002462	LAMP, PILOT (RED)	1			

www.AutoEPC.com

TM-ZF360 41102210021A FRAME/SL,MANUAL  
PY1560022-01 ALARM SYSTEM

指示番号 KEY NO.	アラーム システム (キフク&アウトリカ <sup>*</sup> カクノウワスレ) ALARM SYSTEM
1	ハイセンASSY (クレーンホンタイプ <sup>*</sup> ) ELEC. ASSY (CRANE)
2	ハイセンASSY (カソウシヤリヨウブ <sup>*</sup> ) ELEC. ASSY (CARRIER)
4	プレート ASSY, ネーム PLATE ASSY, NAME

**TM-ZF360 41102210021A FRAME/SL,MANUAL**

Pos No.	Parts No	Parts Name	Qty	Unit	Technical Data	Serial No (St
1	(***** )	ELEC.ASSY (ALARM,UPPER)	1			
2	(***** )	ELEC.ASSY (ALARM,LOWER)	1			
4	(***** )	PLATE ASSY,NAME	1			

www.AutoEPC.com

TM-ZF360 41102210021A FRAME/SL,MANUAL  
PY1560023-01 ALARM SYSTEM

指示番号 KEY NO.	アラーム システム (キフク&O/Rカクノウスレ:ハ <sup>o</sup> -キング <sup>o</sup> SWレント <sup>o</sup> ウ) ALARM SYSTEM
1	ハイセンASSY (クレーンホンタイプ) ELEC.ASSY (CRANE)
2	ハイセンASSY (カソウシャリヨウフ) ELEC.ASSY (CARRIER)
5	プレート ASSY,ネーム PLATE ASSY,NAME



**TM-ZF360 41102210021A FRAME/SL,MANUAL**

Pos No.	Parts No	Parts Name	Qty	Unit	Technical Data	Serial No (St
1	(***** )	ELEC.ASSY (ALARM,UPPER)	1			
2	(***** )	ELEC.ASSY	1			
5	(***** )	PLATE ASSY,NAME	1			

www.AutoEPC.com

指示番号 KEY NO.	アラーム システム (カクノウスレオンセイ) ALARM SYSTEM
1	ハイセンASSY (クレーンホンタイプ*) ELEC. ASSY (CRANE)
2	ハイセンASSY (カソウシヤリヨウブ*) ELEC. ASSY (CARRIER)

**TM-ZF360 41102210021A FRAME/SL,MANUAL**

Pos No.	Parts No	Parts Name	Qty	Unit	Technical Data	Serial No (St
1	(***** )	ELEC.ASSY (ALARM,UPPER)	1			
2	(***** )	ELEC.ASSY (CARRIER)	1			

www.AutoEPC.com

TM-ZF360 41102210021A FRAME/SL,MANUAL  
PY1560025-01 ALARM SYSTEM

指示番号 KEY NO.	アラーム システム (キフクカクノウスレオンセイ) ALARM SYSTEM
1	ハイセンASSY (クレーンホンタイプ) ELEC. ASSY (CRANE)
2	ハイセンASSY (カソウシヤリヨウブ) ELEC. ASSY (CARRIER)
4	プレート ASSY, ネーム PLATE ASSY, NAME

**TM-ZF360 41102210021A FRAME/SL,MANUAL**

Pos No.	Parts No	Parts Name	Qty	Unit	Technica
1	(*****)	ELEC.ASSY (ALARM,UPPER)	1		
2	(*****)	ELEC.ASSY (CARRIER)	1		
4	(*****)	PLATE ASSY,NAME (BOOM,ELEV. STOWING FAILURE)	1		

www.AutoEPC.com

指示番号 KEY NO.	アラーム システム (キフクカクノウスレ) ALARM SYSTEM
1	ハイセンASSY (クレーンホンタイプ) ELEC.ASSY (CRANE)
2	ハイセンASSY (カソウシャリヨウブ) ELEC.ASSY (CARRIER)
4	プレート ASSY,ネーム PLATE ASSY,NAME

**TM-ZF360 41102210021A FRAME/SL,MANUAL**

Pos No.	Parts No	Parts Name	Qty	Unit	Technica
1	(*****)	ELEC.ASSY (ALARM,UPPER)	1		
2	(*****)	ELEC.ASSY (ALARM,LOWER)	1		
4	(*****)	PLATE ASSY,NAME (BOOM,ELEV. STOWING FAILURE)	1		

www.AutoEPC.com

TM-ZF360 41102210021A FRAME/SL,MANUAL  
PY1560027-01 ALARM SYSTEM

指示番号 KEY NO.	アラーム システム (キフクカクノウスレ:SWツキPTOケーブル ルタイオウ) ALARM SYSTEM
1	ハイセンASSY (クレーンホンタイプ ) ELEC.ASSY (CRANE)
2	ハイセンASSY (カソウシャリヨウフ ) ELEC.ASSY (CARRIER)
4	プレート ASSY,ネーム PLATE ASSY,NAME

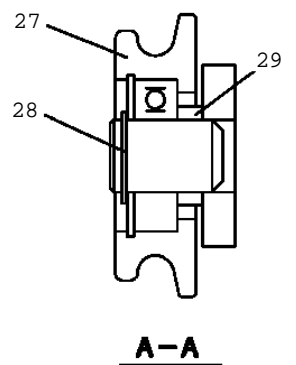
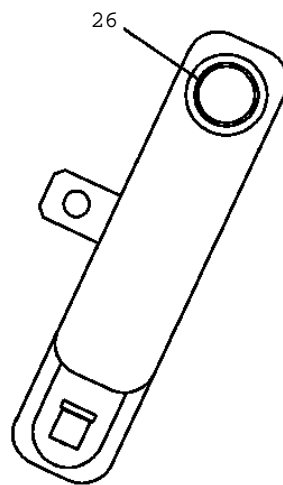
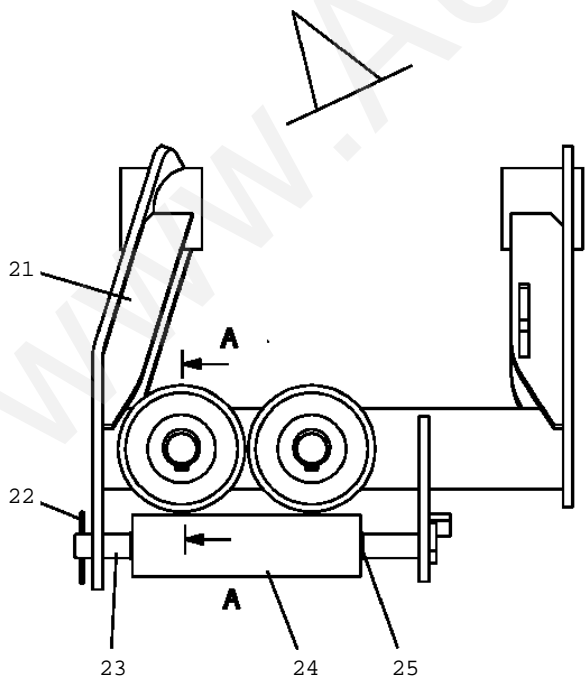
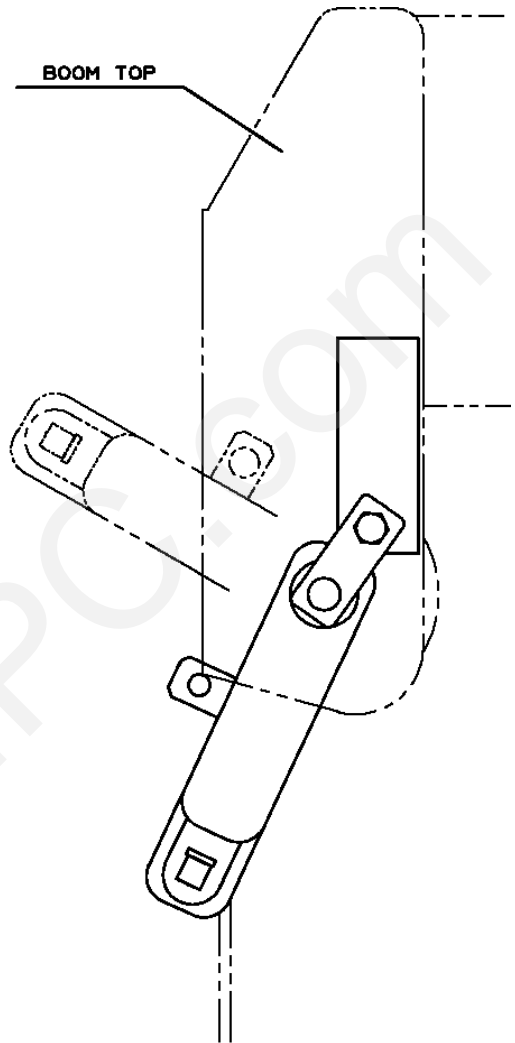
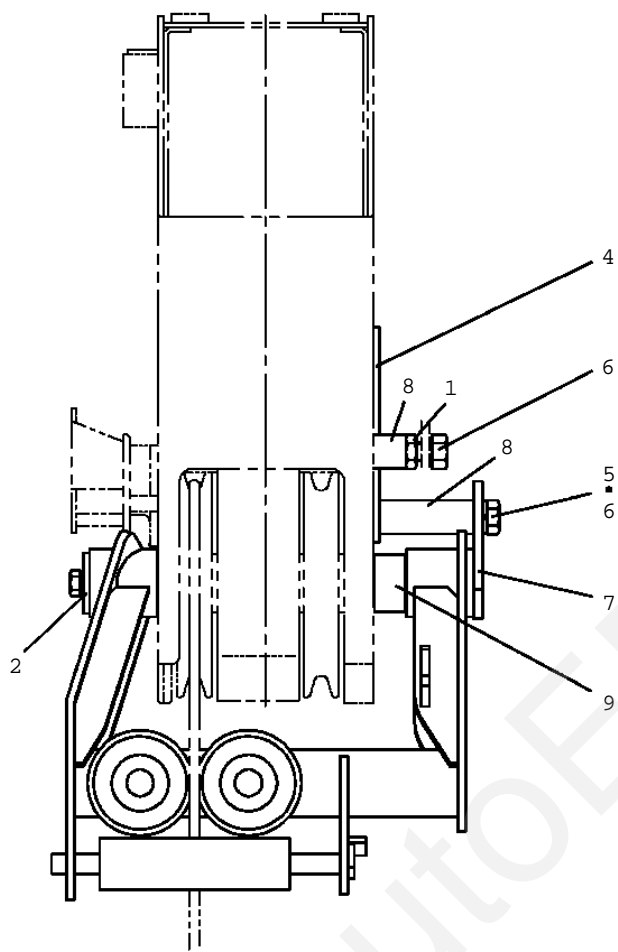


**TM-ZF360 41102210021A FRAME/SL,MANUAL**

Pos No.	Parts No	Parts Name	Qty	Unit	Technica
1	(***** )	ELEC.ASSY (ALARM,UPPER)	1		
2	(***** )	ELEC.ASSY (LOWAR)	1		
4	(***** )	PLATE ASSY,NAME (BOOM,ELEV. STOWING FAILURE)	1		

www.AutoEPC.com

TM-ZF360 41102210021A FRAME/SL, MANUAL  
PY2060002-00 ROPE, GUIDE (OPTION)



**TM-ZF360 41102210021A FRAME/SL,MANUAL**

Pos No.	Parts No	Parts Name	Qty	Unit	Technical Data	Serial No (Start)	Serial No (End)
1	90203201400	NUT	1		M14		
2	31200030530	PLATE	1				
4	37000532240	PLATE	1				
5	90302041401	WASHER,SPRING	1		14		
6	90101514030	BOLT	2		M14X30		
7	31471731600	PIN	1				
8	31440231300	SUPPORT	1				
9	37000304270	SPACER	1		L=71		
21	31440231200	GUIDE	1				
22	80620210160	PIN,SNAP	1				
23	31471731200	PIN	1				
24	37001102960	ROLLER ASSY	1				
25	80601110150	RING,RITAINING	2		15		
26	80804035050	BUSH	2				
27	31471731500	SHEAVE ASSY	2				
28	80601110200	RING,RITAINING	2		S20		
29	37000300240	SPACER	2		L=7		

www.AutoEPC.com

TM-ZF360 41102210021A FRAME/SL,MANUAL  
PY2060004-00 ROPE,GUIDE

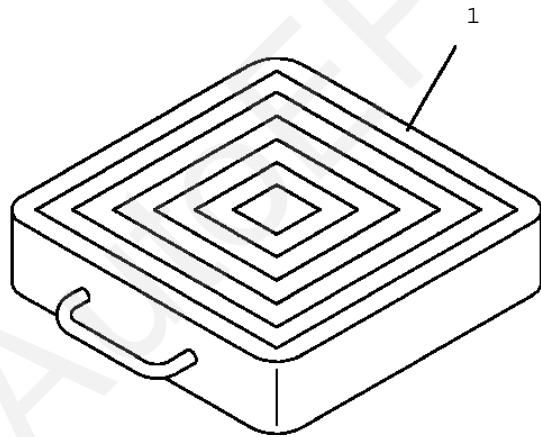
1	ロープ , ガイド ROPE , GUIDE
2	フック HOOK
3	ディテクタ , オーバークラウド DETECTOR , OVERWIND

**TM-ZF360 41102210021A FRAME/SL,MANUAL**

Pos No.	Parts No	Parts Name	Qty	Unit	Technical Data	Serial
1	(***** )	ROPE,GUIDE (OPTION)	1			
2	(***** )	HOOK	1			
3	(***** )	DETECTOR,OVER WINDING (OPTION)	1			

www.AutoEPC.com

TM-ZF360 41102210021A FRAME/SL, MANUAL  
PY2340011-00 PLATE (355X355,H=80)



www.AUTOPC.com

**TM-ZF360 41102210021A FRAME/SL,MANUAL**

Pos No.	Parts No	Parts Name	Qty	Unit	Technical Data	Serial No (Start)	Serial No
1	42474201000	BLOCK	1		355X355,H=80		

www.AutoEPC.com

販売部品 検討中につき、イラストはありません。

Parts for sale : Under consideration now.  
Therefore not illustrated.

---



**TM-ZF360 41102210021A FRAME/SL,MANUAL**

Pos No.	Parts No	Parts Name	Qty	Unit	Technical Data	S
1	(***** )	PARTS,AWL (2-4 SECT./RADICON OR MH)	1			
11	(***** )	ELEC.ASSY	1			
12	(***** )	PIPING (VALVA,MANUALCONTOROL)	1			
14	(***** )	PLATE ASSY,NAME	1			

www.AutoEPC.com

販売部品 検討中につき、イラストはありません。

Parts for sale : Under consideration now.  
Therefore not illustrated.

---

**TM-ZF360 41102210021A FRAME/SL,MANUAL**

Pos No.	Parts No	Parts Name	Qty	Unit	Technical Data	S
1	(***** )	PARTS,AWL (5,6 SECT./RADICON OR MH)	1			
11	(***** )	ELEC.ASSY	1			
12	(***** )	PIPING (VALVA,MANUALCONTOROL)	1			
14	(***** )	PLATE ASSY,NAME	1			

www.AutoEPC.com